

[54] **COFFEE MAKING MACHINE**

[75] **Inventor:** Florian Seiffert, Wiesbaden, Fed. Rep. of Germany
[73] **Assignee:** Robert Krups Stiftung & Co. KG., Solingen, Fed. Rep. of Germany
[**] **Term:** 14 Years
[21] **Appl. No.:** 753,303
[22] **Filed:** Jul. 10, 1985

[30] **Foreign Application Priority Data**

Jan. 10, 1985 [DE] Fed. Rep. of Germany ... 5 MR 9545

[52] **U.S. Cl.** D7/309; D7/310; D7/311

[58] **Field of Search** D7/309, 310, 305, 300, D7/312, 311, 397-401; 99/300, 286, 305, 284, 279

[56] **References Cited**

U.S. PATENT DOCUMENTS

D. 238,722	2/1976	Black	D7/309
D. 292,258	10/1987	Diefenbach	D7/309
4,204,465	5/1980	Knecht	99/300 X
4,508,023	4/1985	Naya et al.	99/284 X
4,644,856	2/1987	Borgmann	D7/309 X

OTHER PUBLICATIONS

Form 100, IV-1982, p. 90, Krups Espresso, Beverage Machine shown.

Bloomingtondale's Living Color, p. 14, item "H", bottom r. panel—Maxim's Espresso-Cappuccino Machine.

HFD-Retailing Home Furnishings, May 4, 1981, p. 28, Section One, middle left panel, "Robot-Coupe" Cappuccino-Espresso Maker.

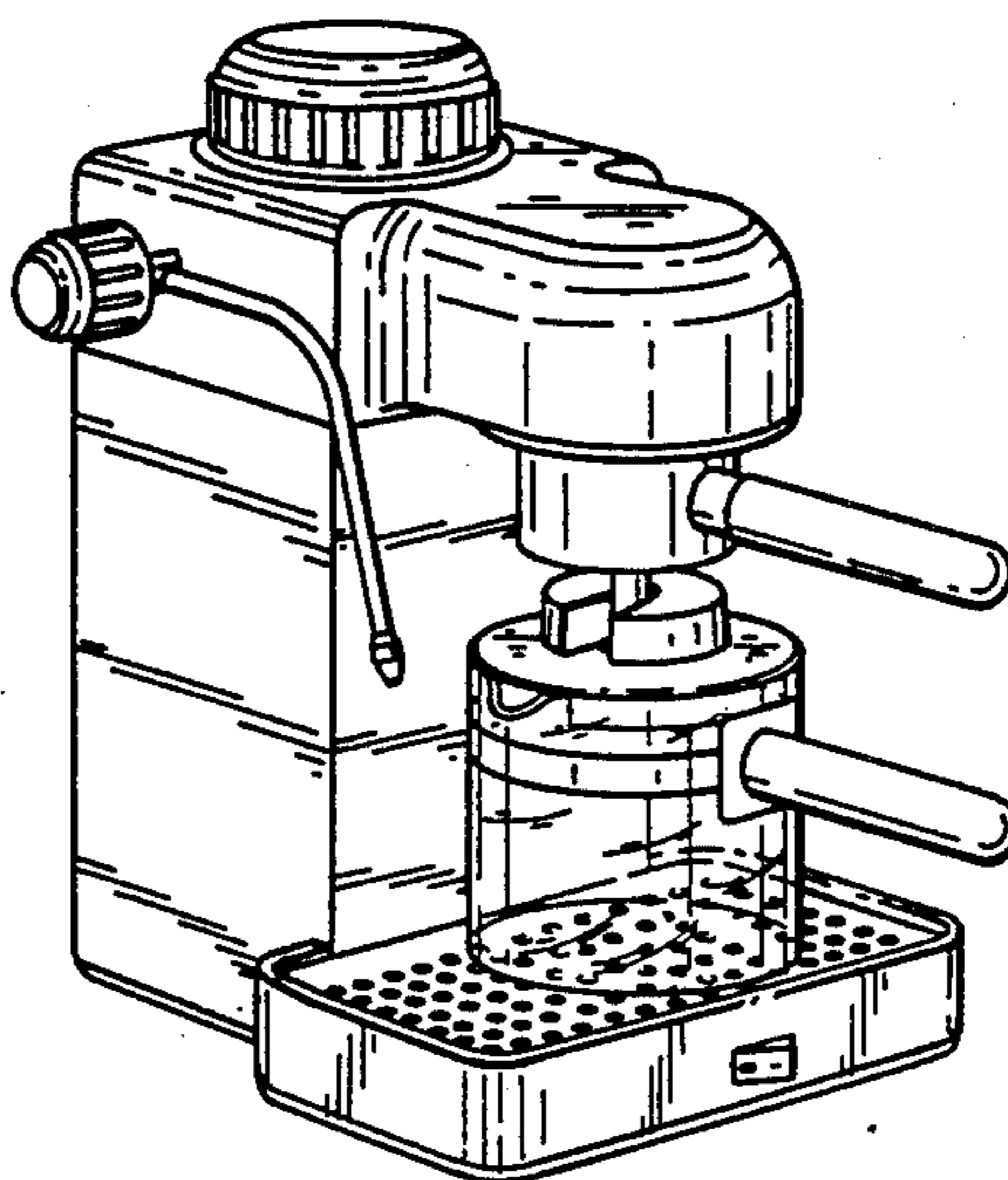
Primary Examiner—Winifred E. Herrmann
Attorney, Agent, or Firm—Peter K. Kontler

[57] **CLAIM**

The ornamental design for a coffee making machine, as shown.

DESCRIPTION

FIG. 1 is a front left side perspective view of a coffee making machine showing my new design;
FIG. 2 is a front right side perspective view thereof;
FIG. 3 is a rear left side perspective view thereof;
FIG. 4 is a rear right side perspective view thereof;
FIG. 5 is a left side elevational view thereof;
FIG. 6 is a top plan view thereof;
FIG. 7 is a bottom plan view thereof;
FIG. 8 is a front elevational view thereof;
FIG. 9 is a rear elevational view thereof; and
FIG. 10 is a right side elevational view thereof.



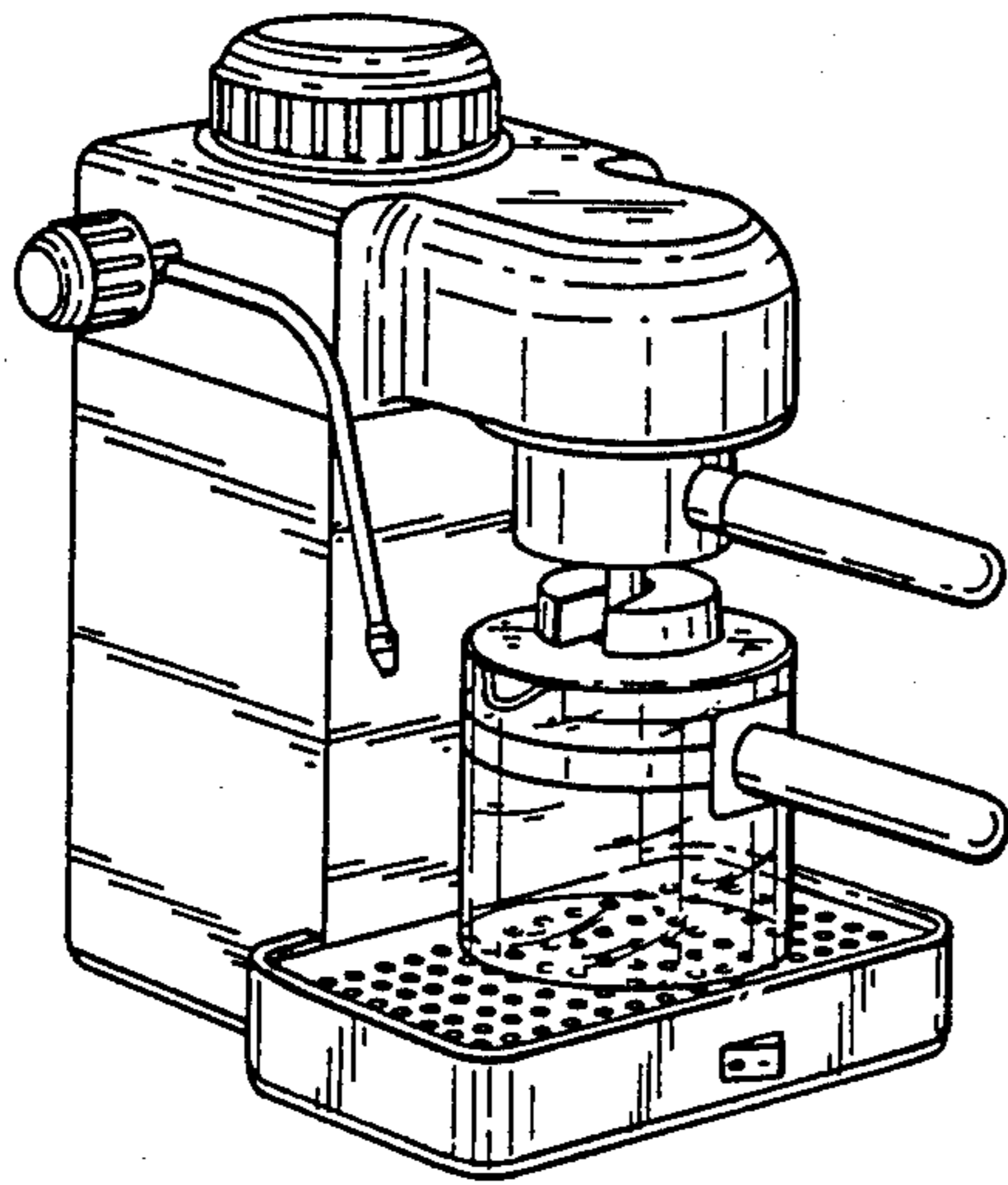


FIG. 1

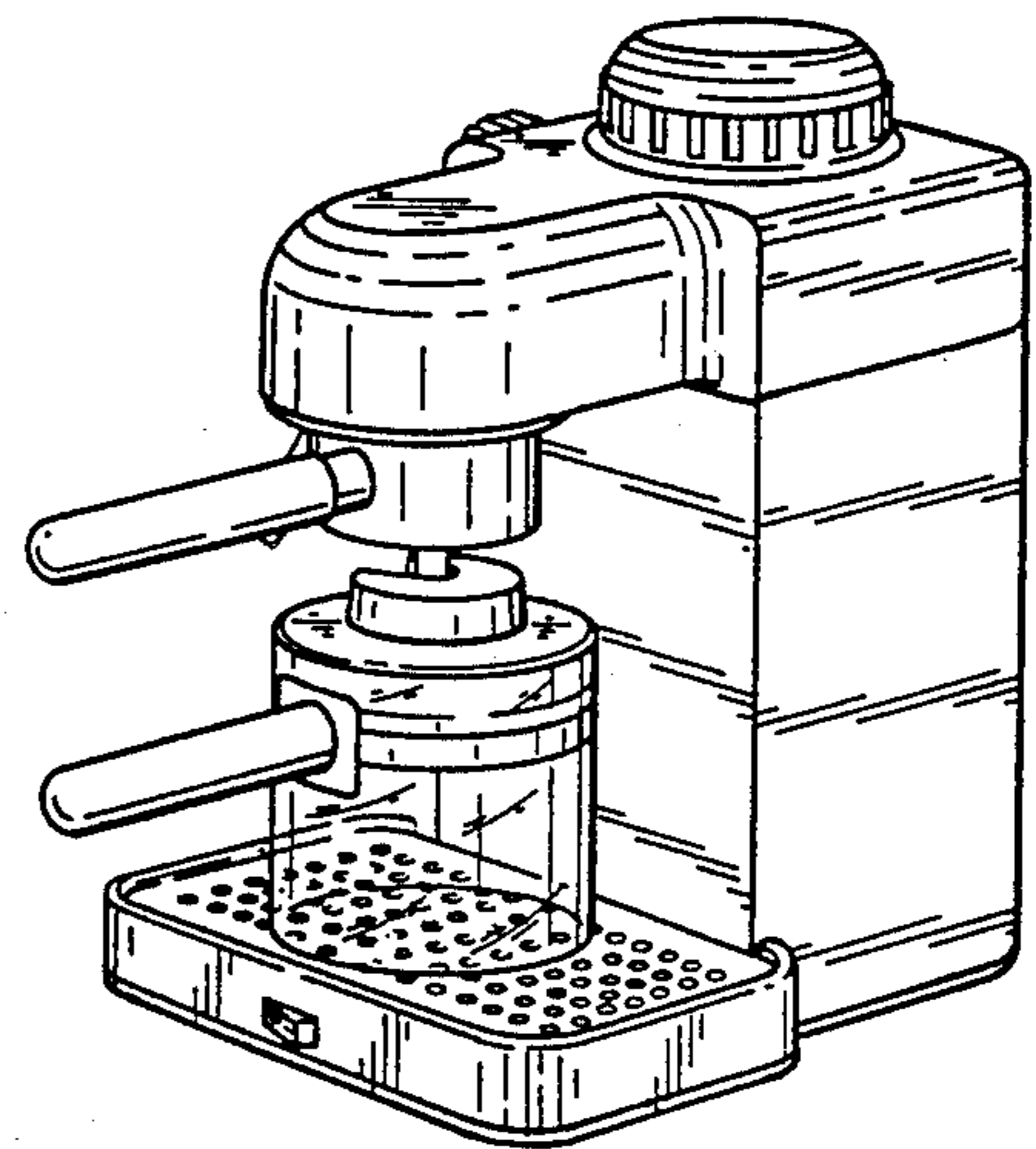


FIG. 2

FIG. 3

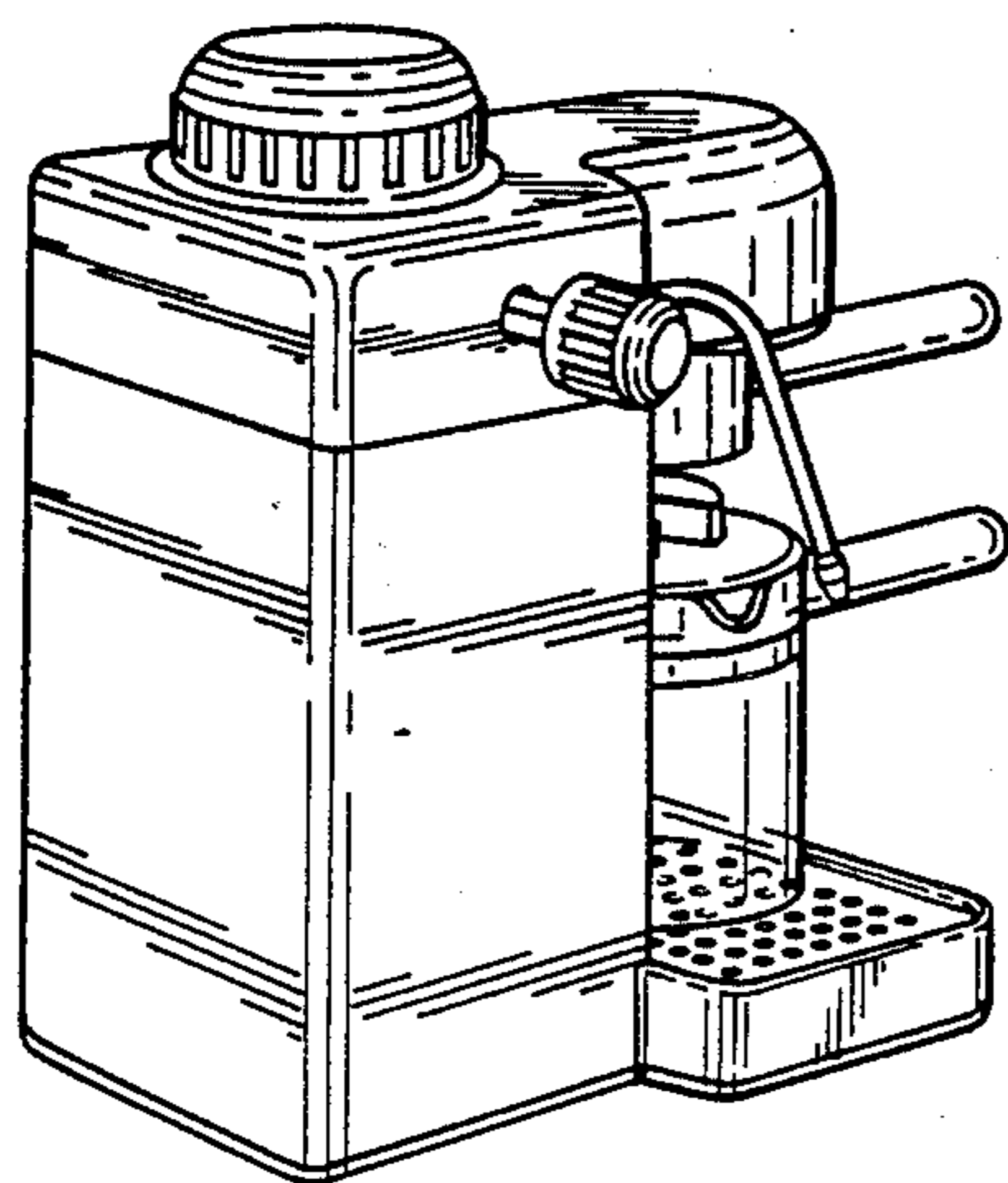


FIG. 4

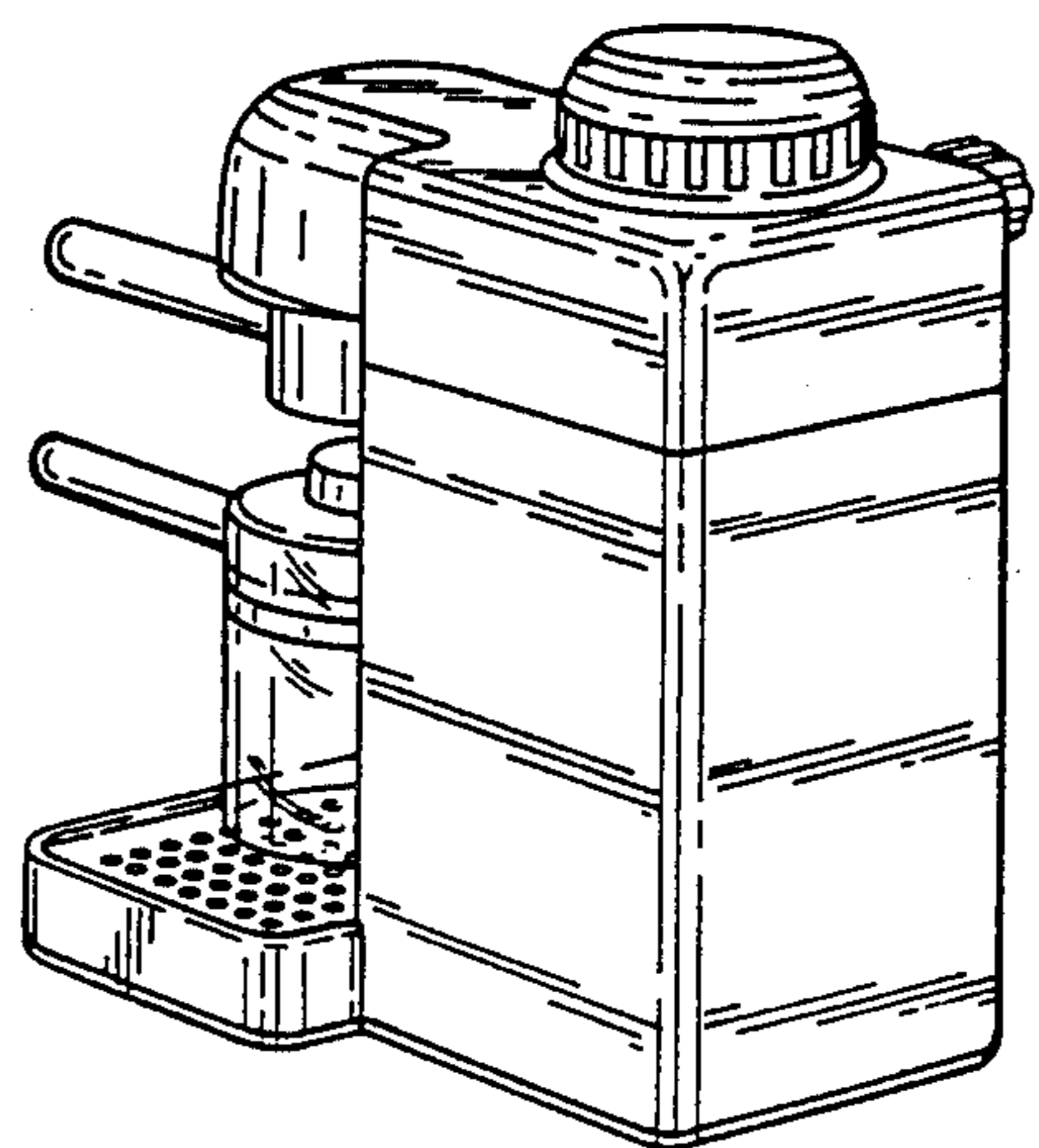


FIG. 5

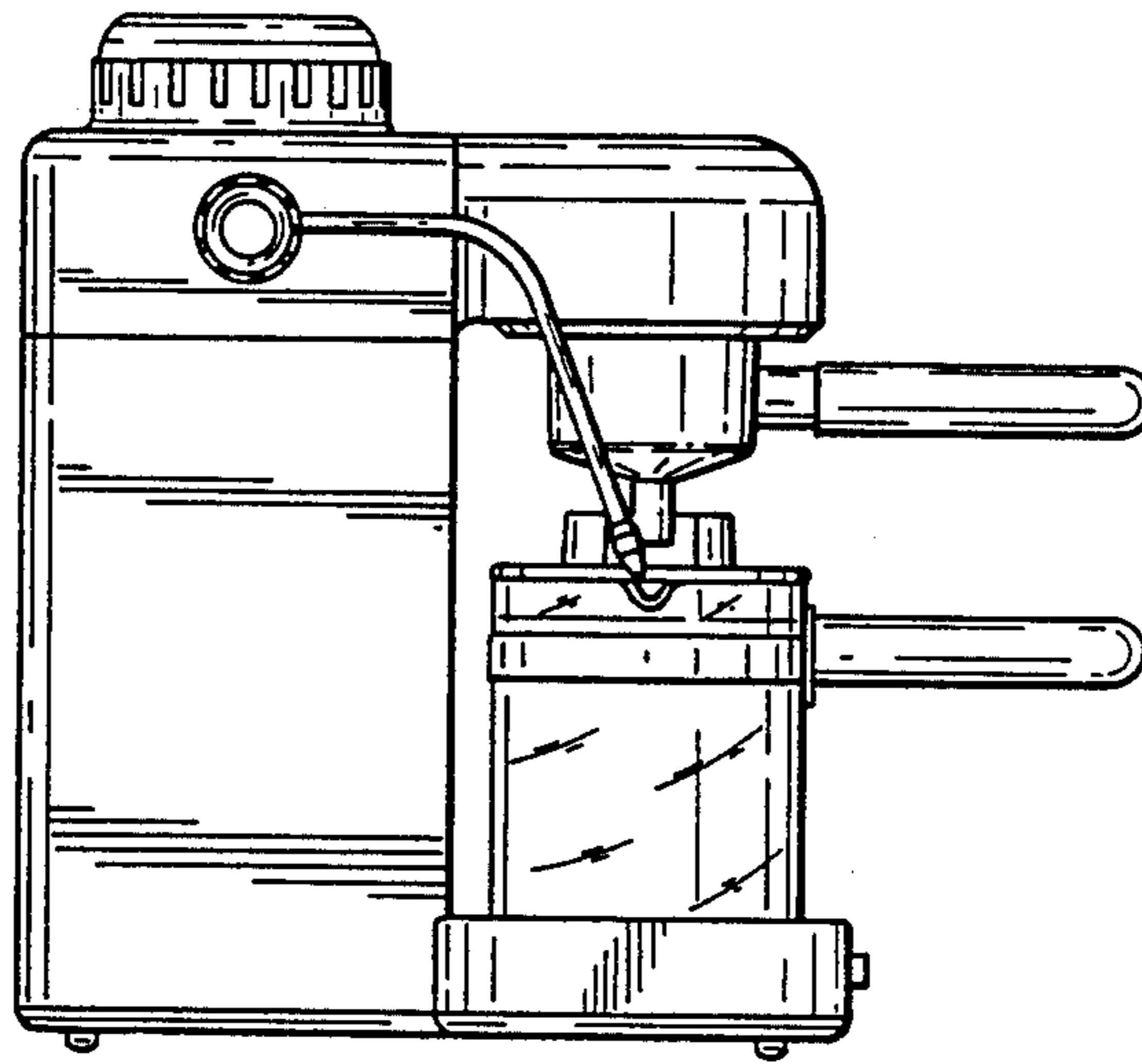


FIG. 6

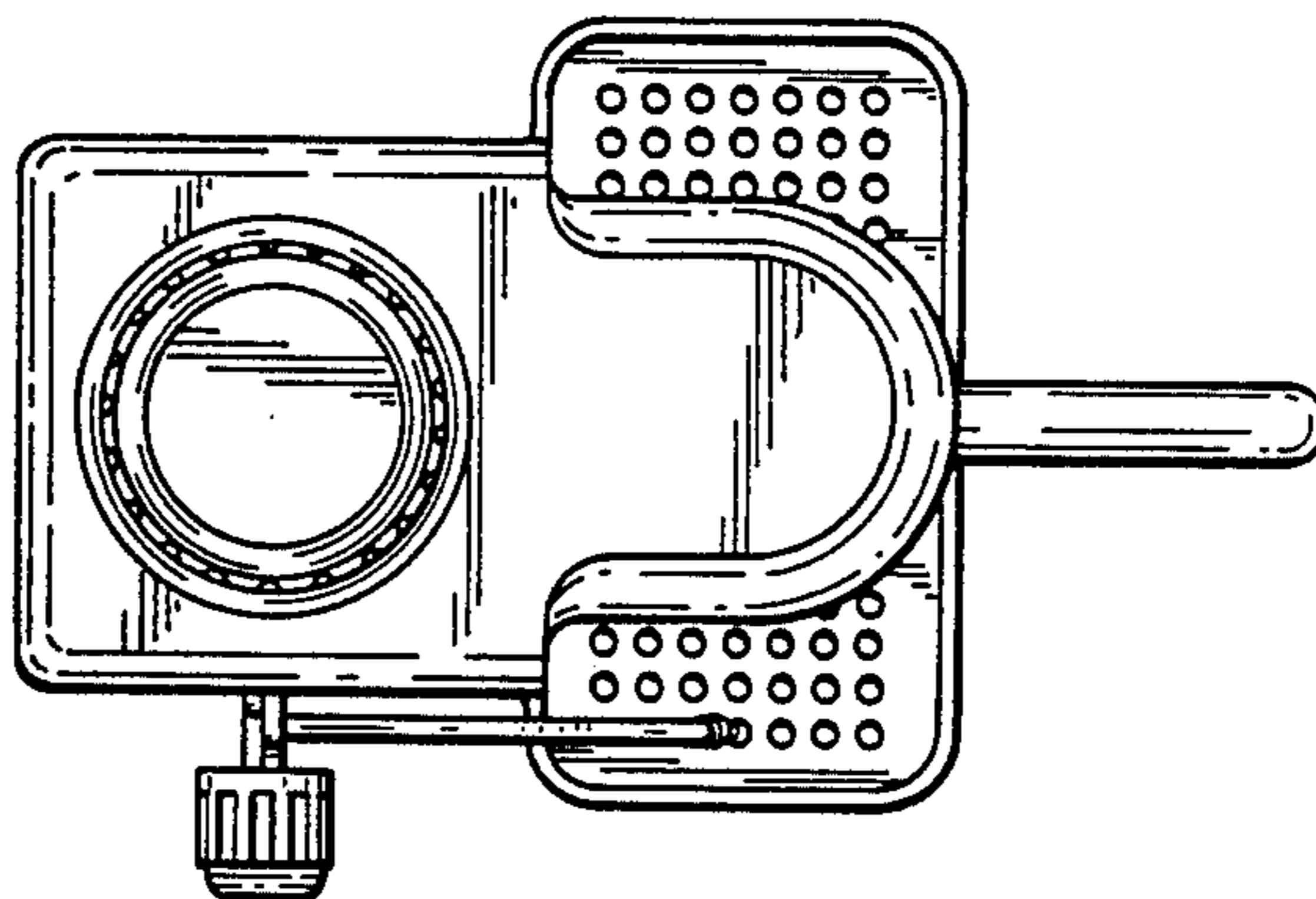
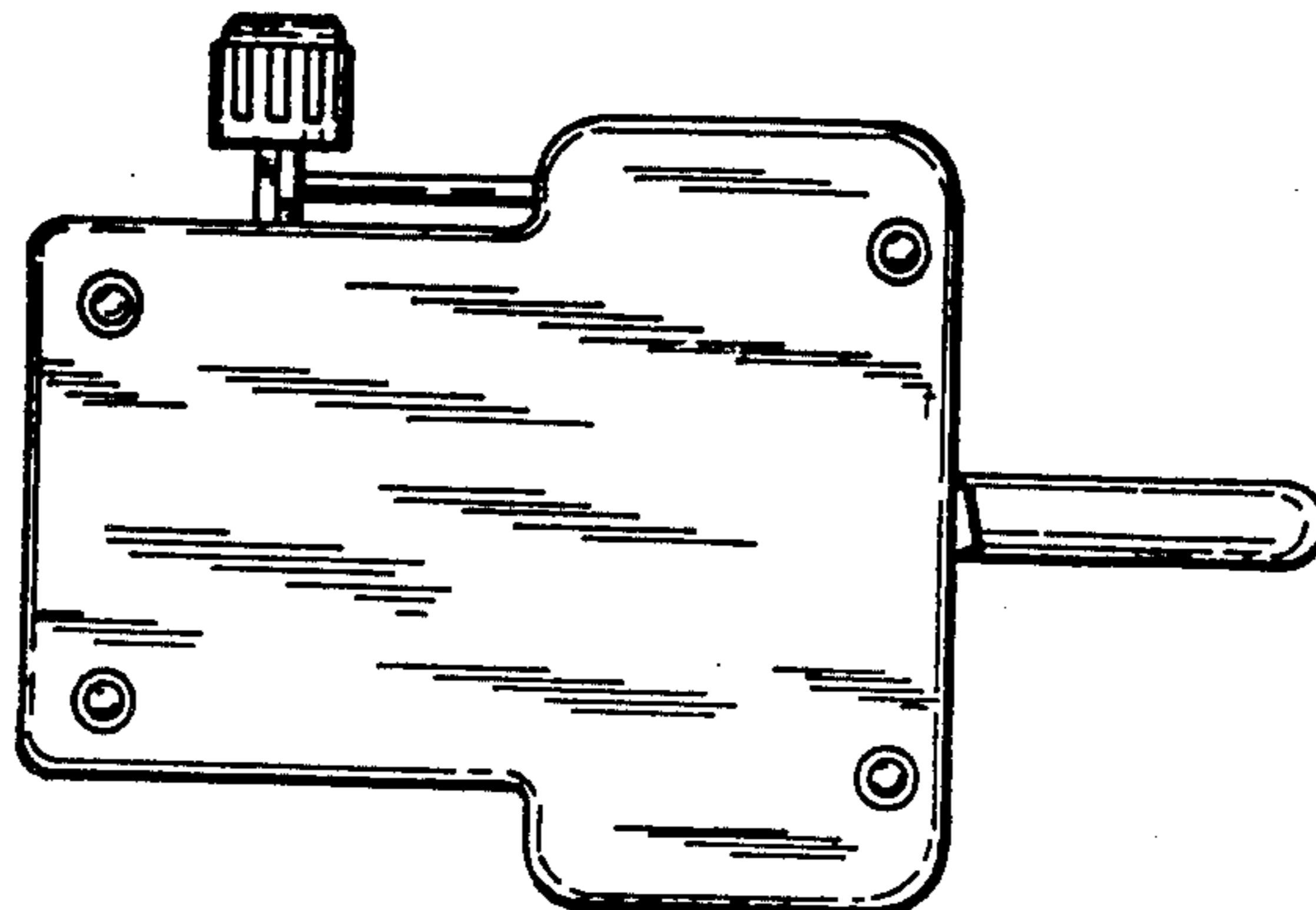


FIG. 7



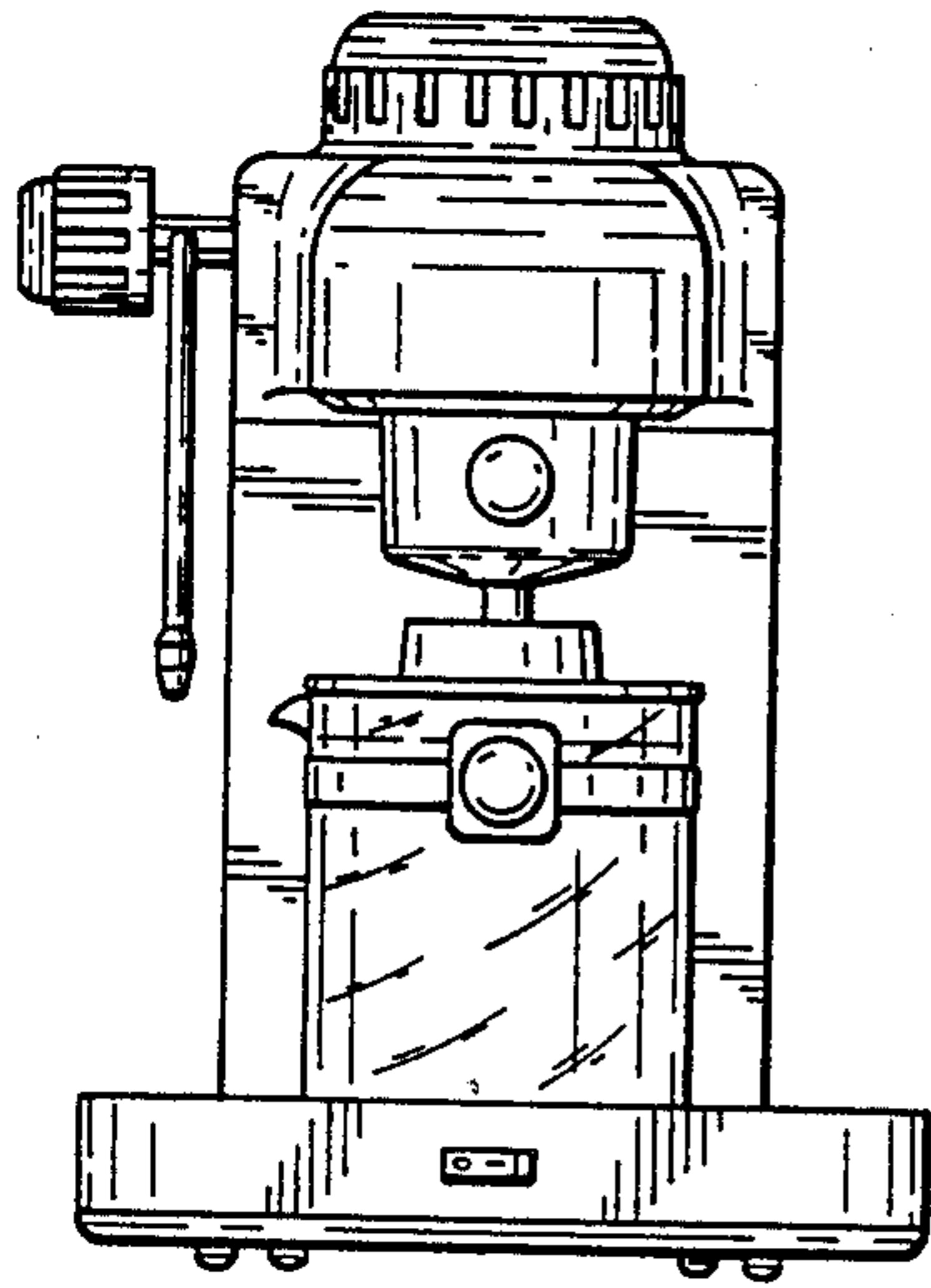


FIG. 8

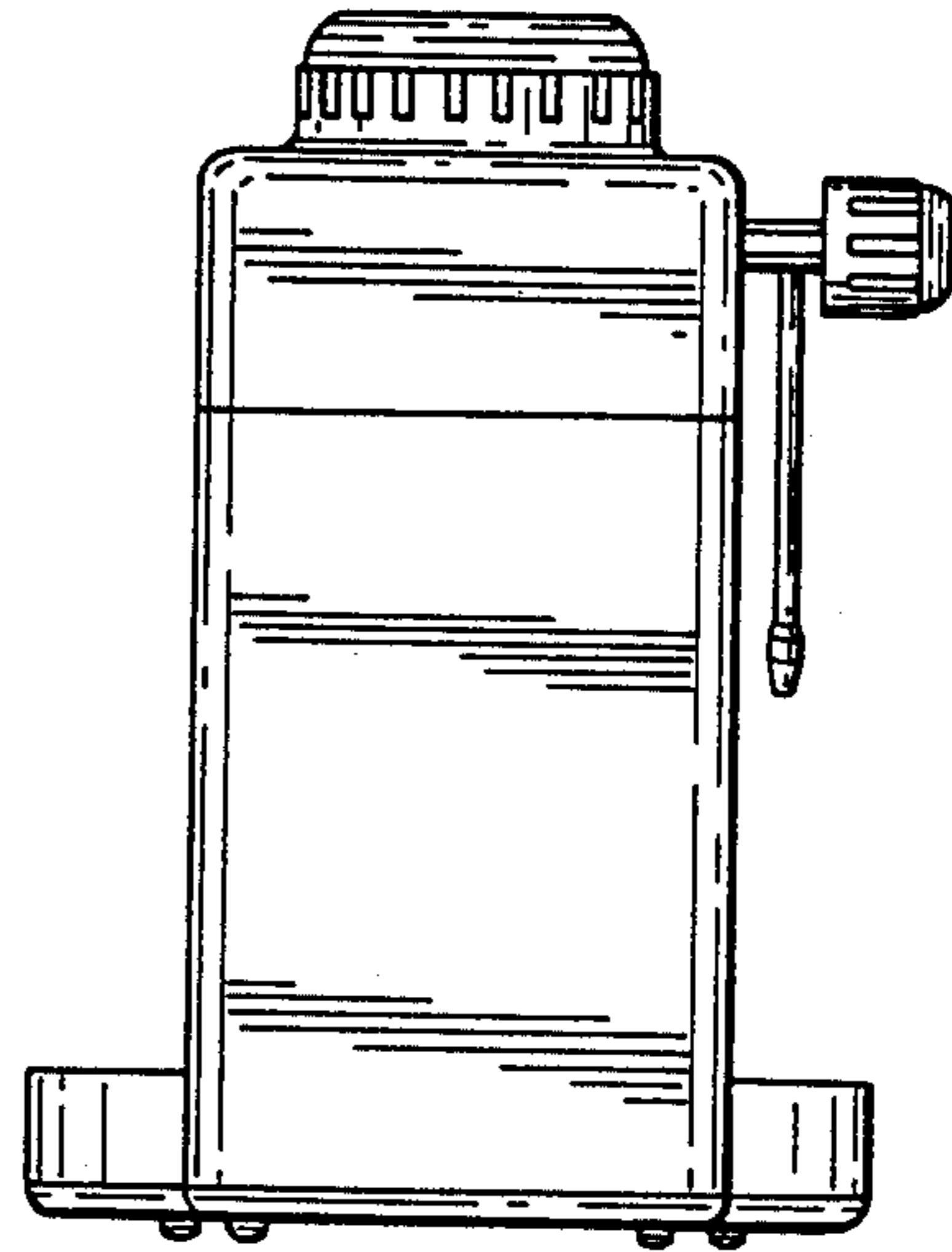


FIG. 9

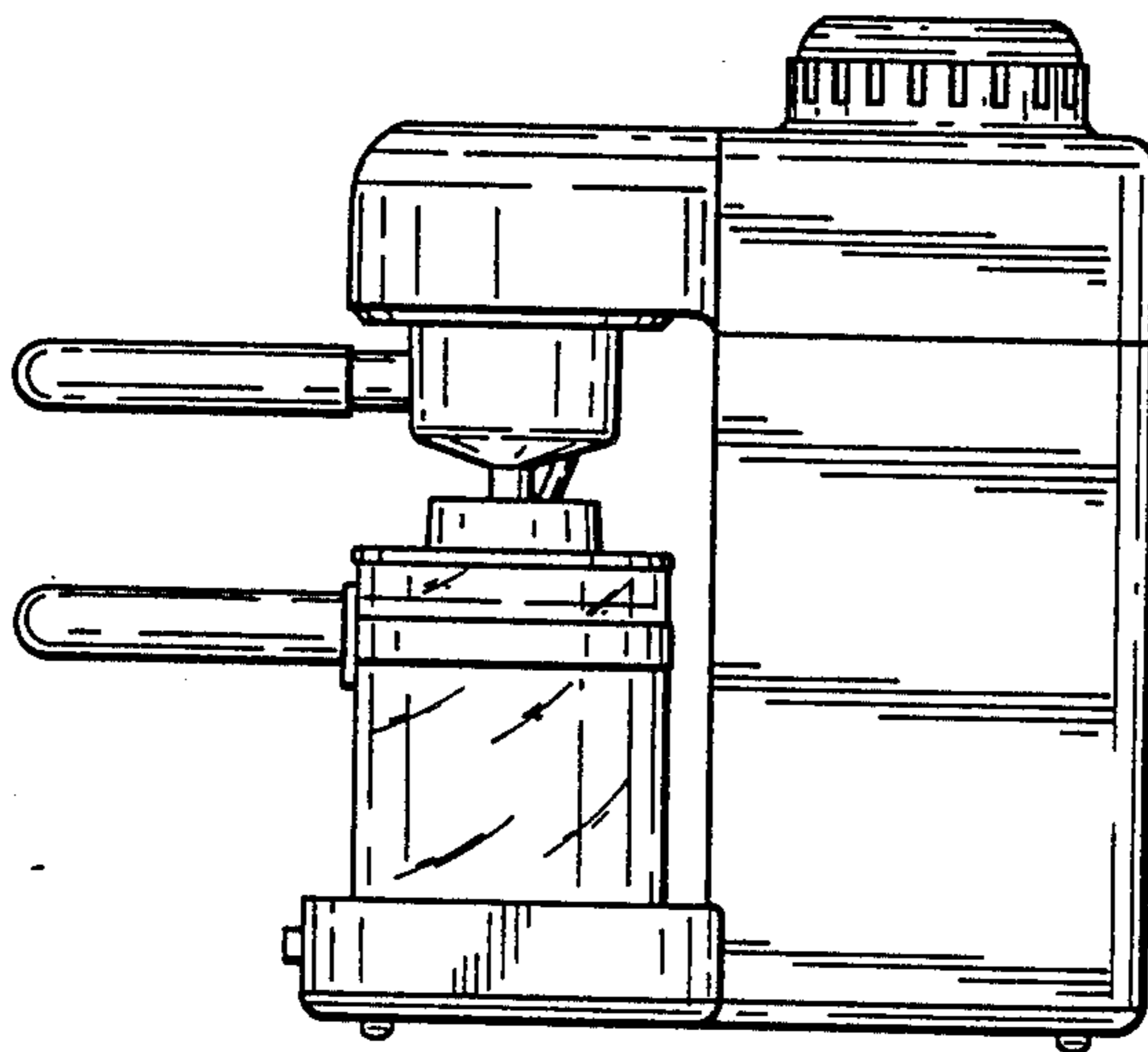


FIG. 10