

[54] TONGS

[75] Inventor: Bernard Trahar, Surrey Hills, Australia

[73] Assignee: Peter Fanning & Company Pty. Ltd., Melbourne, Australia

[**] Term: 14 Years

[21] Appl. No.: 877,098

[22] Filed: Jun. 20, 1986

[52] U.S. Cl. D7/105

[58] Field of Search D7/105, 99; 294/11, 294/99.1, 99.2, 3, 8.5, 16, 100; 30/324

[56] References Cited

U.S. PATENT DOCUMENTS

2,263,965	11/1941	Fiori	D7/105 X
2,839,325	6/1958	Jeanfavre	294/99.2
4,728,139	3/1988	Oretti	D7/105

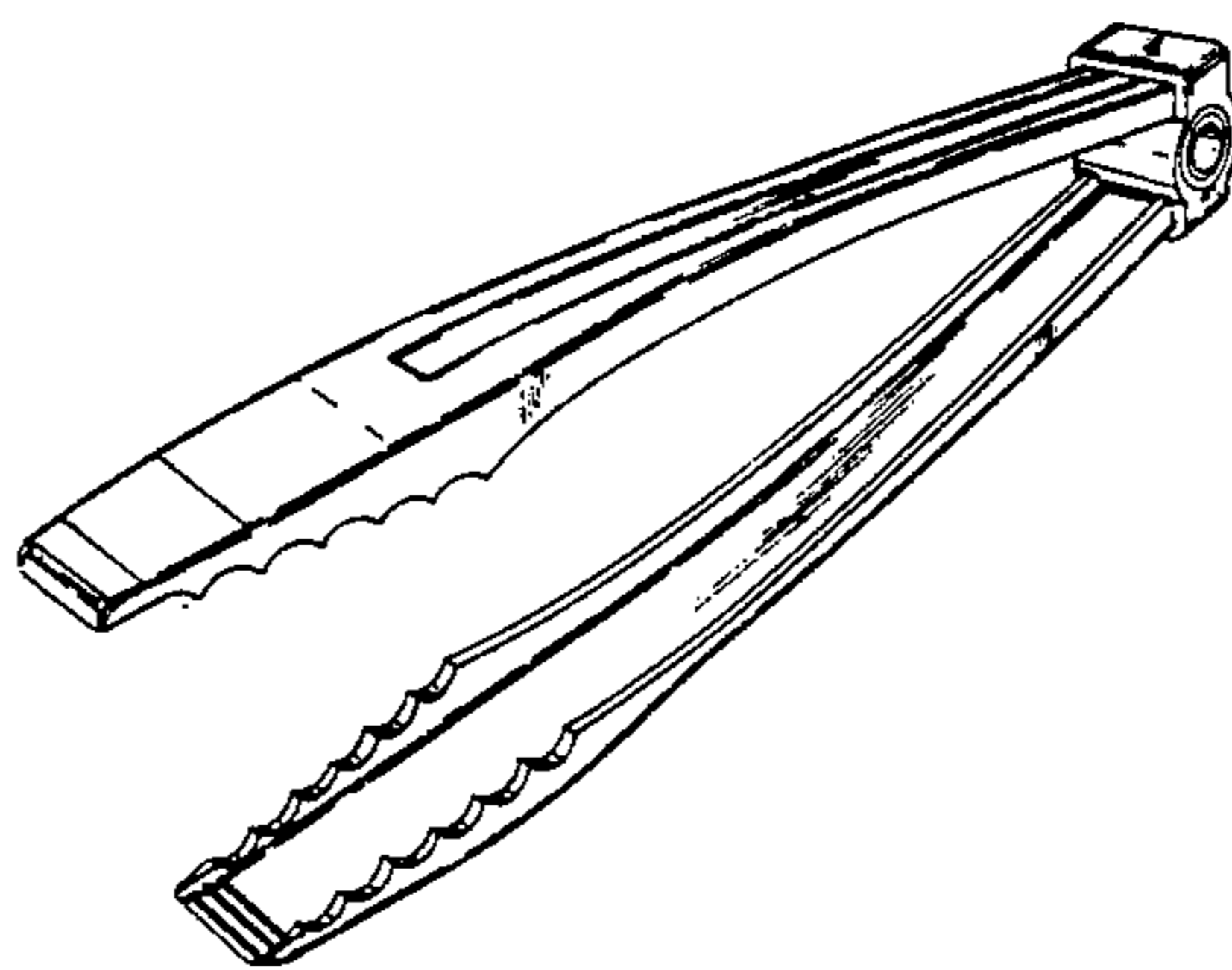
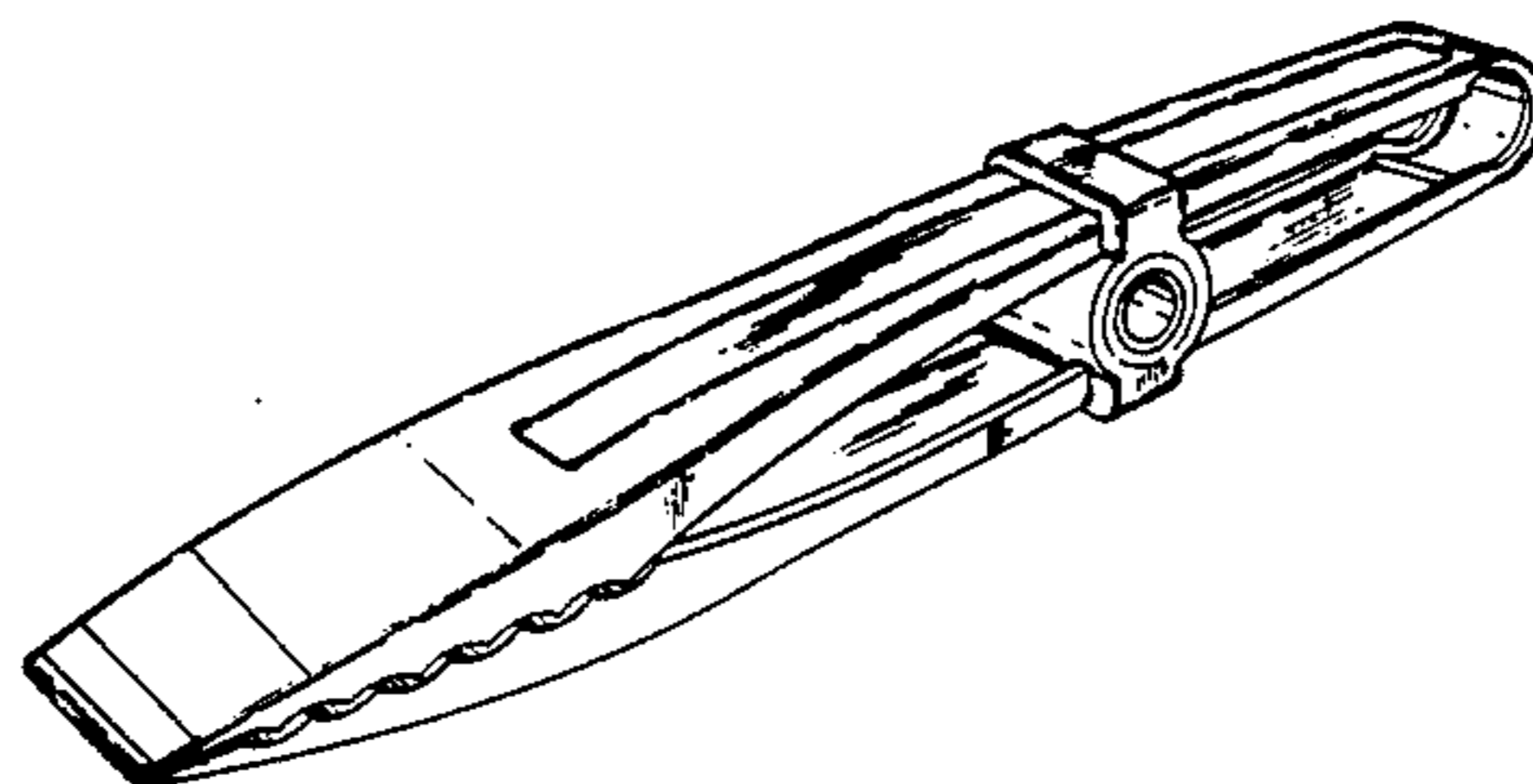
Primary Examiner—Bernard Ansher
Assistant Examiner—Terry Pfeffer
Attorney, Agent, or Firm—Ladas & Parry

[57] CLAIM

The ornamental design for tongs, as shown and described.

DESCRIPTION

FIG. 1 is a perspective view of the tongs showing my new design in a closed position;
FIG. 2 is a perspective view thereof in an open position;
FIG. 3 is a top plan view thereof, the opposite side being a mirror image;
FIG. 4 is a rear elevational view thereof;
FIG. 5 is a front elevational view thereof;
FIG. 6 is a right side elevational view thereof in a closed position; and
FIG. 7 is a left side elevational view thereof in an open position.



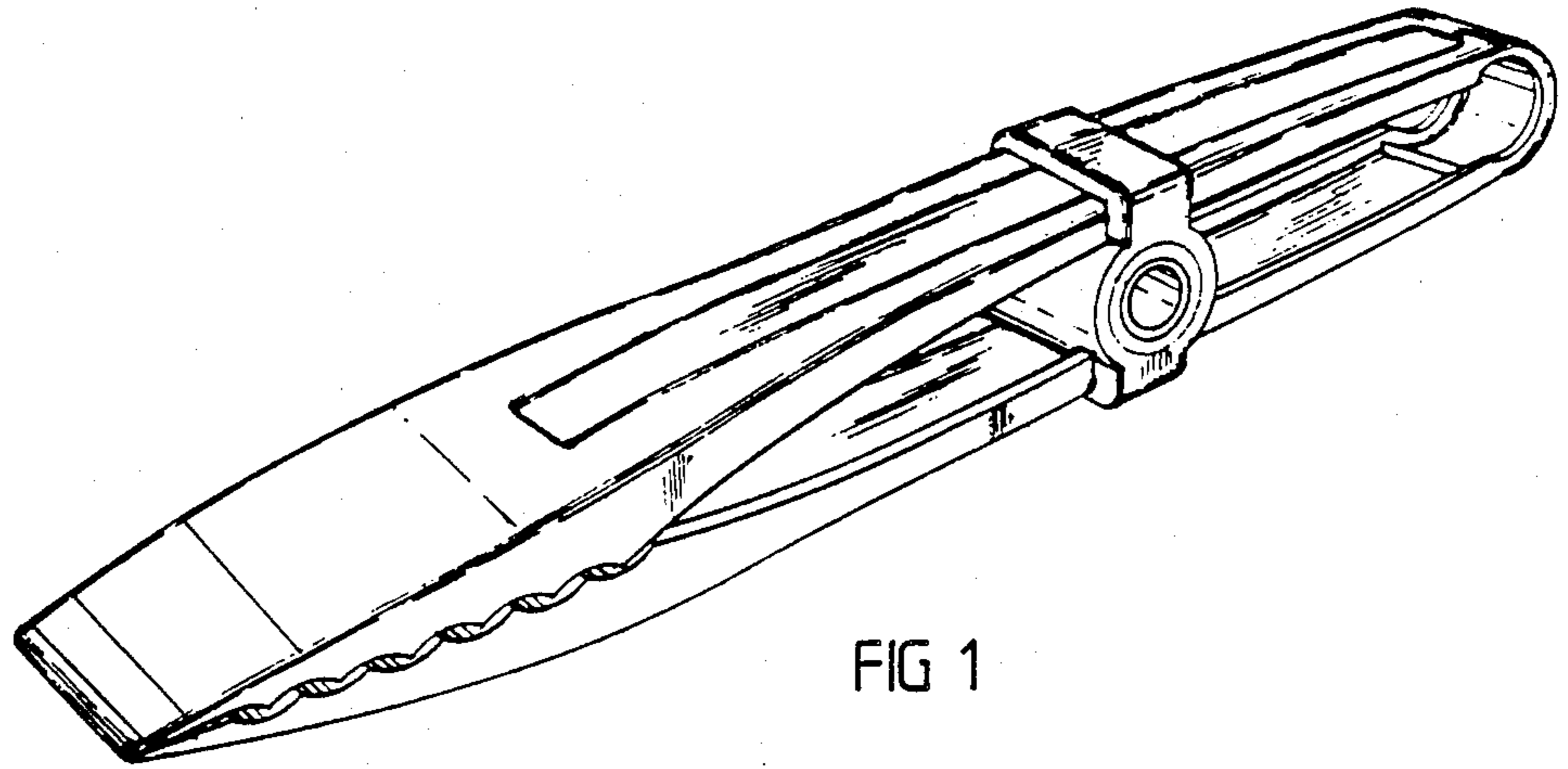


FIG 1

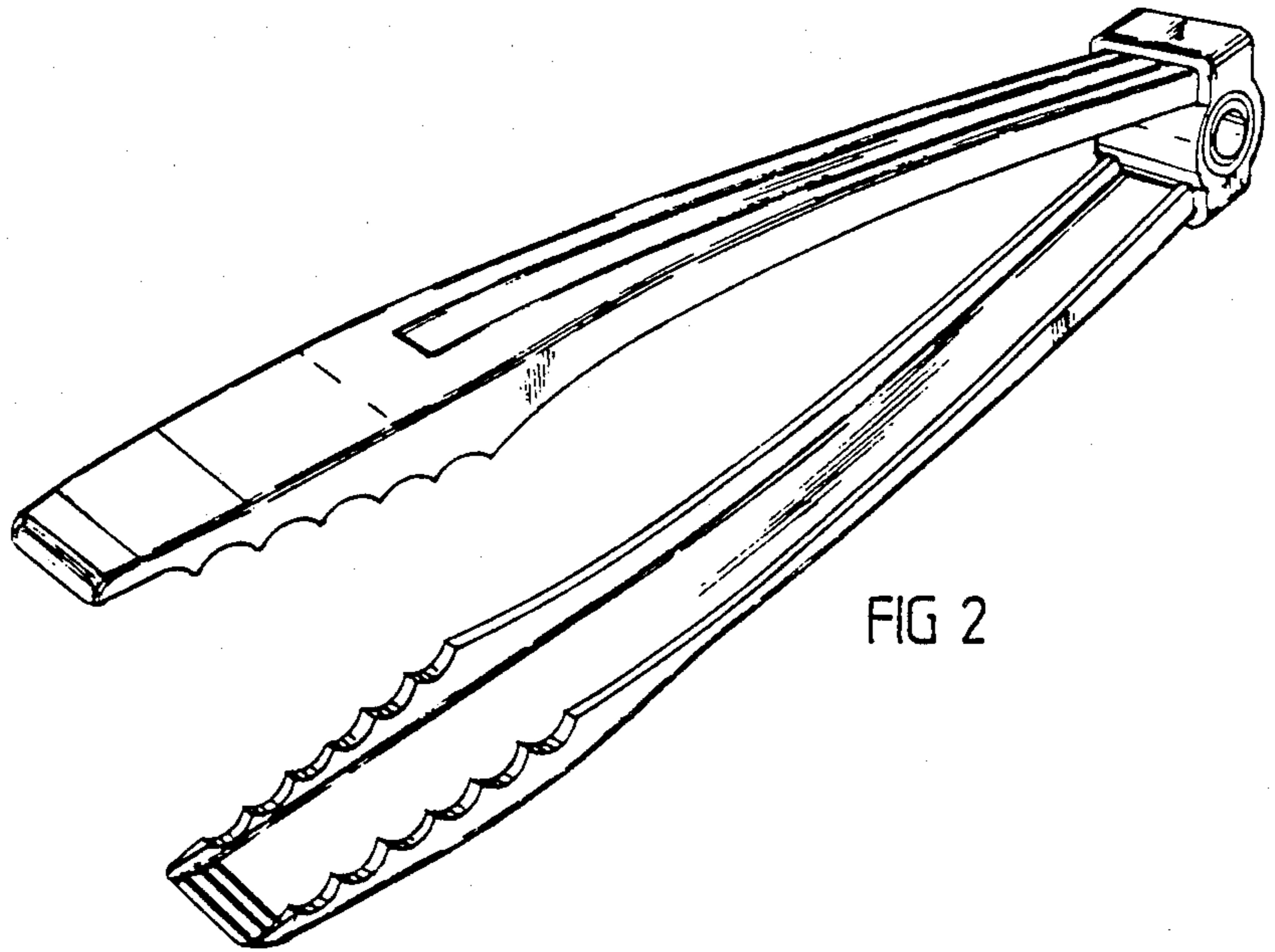


FIG 2

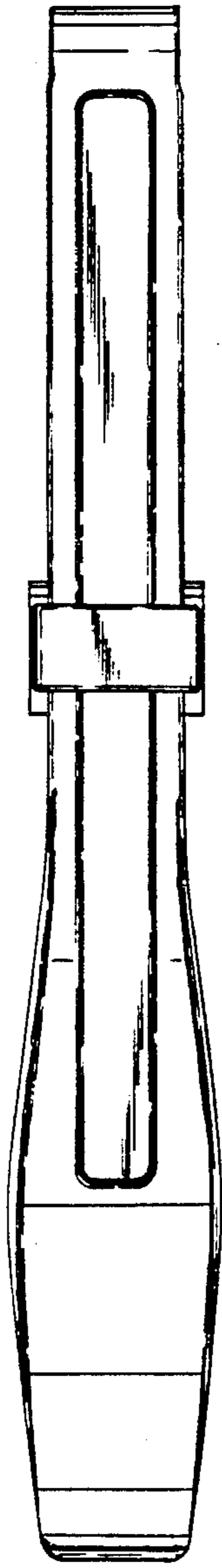


FIG 3

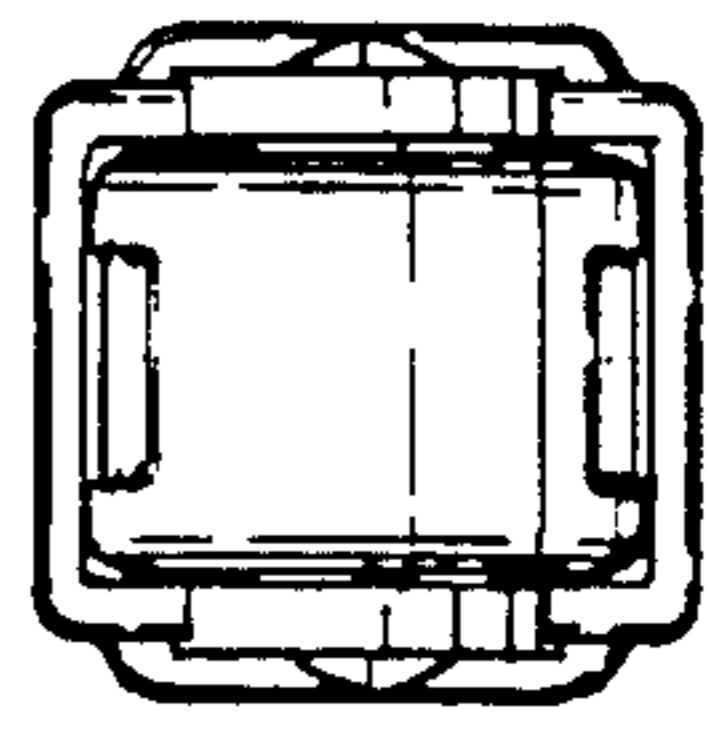


FIG 5

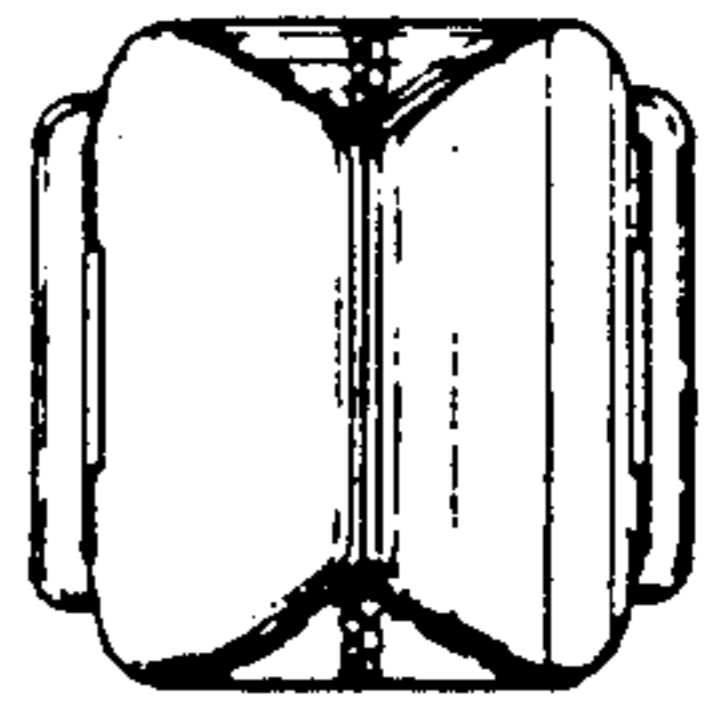


FIG 4

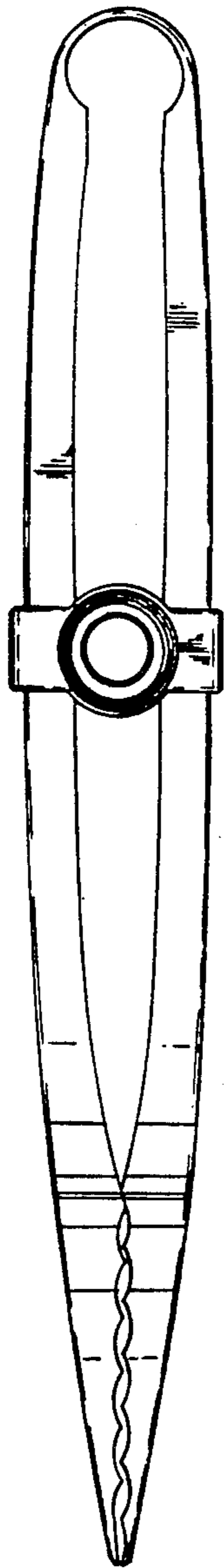


FIG 6

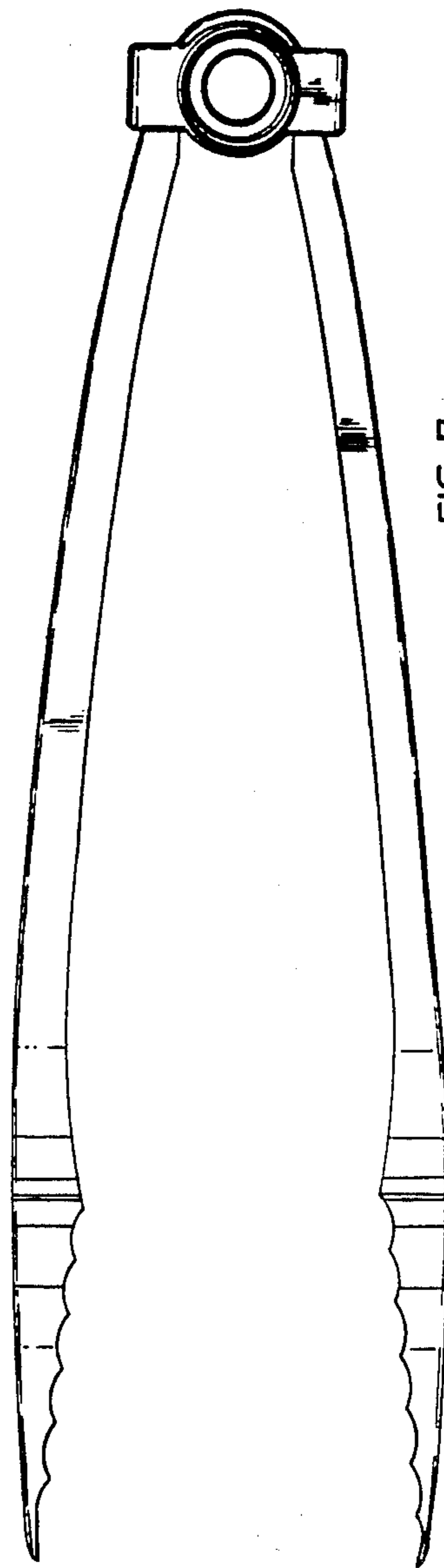


FIG 7