

[54] CHAMPAGNE FLUTE OR SIMILAR ARTICLE

[76] Inventor: Jean-Jacques Durand, LaBute, 62510, Arques, France

[\*\*] Term: 14 Years

[21] Appl. No.: 826,305

[22] Filed: Feb. 5, 1986

[52] U.S. Cl. .... D7/13; D7/14

[58] Field of Search ..... D7/11-15, D7/6, 3, 7, 28; D9/393

[56] References Cited

U.S. PATENT DOCUMENTS

D. 101,938	11/1936	Cunningham	.....	D7/13
D. 105,754	8/1937	Cunningham	.....	D7/13
D. 105,774	8/1937	Cunningham	.....	D7/12
D. 196,446	10/1963	Curtis	.....	D7/13
D. 286,841	11/1986	Blake	.....	D7/13

OTHER PUBLICATIONS

*Bloomington's Top Tables Catalog*, p. 22, Atlantis from Block "Sonnet" Stemware top panel, Wine and Flute. *Elegance in Glassware Catalog*, by J. G. Durand, p. 1, "Elegance" Blown Stemware—all items shown. *Gift & Tableware Reporter*, Jan. 1978, p. 9, N. S. Gustin Company—stemware with spiral decoration.

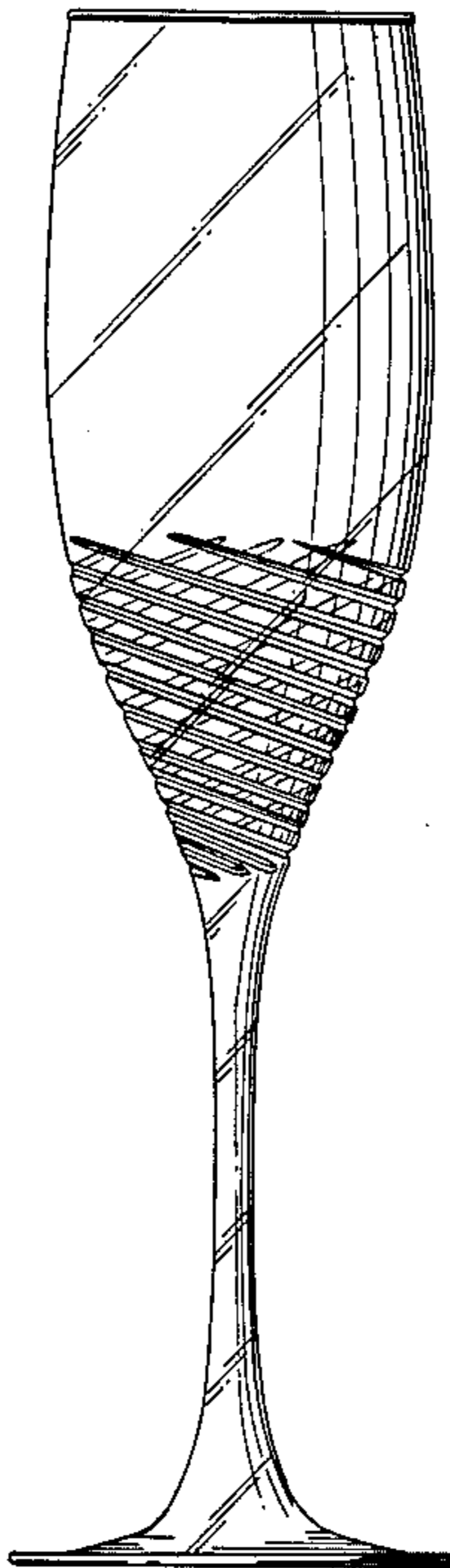
Primary Examiner—Winifred E. Herrmann  
Attorney, Agent, or Firm—Kimmel, Crowell & Weaver

[57] CLAIM

The ornamental design for a champagne flute or similar article, as shown and described.

DESCRIPTION

FIG. 1 is a side elevational view of a champagne flute or similar article showing my new design, all sides being the same;  
FIG. 2 is a top plan view thereof;  
FIG. 3 is a cross-sectional view thereof, taken along line 3—3 of FIG. 2; and  
FIG. 4 is a bottom plan view thereof.



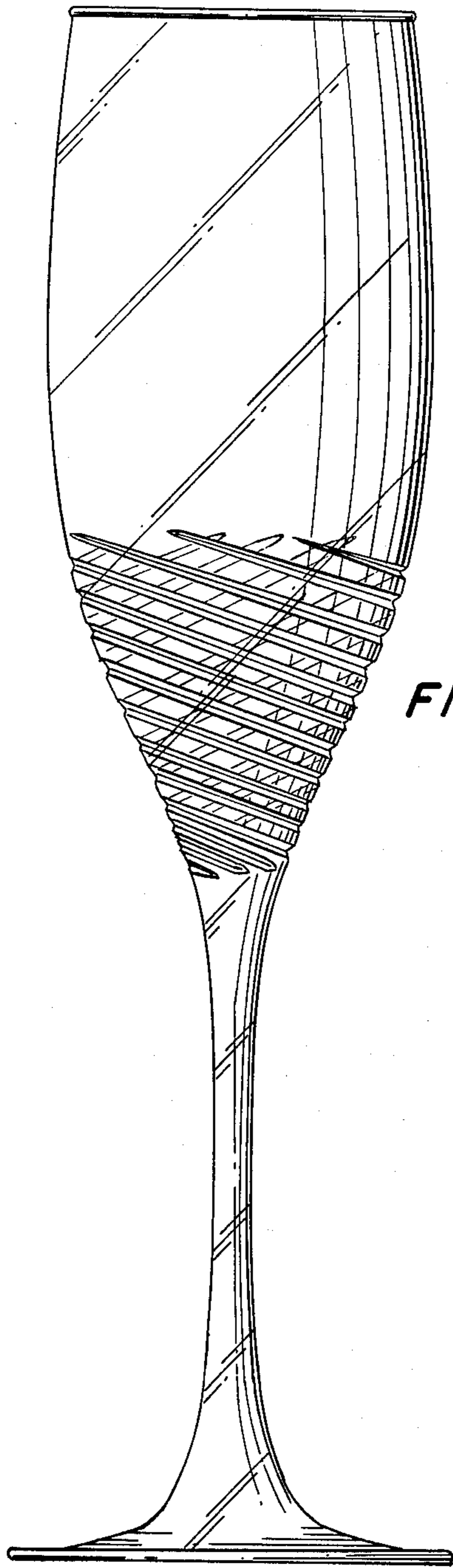


FIG. 1.

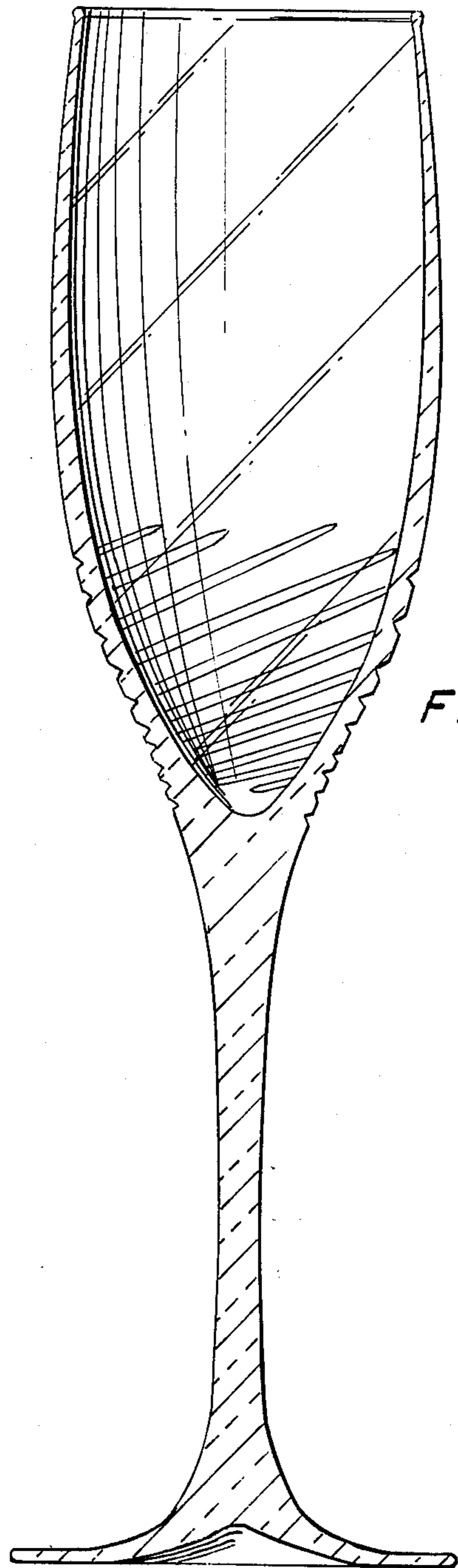


FIG. 3.

FIG. 2.

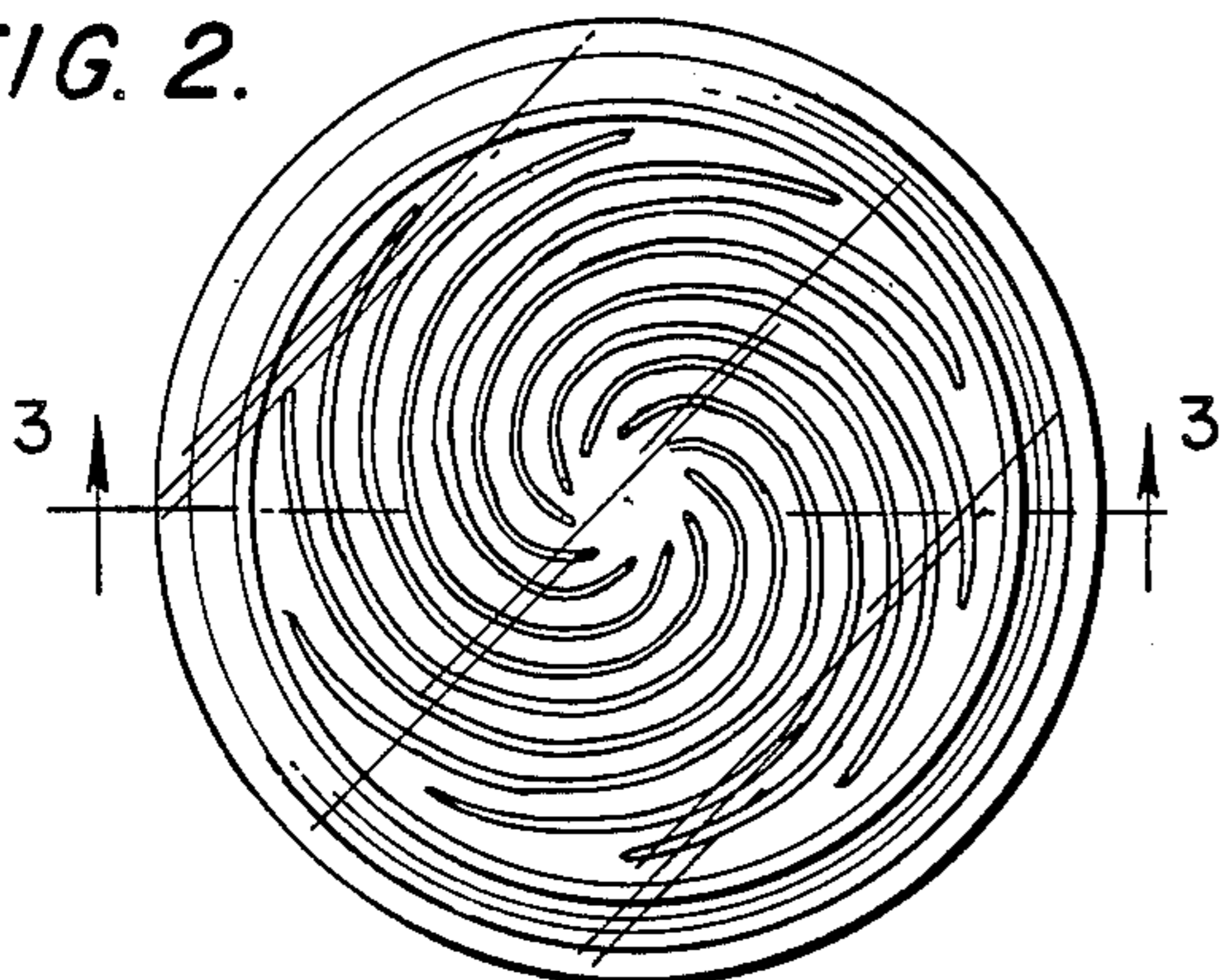


FIG. 4.

