

[54] **TISSUE BOX HOLDER**

[76] **Inventor: Abel Gallego, 136-16 35th Ave.,  
Flushing, N.Y. 11354**

[\*\*] **Term: 14 Years**

[21] **Appl. No.: 910,190**

[22] **Filed: Sep. 22, 1986**

[52] **U.S. Cl. .... D6/518; D6/513**

[58] **Field of Search ..... D6/512, 515, 517-518,  
D6/524, 553, 567, 572; 248/DIG. 5, 201, 313;  
211/13, 45, 71, 86-89; 221/46**

[56] **References Cited**

**U.S. PATENT DOCUMENTS**

D. 187,388	3/1960	Lum	.....	D6/518
D. 238,838	2/1976	Vrignand	.....	D6/522
D. 278,492	4/1985	Short	.....	D6/518
D. 280,373	9/1985	Ioakim	.....	D6/526
2,263,956	11/1941	Russell	.....	D6/518 X

3,258,238 6/1966 Grafton ..... 248/DIG. 5 X  
3,288,416 11/1966 Franklin ..... 248/DIG. 5 X

*Primary Examiner*—Wallace R. Burke  
*Assistant Examiner*—Brian N. Vinson  
*Attorney, Agent, or Firm*—Stoll, Wilkie, Previto &  
Hoffman

[57] **CLAIM**

The ornamental design for a tissue box holder, as shown and described.

**DESCRIPTION**

FIG. 1 is a front perspective view of a tissue box holder and the like showing my new design;  
FIG. 2 is a front elevational view thereof;  
FIG. 3 is a left side elevational view thereof;  
FIG. 4 is a right side elevational view thereof;  
FIG. 5 is a top plan view thereof;  
FIG. 6 is a bottom plan view thereof; and  
FIG. 7 is a rear elevational view thereof.

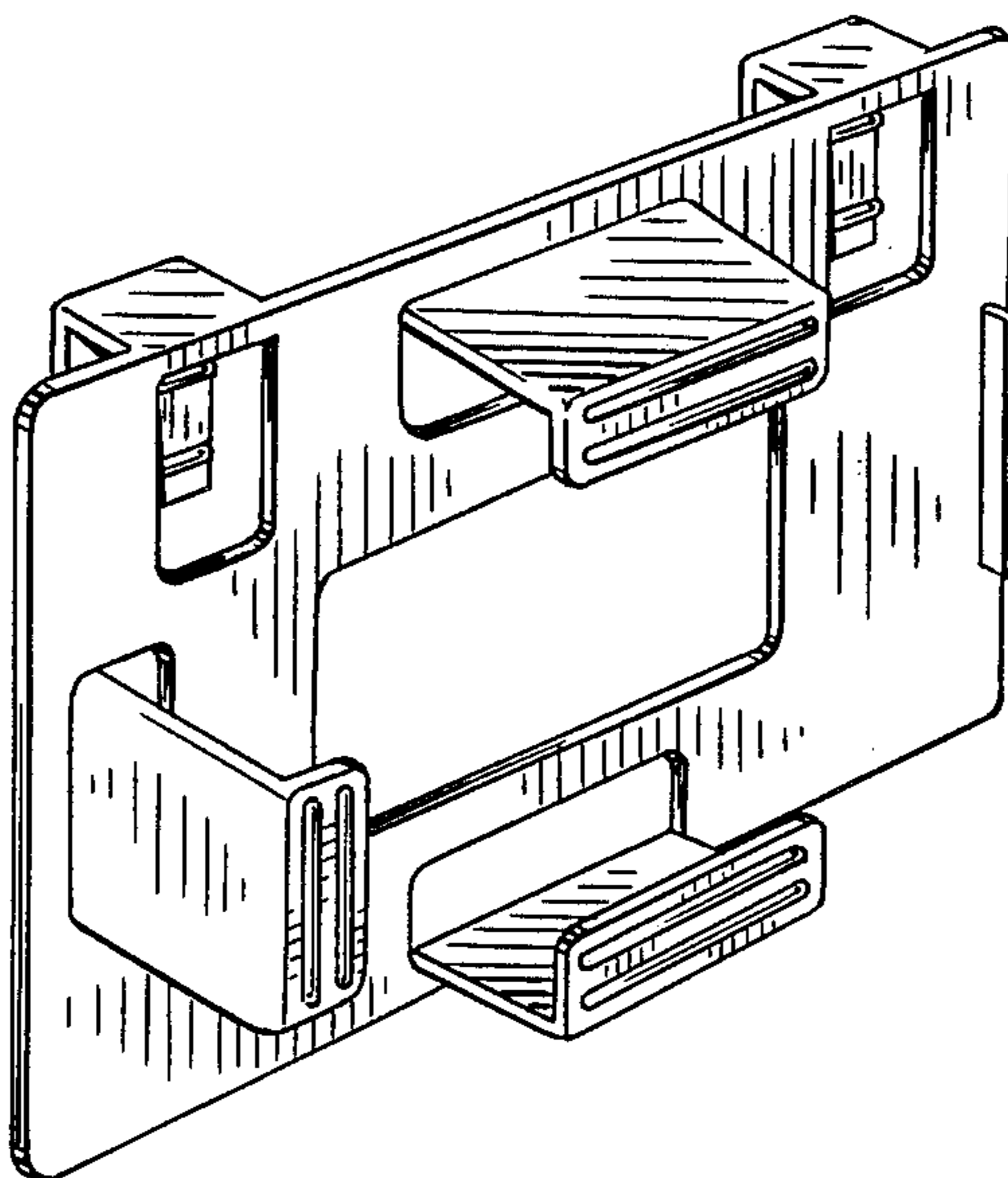


Fig. 1.

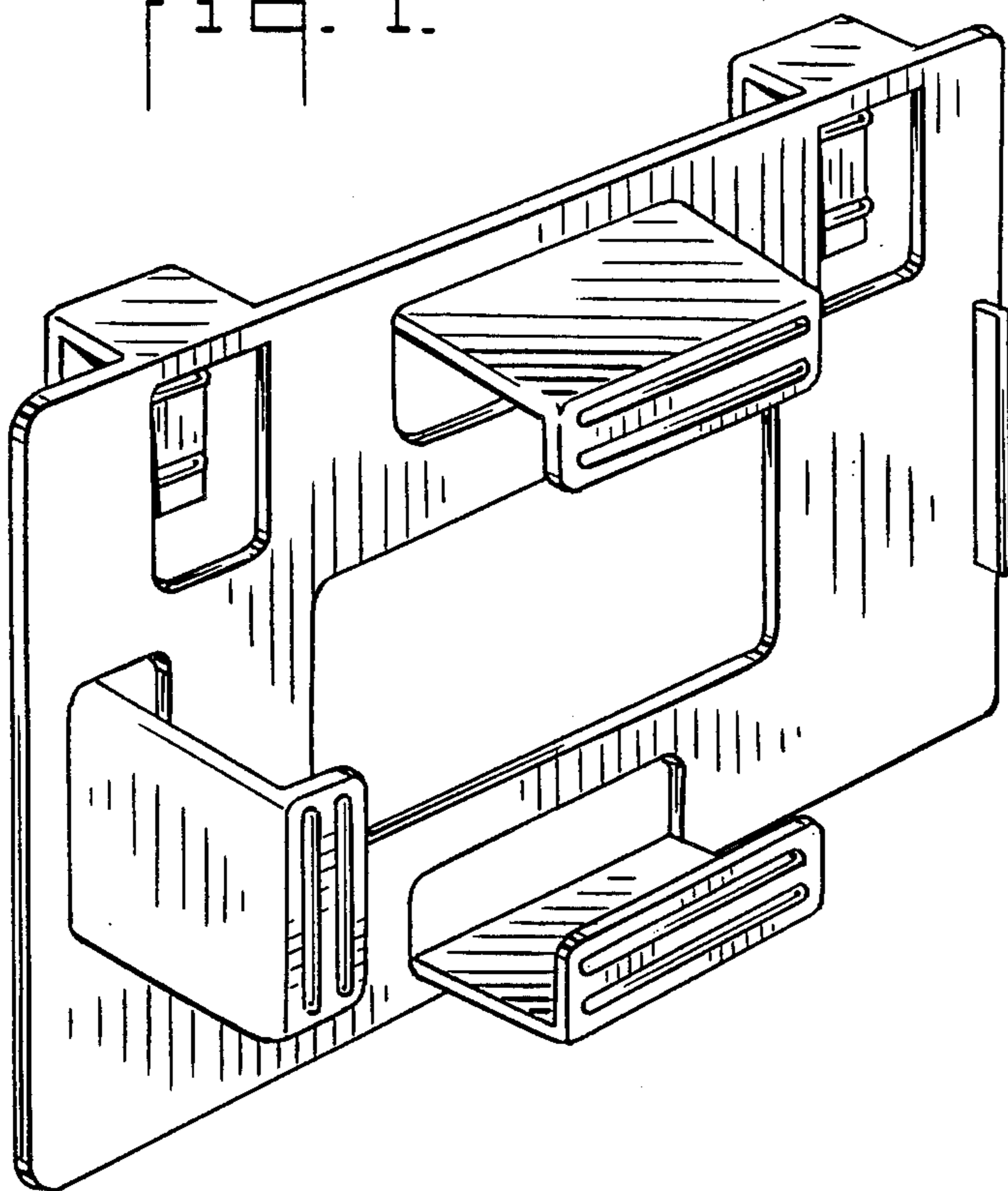


Fig. 3.

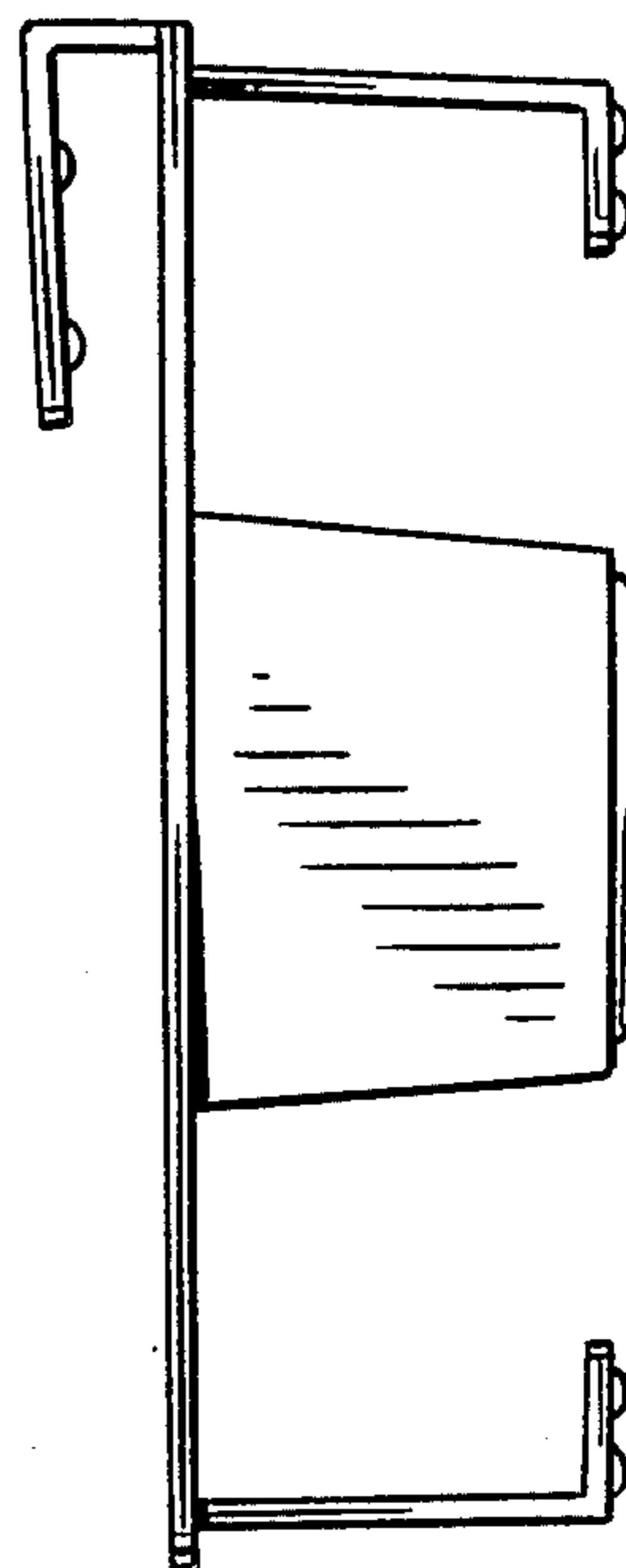


Fig. 2.

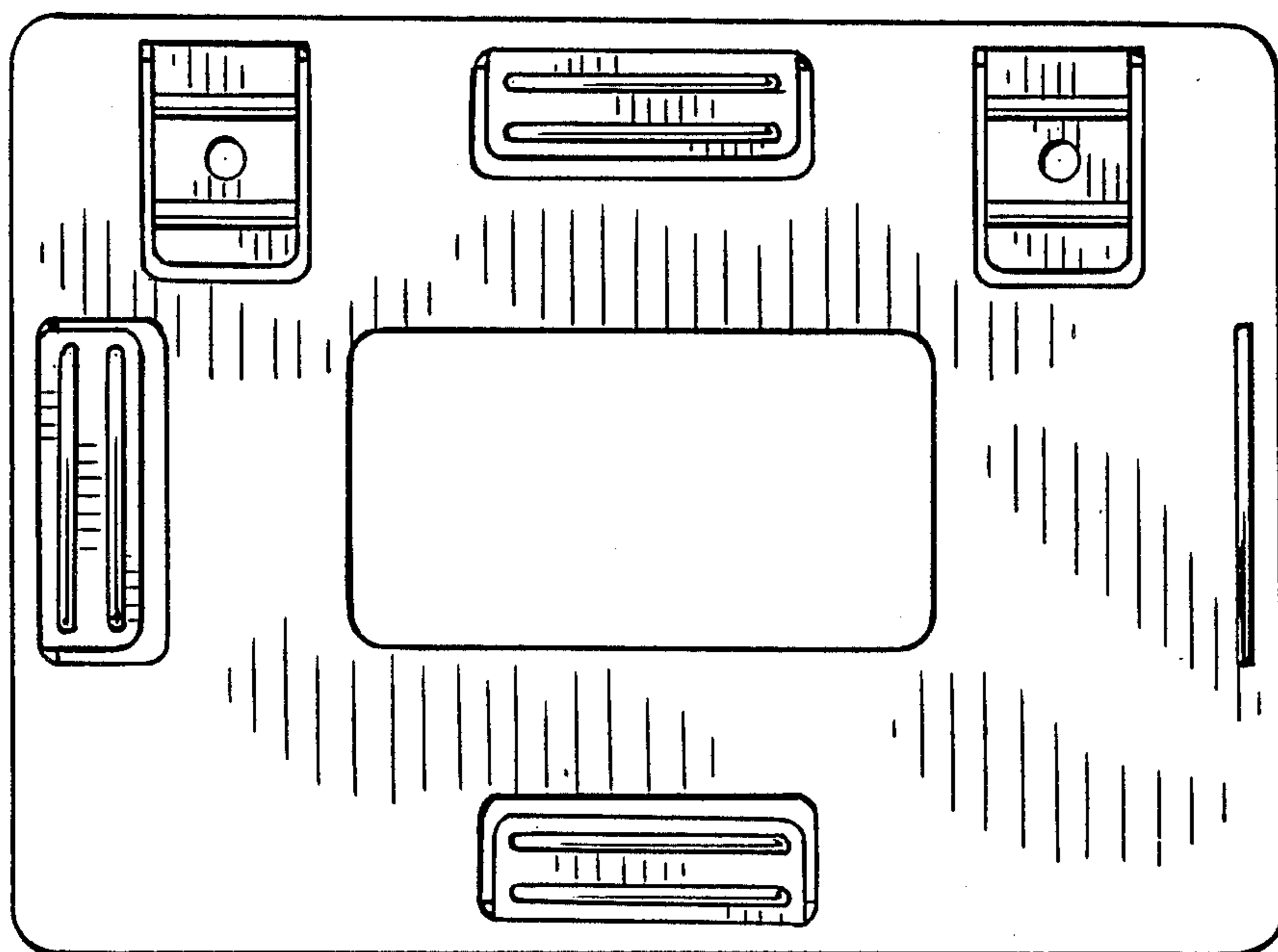


Fig. 4.

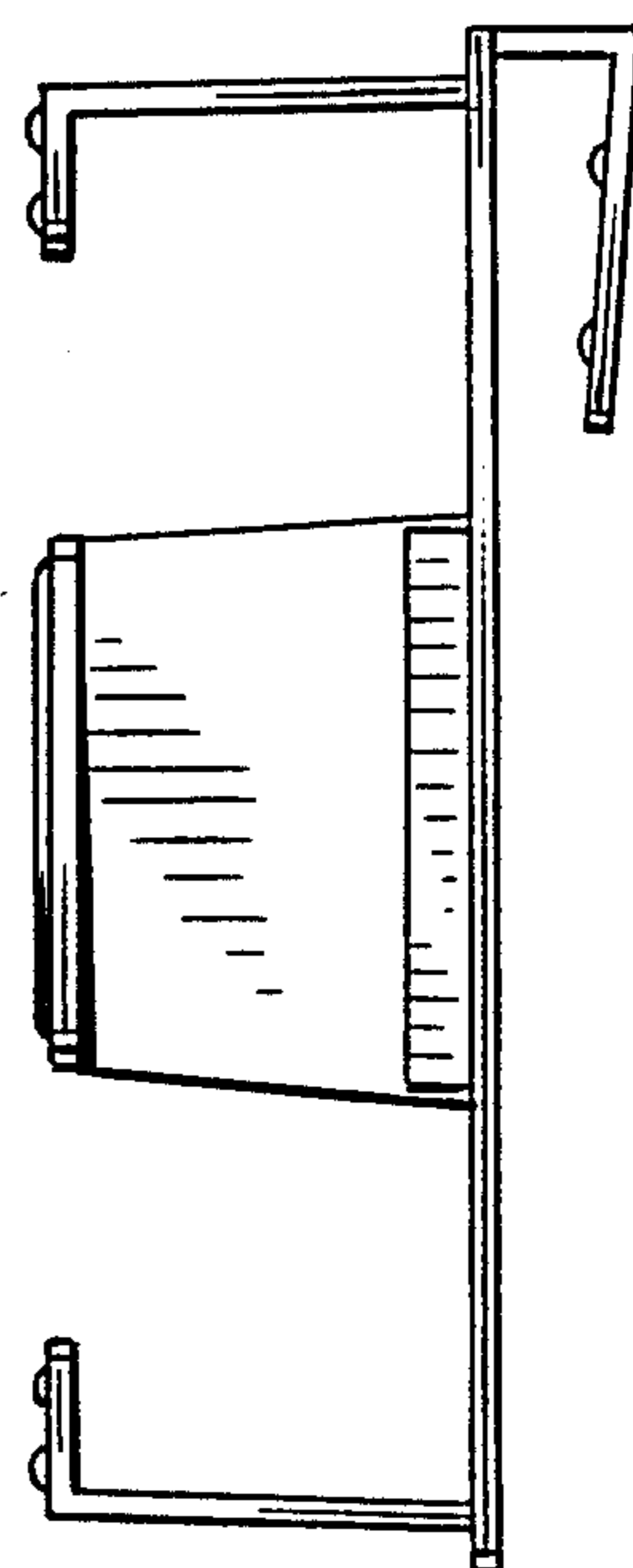


Fig. 5.

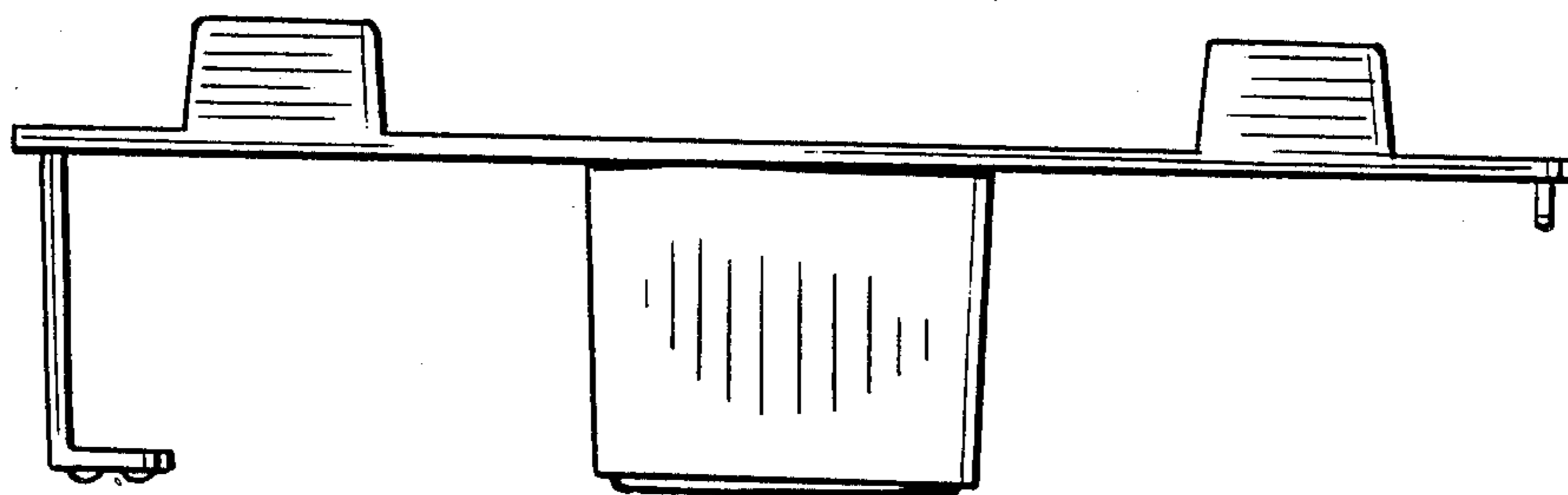


Fig. 6.

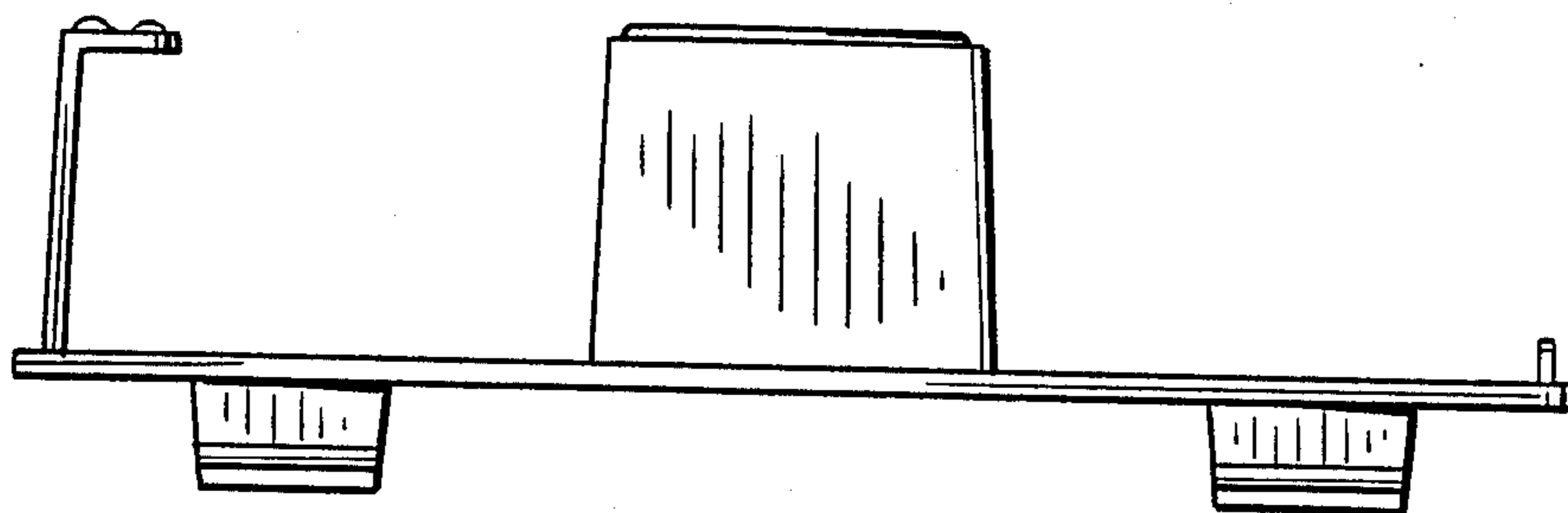


Fig. 7.

