

[54] **FOIL DISPENSER**

3,227,386 1/1966 Pitcher 242/55.2

[76] **Inventor: Ann M. Colavito, 2325-3rd St. #322,
San Francisco, Calif. 94107**

Primary Examiner—Wallace R. Burke
Assistant Examiner—Brian N. Vinson
Attorney, Agent, or Firm—Townsend and Townsend

[**] **Term: 14 Years**

[21] **Appl. No.: 842,432**

[57] **CLAIM**

The ornamental design for a foil dispenser, as shown.

[22] **Filed: Mar. 11, 1986**

[52] **U.S. Cl. D6/518**

[58] **Field of Search D6/512, 515, 518, 522-523;
242/55.2, 56 R; 312/37-39; 206/389; 211/16**

DESCRIPTION

FIG. 1 is a perspective view of a foil dispenser showing my new design;

FIG. 2 is a top plan view thereof;

FIG. 3 is a front elevational view thereof;

FIG. 4 is a right side elevational view thereof;

FIG. 5 is a left side elevational view thereof;

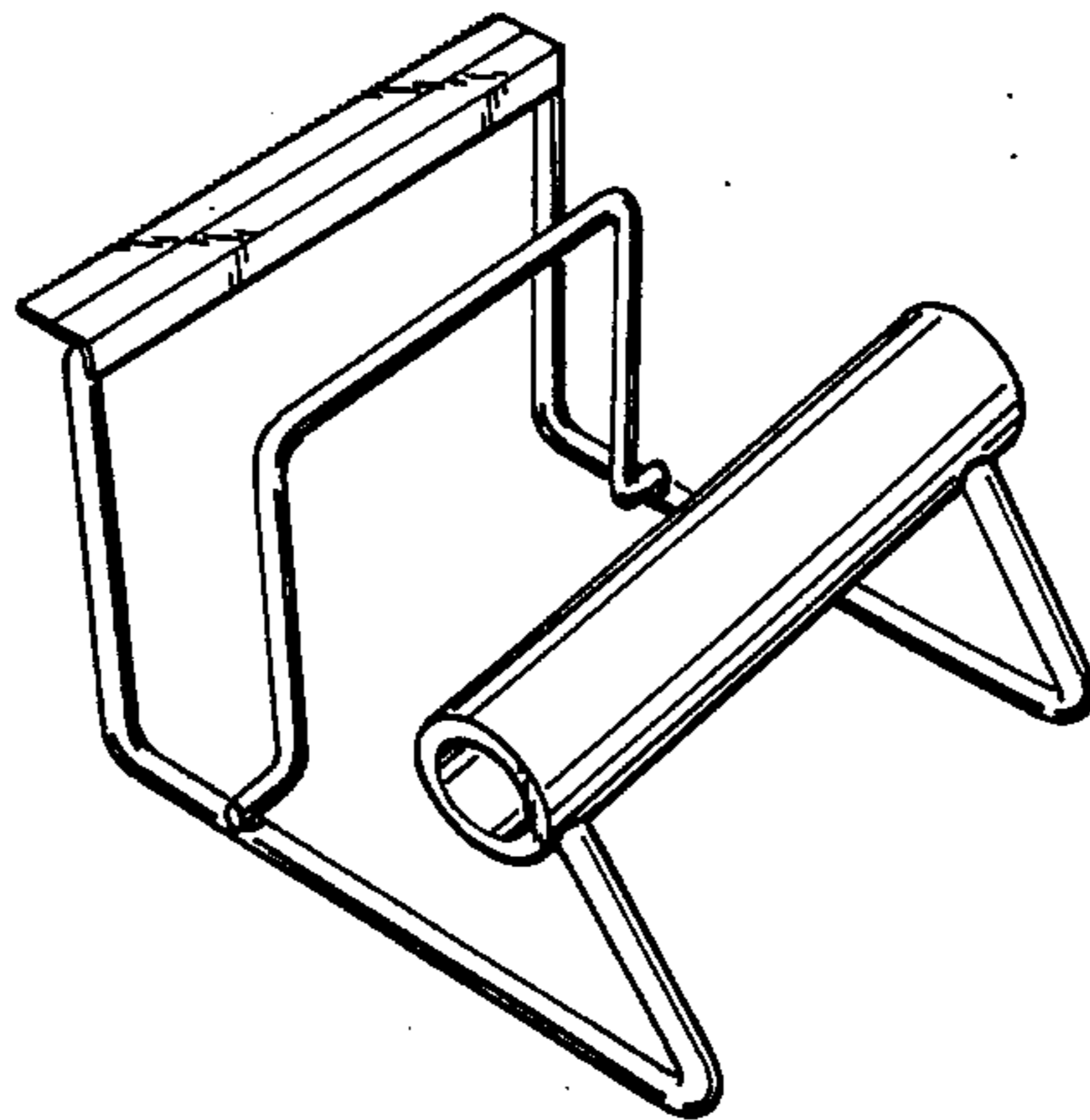
FIG. 6 is a rear elevational view thereof; and,

FIG. 7 is a bottom plan view thereof.

[56] **References Cited**

U.S. PATENT DOCUMENTS

D. 273,644 1/1984 Colavito et al. D6/518
1,971,794 8/1934 Panettiere 211/16



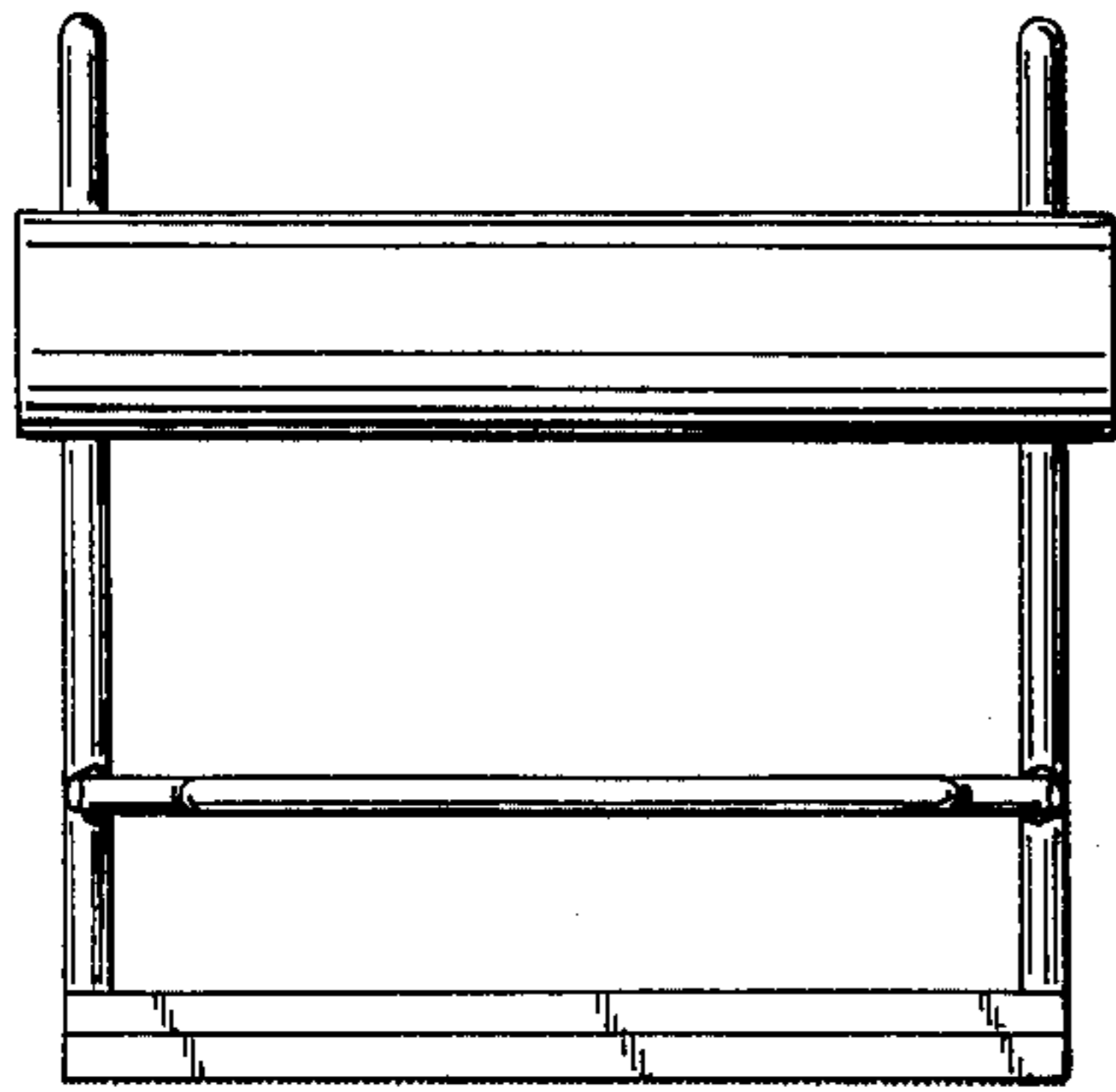


FIG._2.

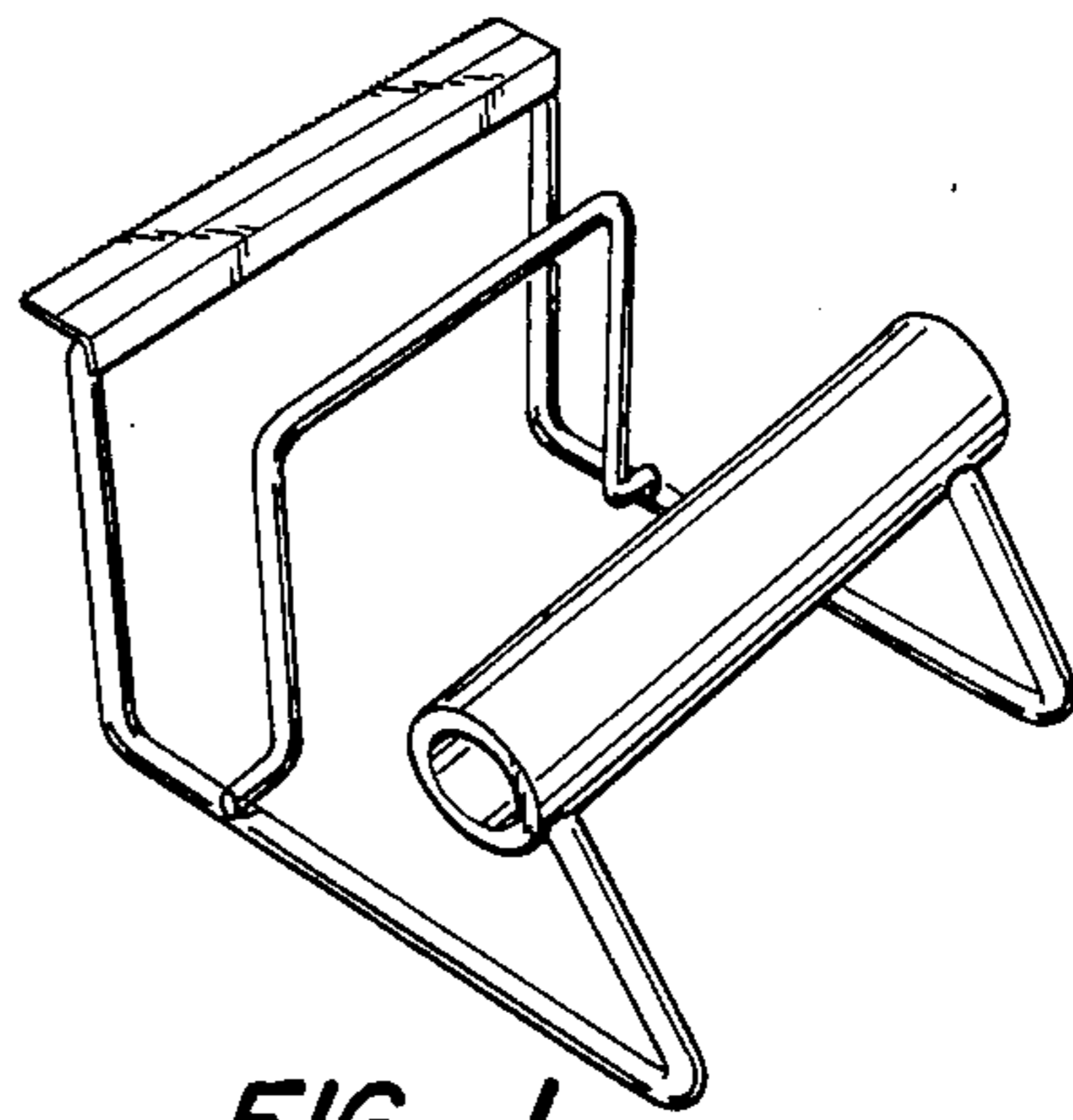


FIG._1.

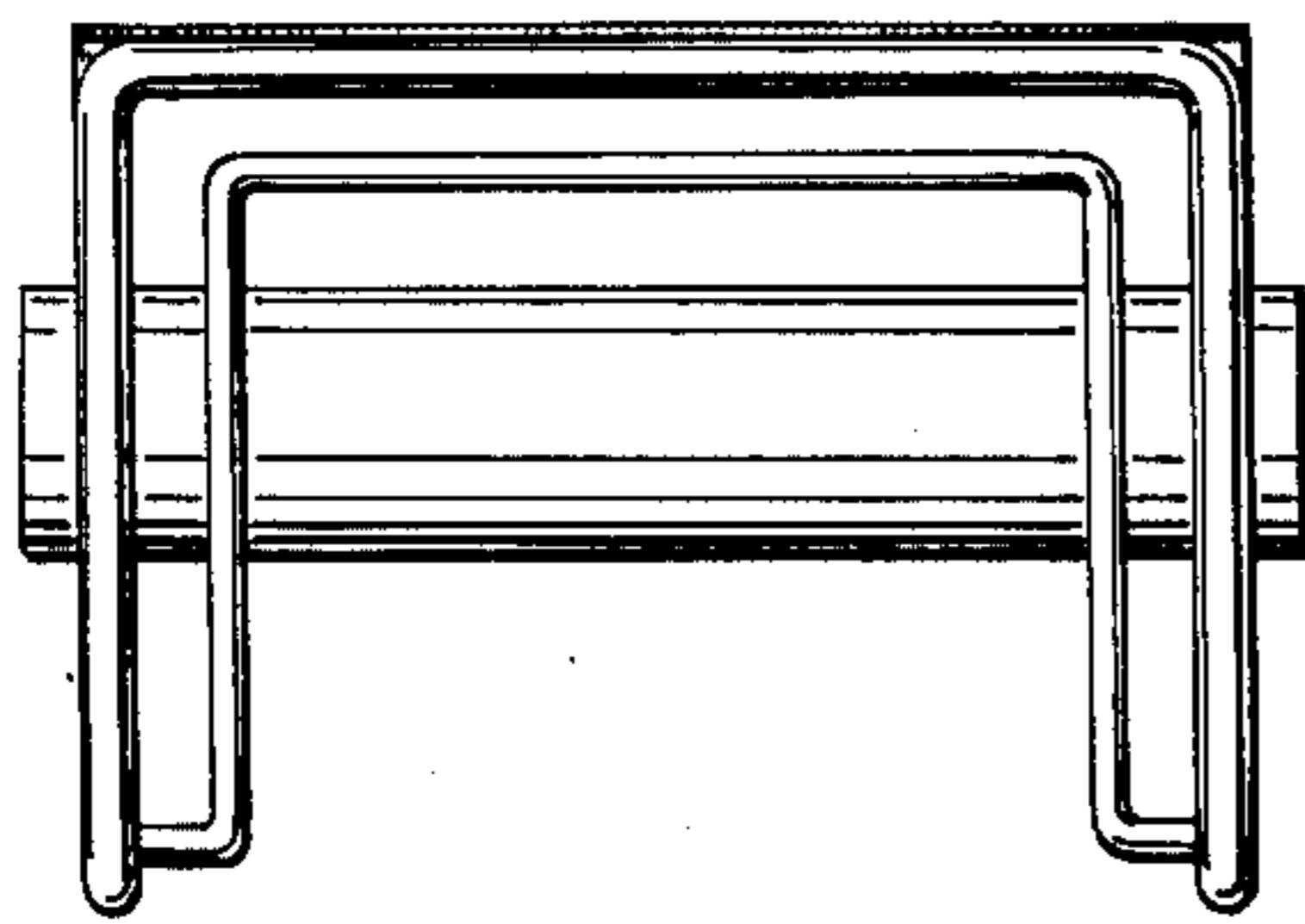


FIG._3.

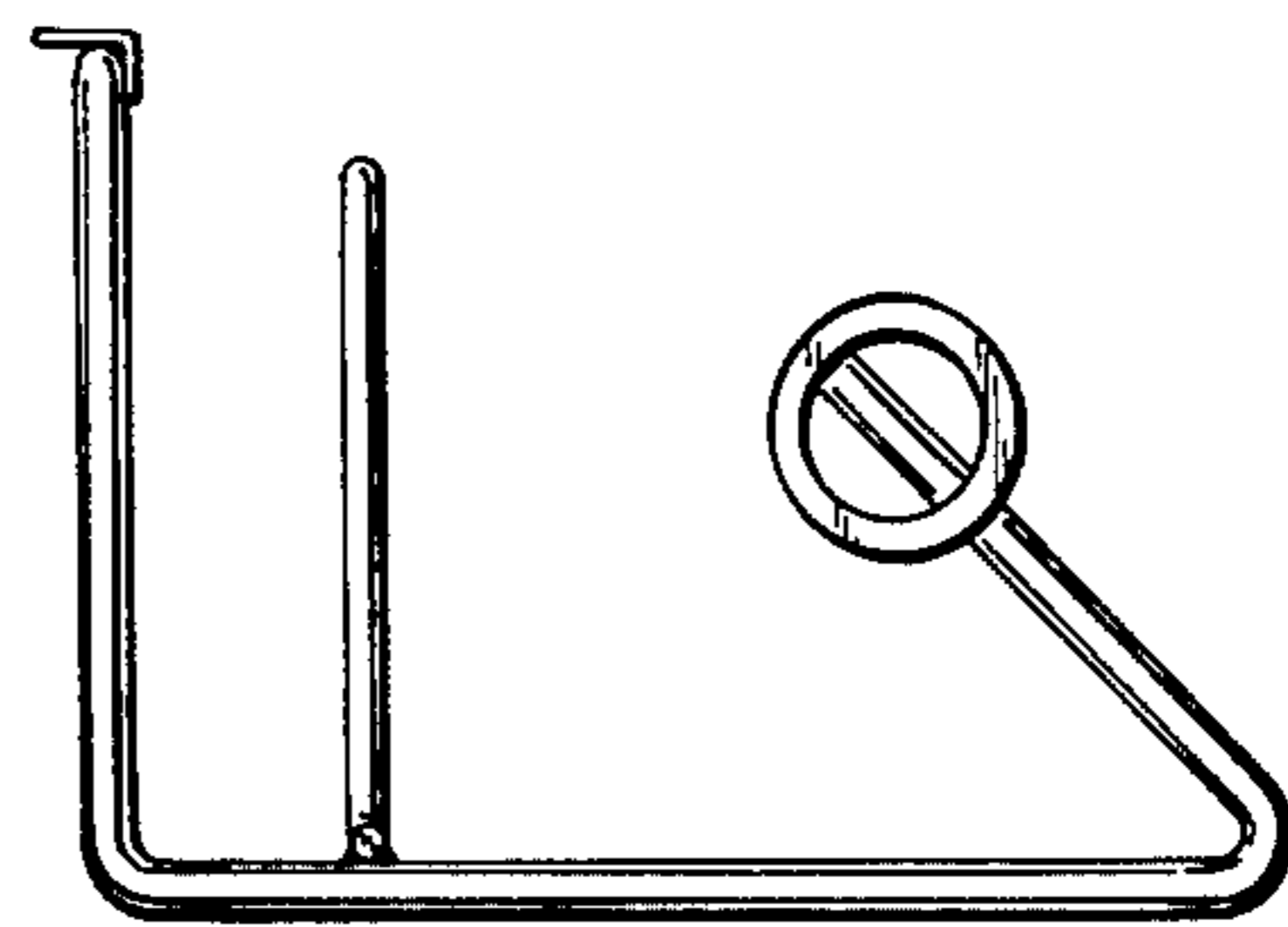


FIG._4.

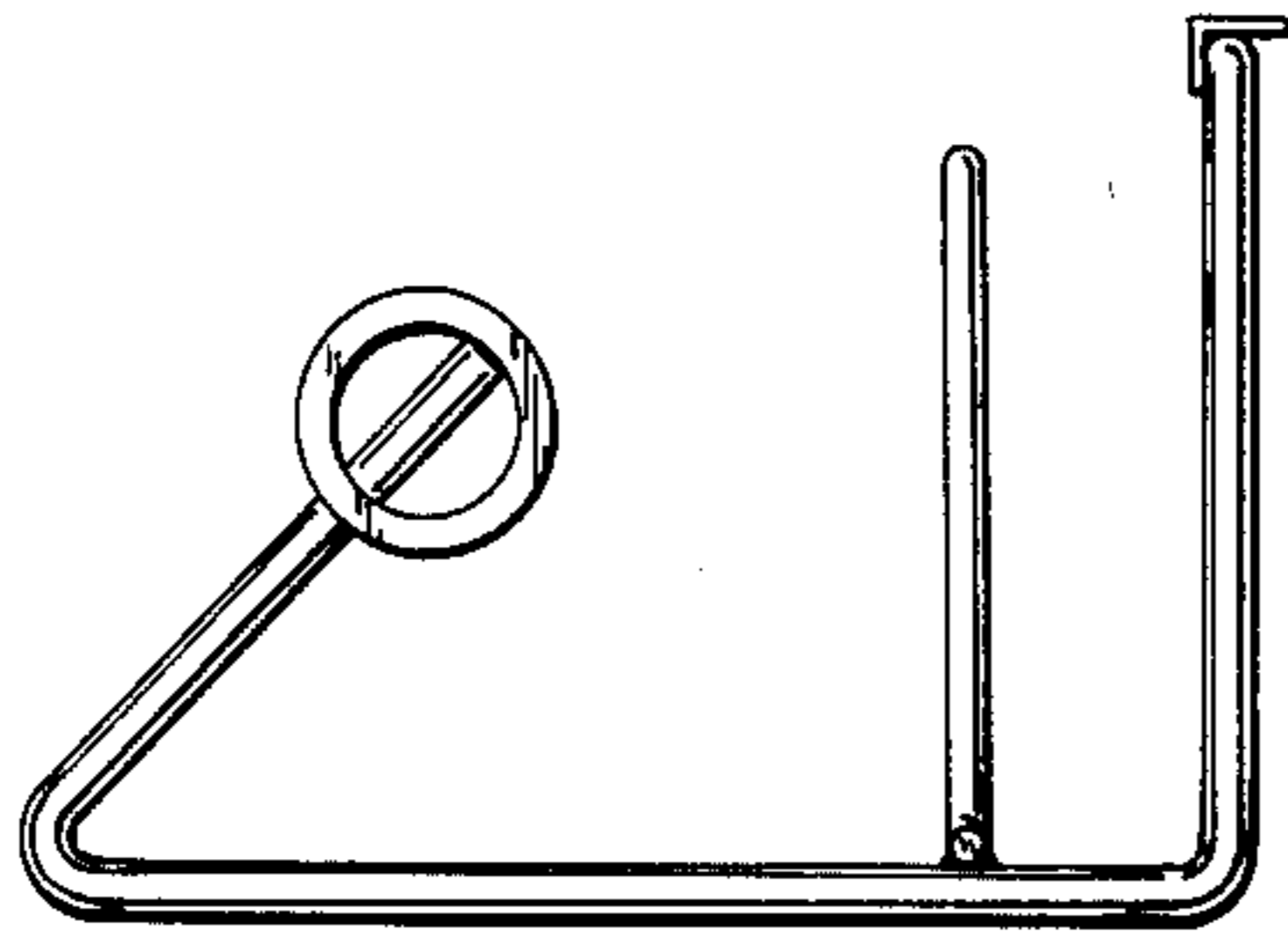


FIG._5.

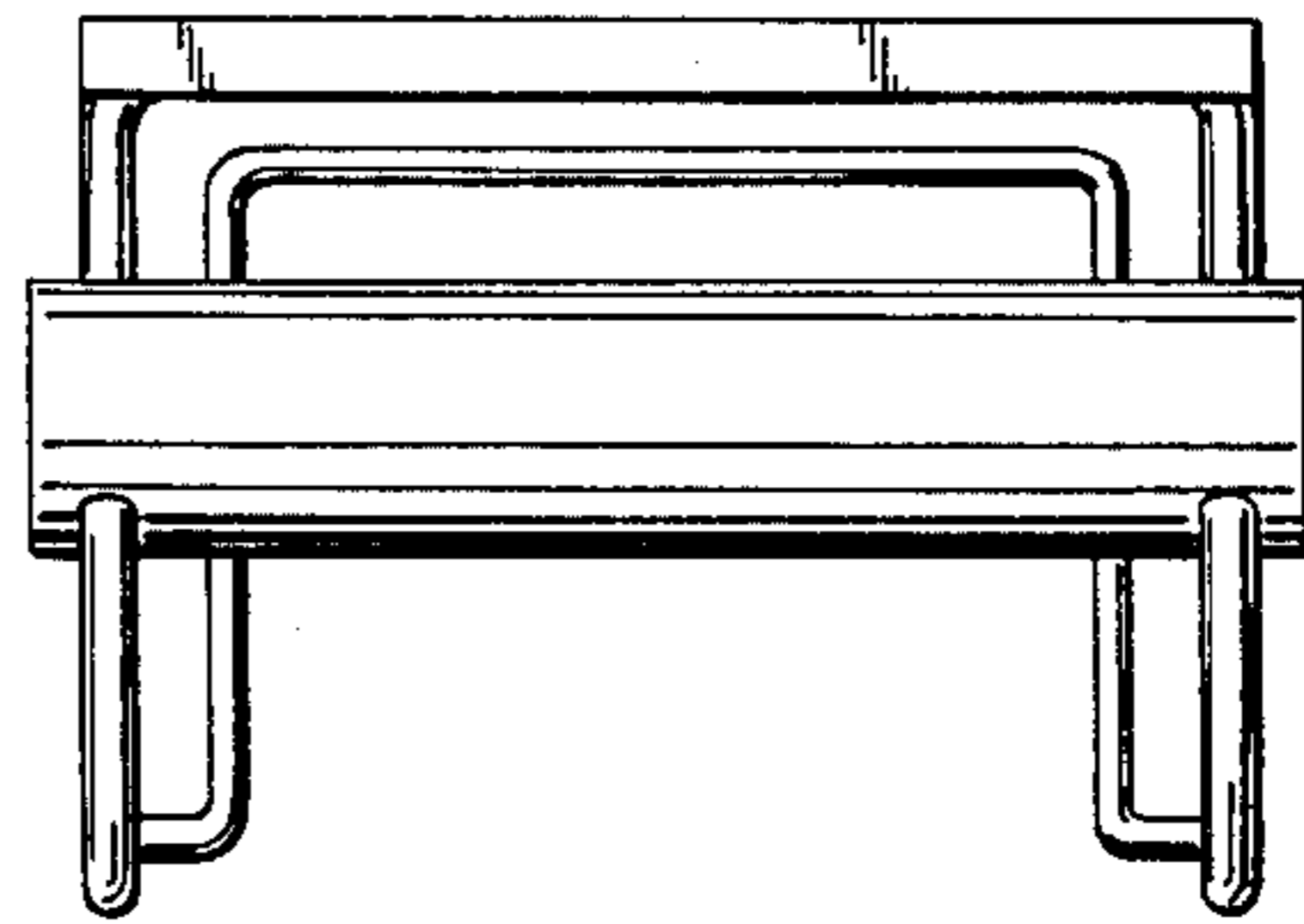


FIG._6.

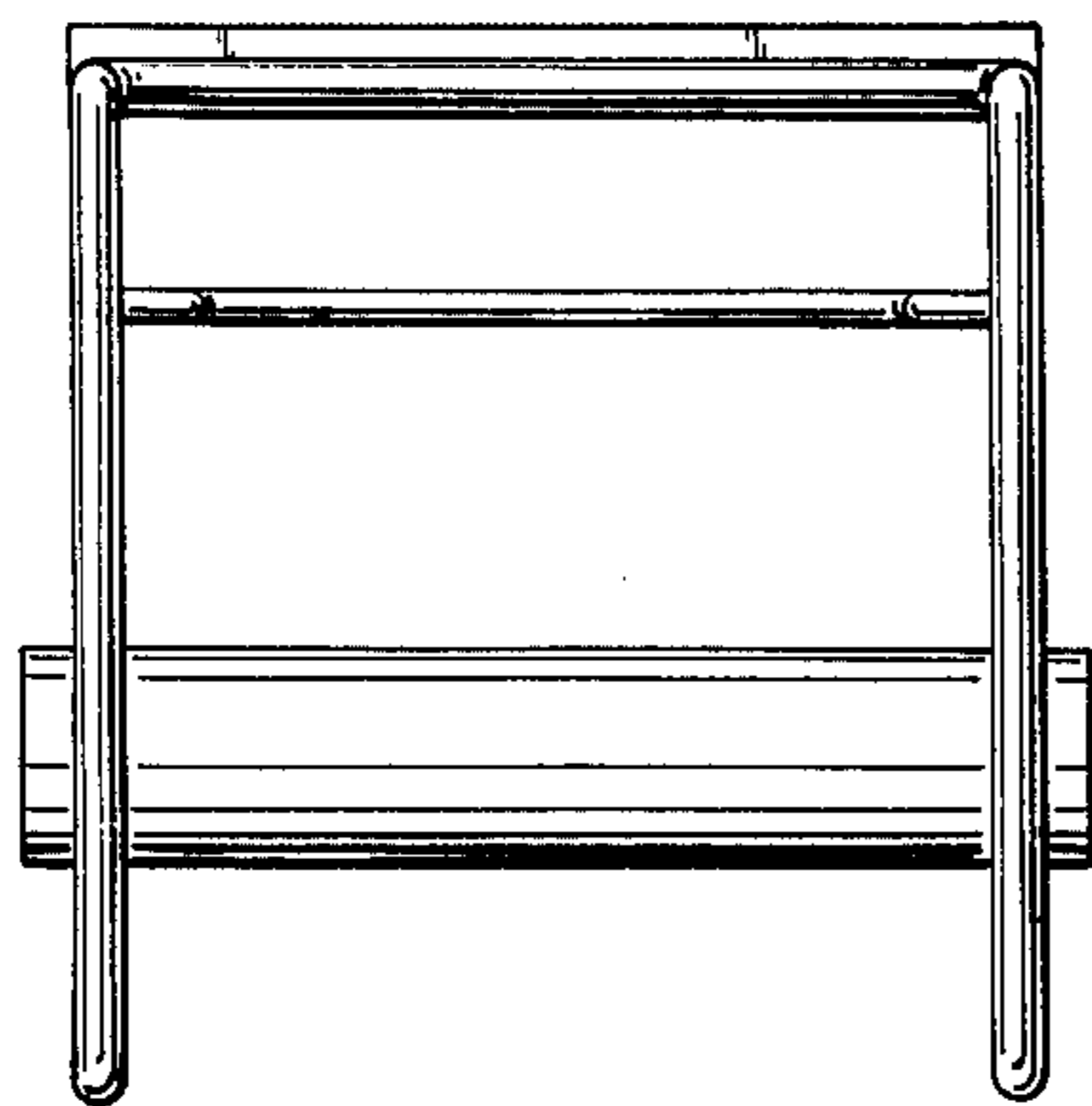


FIG._7.