

[54] **TABLE**

[75] **Inventor: Aaron J. Donner, Garrison, N.Y.**

[73] **Assignee: Schnadig Corporation, Chicago, Ill.**

[\*] **Notice:** The portion of the term of this patent subsequent to May 3, 2002 has been disclaimed.

[\*\*] **Term: 14 Years**

[21] **Appl. No.: 840,715**

[22] **Filed: Feb. 28, 1986**

[52] **U.S. Cl. .... D6/486**

[58] **Field of Search ..... D6/480, 482, 484, 485, D6/486, 487, 488**

[56] **References Cited**

**U.S. PATENT DOCUMENTS**

|            |        |                |        |
|------------|--------|----------------|--------|
| D. 225,935 | 1/1973 | Kienel .....   | D6/486 |
| D. 260,711 | 9/1981 | Redmond .....  | D6/480 |
| D. 287,680 | 1/1987 | Lonngren ..... | D6/485 |
| D. 288,642 | 3/1987 | DeLuca .....   | D6/480 |

**OTHER PUBLICATIONS**

Interiors, Mar. 1974, p. 65, table by Cumberland.

*Primary Examiner*—Bruce W. Dunkins

[57] **CLAIM**

The ornamental design for a table, substantially as shown and described.

**DESCRIPTION**

FIG. 1 is a perspective view of a table showing my design;

FIG. 2 is a top plan view;

FIG. 3 is a bottom plan view; and

FIG. 4 is an elevational view showing one of the four identical sides.

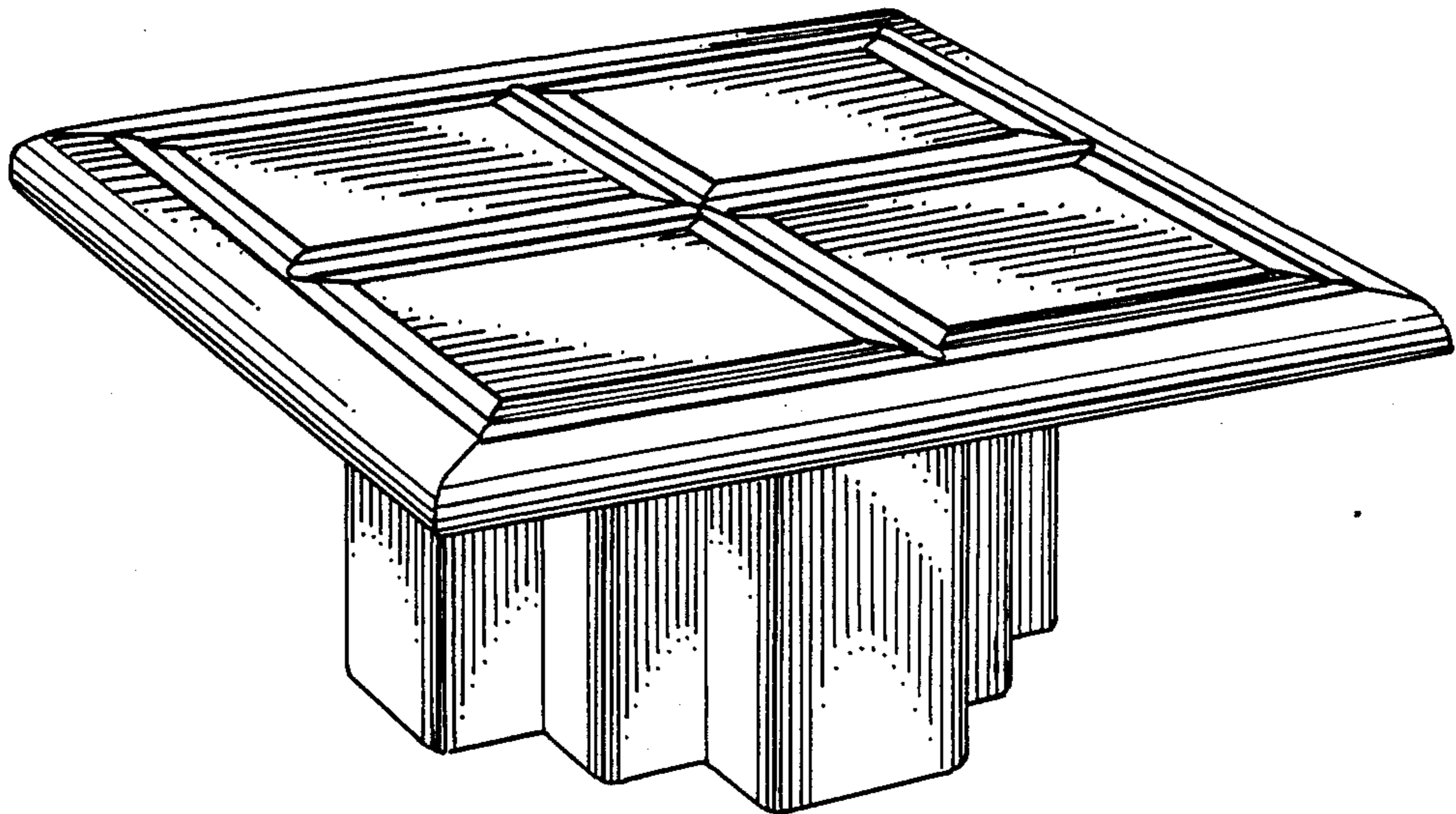


FIG. 1

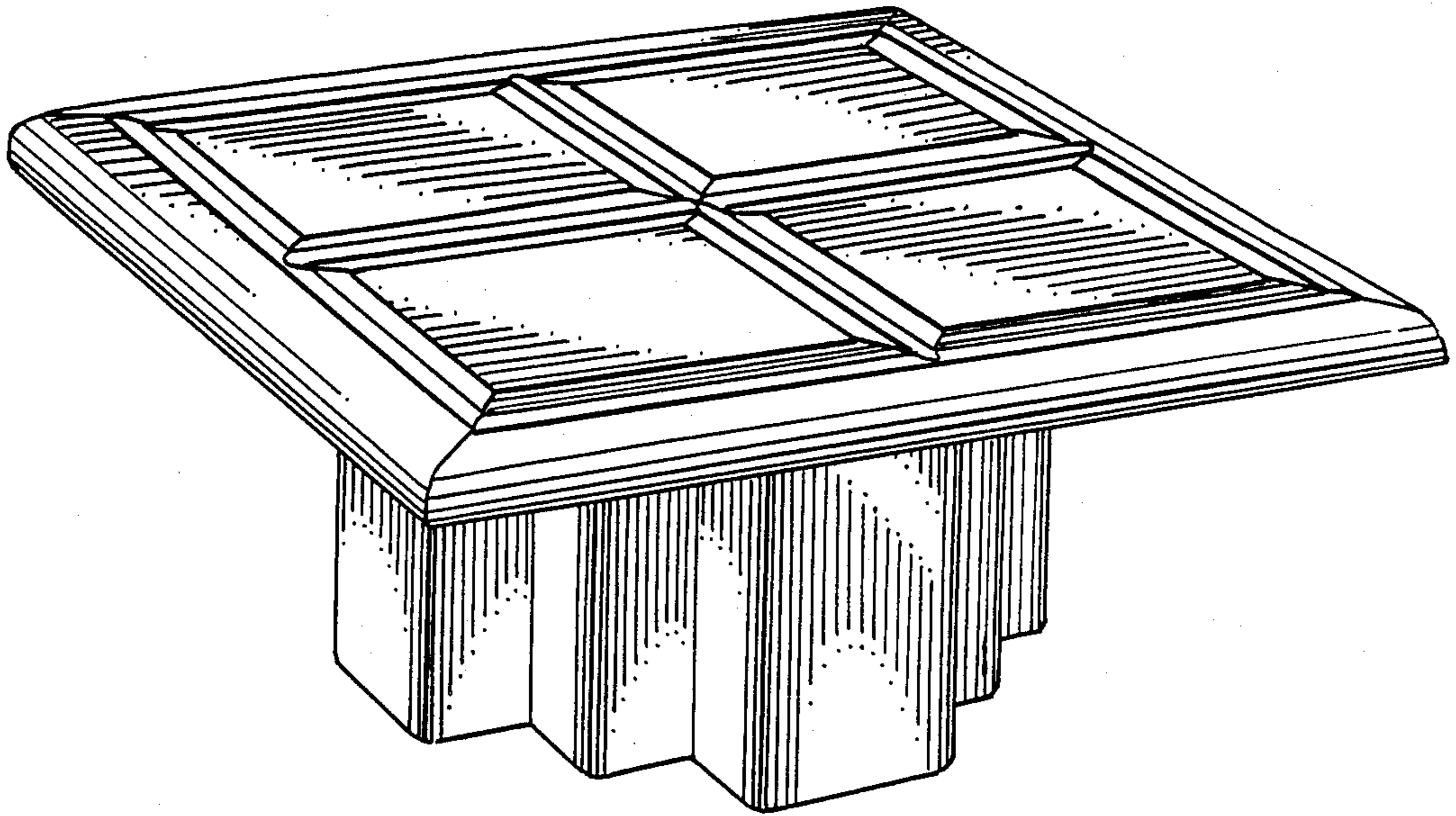


FIG. 2

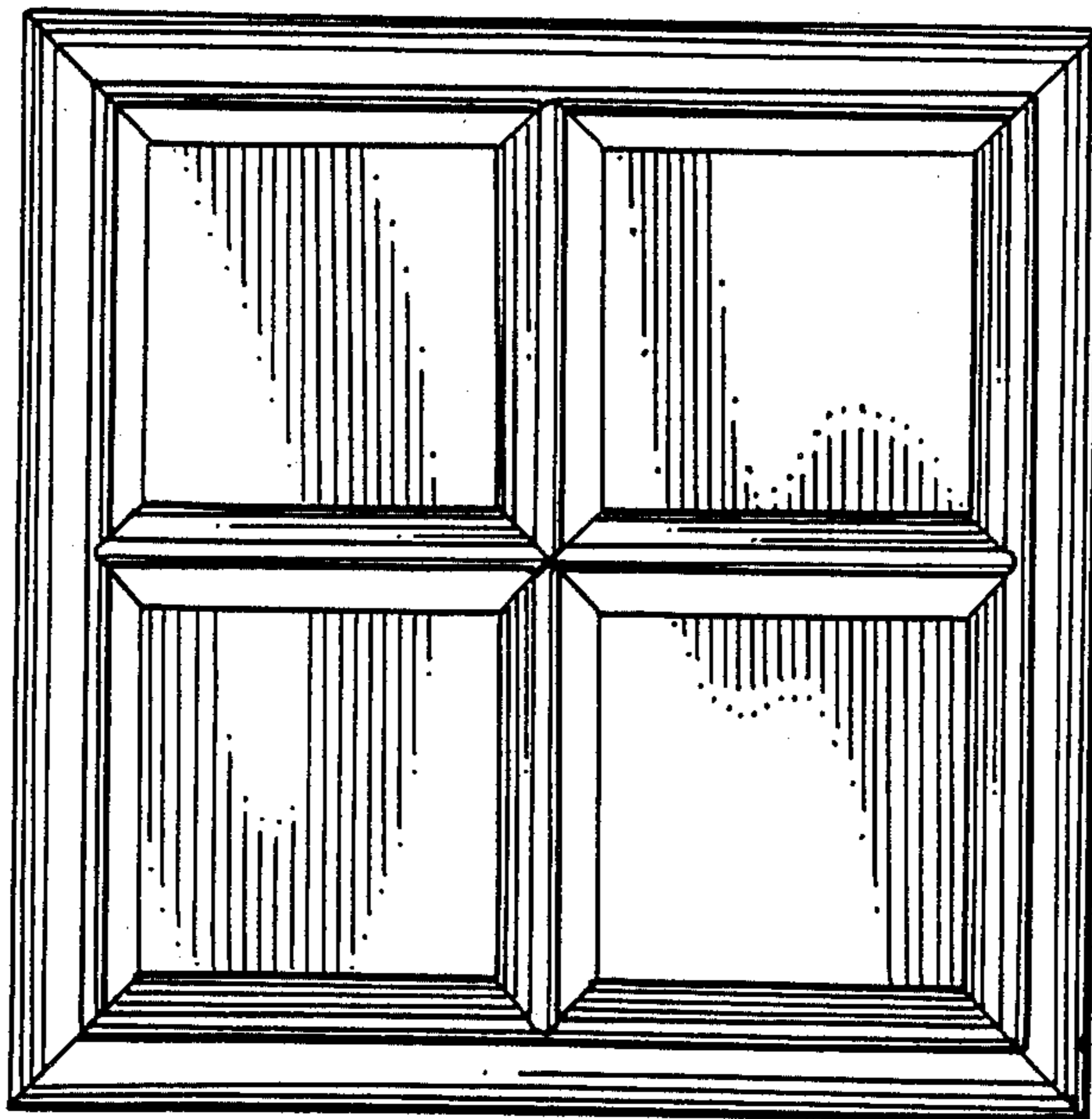


FIG. 3

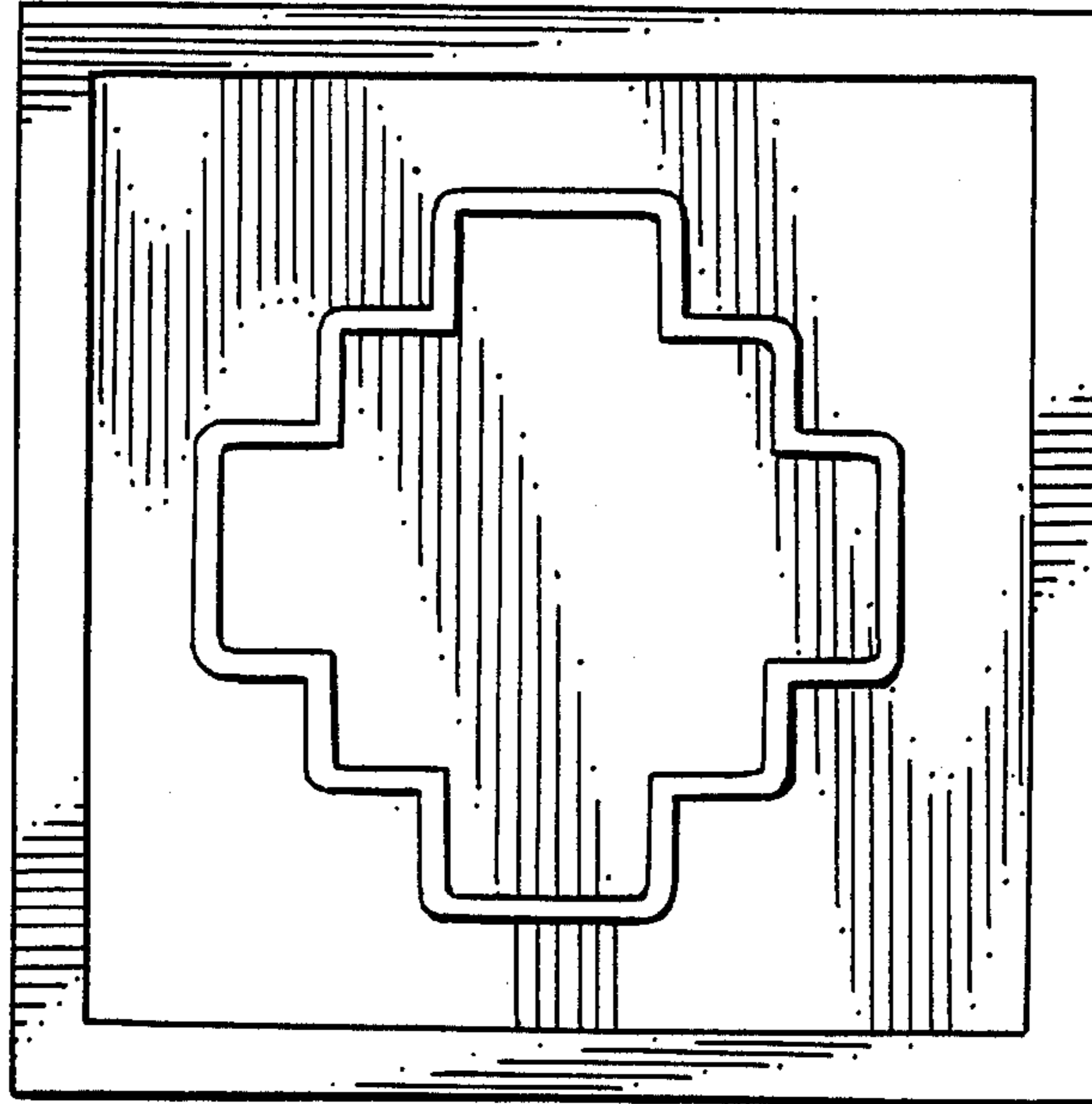


FIG. 4

