

[54] CLAMP FOR A GARMENT HANGER

[75] Inventor: Everett L. Duester, Zeeland, Mich.

[73] Assignee: Batts, Inc., Zeeland, Mich.

[**] Term: 14 Years

[21] Appl. No.: 941,283

[22] Filed: Dec. 12, 1986

[52] U.S. Cl. D6/328; D8/395

[58] Field of Search D6/315-319, D6/326-328; D8/395, 394; D32/61, 64; 211/113; 223/85, 87-96, DIG. 1, DIG. 2, DIG. 4; 24/500, 507, 509, 511

[56] References Cited

U.S. PATENT DOCUMENTS

D. 243,138	1/1977	Coon	D6/326
D. 251,345	3/1979	Bigelow et al.	D6/328
D. 264,662	6/1982	Bisk et al.	D6/328
D. 271,649	12/1983	Batts et al.	D6/328

3,946,915	3/1976	Crane	223/96
4,355,743	10/1982	Erthein	223/96

Primary Examiner—B. J. Bullock
Attorney, Agent, or Firm—Price, Heneveld, Cooper, DeWitt & Litton

[57] CLAIM

The ornamental design for a clamp for a garment hanger, as shown and described.

DESCRIPTION

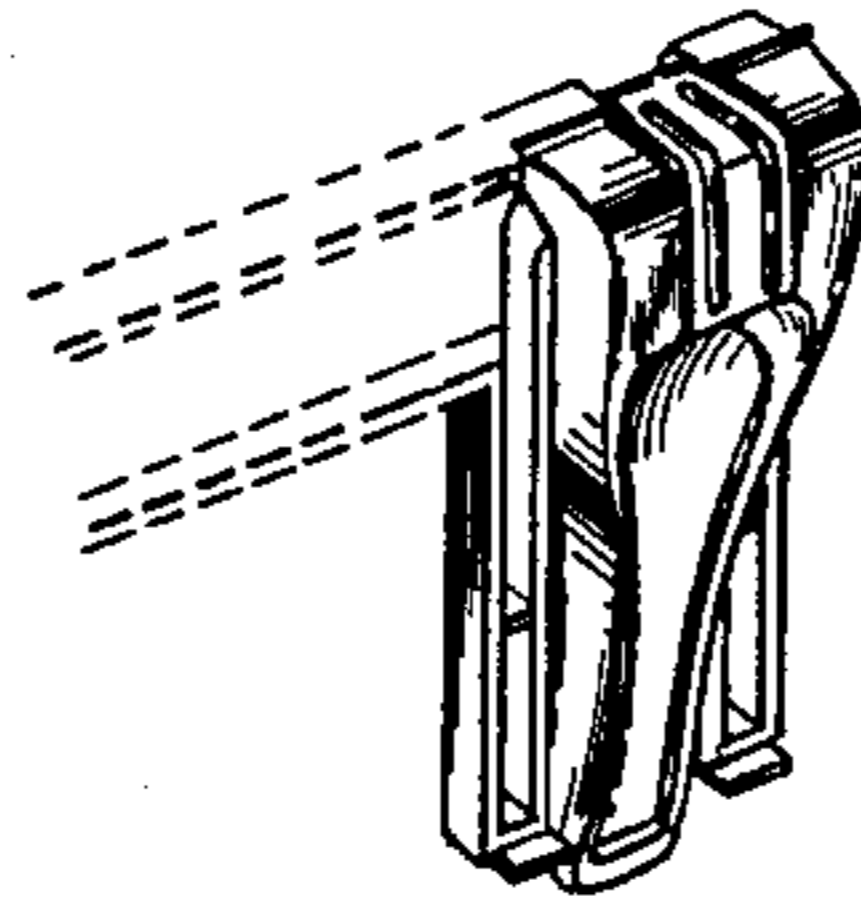
FIG. 1 is a front elevational view of a clamp for a garment hanger showing my new design, the rest of the hanger being shown in broken lines for illustrative purposes only;

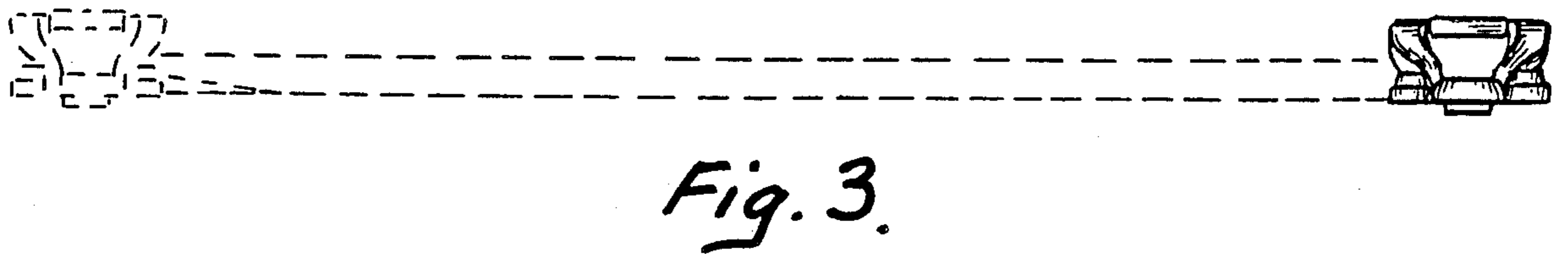
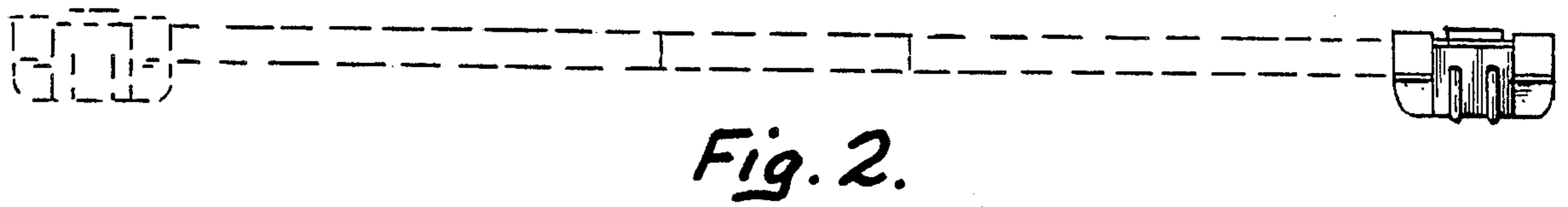
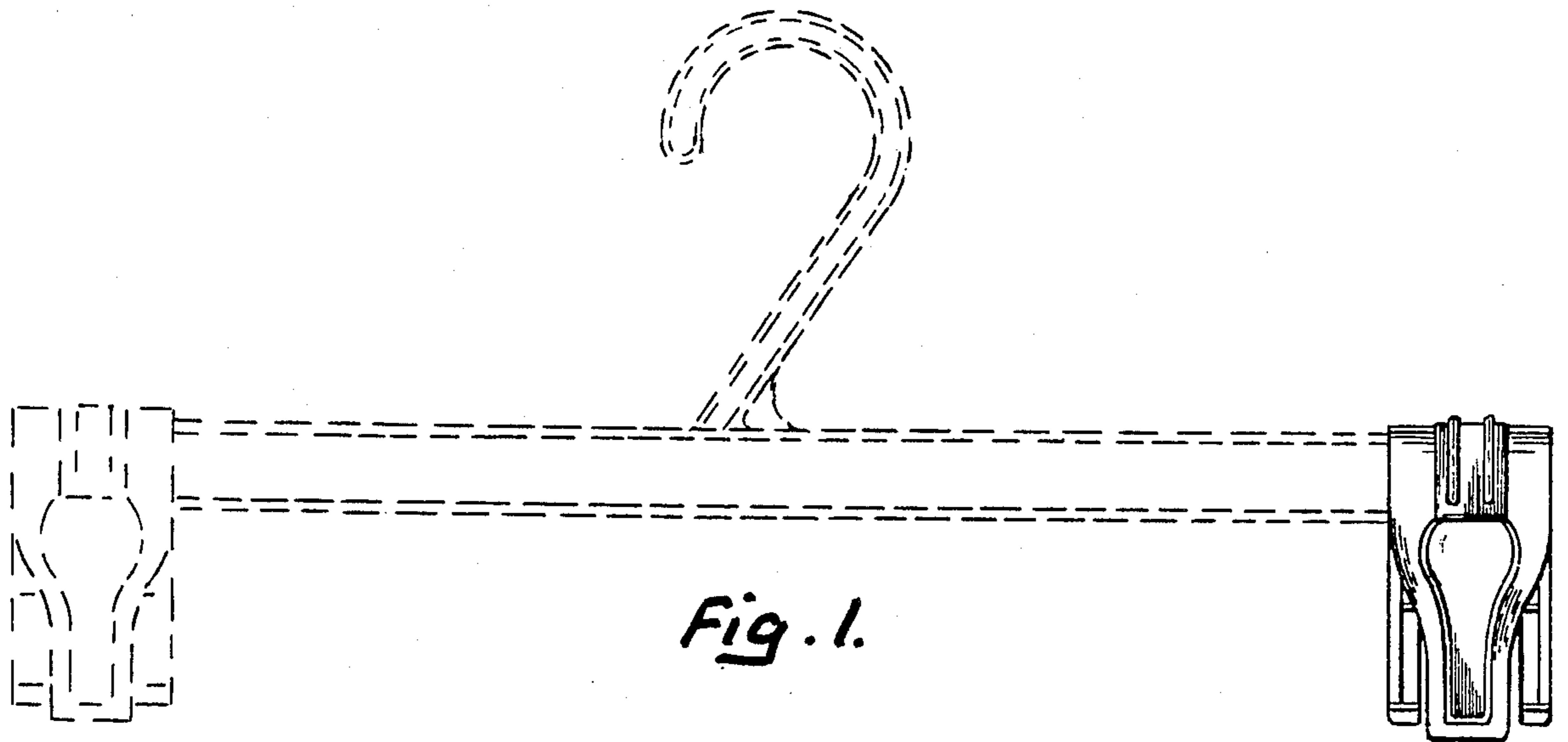
FIG. 2 is a top plan view thereof;

FIG. 3 is a bottom plan view thereof;

FIG. 4 is an enlarged front perspective view thereof, the rear being unornamented;

FIG. 5 is an enlarged left side elevational view thereof, the right side being a mirror image.





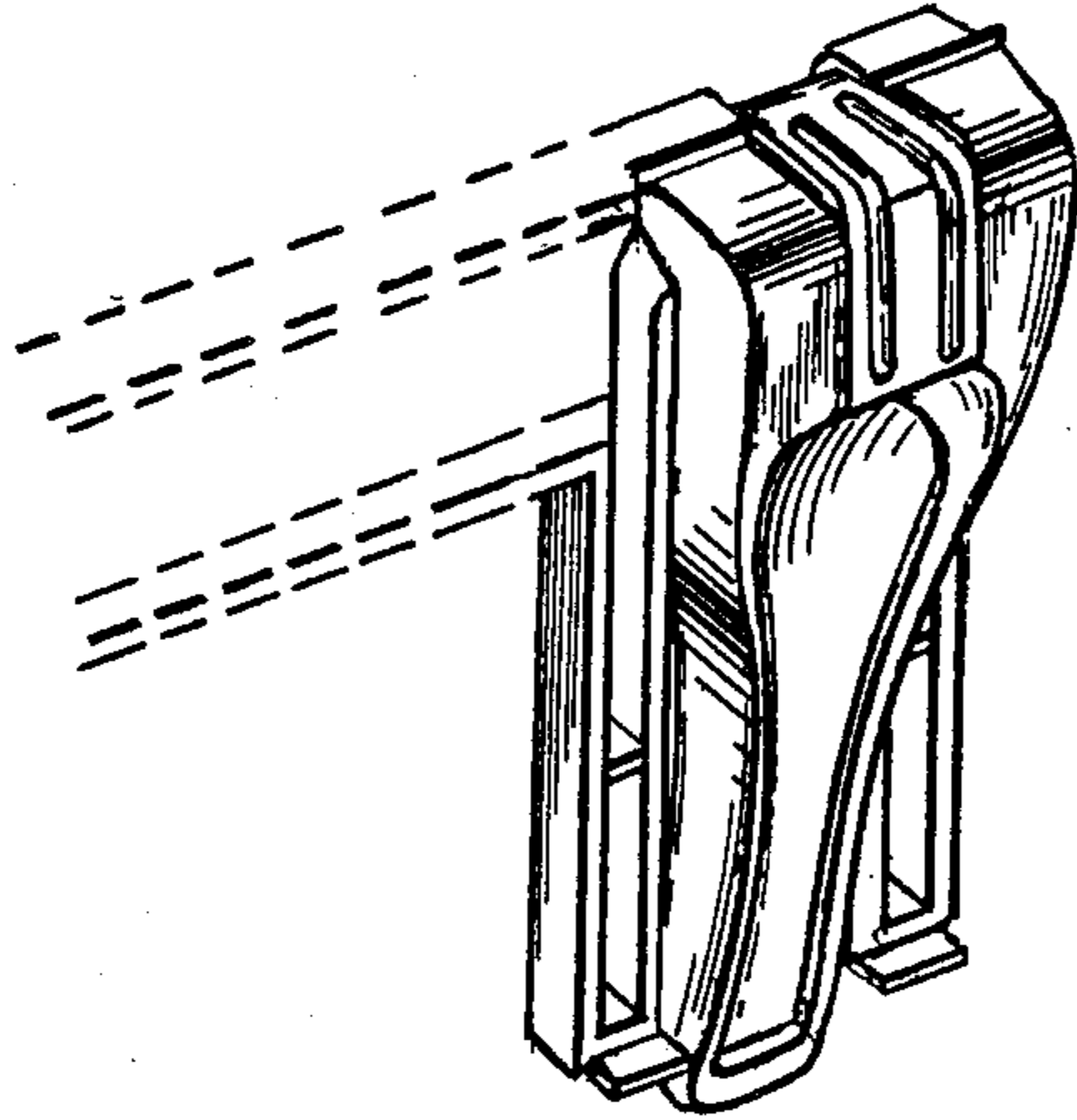


Fig. 4.

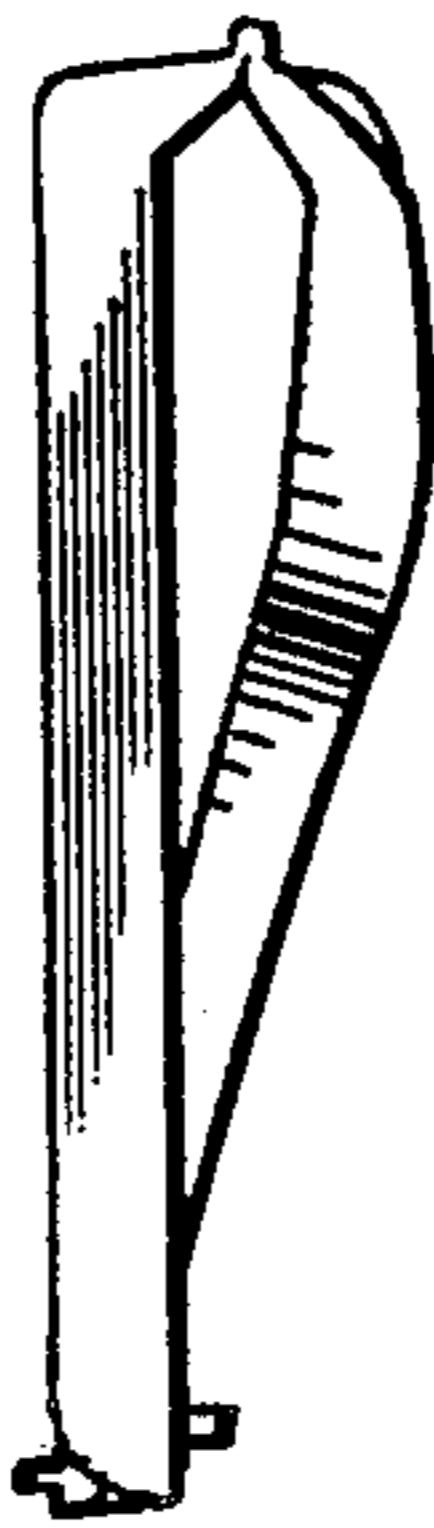


Fig. 5.