

[54] DRUM

[75] Inventors: Bernardus A. Lesscher, Harbrinkhoek, Netherlands; Edward H. Hamilton, Wilmington, Del.; Ralph M. Onstenk, Papendrecht, Netherlands

[73] Assignee: Wavin B.V., Zwolle, Netherlands

[\*\*] Term: 14 Years

[21] Appl. No.: 679,686

[22] Filed: Dec. 10, 1984

[30] Foreign Application Priority Data

Oct. 10, 1984 [XH] Hague ..... 004289

[52] U.S. Cl. .... D34/39; D9/429

[58] Field of Search ..... D9/396, 424, 425, 428, D9/429, 351, 352, 355; D34/39; 220/1 R, 83, 66, 67, 68, 69, 70

[56] References Cited

U.S. PATENT DOCUMENTS

- D. 210,354 3/1968 Cornelius ..... D34/39
- D. 229,892 1/1974 Dubois et al. .... D34/39
- D. 280,706 9/1985 Franek et al. .... D9/428
- 3,561,637 2/1971 McConnell ..... D34/39 X

Primary Examiner—Robert C. Spangler

Attorney, Agent, or Firm—Edmund M. Jaskiewicz

[57] CLAIM

The ornamental design for a drum, as shown and described.

DESCRIPTION

FIG. 1 is a front elevational view of a drum showing our new design;

FIG. 2 is a side elevational view;

FIG. 3 is a top, front perspective view of the closing ring;

FIG. 4 is a top perspective view of the cover it being understood that the ribs partially shown on the top are continuous around the cover as indicated by the radial lines and as shown in FIG. 8;

FIG. 5 is a top, front perspective view of the drum body;

FIG. 6 is an enlarged fragmentary sectional view taken on the line 6—6 of FIG. 3;

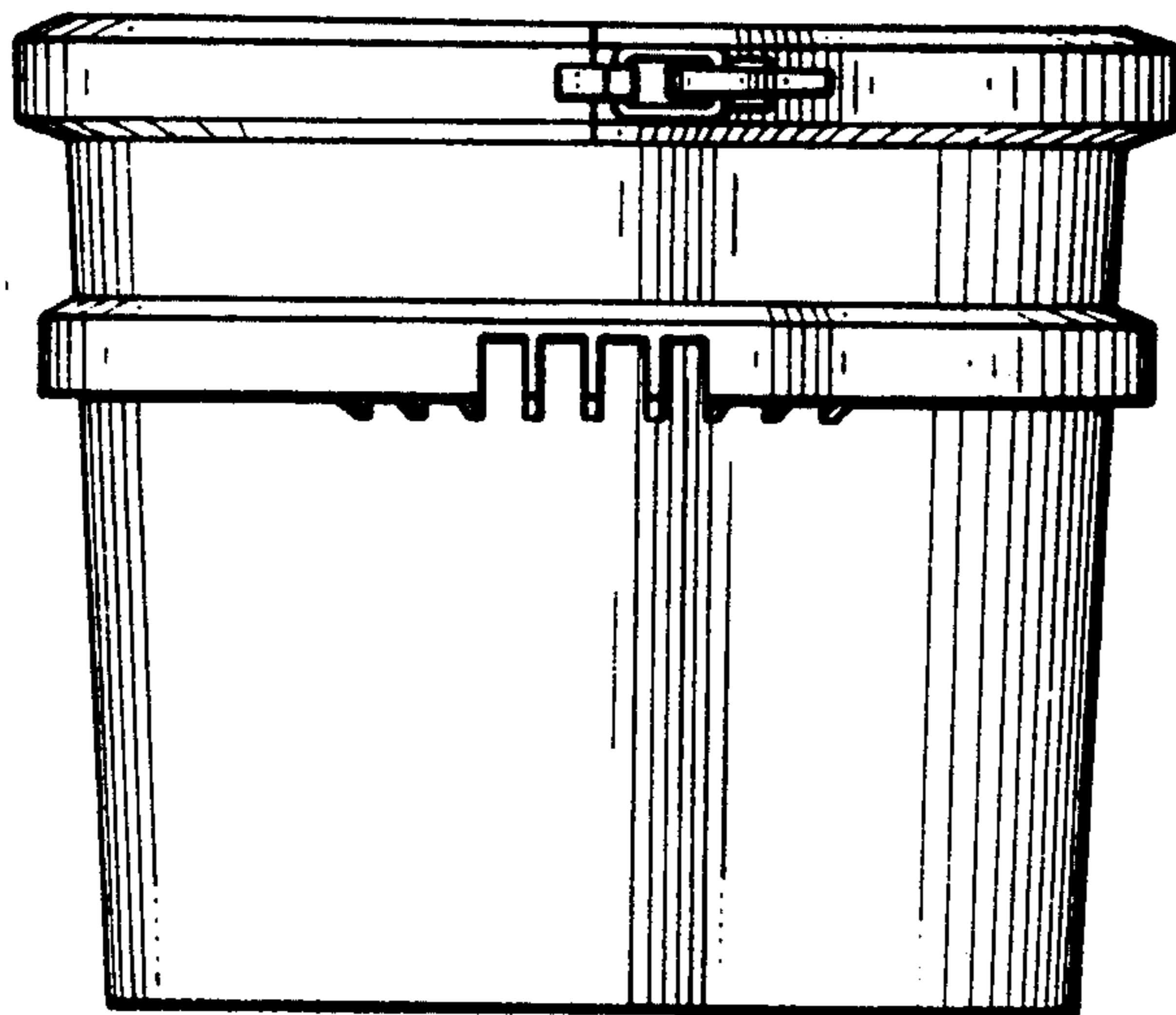
FIG. 7 is an enlarged fragmentary sectional view taken on the line of 7—7 of FIG. 4;

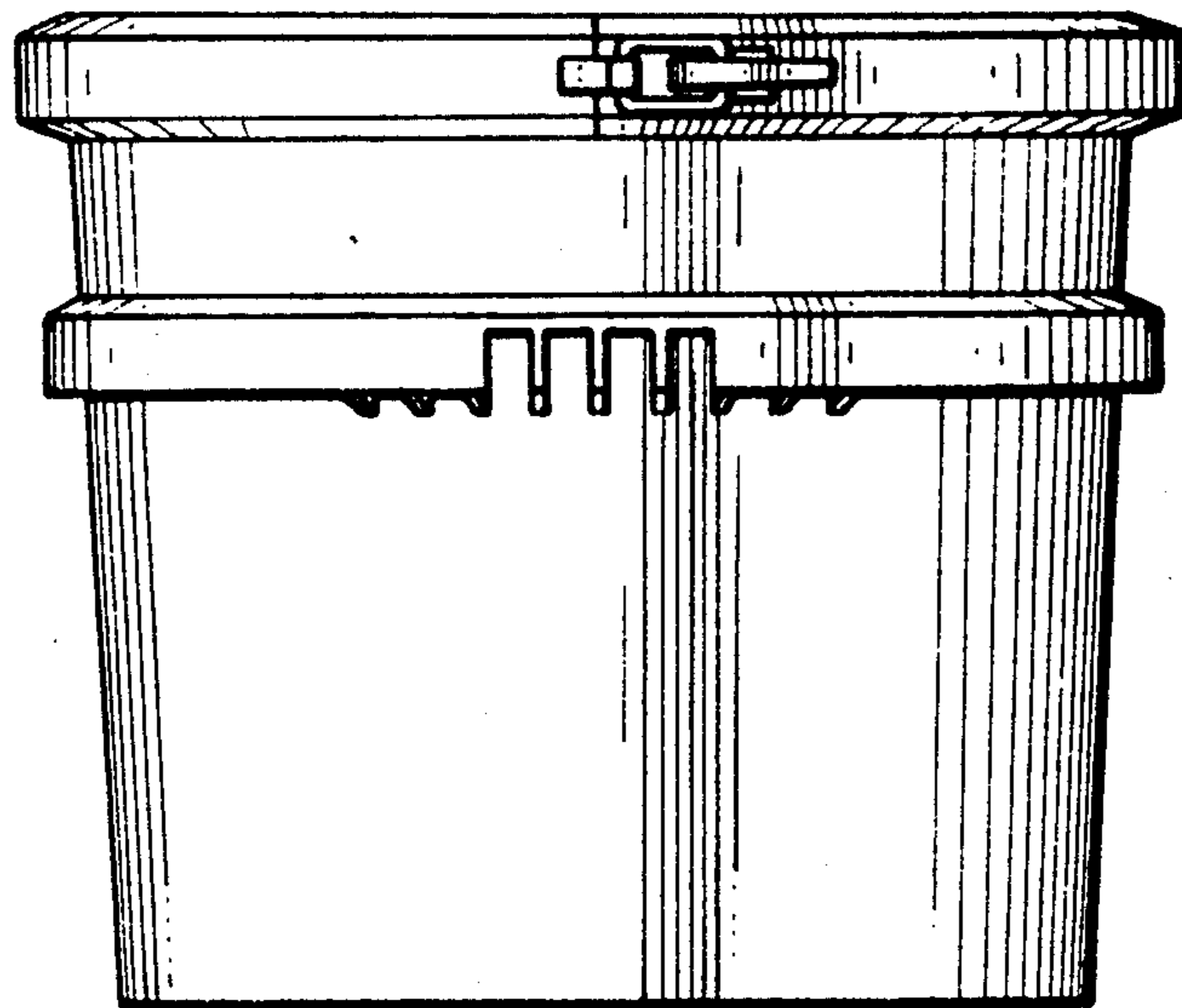
FIG. 8 is an enlarged fragmentary sectional view taken on the line 8—8 of FIG. 5;

FIG. 9 is an enlarged fragmentary view taken on the line 9—9 of FIG. 11;

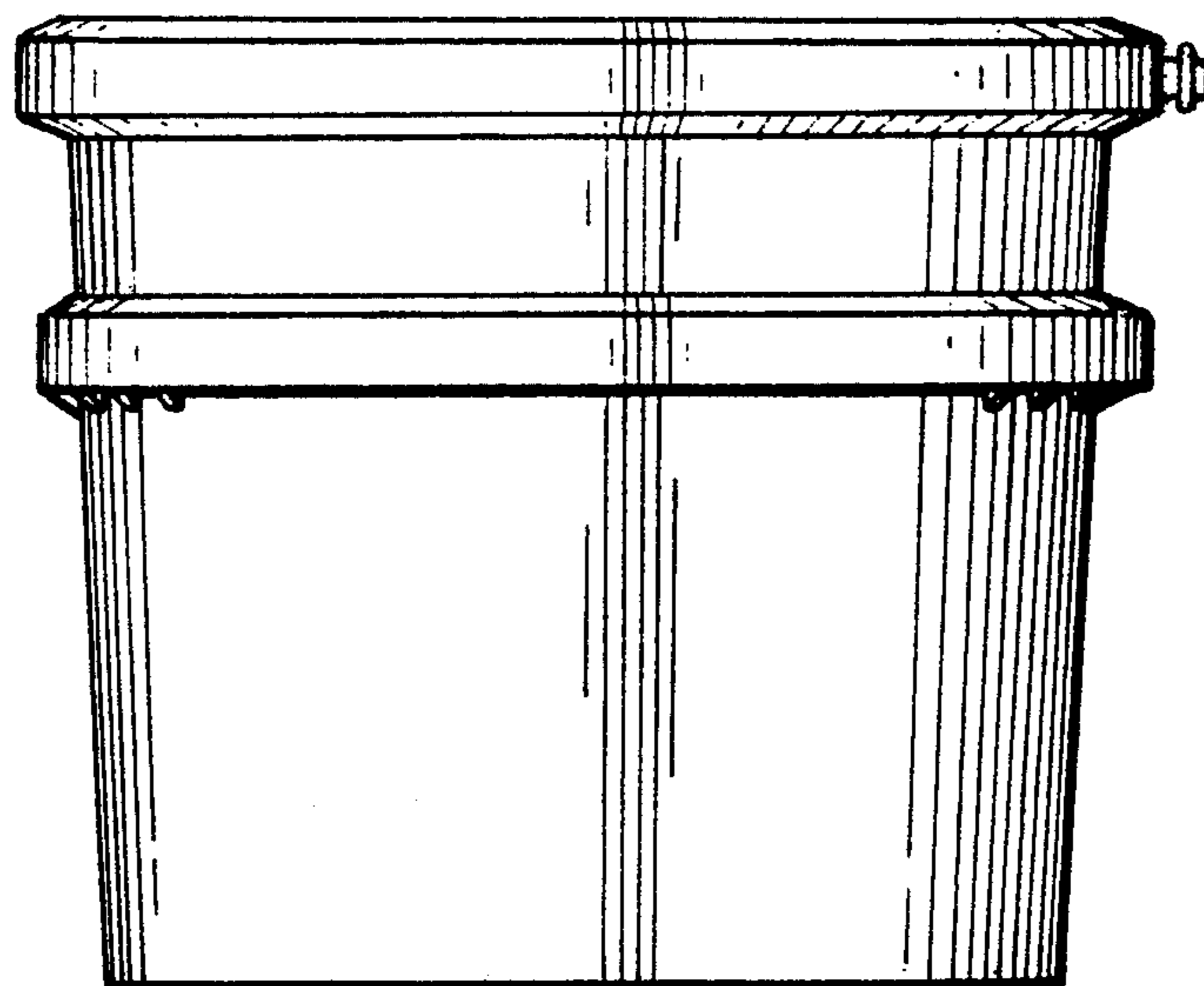
FIG. 10 is an enlarged top plan view of the drum with the closing ring and cover in place; and

FIG. 11 is an enlarged bottom plan view of the drum.

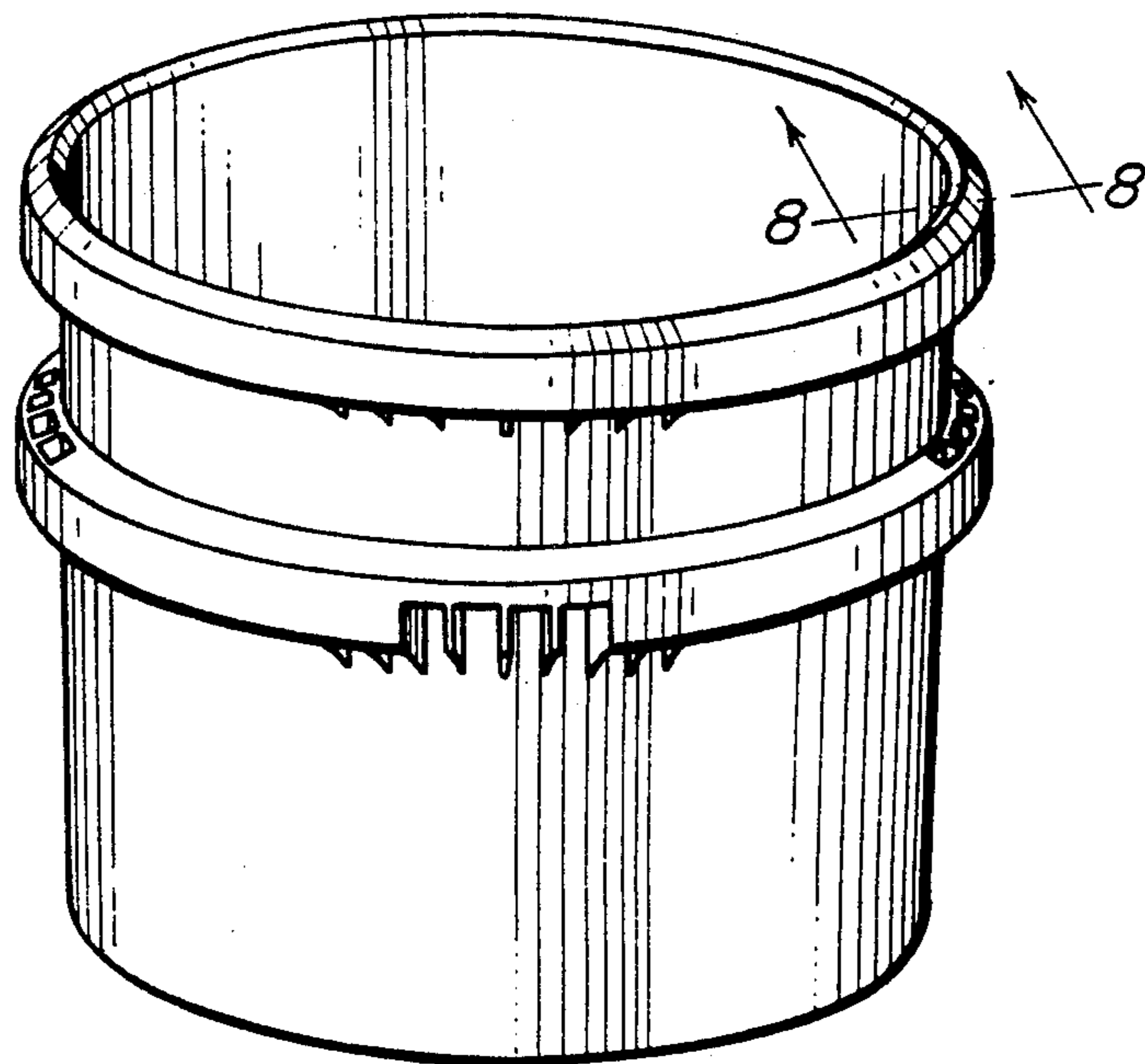
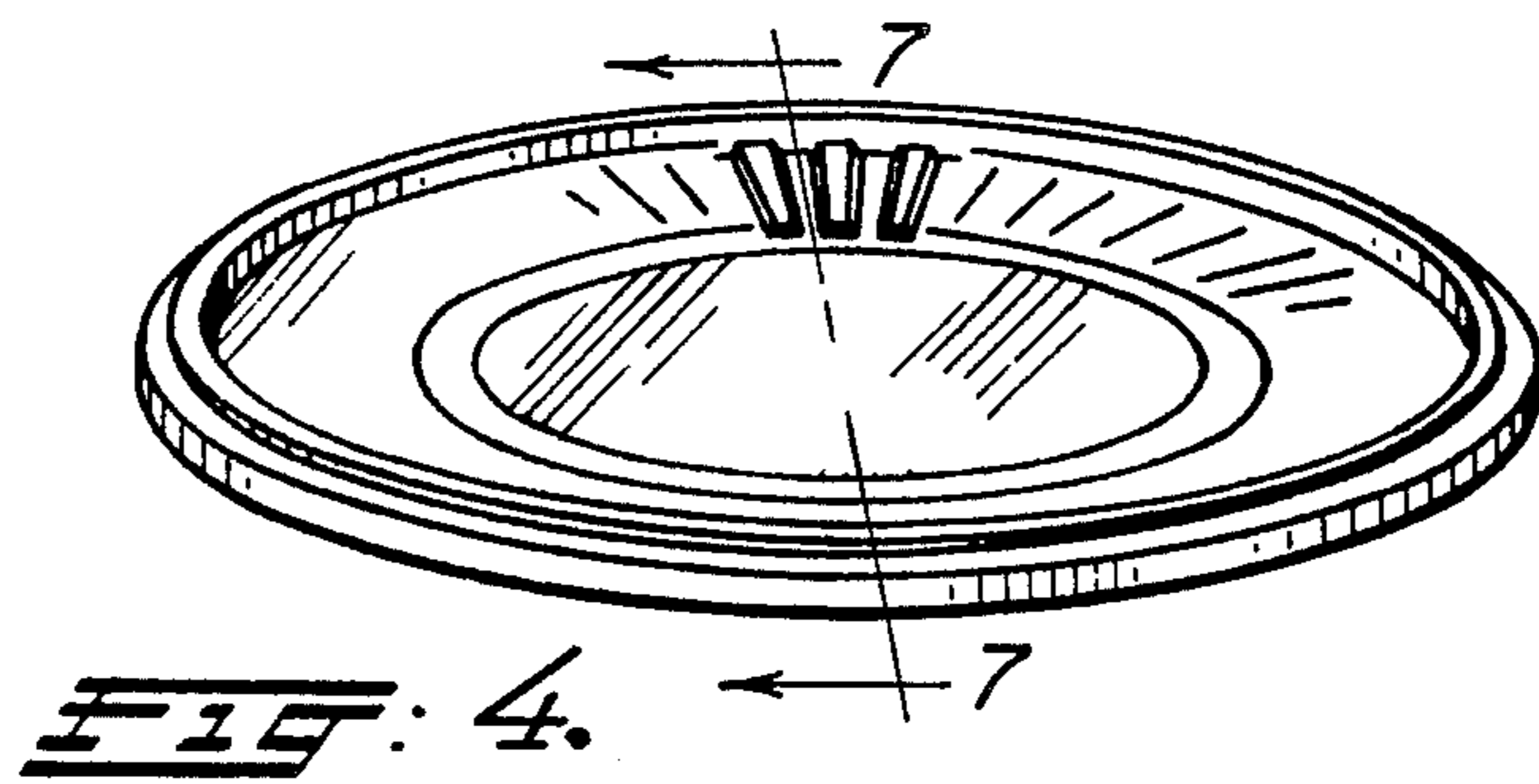
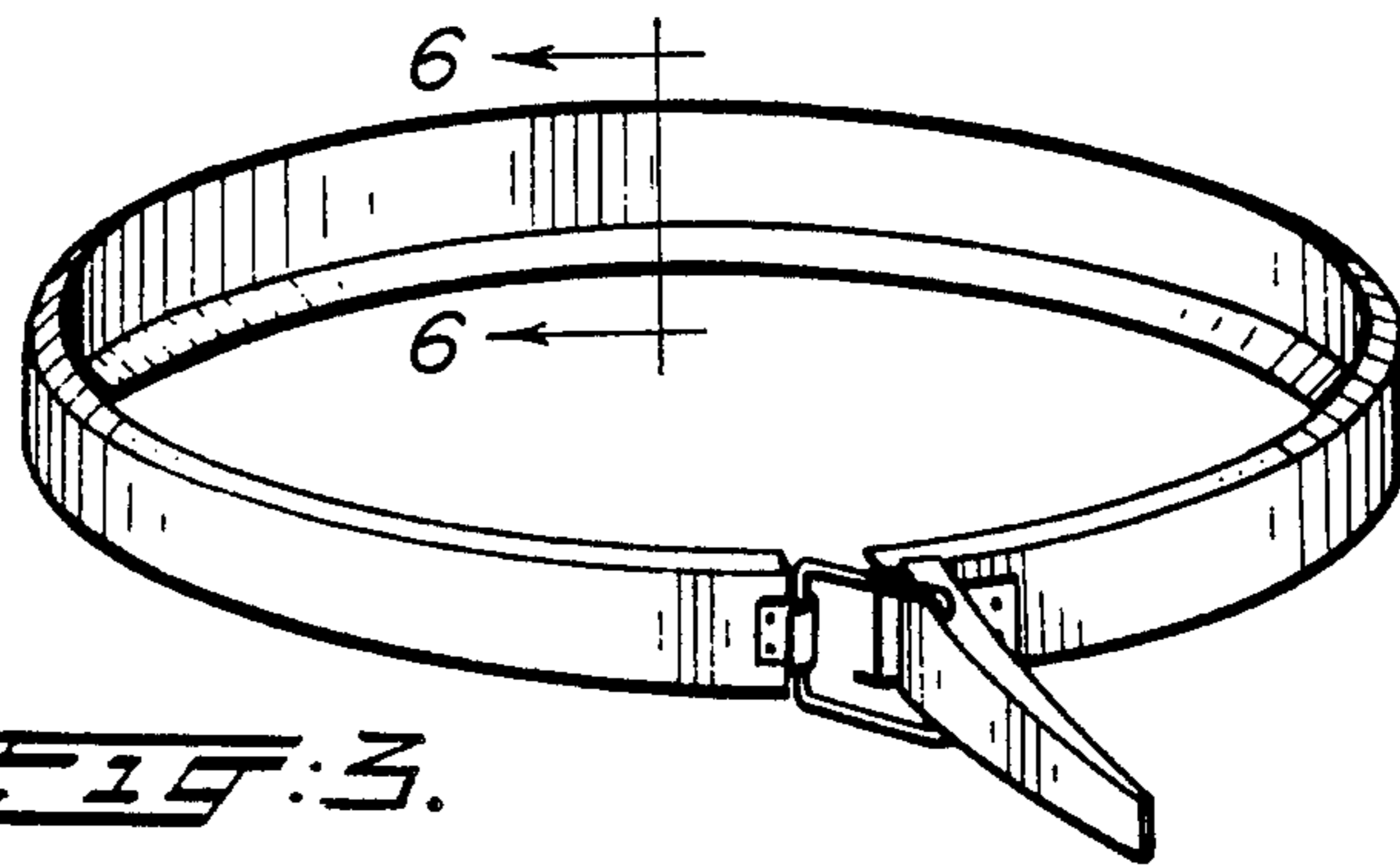




*FIG. 1.*



*FIG. 2.*



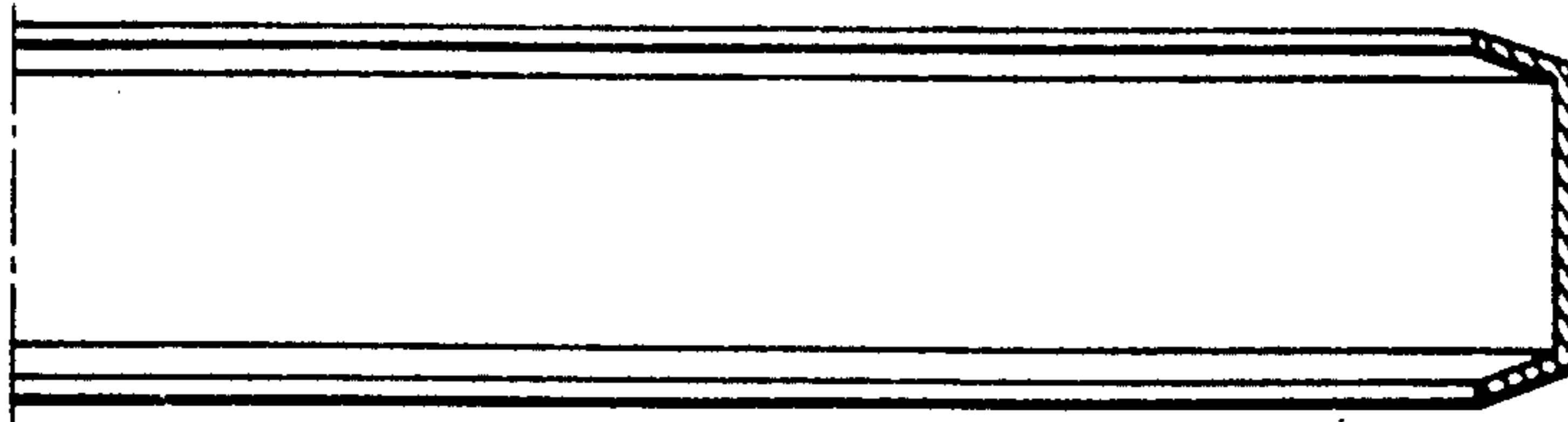


FIG. 6.

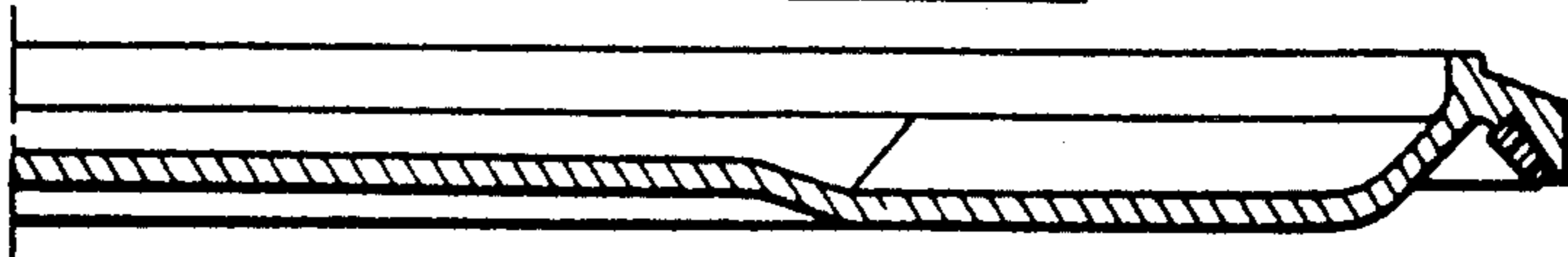


FIG. 7.

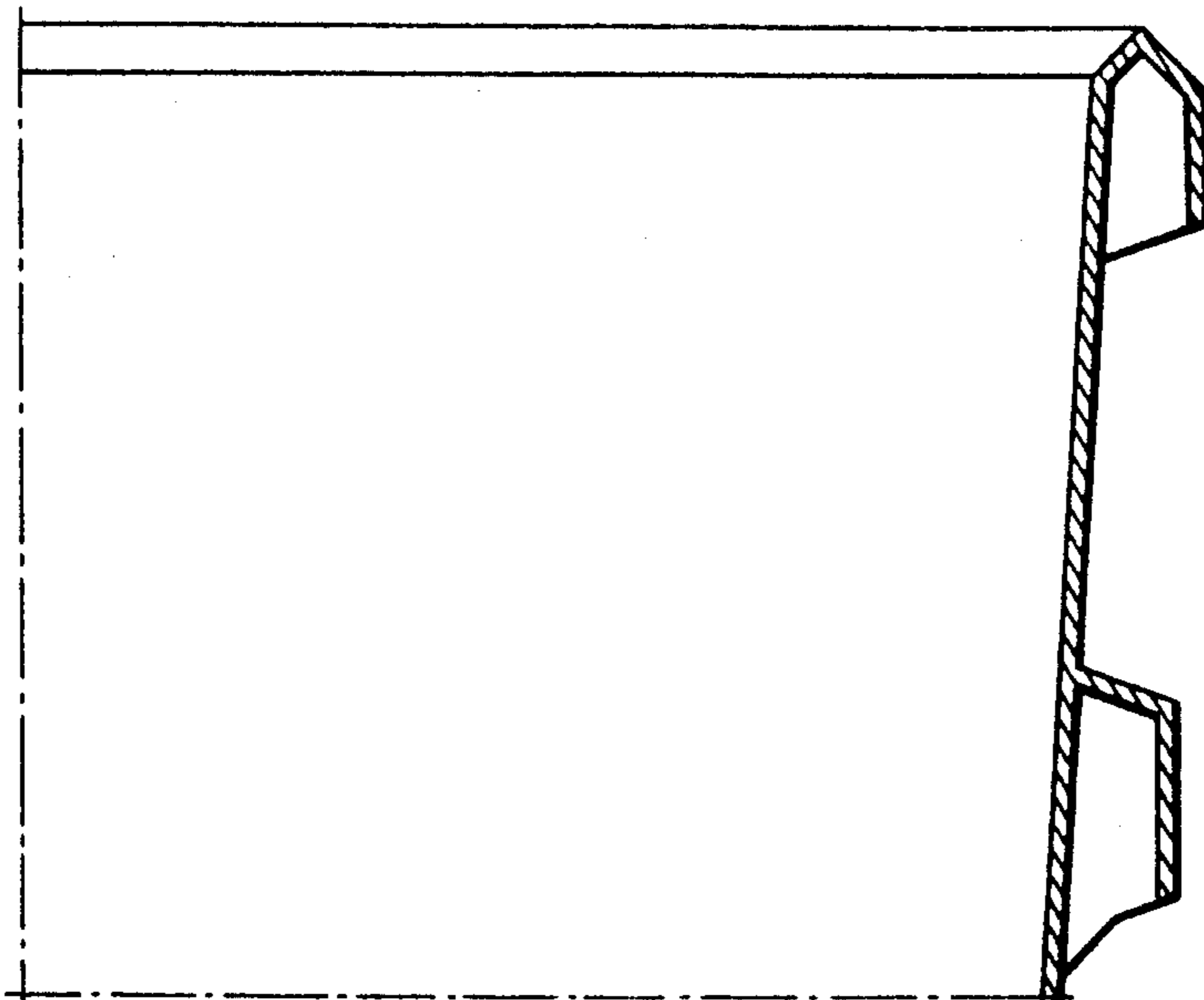


FIG. 8.



FIG. 9.

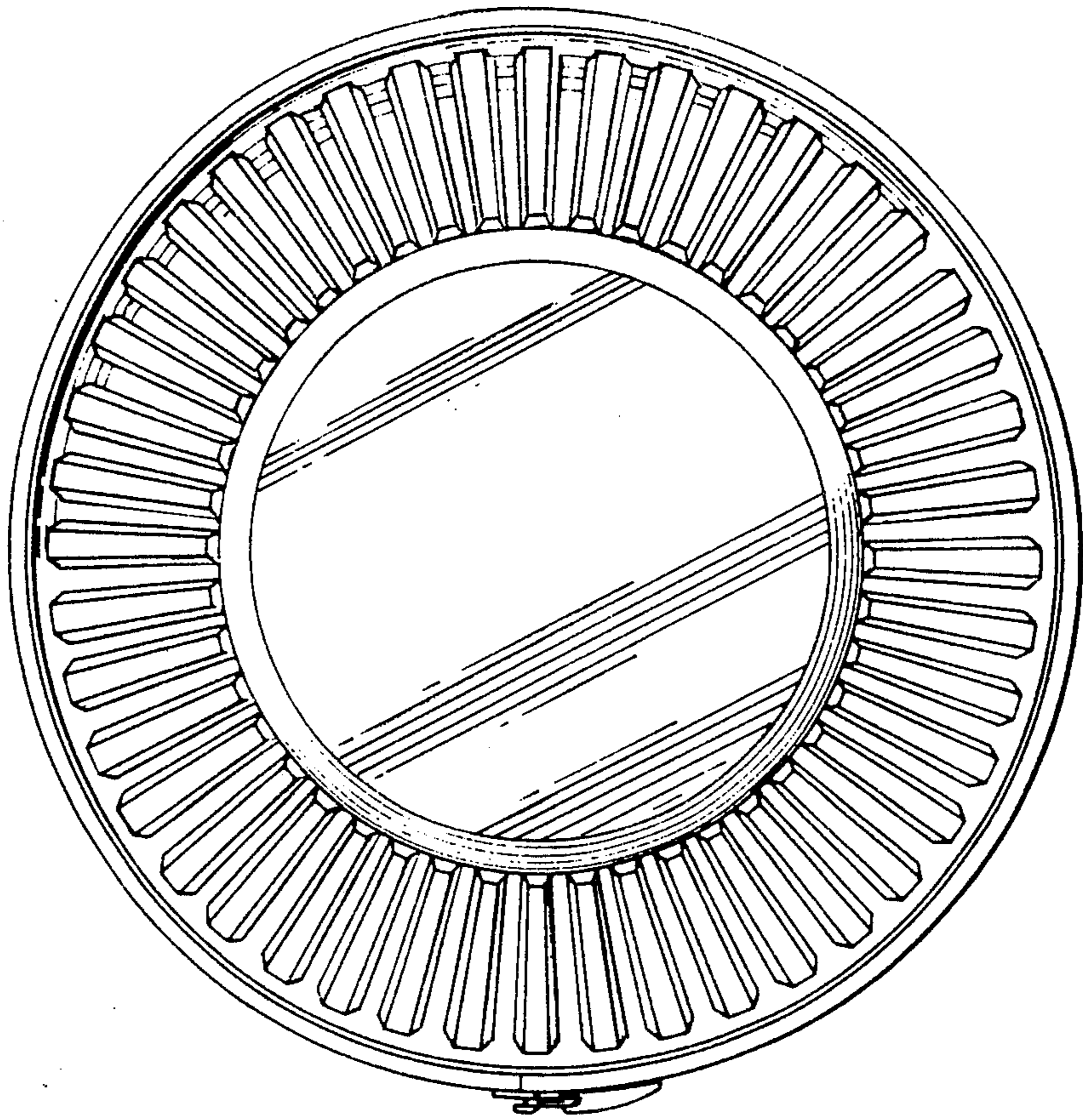


FIG. 10.

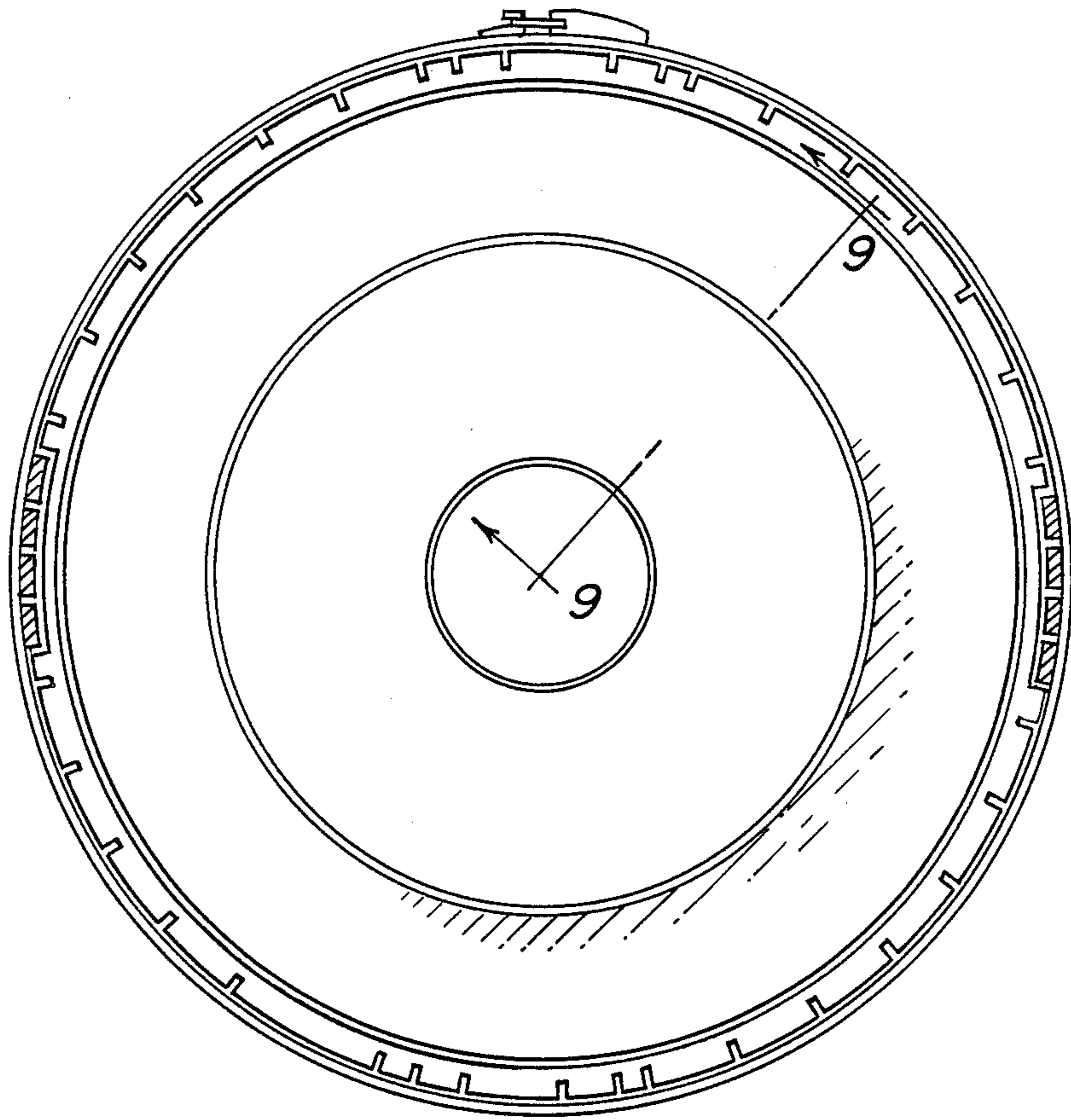


Fig. 11.