

United States Patent [19]

Nelson

[11] Patent Number: **Des. 298,373**

[45] Date of Patent: **** Nov. 1, 1988**

[54] **VEHICLE WASH AND DRYER**

[75] Inventor: **James A. Nelson, Des Moines, Iowa**

[73] Assignee: **Ryko Manufacturing Company**

[**] Term: **14 Years**

[21] Appl. No.: **769,667**

[22] Filed: **Aug. 26, 1985**

[52] U.S. Cl. **D32/4**

[58] Field of Search **D32/1, 4-5;**
134/57 R, 45, 123; 15/301-302, 306 R, 308,
309, DIG. 2, 312 R, 21 D, 21 E; 239/209;
34/243 C

3,755,844 9/1973 Ennis 15/53 R

3,783,466 1/1974 Bernardi 15/21 D

3,798,696 3/1974 Cirino 15/21 E

3,877,107 4/1975 Cirino 15/312 R

3,994,041 11/1976 Barker 15/312 R

4,303,087 12/1981 Flaxman 15/312 R

Primary Examiner—Wallace R. Burke
Assistant Examiner—Ruth Takemoto
Attorney, Agent, or Firm—Allegretti & Witcoff, Ltd.

[57] CLAIM

The ornamental design for a vehicle wash and dryer, as shown and described.

DESCRIPTION

FIG. 1 is a left front isometric view of a vehicle wash and dryer showing my new design;
 FIG. 2 is a top plan view thereof;
 FIG. 3 is a right side elevational view thereof;
 FIG. 4 is a left side elevational view thereof;
 FIG. 5 is a front elevational view thereof;
 FIG. 6 is a rear elevational view thereof; and
 FIG. 7 is a bottom plan view thereof.

[56] **References Cited**

U.S. PATENT DOCUMENTS

D. 185,396 6/1959 Sundberg D6/438

D. 185,397 6/1959 Thompson D32/4

D. 185,919 8/1959 Fruchter D32/4

D. 247,437 3/1978 Nelson D32/4

3,557,808 1/1971 Gusse et al. 134/45

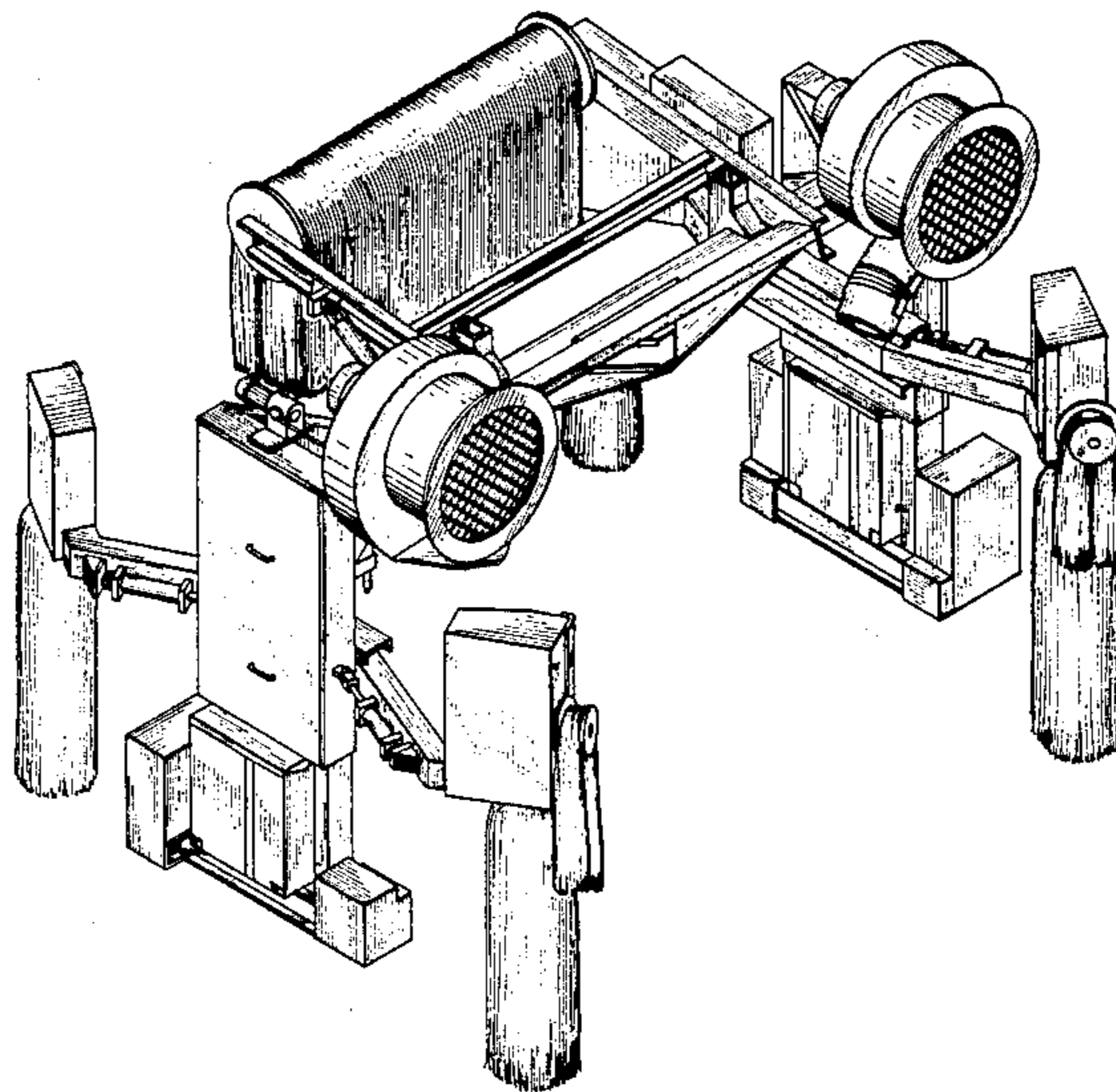


Fig. 1

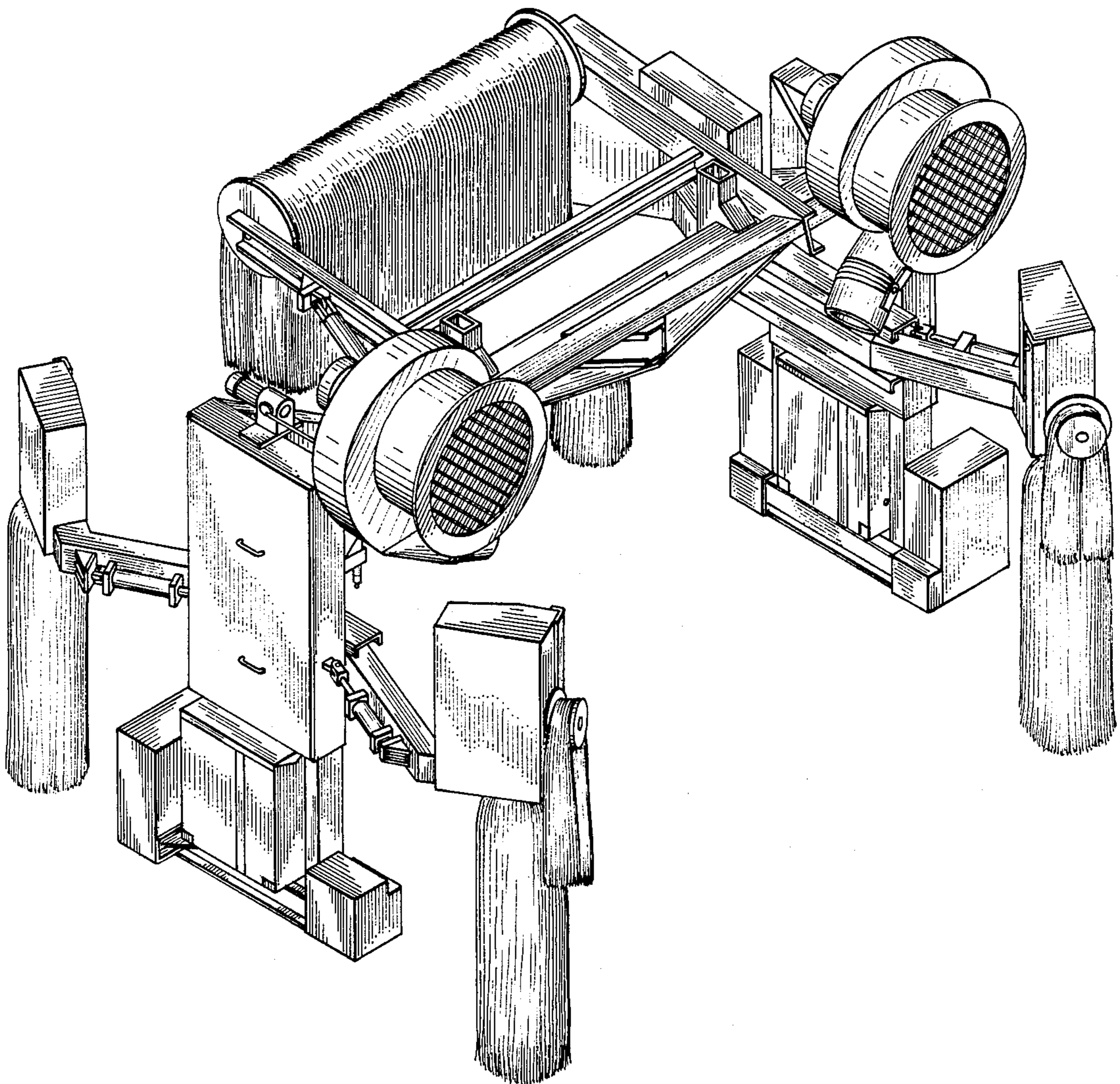


Fig. 2

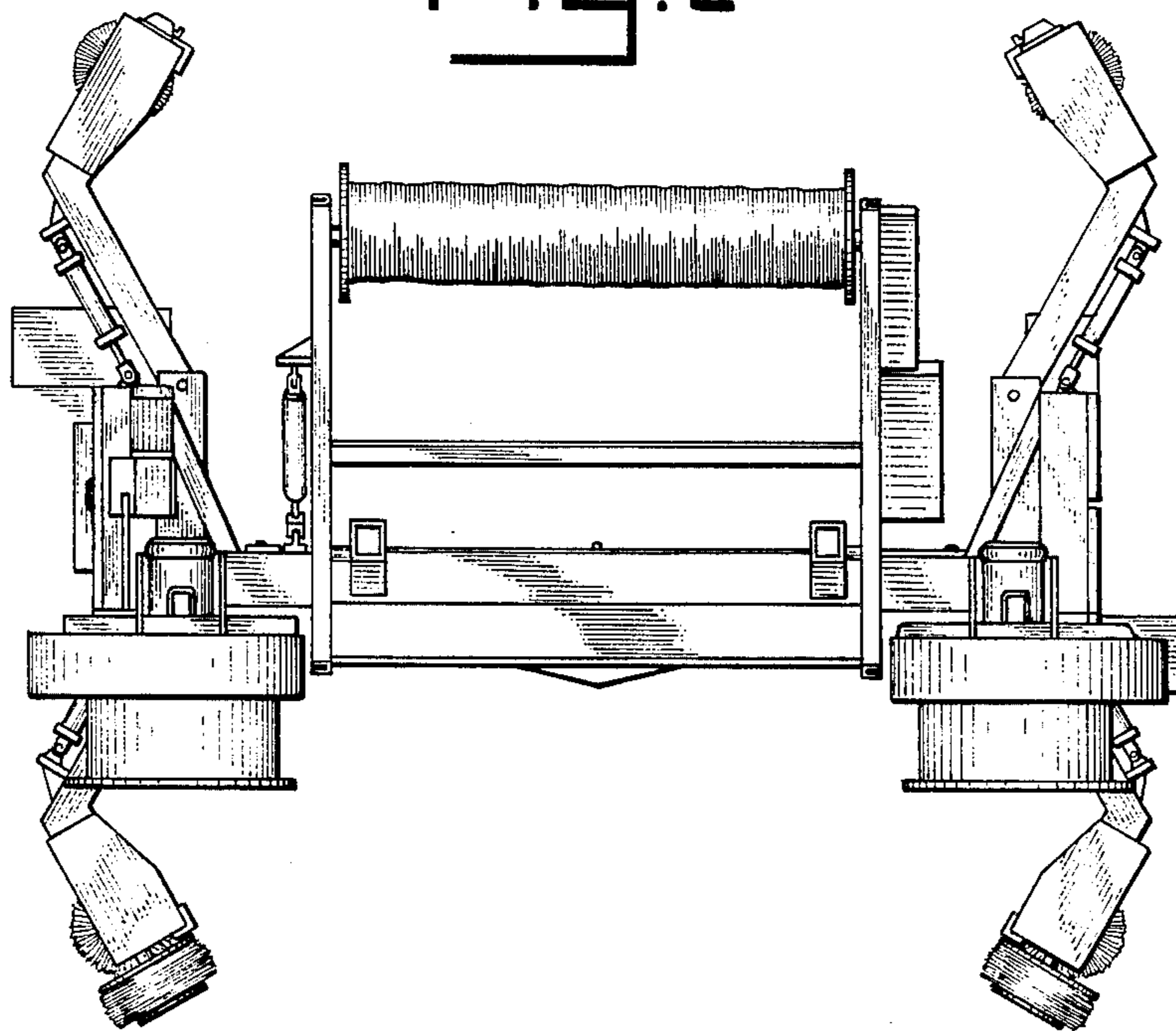


Fig. 3

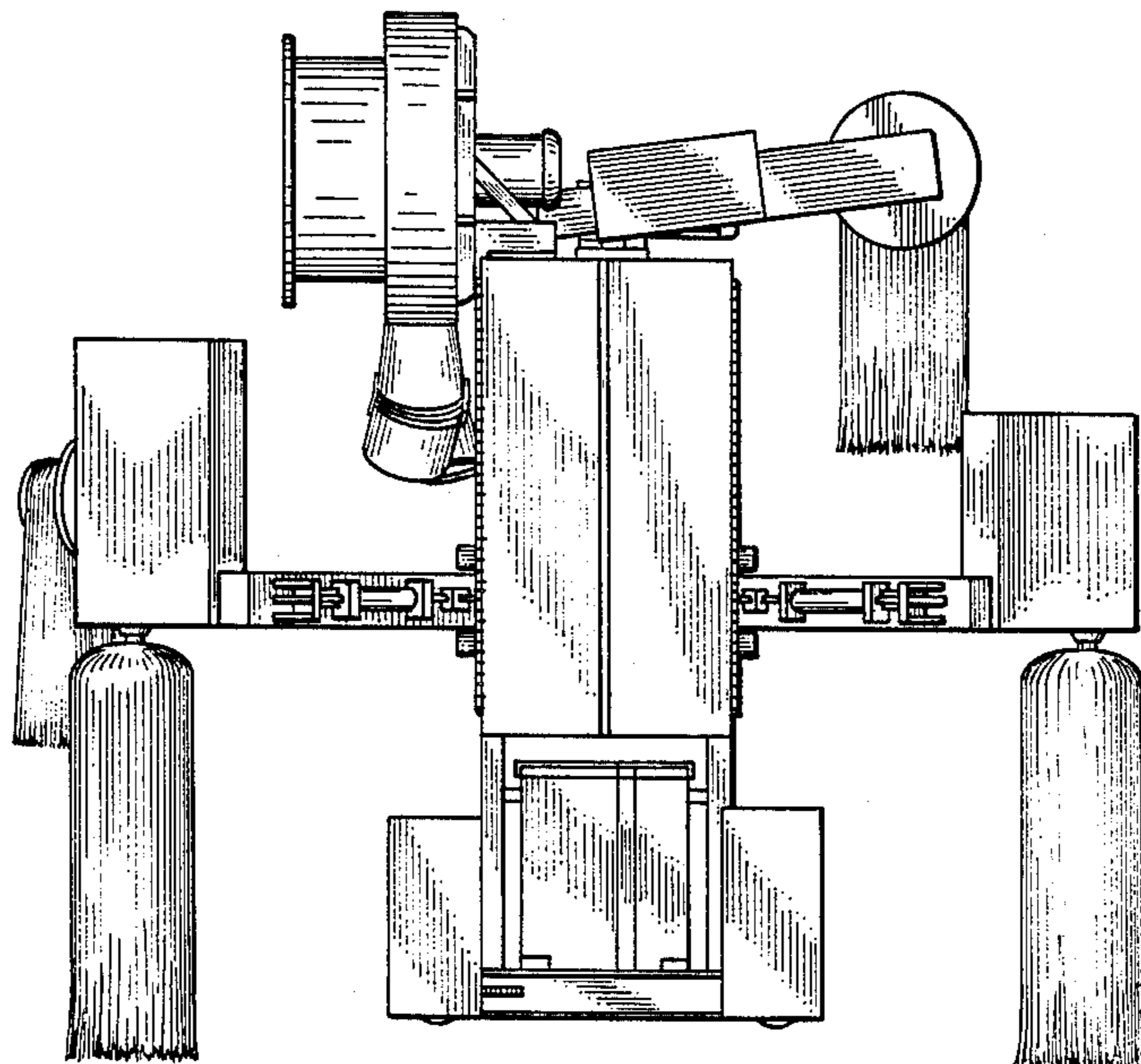


Fig. 4

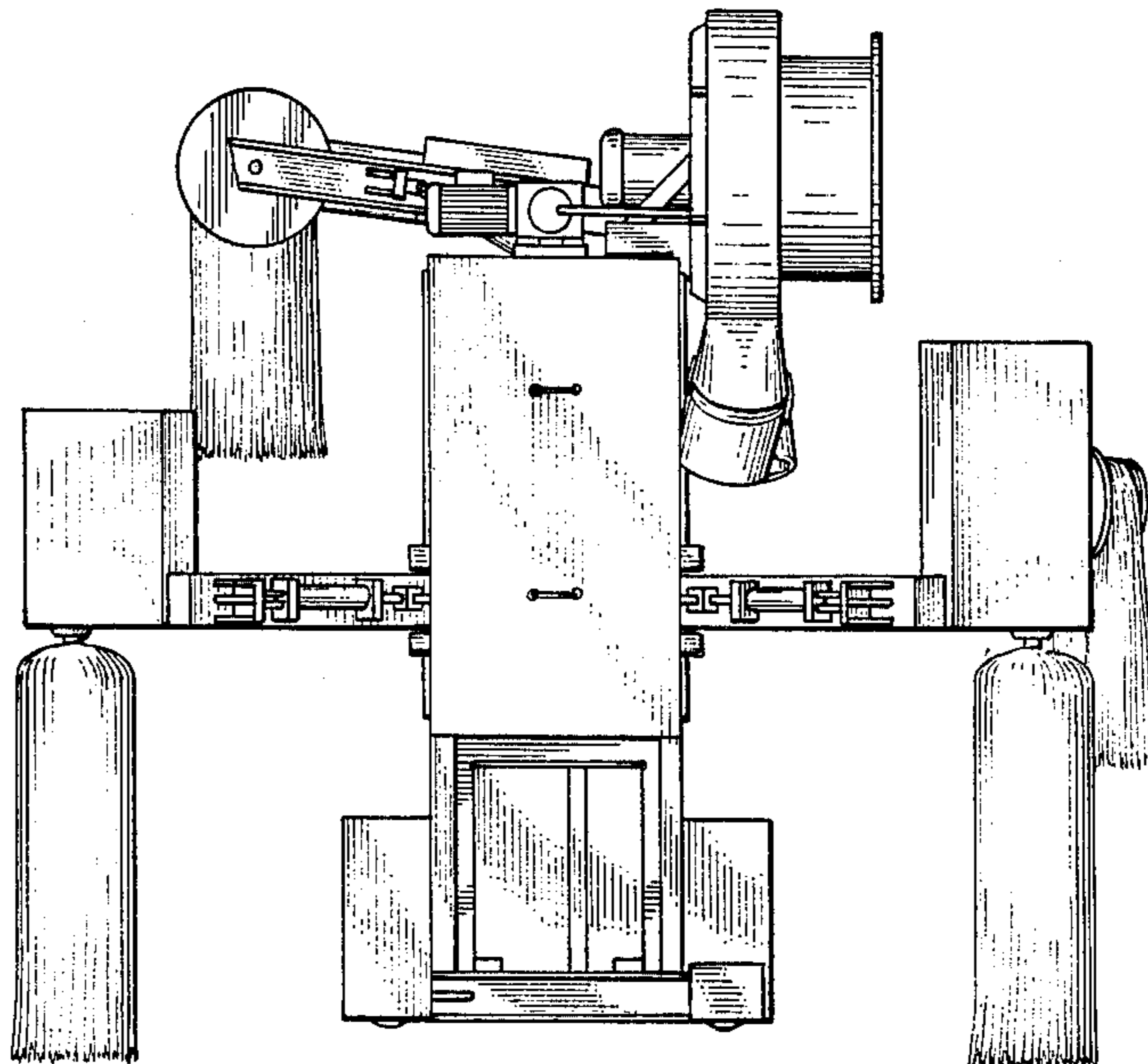


Fig. 5

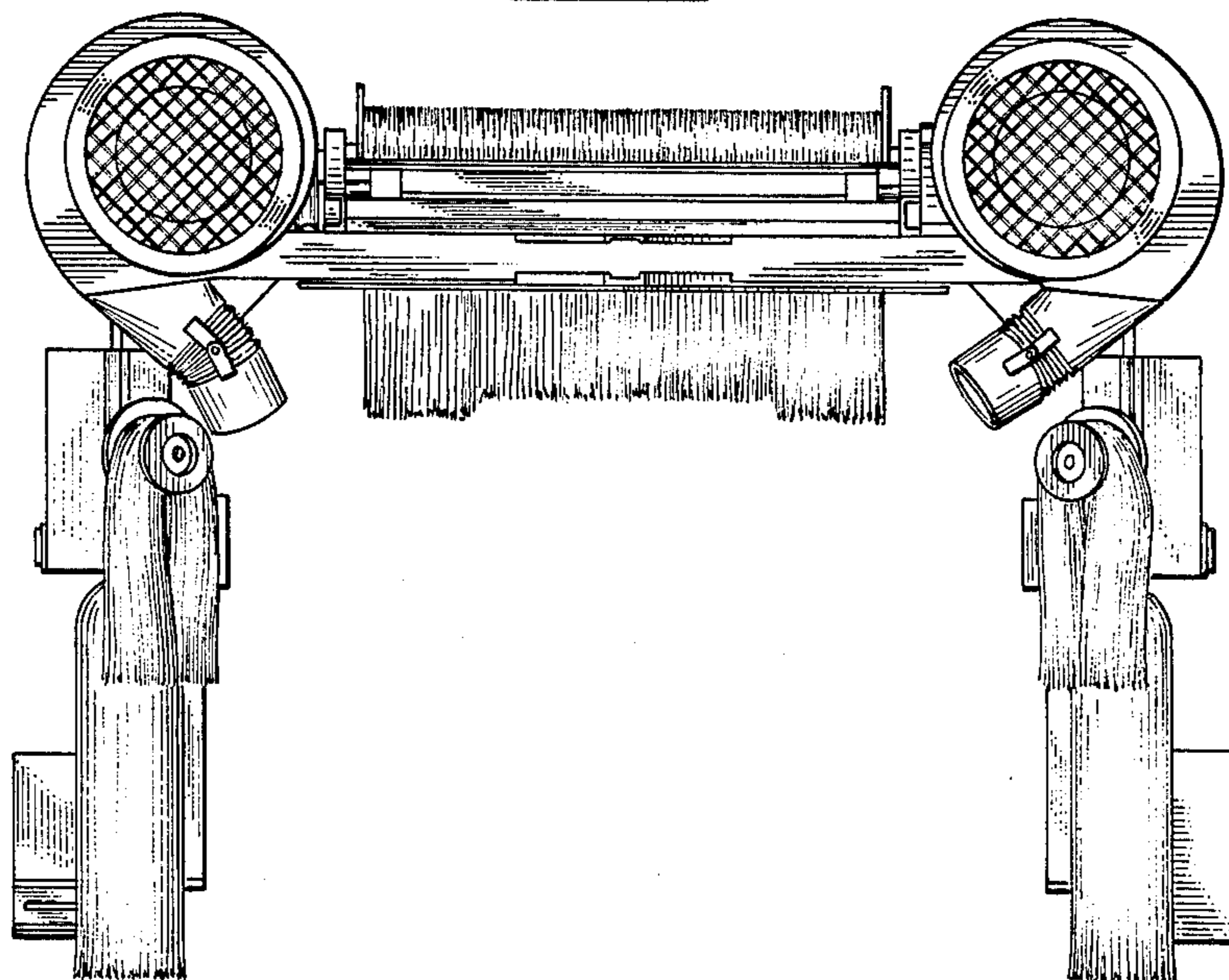


Fig. 6

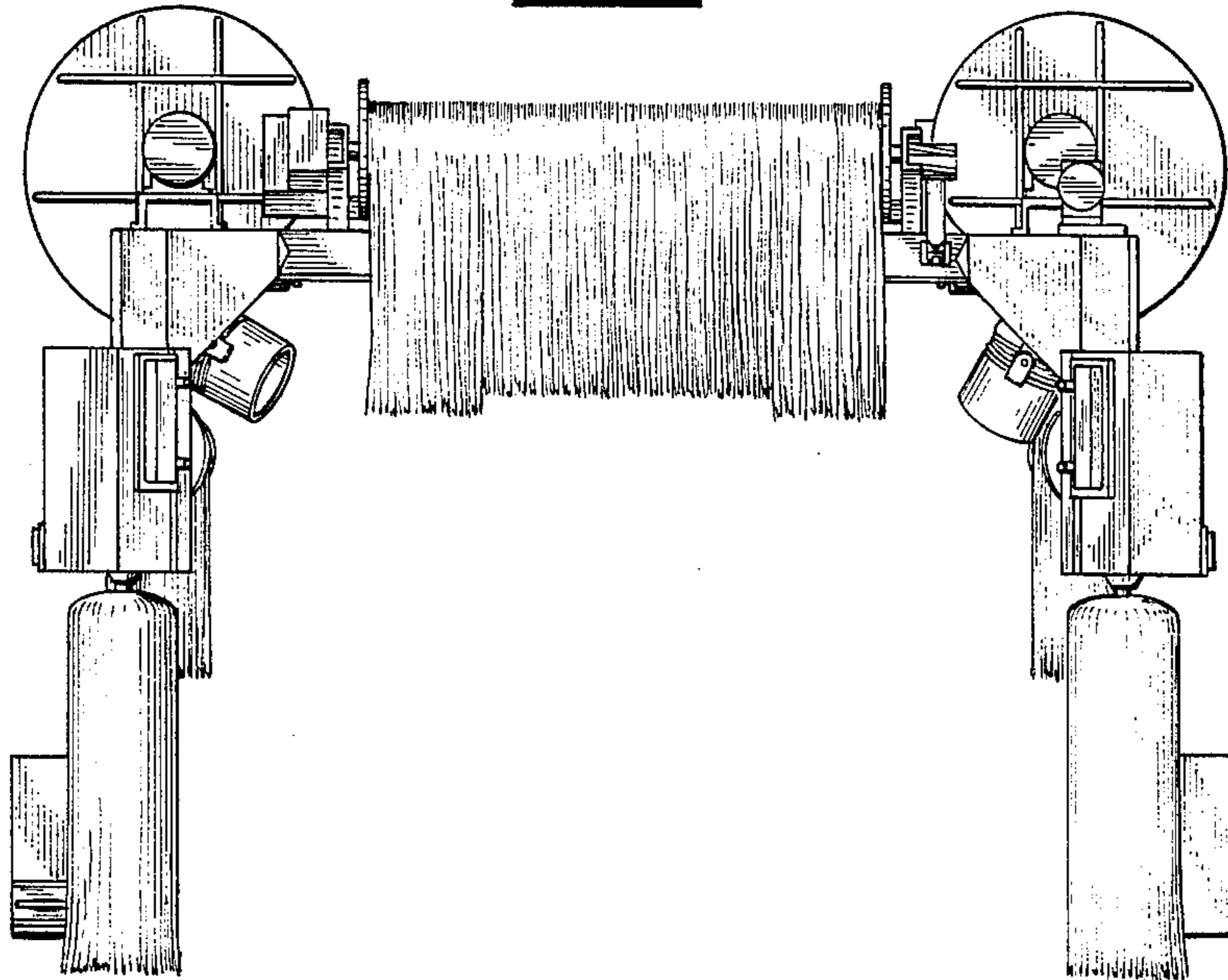


Fig. 7

