

[54] RETRACTABLE LEASH

[76] Inventor: Louis J. Musetti, 3455 7th Ave.,
Carmel, Calif. 93923

[**] Term: 14 Years

[21] Appl. No.: 877,397

[22] Filed: Jun. 20, 1986

[52] U.S. Cl. D30/153

[58] Field of Search D30/144, 151-154,
D30/199; 119/106, 109

2,889,807 6/1959 Beebe 119/109

3,233,591 2/1966 Rogers 119/109

4,018,189 4/1977 Umphries et al. 119/109

4,328,766 5/1982 Deibert 119/109

4,328,767 5/1982 Peterson .

Primary Examiner—James R. Largen
Attorney, Agent, or Firm—Sanford Astor

[57] CLAIM

The ornamental design for a retractable leash, as shown and described.

DESCRIPTION

FIG. 1 is a top plan view of a retractable leash embodying my new design;

FIG. 2 is an elevational view taken from one side thereof, the opposite side being the same as the side shown;

FIG. 3 is a bottom plan view thereof; and

FIG. 4 is a perspective view thereof.

[56] References Cited

U.S. PATENT DOCUMENTS

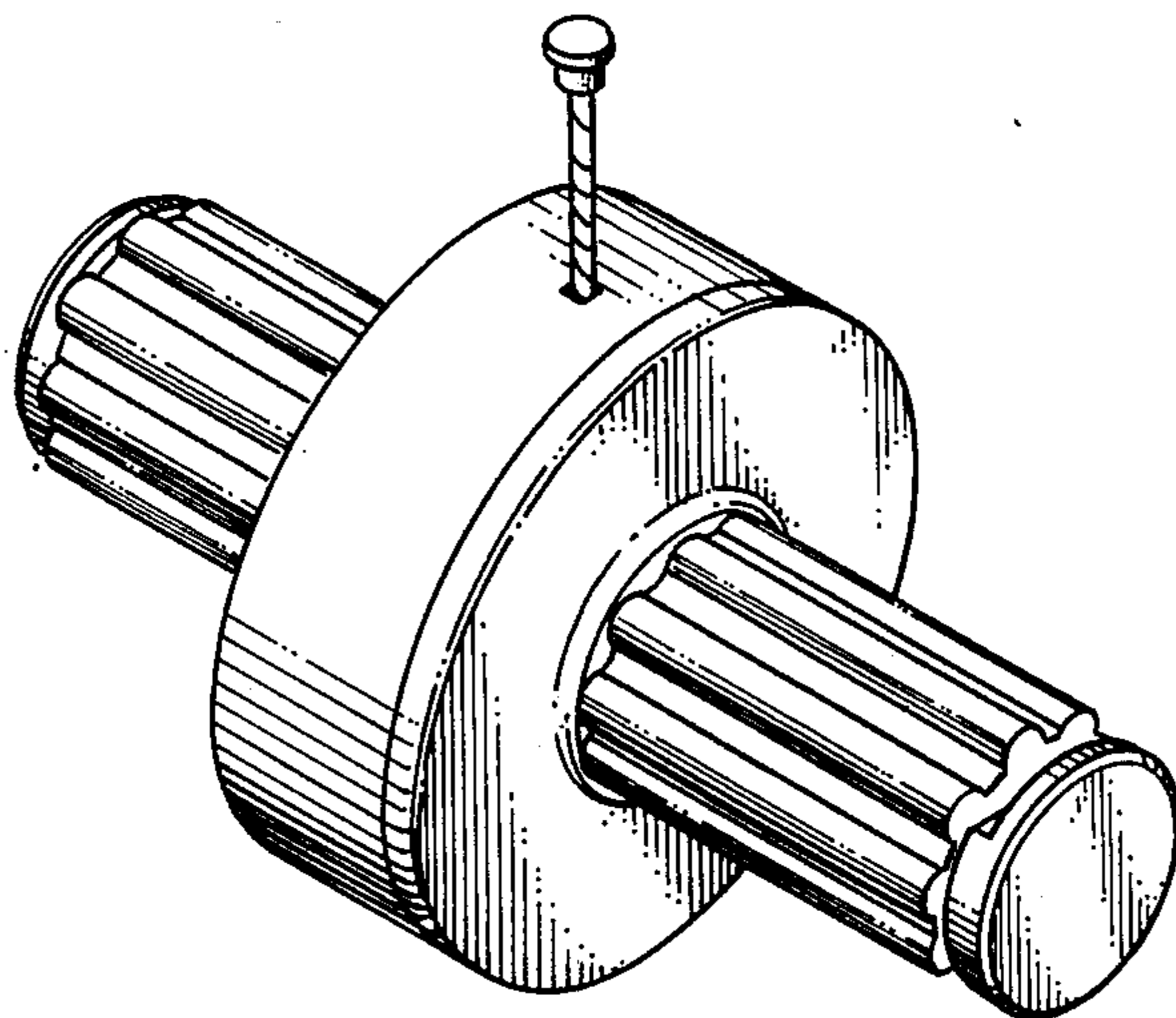
D. 124,073 12/1940 Gottlieb D30/153

D. 128,606 8/1941 Stiekell D30/153

D. 150,947 9/1948 Grandon et al. D30/153

D. 198,757 7/1964 Rogers D30/153

2,833,250 5/1958 Beebe 119/109



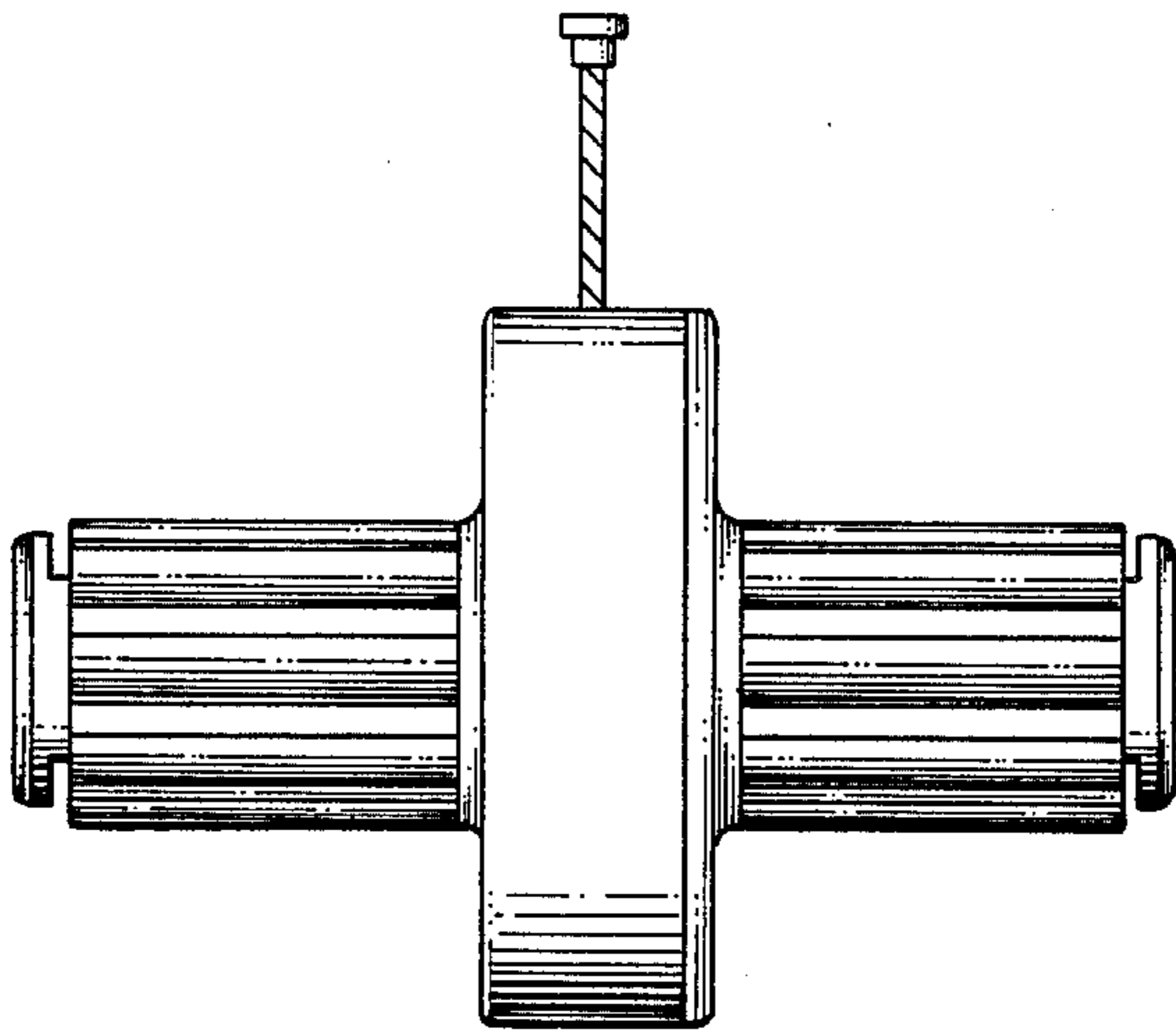


FIG. 1

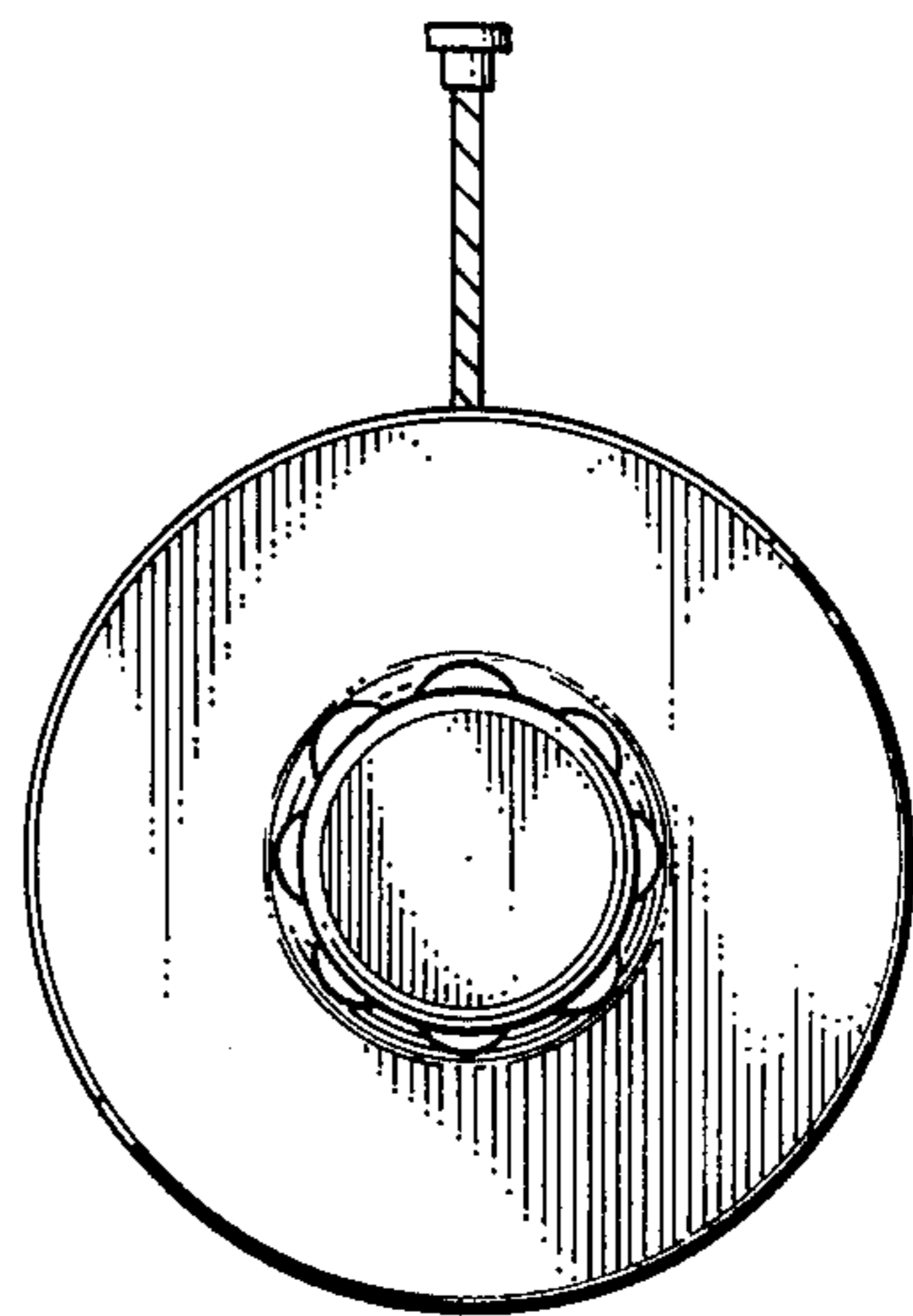


FIG. 2

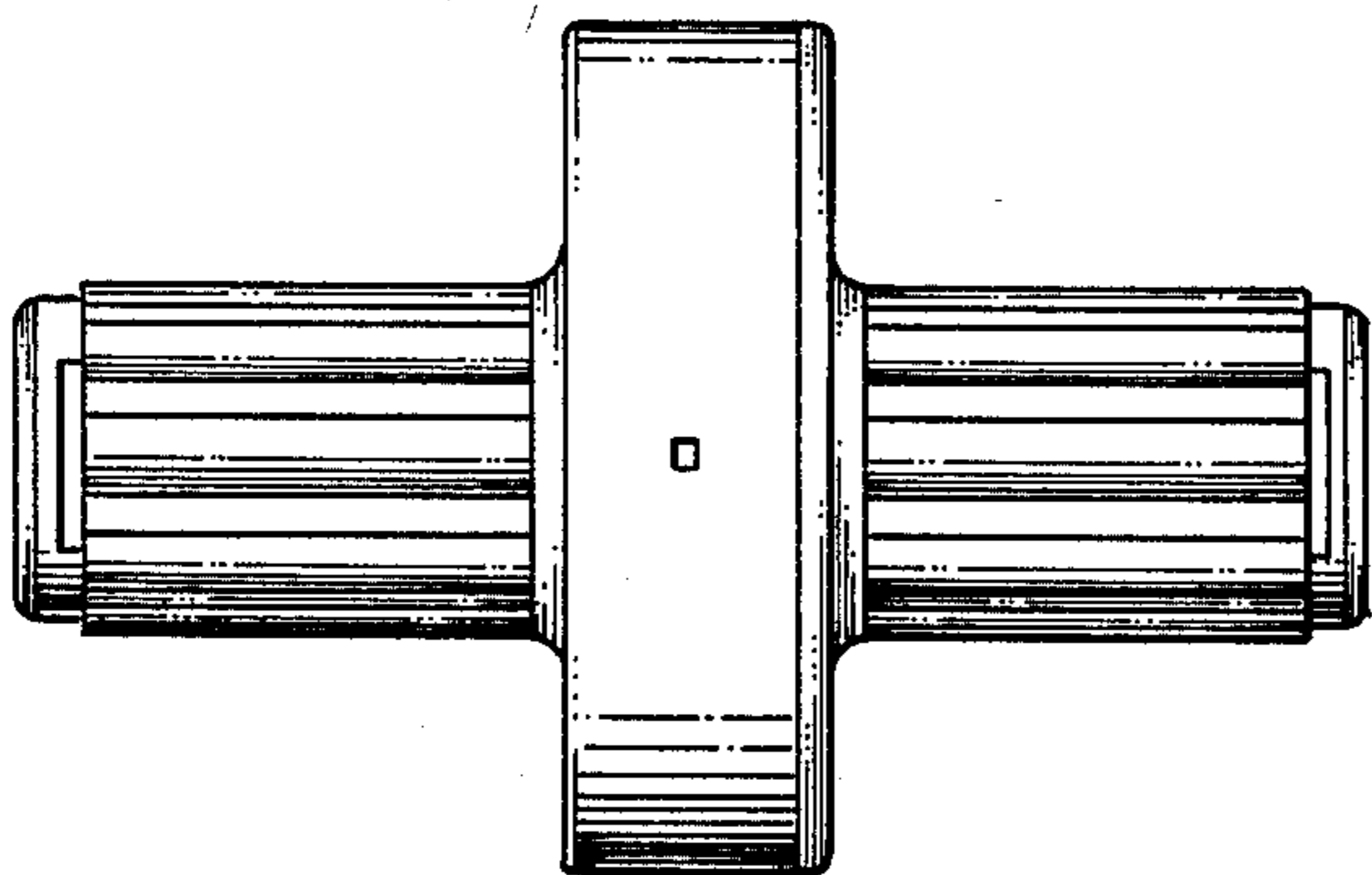


FIG. 3

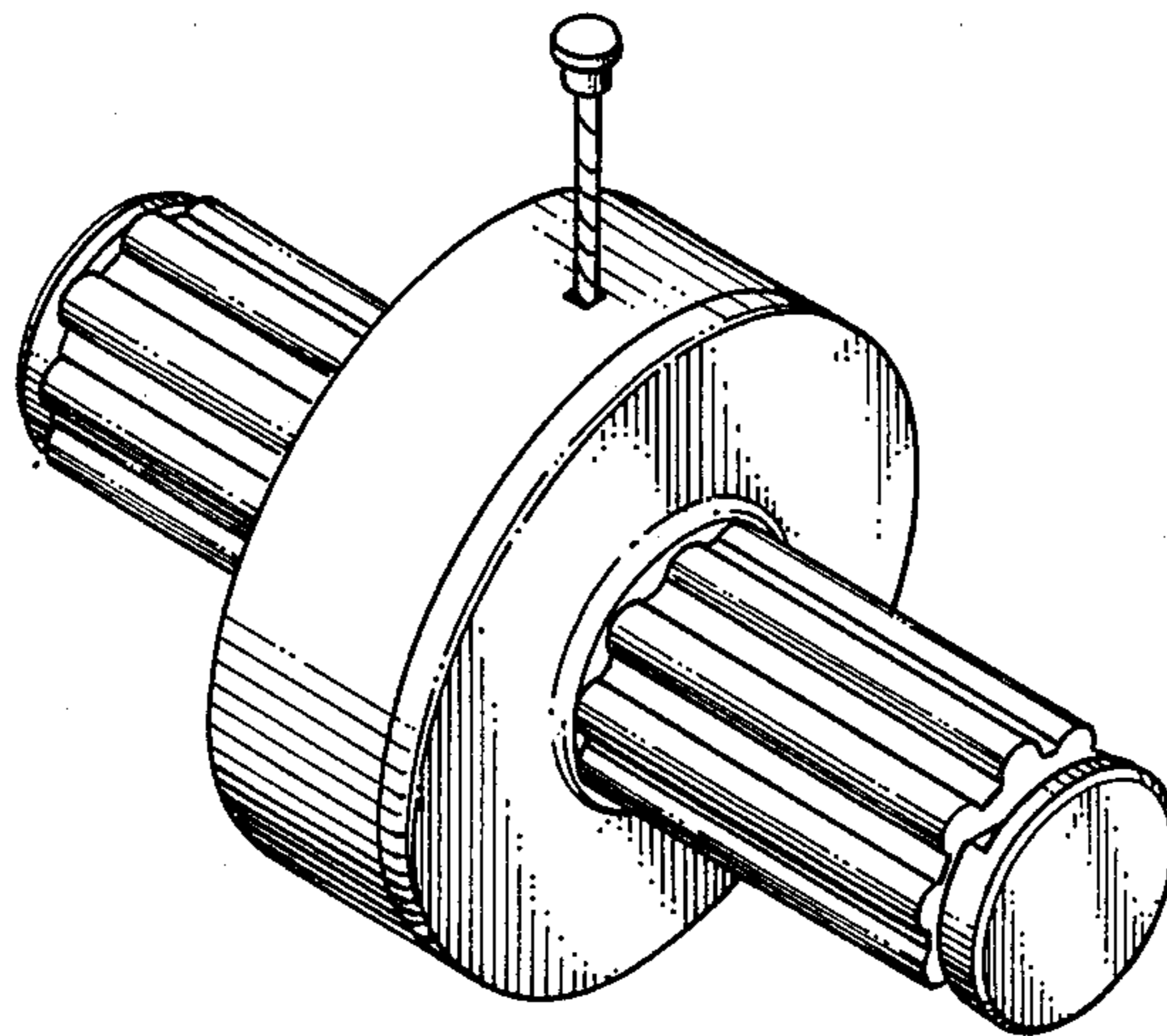


FIG. 4