

[54] **ADJUSTABLE LAMP**
[75] **Inventor: Peter F. Connolly, Parsippany, N.J.**
[73] **Assignee: Alupower, Inc., Bernardsville, N.J.**
[**] **Term: 14 Years**
[21] **Appl. No.: 805,372**
[22] **Filed: Nov. 18, 1985**
[52] **U.S. Cl. D26/44**
[58] **Field of Search D26/37-50,
D26/61, 63; 362/157, 158, 183-208**

[56] **References Cited**
U.S. PATENT DOCUMENTS
D. 284,106 6/1986 Drane D26/44
1,119,663 12/1914 Swallow D26/37 X
1,832,563 11/1931 Kuhn 362/197
4,438,483 3/1984 Gulliksen et al. 362/186 X

Primary Examiner—Susan J. Lucas
Attorney, Agent, or Firm—Cooper & Dunham

[57] **CLAIM**
The ornamental design for adjustable lamp, as shown and described.

DESCRIPTION

FIG. 1 is a front perspective view of adjustable lamp showing my new design with the head lens surface rotated perpendicular to the base;
FIG. 2 is a front elevational view thereof;
FIG. 3 is a back elevational view thereof;
FIG. 4 is a right side elevational view thereof showing the head rotated to its rearmost position, the view of the side opposite being substantially a mirror image;
FIG. 5 is a view similar to FIG. 4, showing the head rotated to its forwardmost position;
FIG. 6 is a top plan view thereof, showing the head lens surface rotated perpendicular to the base; and
FIG. 7 is a bottom plan view thereof.

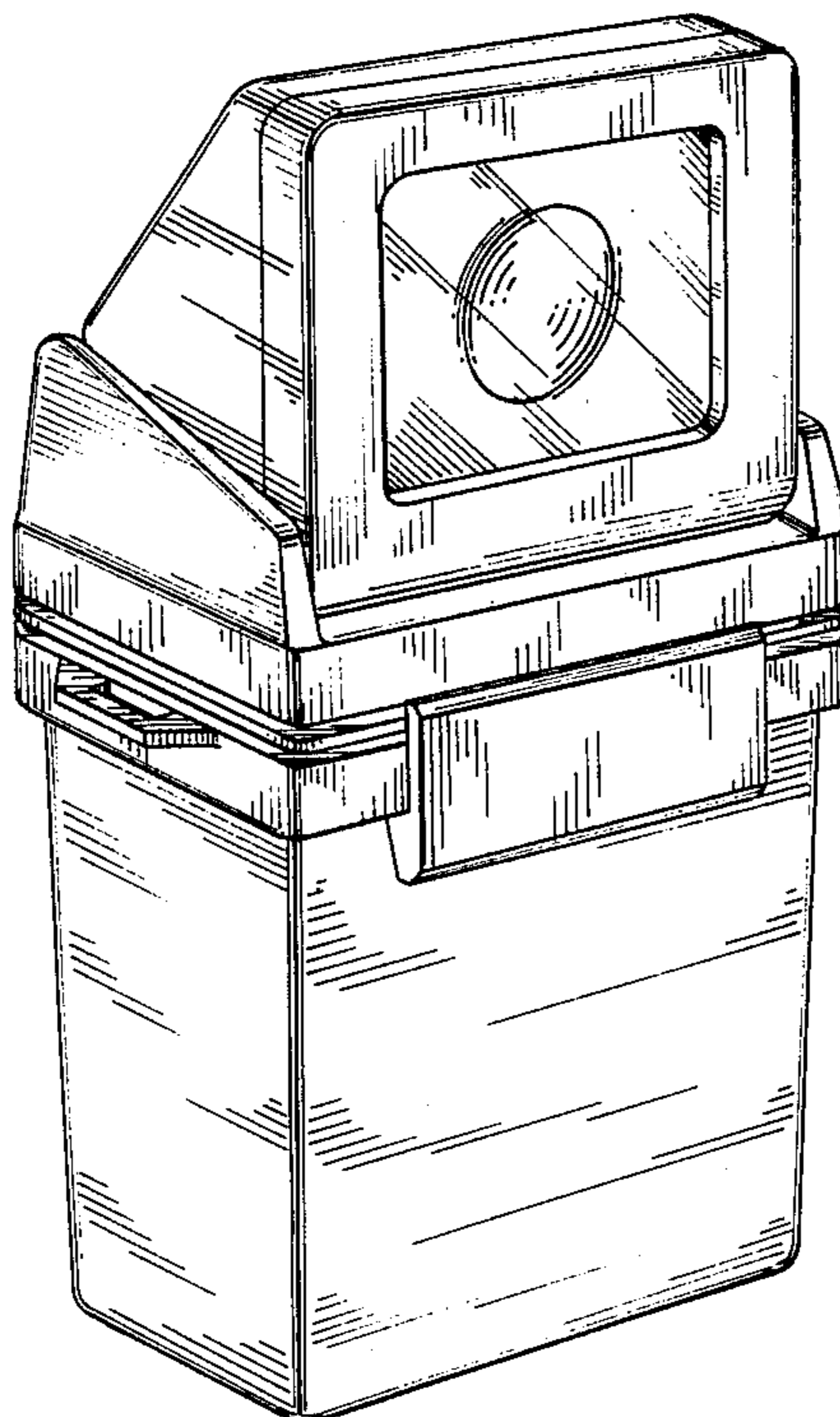


Fig. 6.

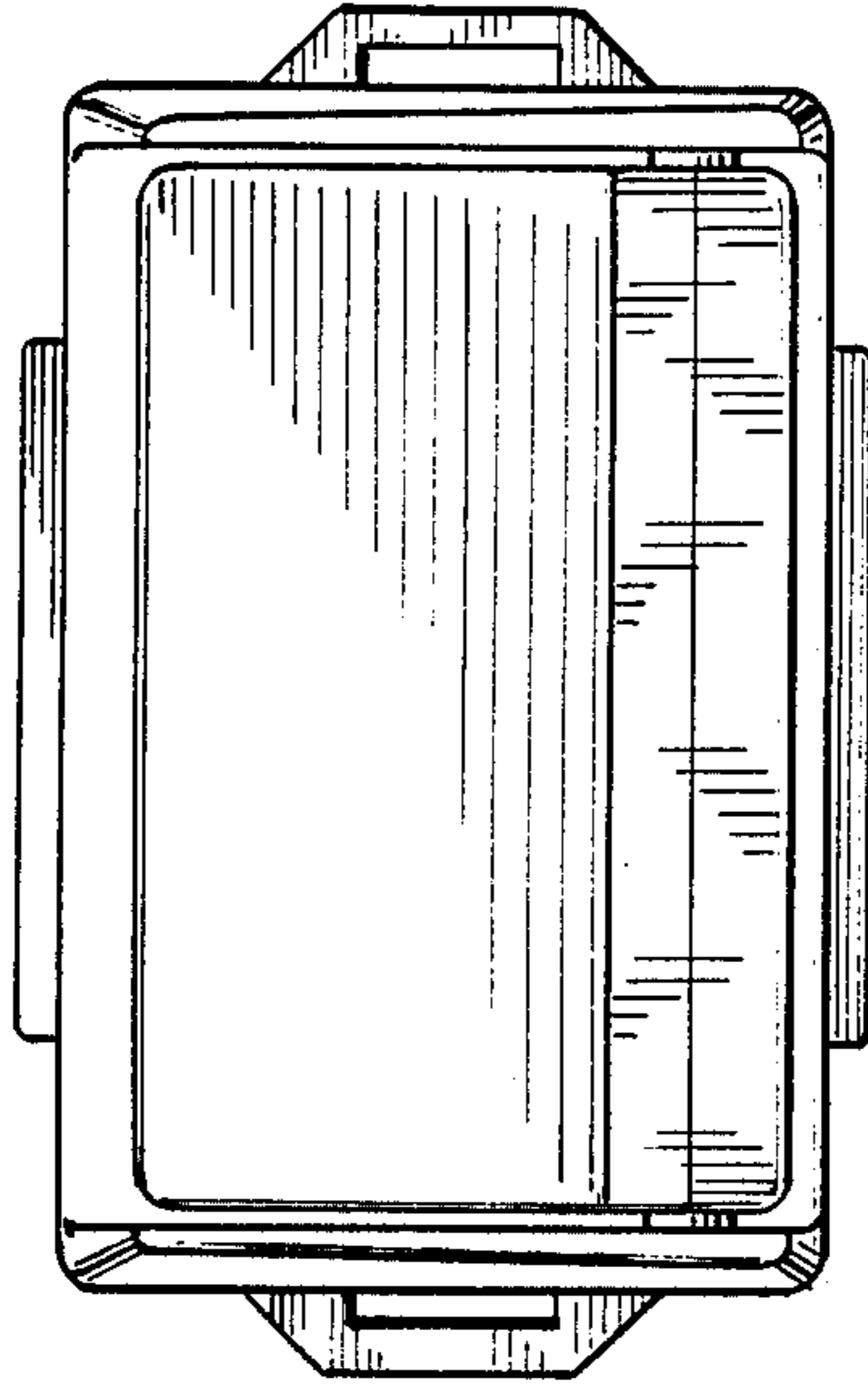


Fig. 7.

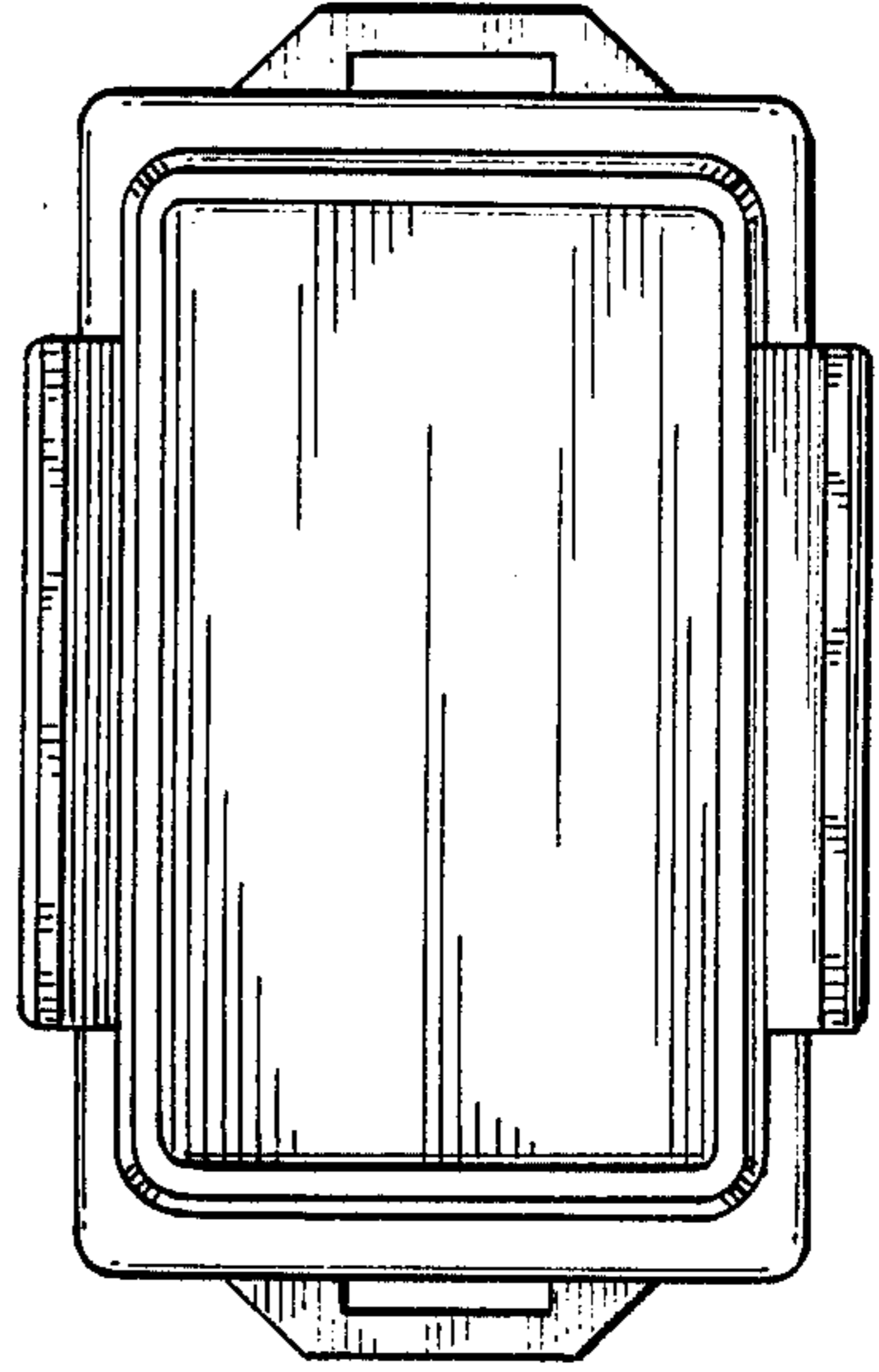
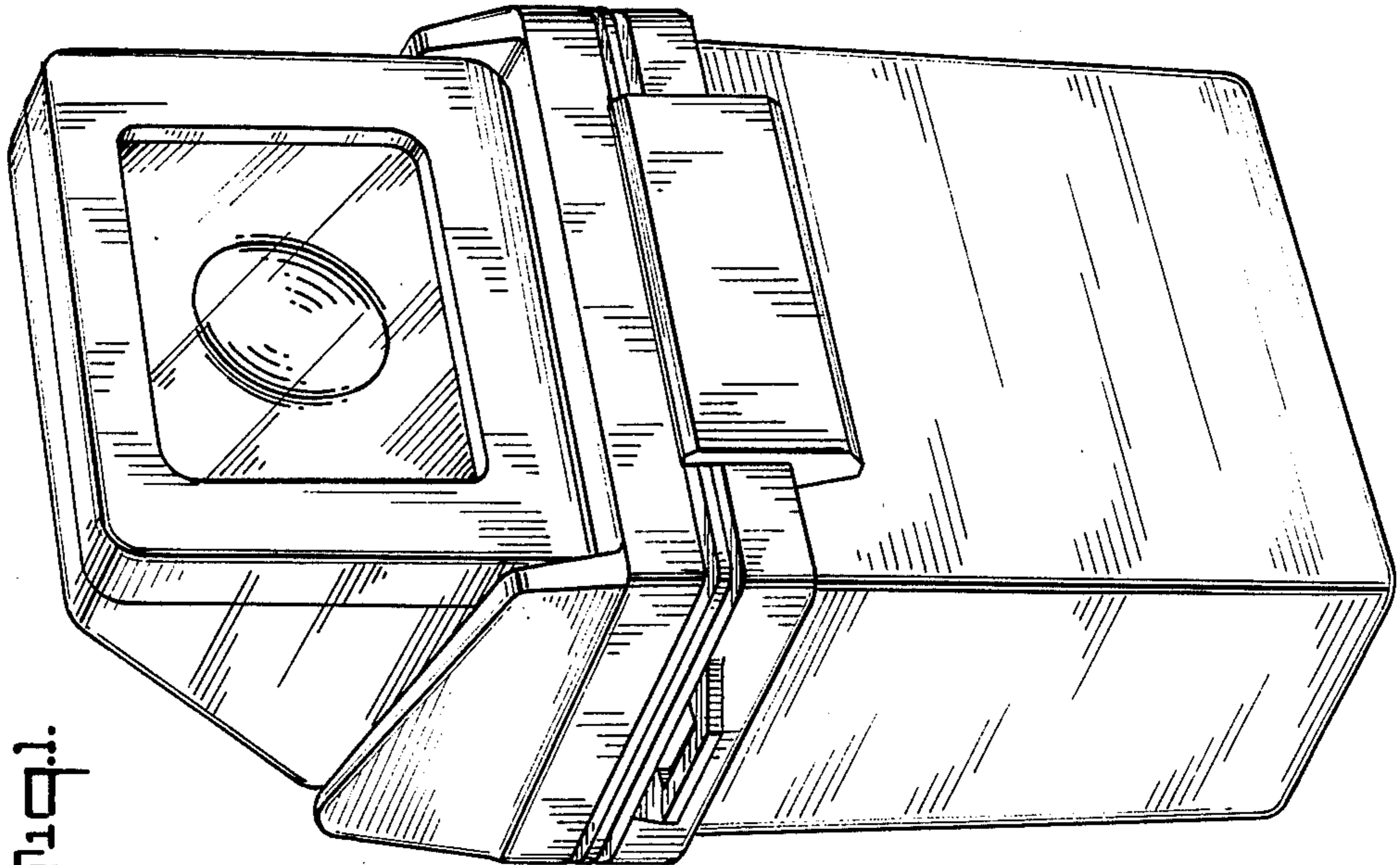


Fig. 1.



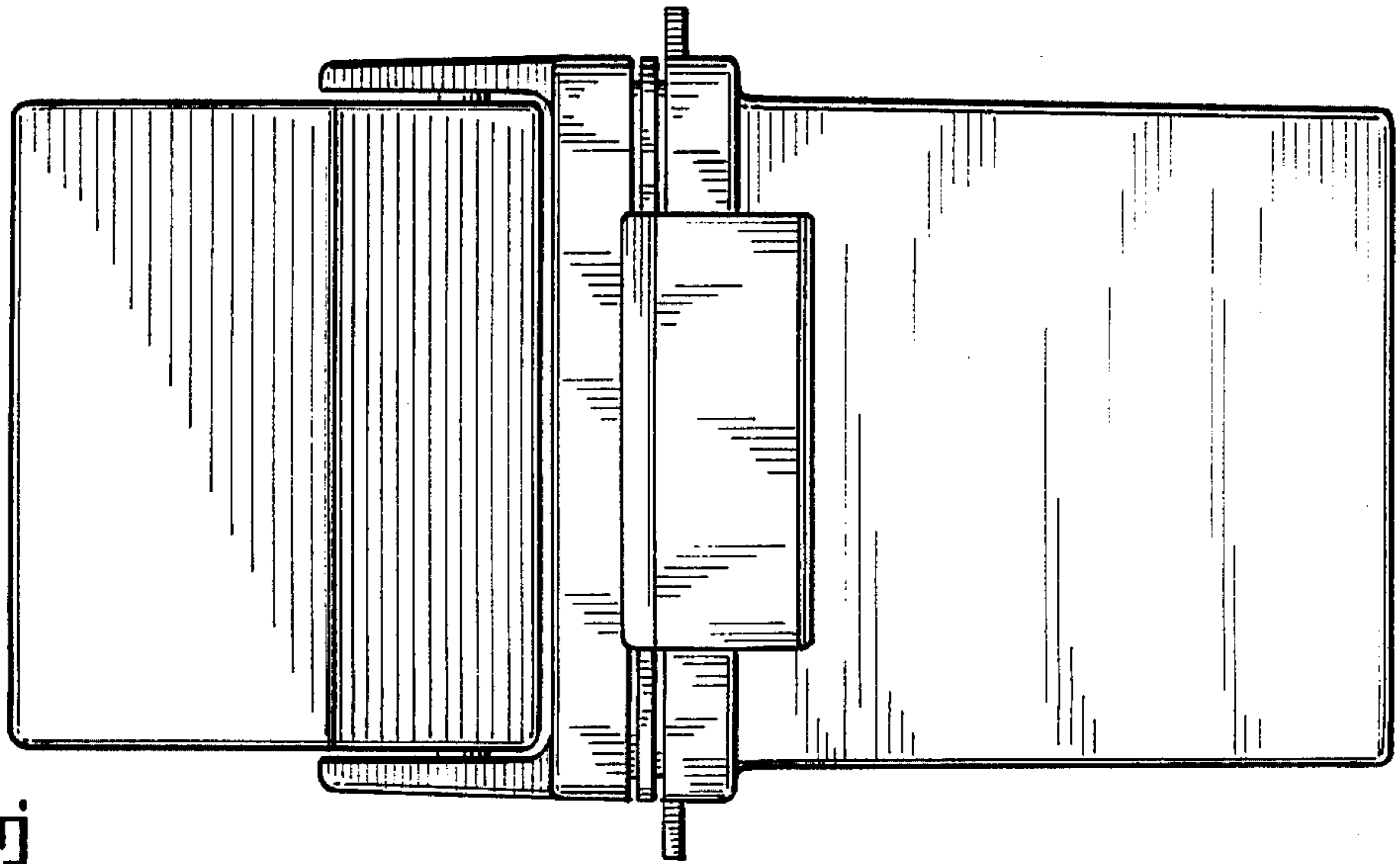


Fig. 2.

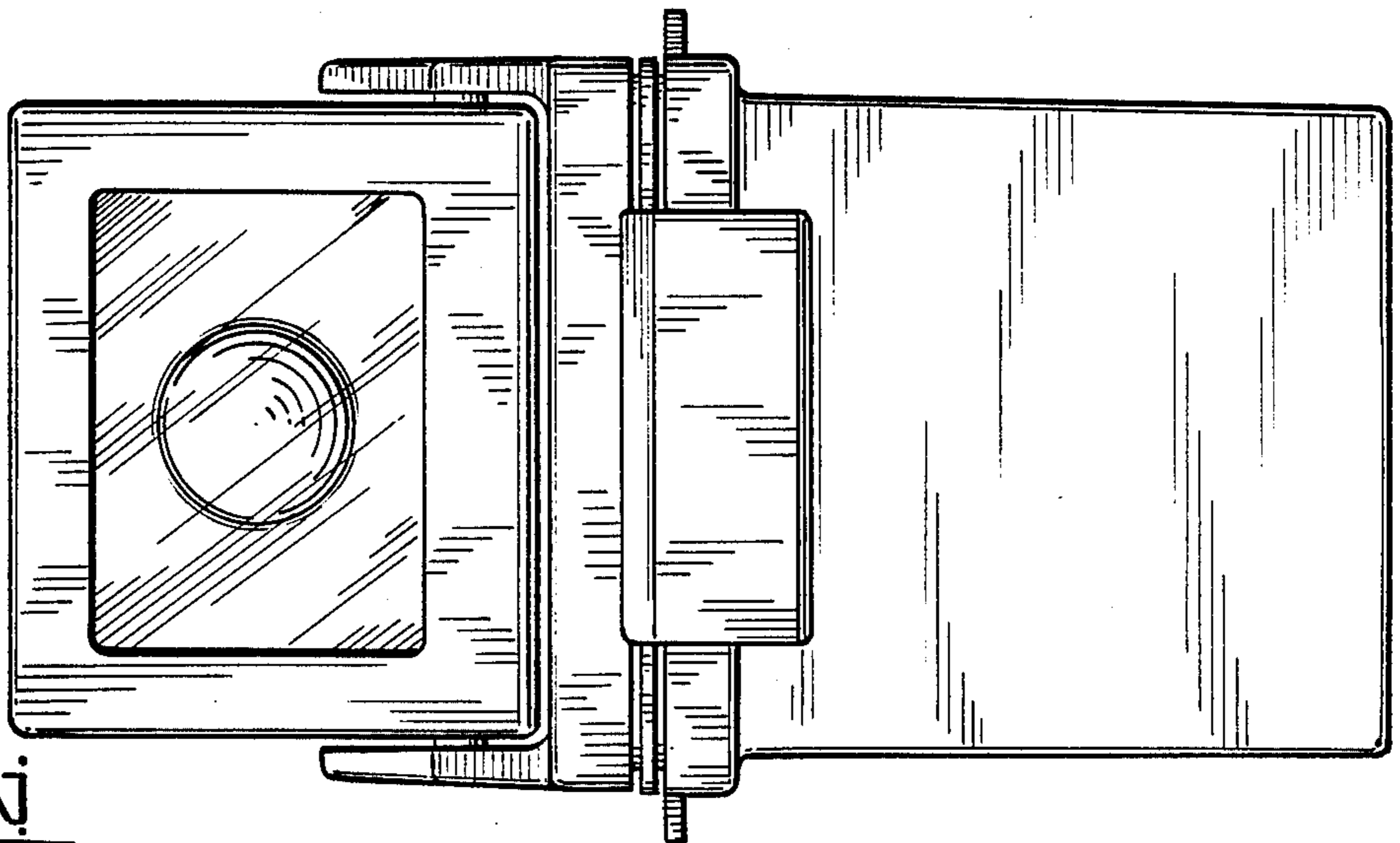


Fig. 2.

Fig. 4.

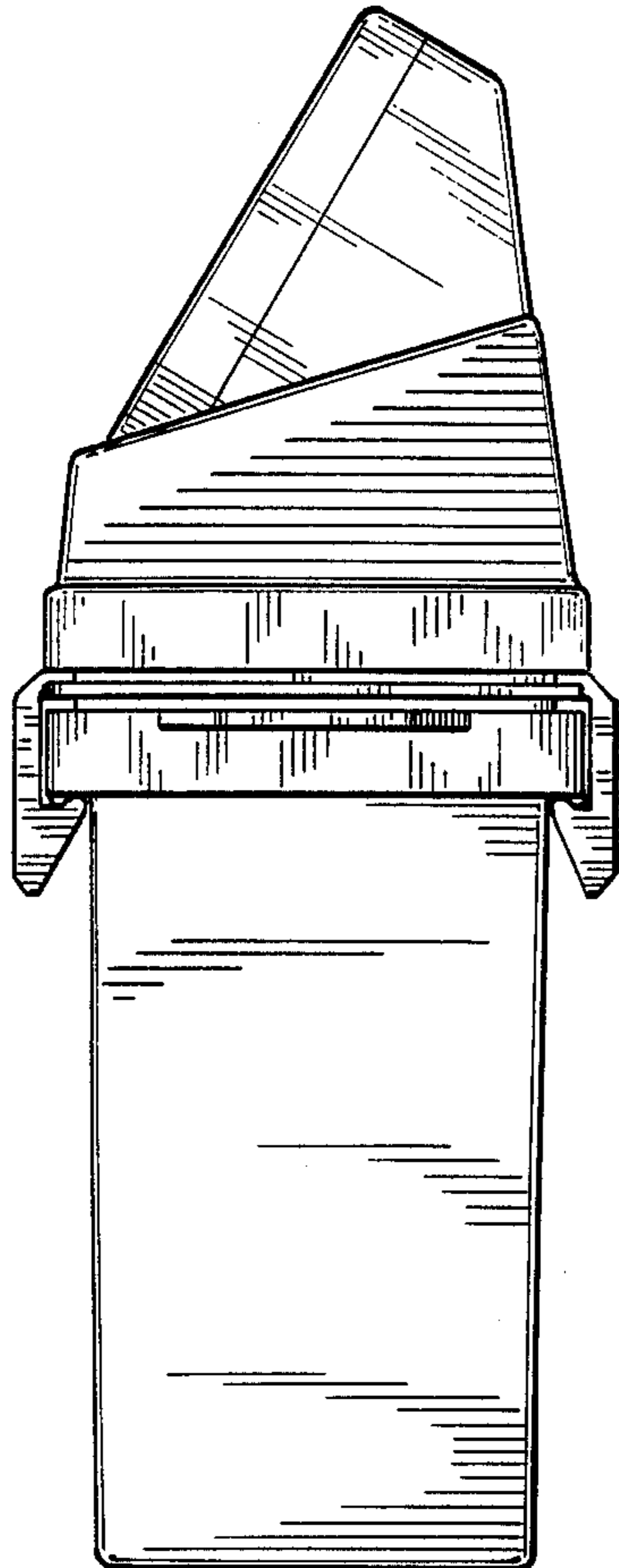


Fig. 5.

