

[54] **HANDLE FOR SURGICAL INSTRUMENT**

[75] **Inventor: Joseph J. Manno, La Jolla, Calif.**

[73] **Assignee: Vitalmetrics, Inc., San Diego, Calif.**

[\*\*] **Term: 14 Years**

[21] **Appl. No.: 860,755**

[22] **Filed: May 6, 1986**

[52] **U.S. Cl. .... D24/30; D24/26**

[58] **Field of Search ..... D24/30, 26, 27, 28,  
D24/51, 54, 59; 604/902, 35, 48, 119;  
128/303.14, 303.13, 303.15, 303.17**

[56] **References Cited**

**U.S. PATENT DOCUMENTS**

D. 249,549 9/1978 Pike ..... D24/26 X  
D. 287,879 1/1987 Braxton et al. .... D24/30  
4,545,375 10/1985 Cline ..... 128/303.14

*Primary Examiner*—Wallace R. Burke  
*Assistant Examiner*—Stella M. Reid  
*Attorney, Agent, or Firm*—Freilich, Hornbaker, Rosen & Fernandez

[57] **CLAIM**

The ornamental design for a handle for surgical instrument, as shown.

**DESCRIPTION**

FIG. 1 is a perspective view of a handle for surgical instrument, showing my new design, the broken line showing of the probe and connector tubing being shown in broken lines and forming no part of the claimed design;

FIG. 2 is a right side elevational view thereof;

FIG. 3 is a top plan view thereof;

FIG. 4 is a bottom plan view thereof;

FIG. 5 is a left side elevational view thereof;

FIG. 6 is a front elevational view thereof; and

FIG. 7 is a rear elevational view thereof.

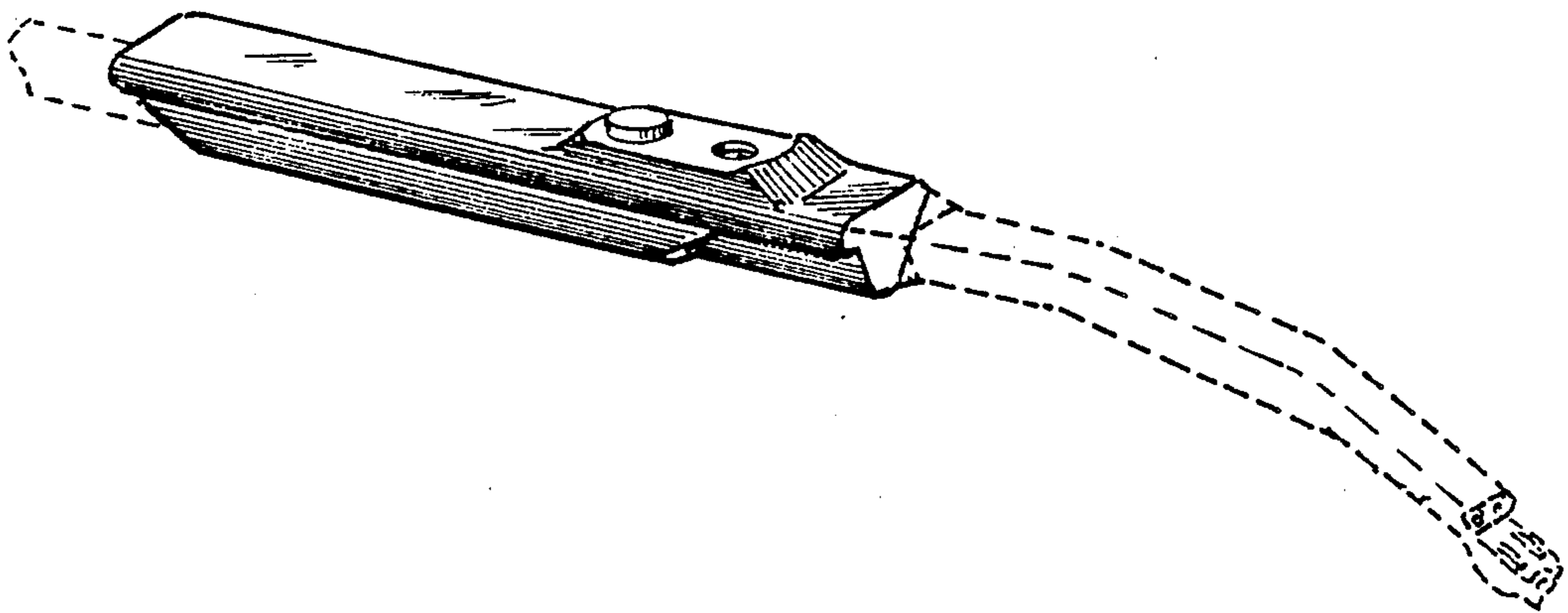


Fig. 1.

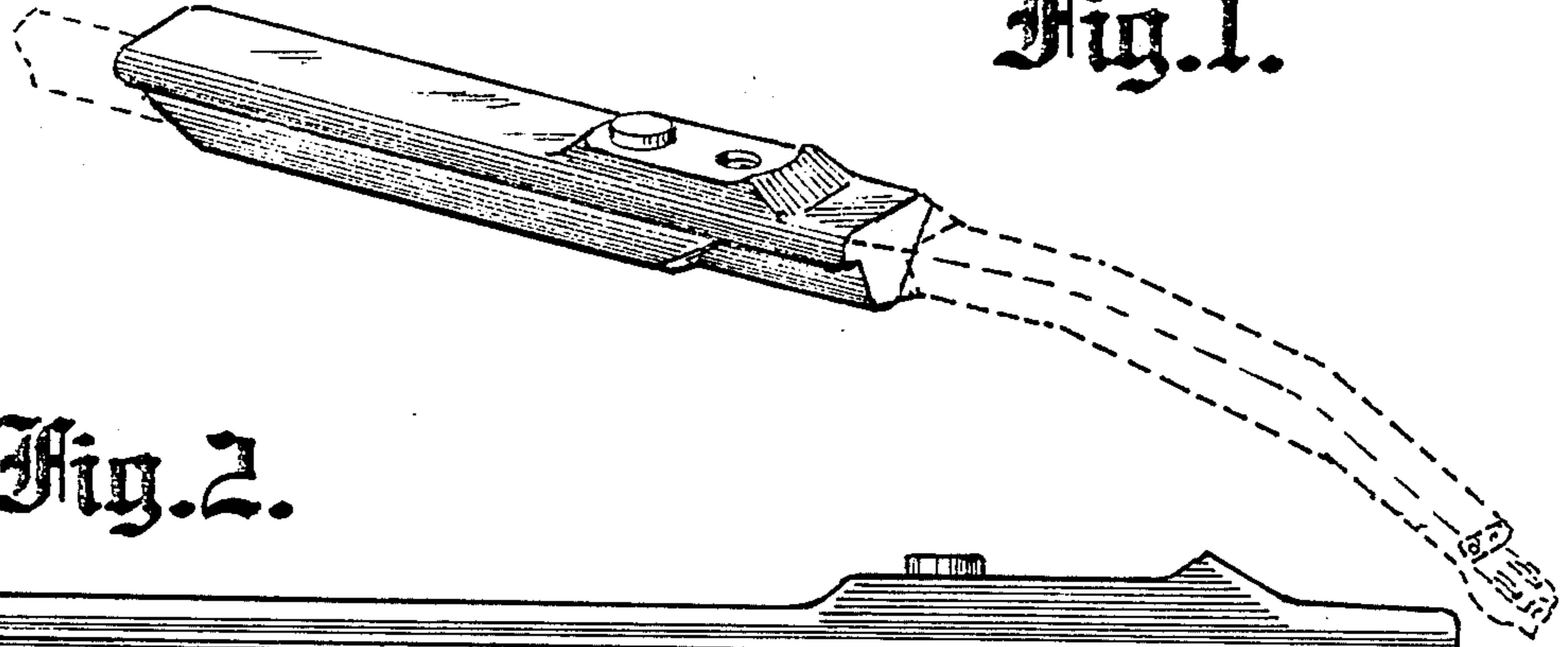


Fig. 2.

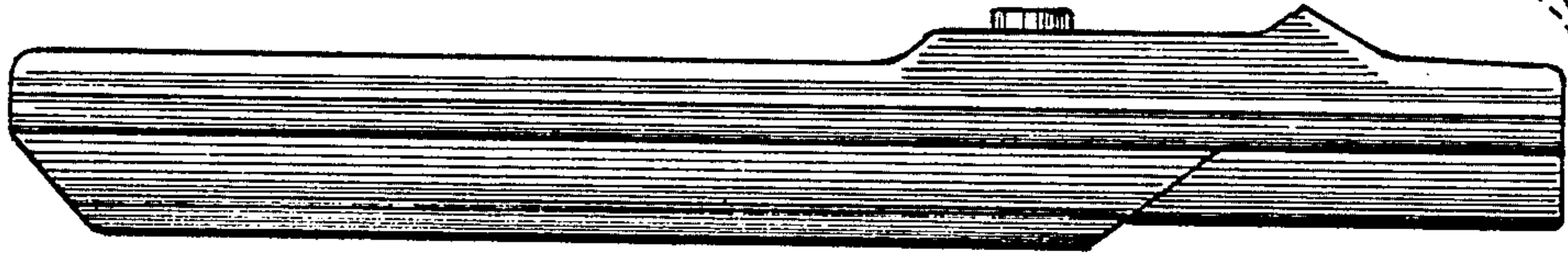


Fig. 3.

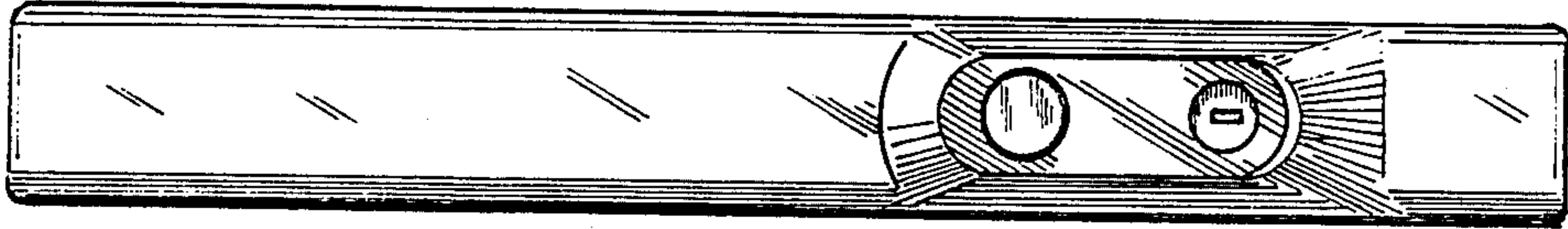


Fig. 4.

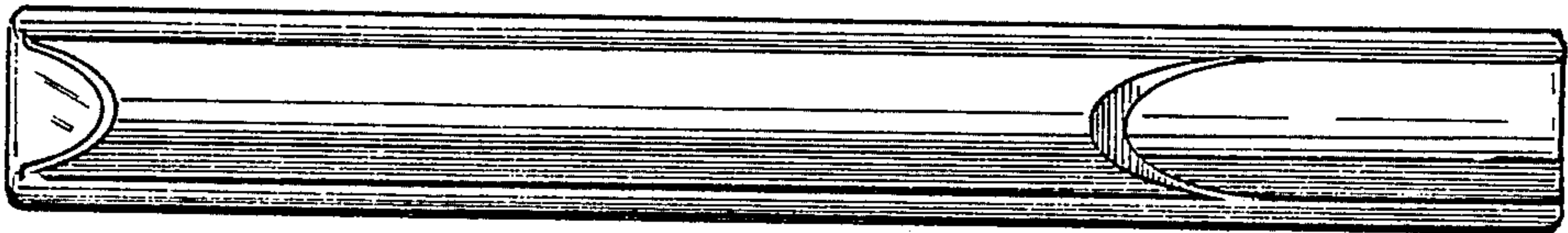


Fig. 5.

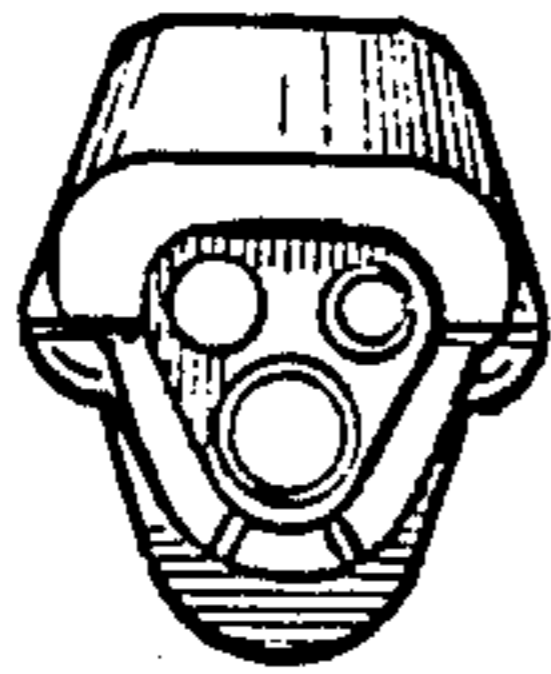
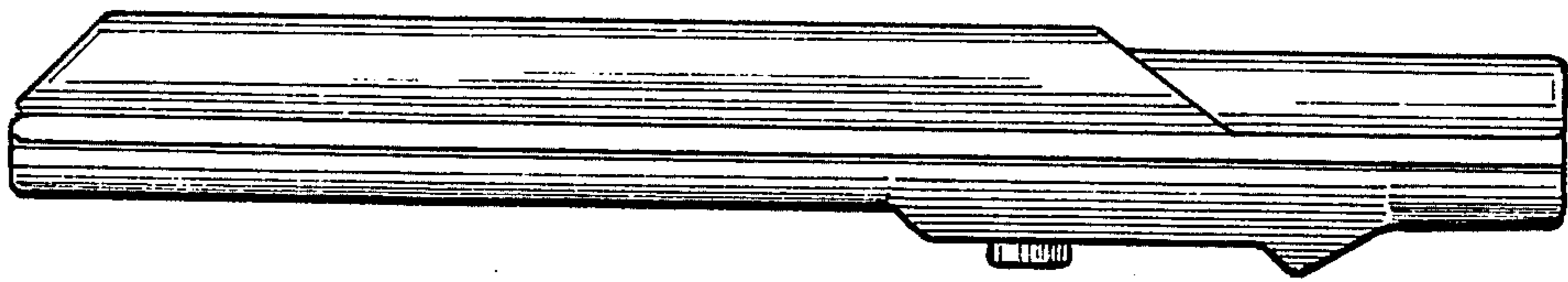


Fig. 6.

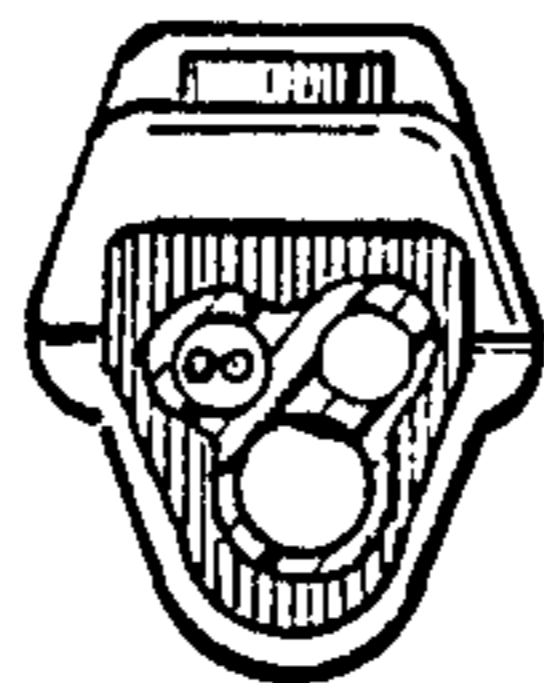


Fig. 7.