

[54] **HYPODERMIC NEEDLE GUARD**

[75] **Inventor: Kenneth Raines, Bethlehem, Pa.**

[73] **Assignee: Burrton Medical Inc., Bethlehem, Pa.**

[**] **Term: 14 Years**

[21] **Appl. No.: 858,230**

[22] **Filed: Apr. 28, 1986**

[52] **U.S. Cl. D24/25**

[58] **Field of Search D24/25, 24; 604/198, 604/192, 197**

[56] **References Cited**

U.S. PATENT DOCUMENTS

4,500,312	2/1985	McFarlane	604/192 X
4,627,843	12/1986	Raines	604/192 X
4,664,259	5/1987	Landis	604/192 X

Primary Examiner—Wallace R. Burke
Assistant Examiner—Stella M. Reid
Attorney, Agent, or Firm—Shoemaker and Mattare, Ltd.

[57] **CLAIM**

The ornamental design for a hypodermic needle guard, as shown and described.

DESCRIPTION

FIG. 1 is a right side perspective view of a hypodermic needle guard showing my new design;
FIG. 2 is a right side elevational view thereof;
FIG. 3 is a rear end view thereof;
FIG. 4 is a front end view thereof;
FIG. 5 is a cross-sectional view thereof, taken along the lines 5—5 of FIG. 6, looking in the direction of the arrows;
FIG. 6 is a top plan view thereof; and
FIG. 7 is a bottom plan view thereof.

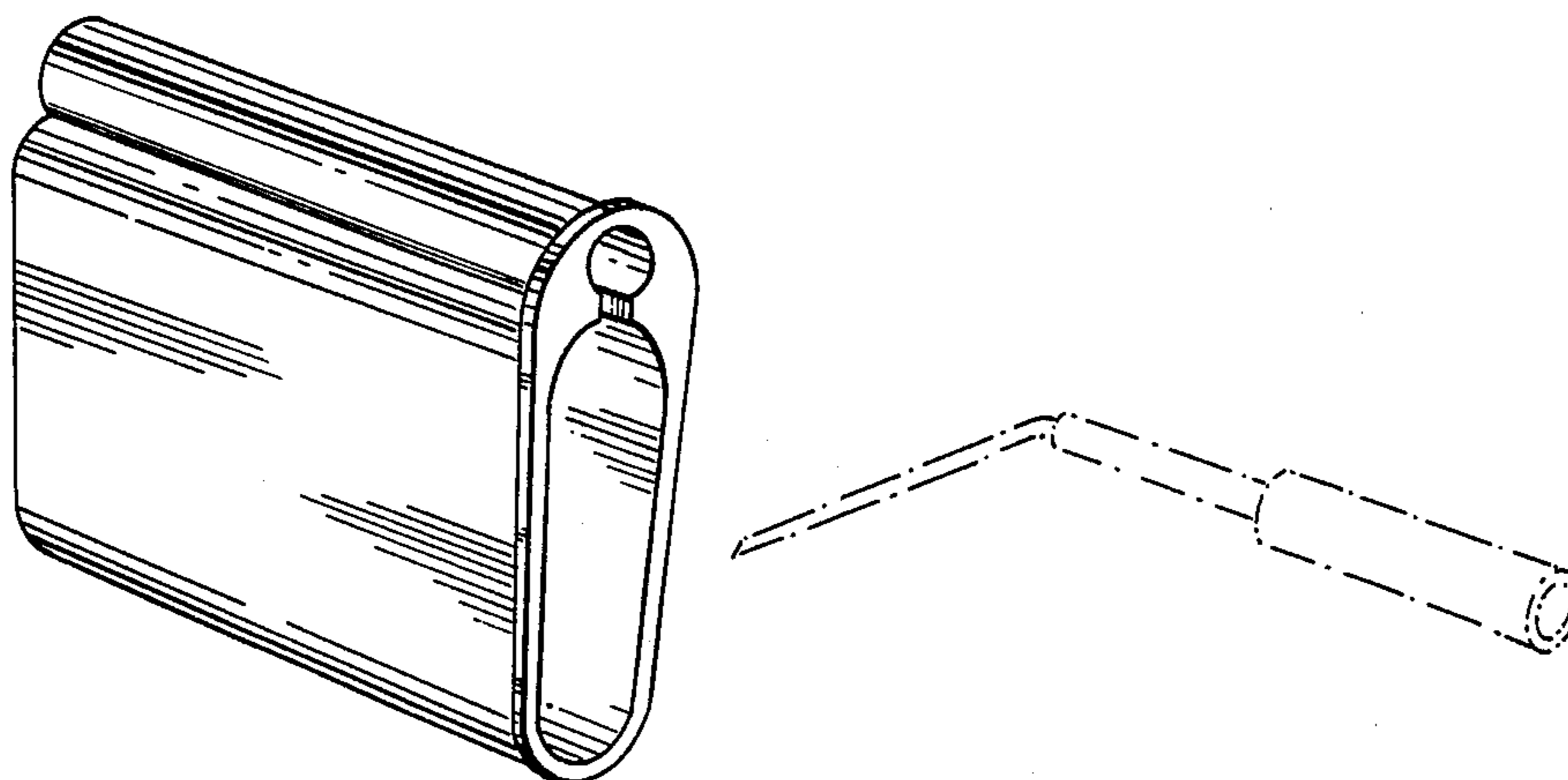


FIG. 1.

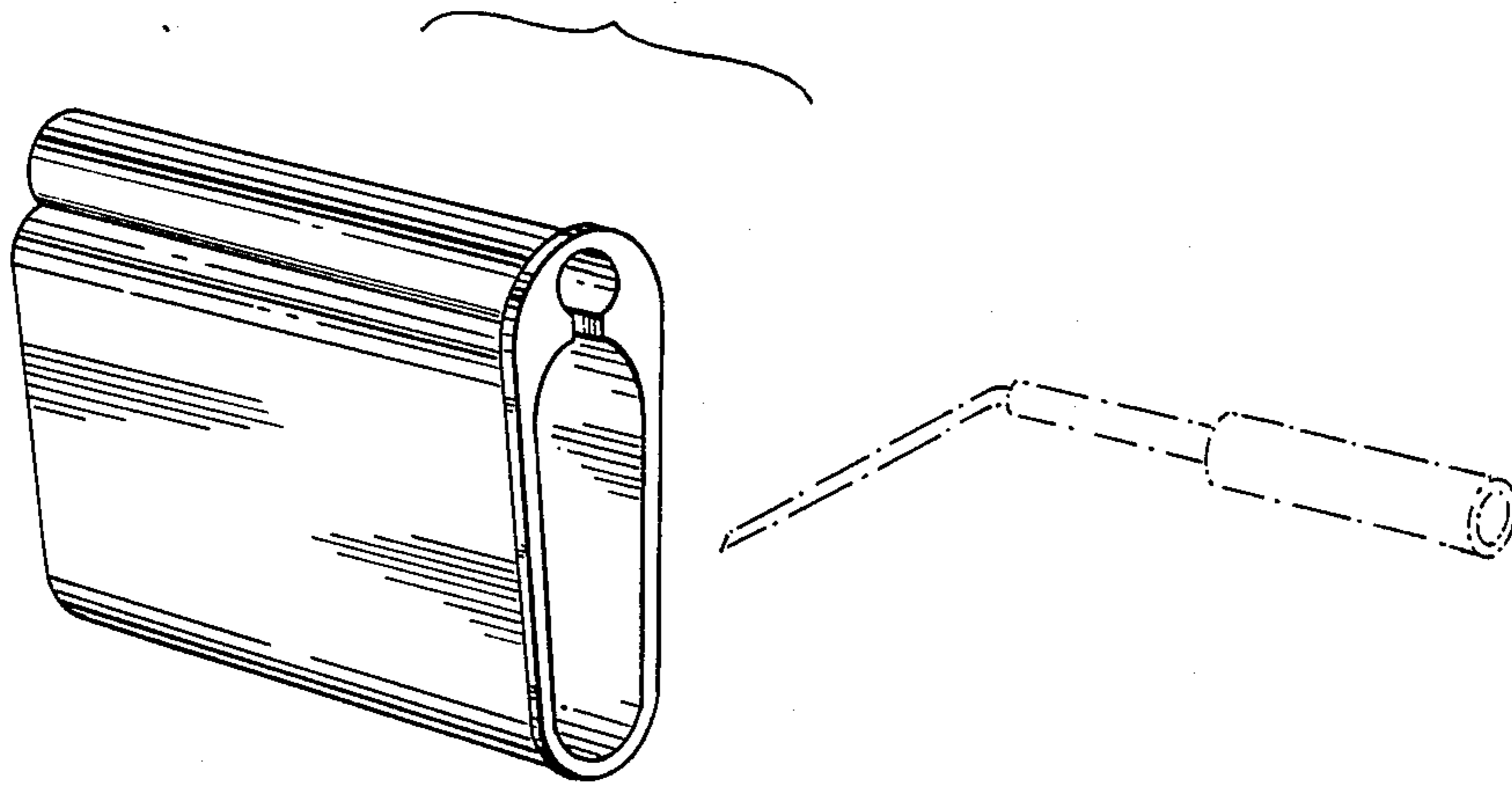


FIG. 2.

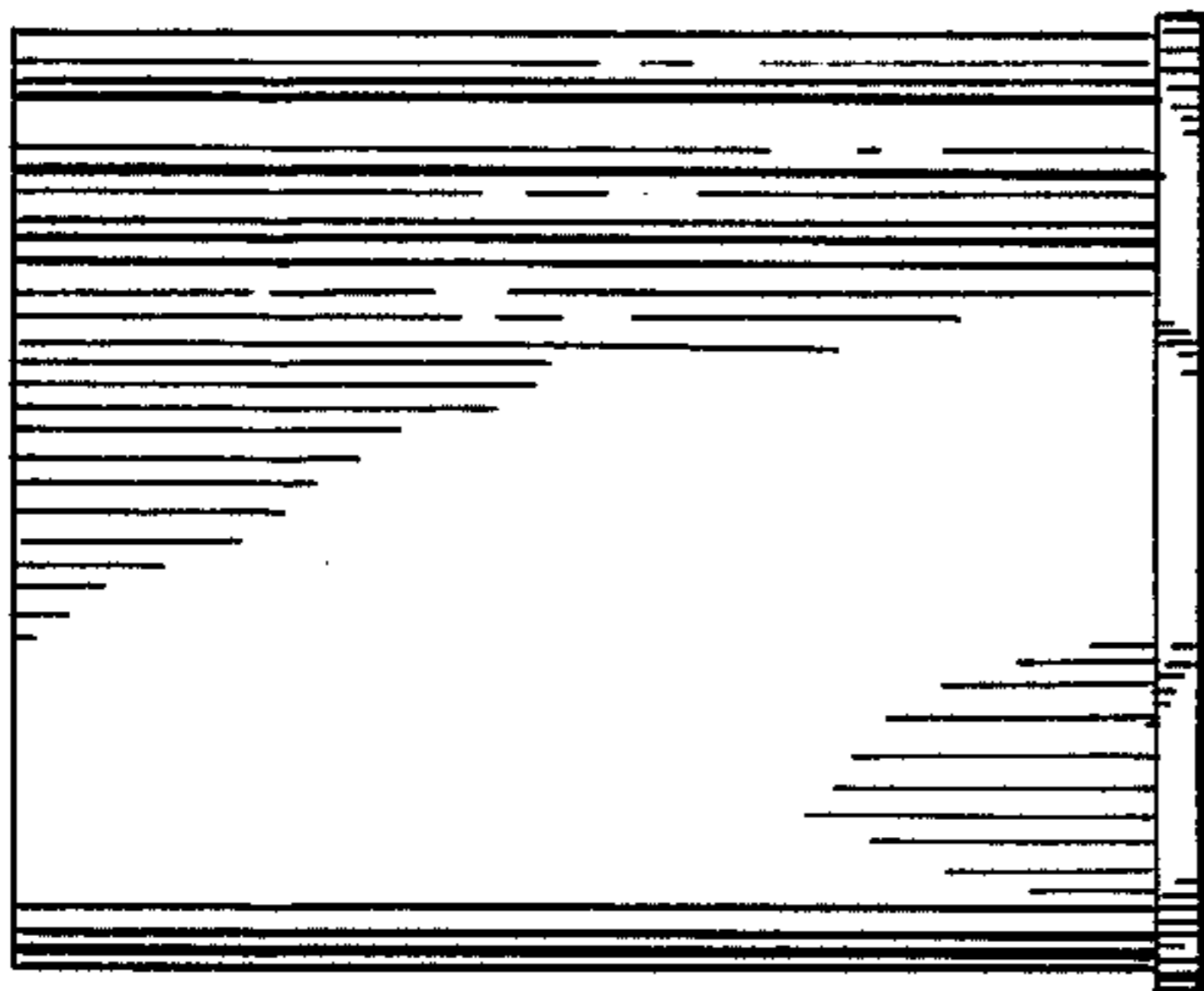


FIG. 3.

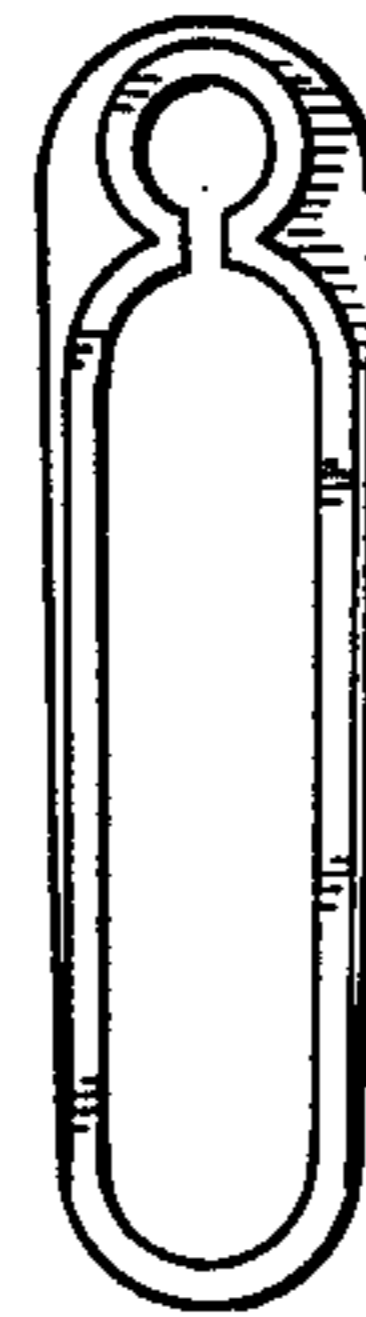


FIG. 4.



FIG. 5.

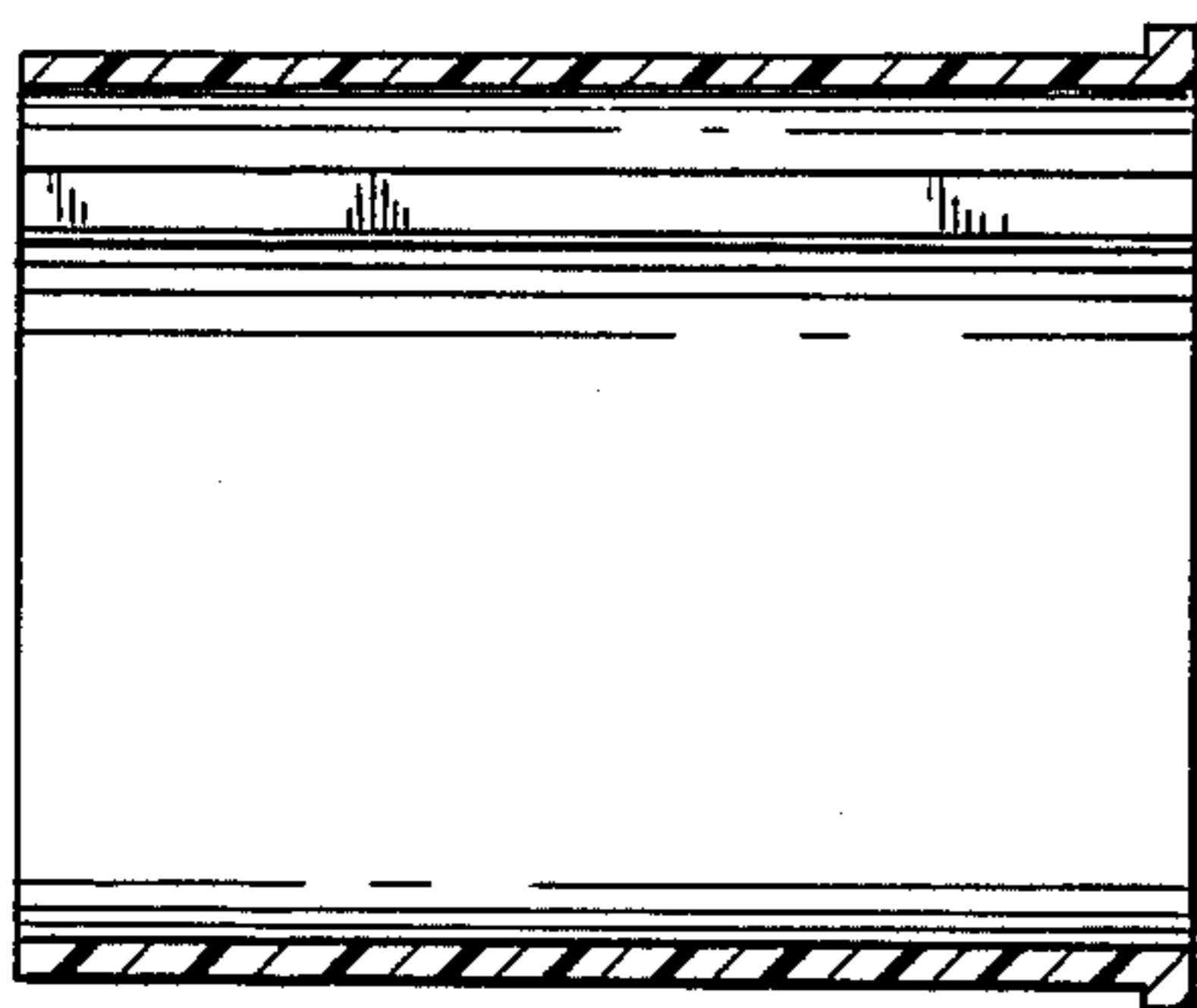


FIG. 6.

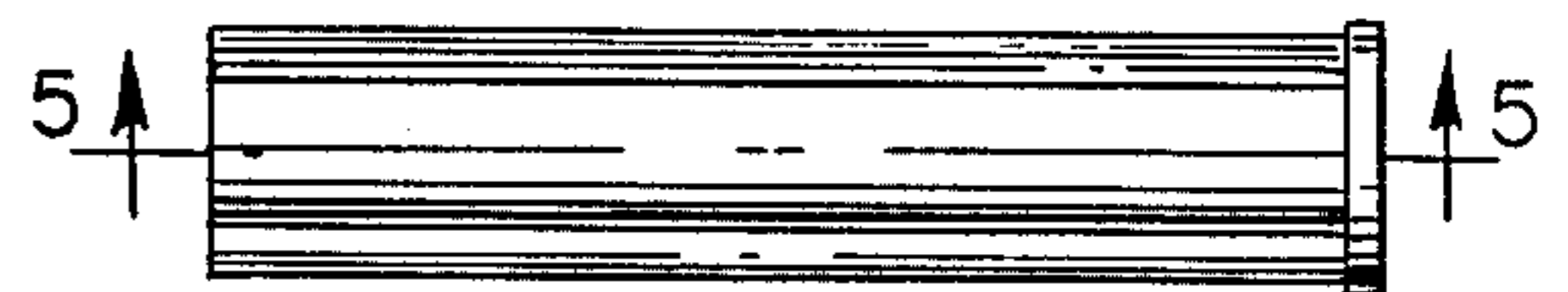


FIG. 7.

