

United States Patent [19]

Posey

[11] **Patent Number: Des. 298,348**

[45] **Date of Patent: ** Nov. 1, 1988**

[54] **CARTRIDGE CASE FOR A BLACK POWDER OR PRIMITIVE WEAPON**

[76] **Inventor: Rickey M. Posey, 526 Noojin St., Attalla, Ala. 35954**

[**] **Term: 14 Years**

[21] **Appl. No.: 791,094**

[22] **Filed: Oct. 24, 1985**

[52] **U.S. Cl. D22/116**

[58] **Field of Search D22/116; 102/430, 464, 102/465, 466, 468**

[56] **References Cited**

U.S. PATENT DOCUMENTS

D. 232,729 9/1974 Abbott D22/116
D. 260,164 8/1981 Johnson D22/116

Primary Examiner—A. Hugo Word
Attorney, Agent, or Firm—Terry M. Gernstein

[57] **CLAIM**

The ornamental design for a cartridge case for a black powder or primitive weapon, as shown and described.

DESCRIPTION

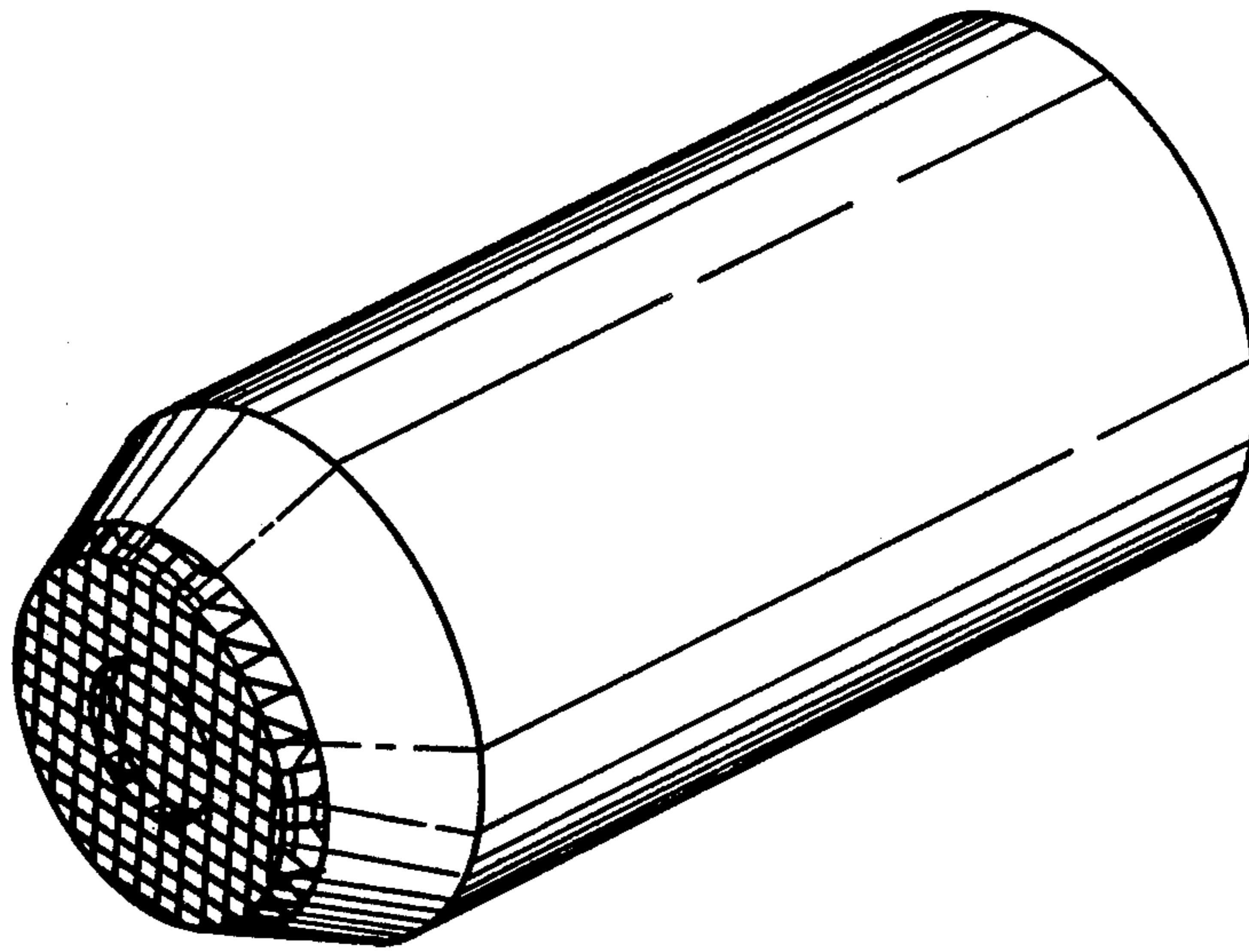
FIG. 1 is a rear side perspective view of a cartridge case for a black powder or primitive weapon showing my new design;

FIG. 2 is a front side perspective view thereof;

FIG. 3 is a side view thereof;

FIG. 4 is a rear end view;

FIG. 5 is a front end view.



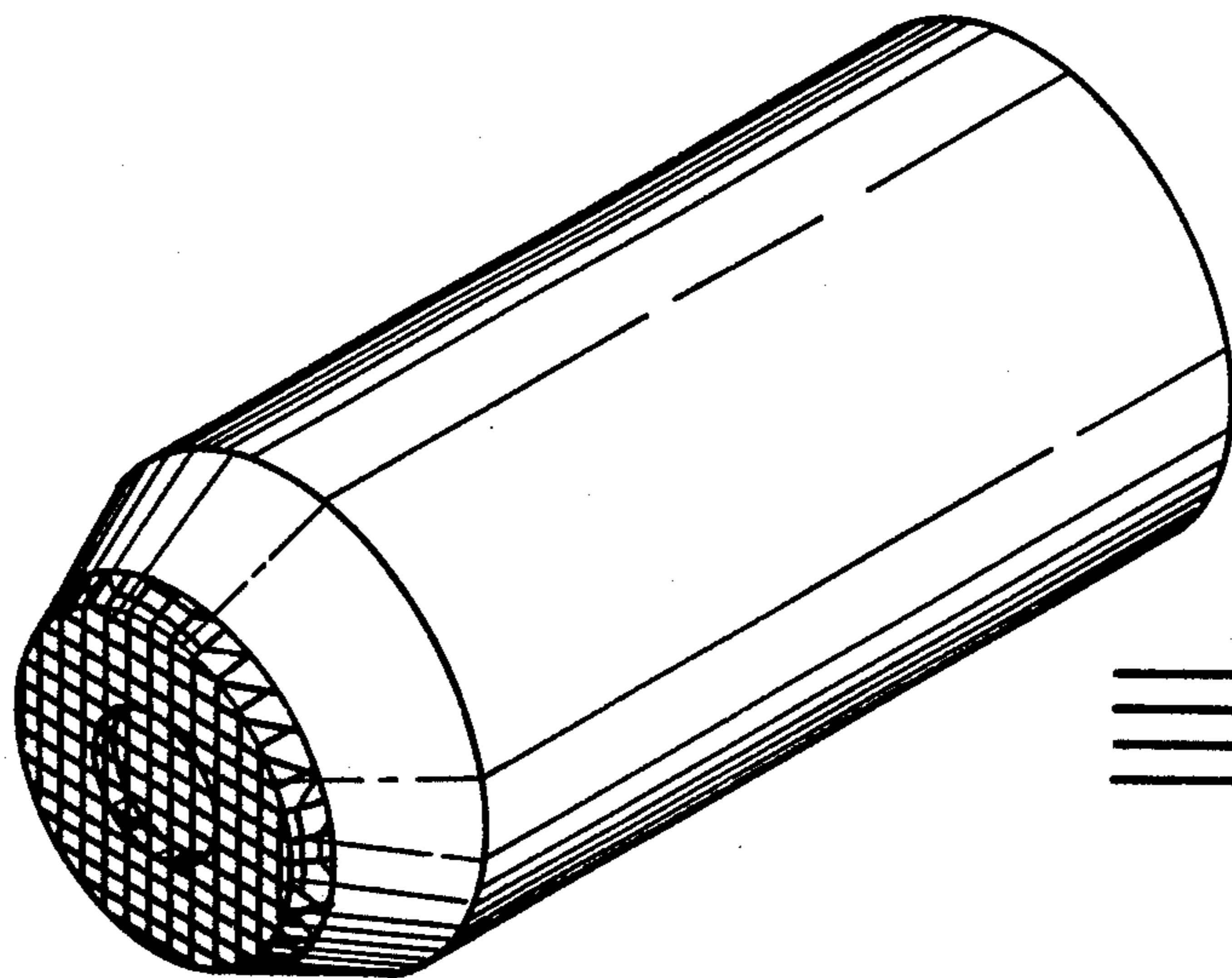


Fig. 1

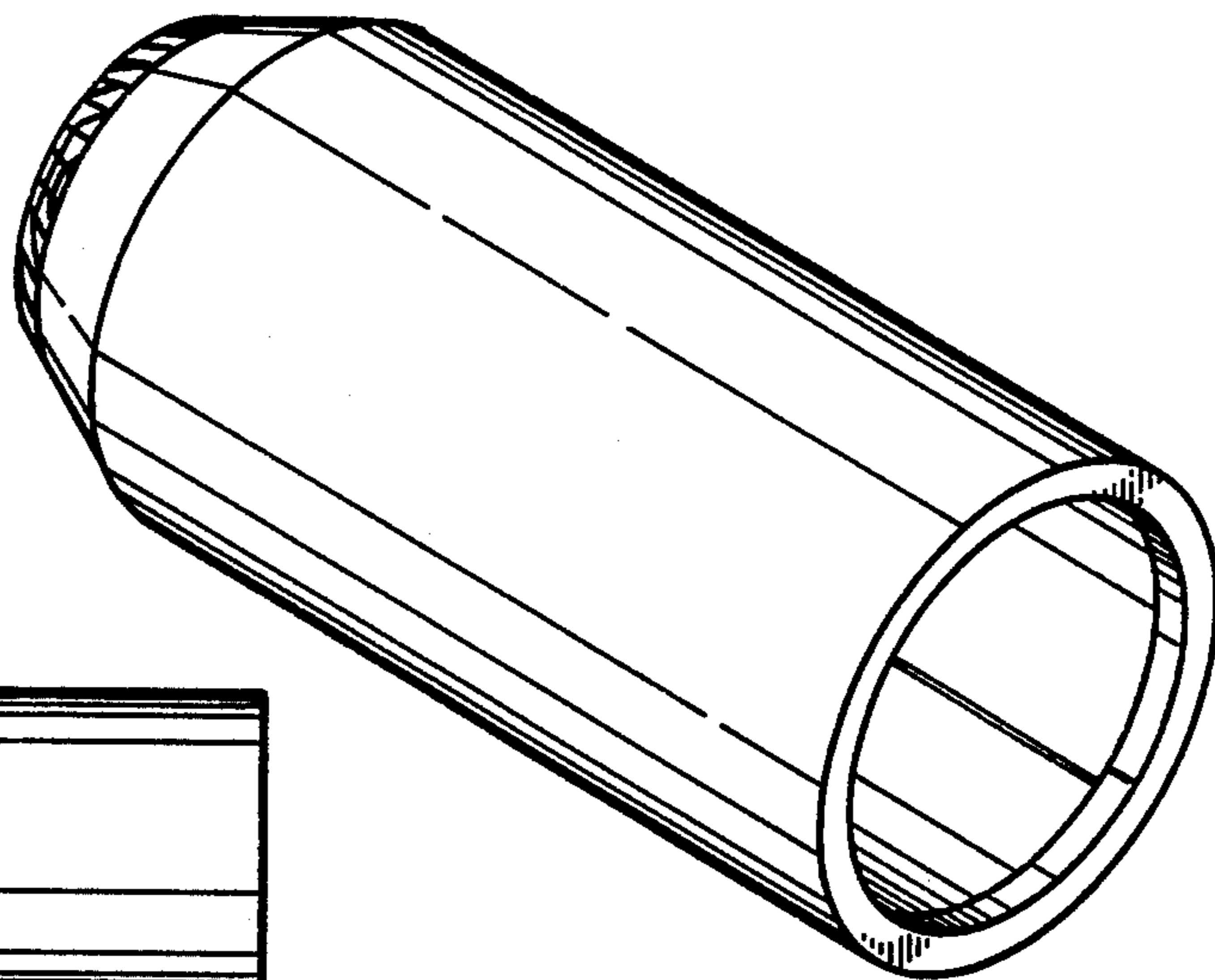


Fig. 2

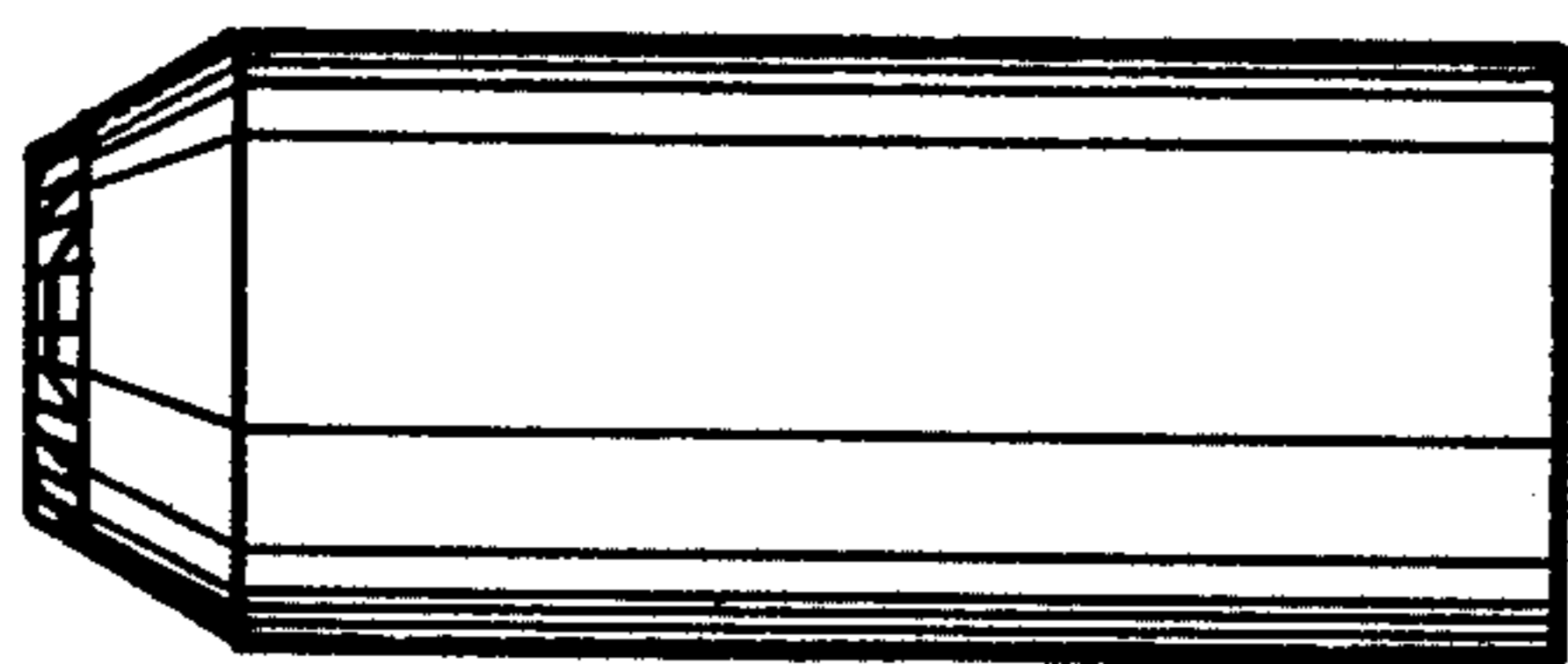


Fig. 3

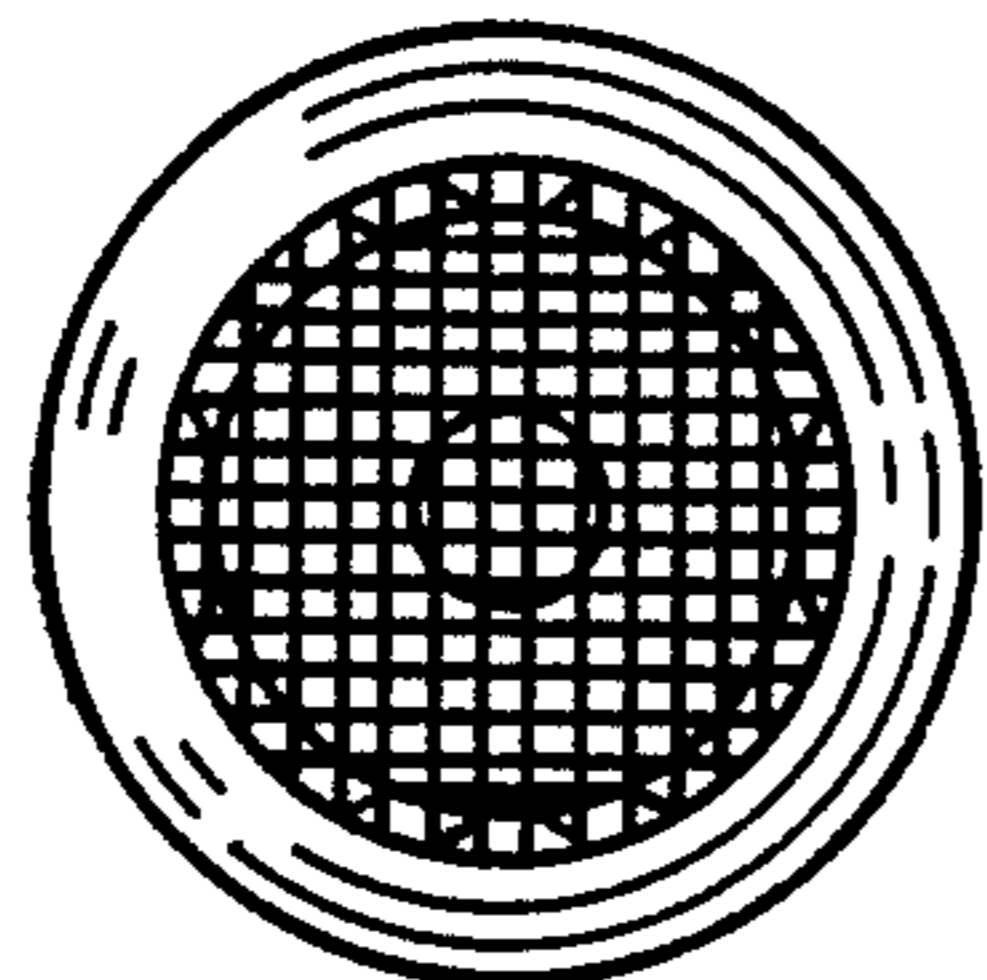


Fig. 4

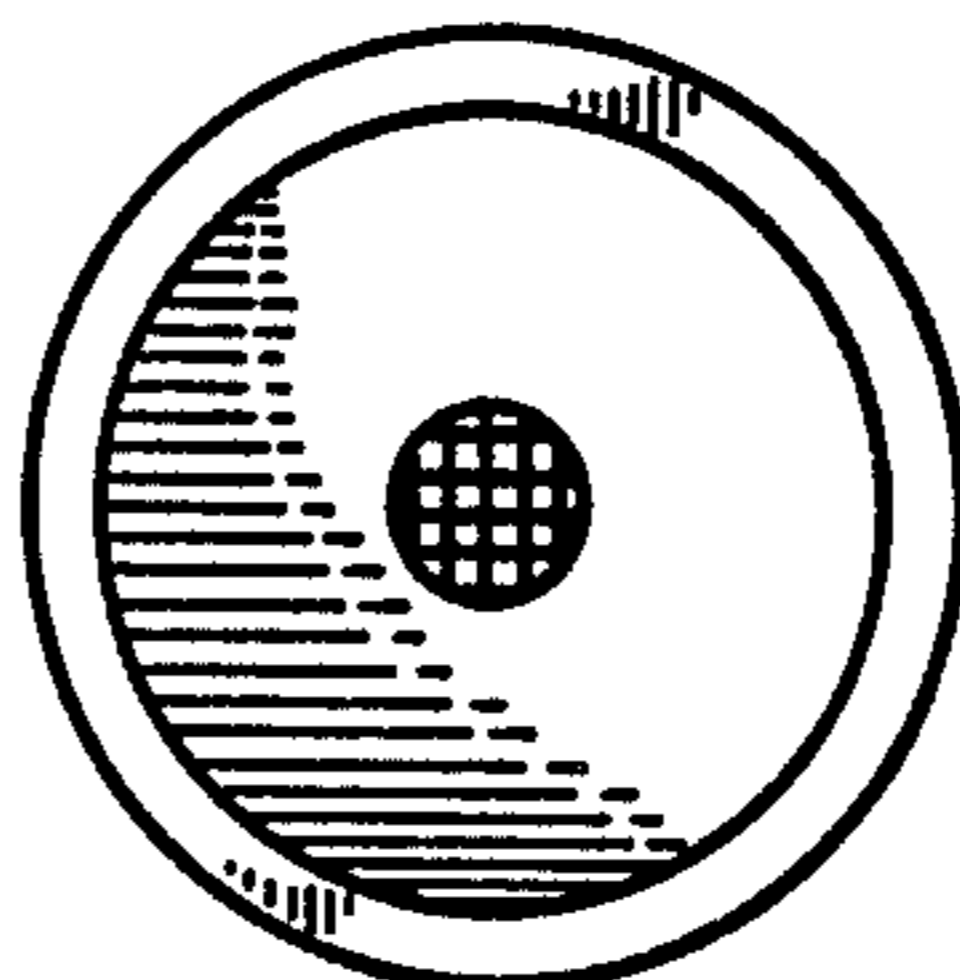


Fig. 5