

[54] EXERCISE FRAMES OR SIMILAR ARTICLE

4,252,314 2/1981 Ceppo 272/144

[76] Inventors: David Ringel, 72 Halstead St., Clinton, N.J. 08809; Kenneth Domzalski, 2250 Plainfield Ave., Piscataway, N.J. 08854

FOREIGN PATENT DOCUMENTS

8302067 6/1983 World Int. Prop. O. 272/143

[**] Term: 14 Years

Primary Examiner—Charles A. Rademaker
Attorney, Agent, or Firm—Arthur L. Plevy

[21] Appl. No.: 804,545

[57] CLAIM

The ornamental design for an exercise frame or similar article, as shown and described.

[22] Filed: Dec. 4, 1985

[52] U.S. Cl. D21/191

DESCRIPTION

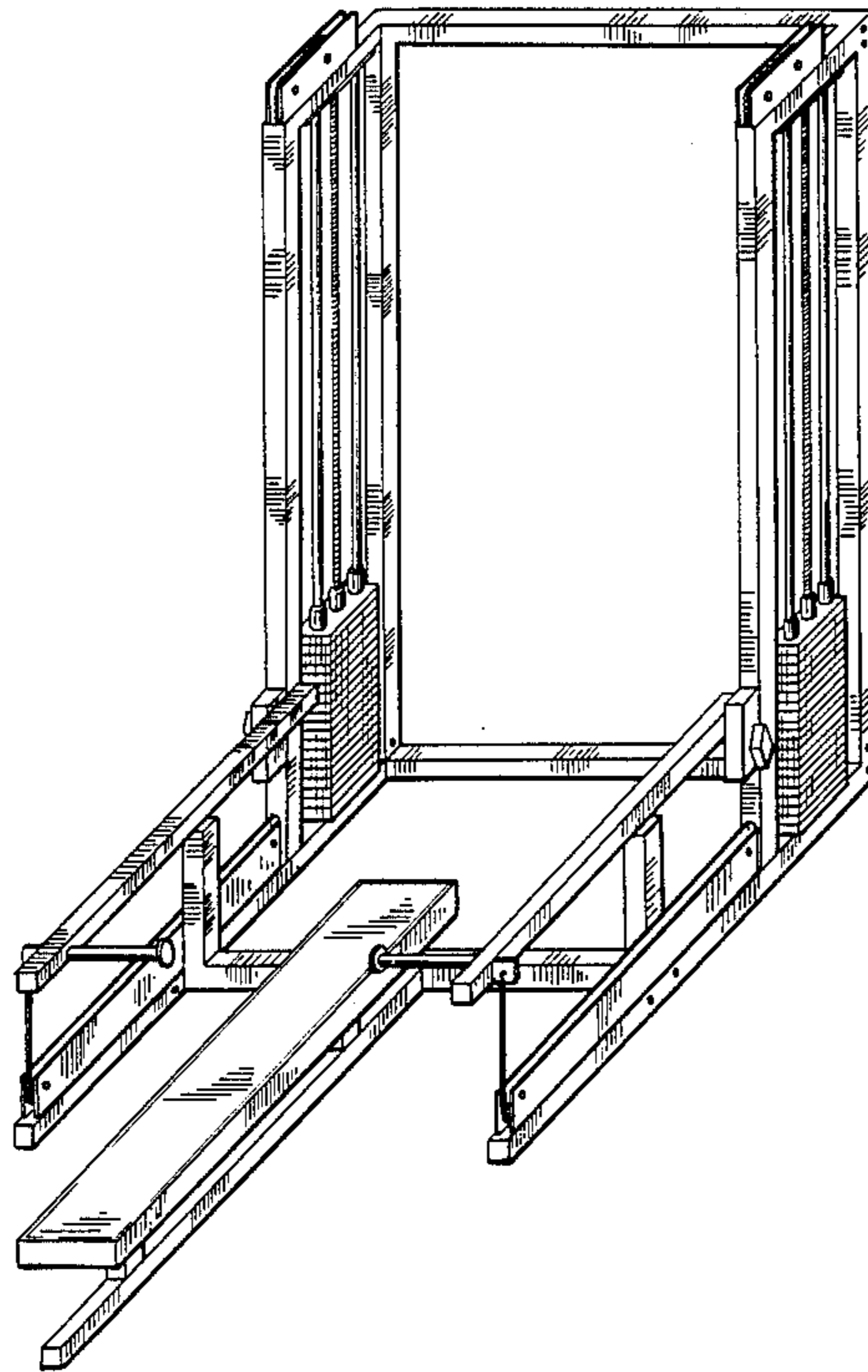
[58] Field of Search D21/191-199;
272/109, 117, 122, 125, 123, 134, 143, 144, 145,
133

FIG. 1 is a perspective view of an exercise frame or similar article showing our new design;
FIG. 2 is a front elevational view thereof;
FIG. 3 is a rear elevational view thereof;
FIG. 4 is a right side elevational view thereof, the side opposite being a mirror image;
FIG. 5 is a top plan view thereof; and,
FIG. 6 is a bottom plan view thereof.

[56] References Cited

U.S. PATENT DOCUMENTS

- D. 290,281 6/1987 Ringel et al. D21/191
- D. 291,338 8/1987 Ringel et al. D21/191



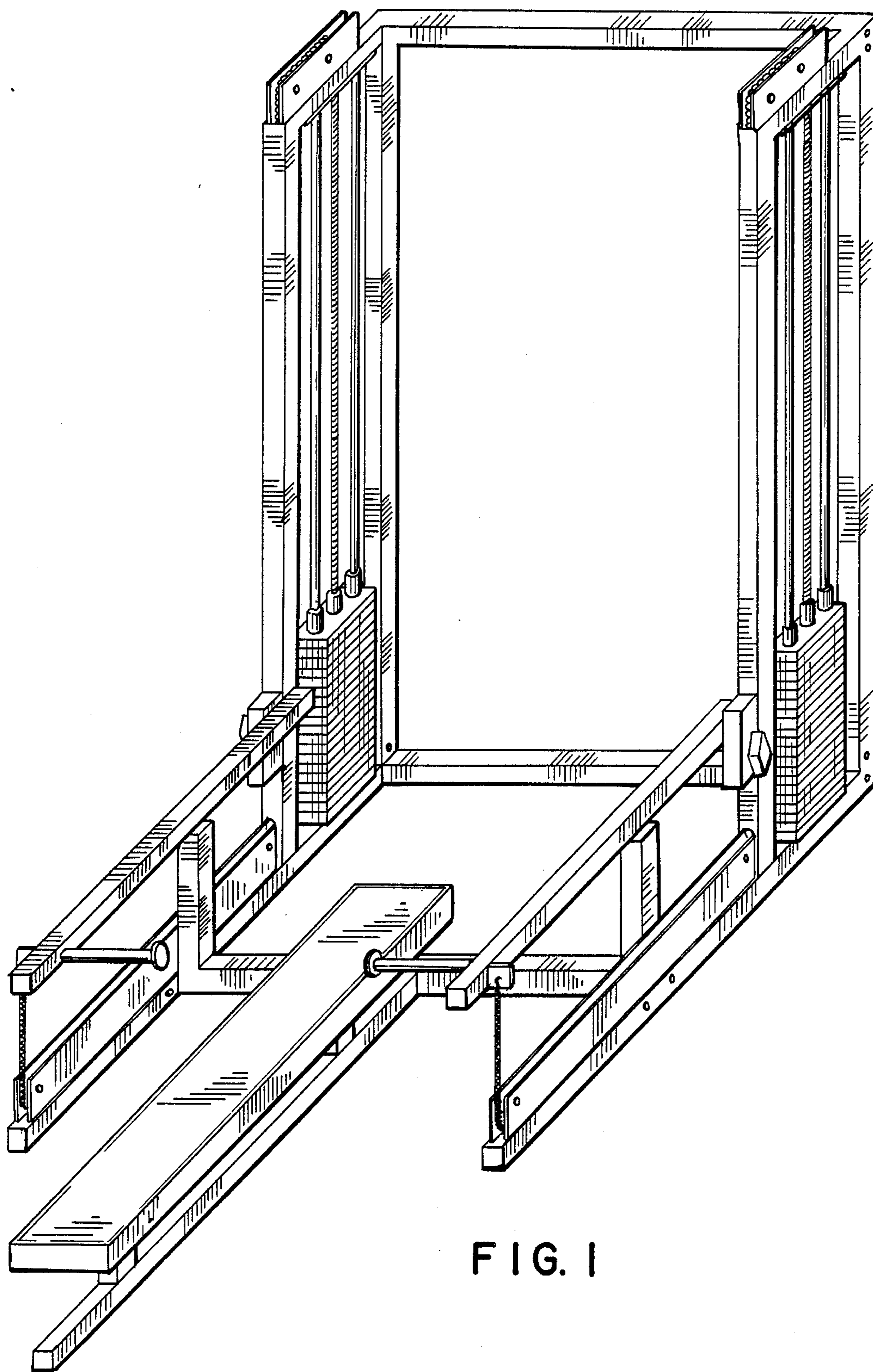


FIG. 1

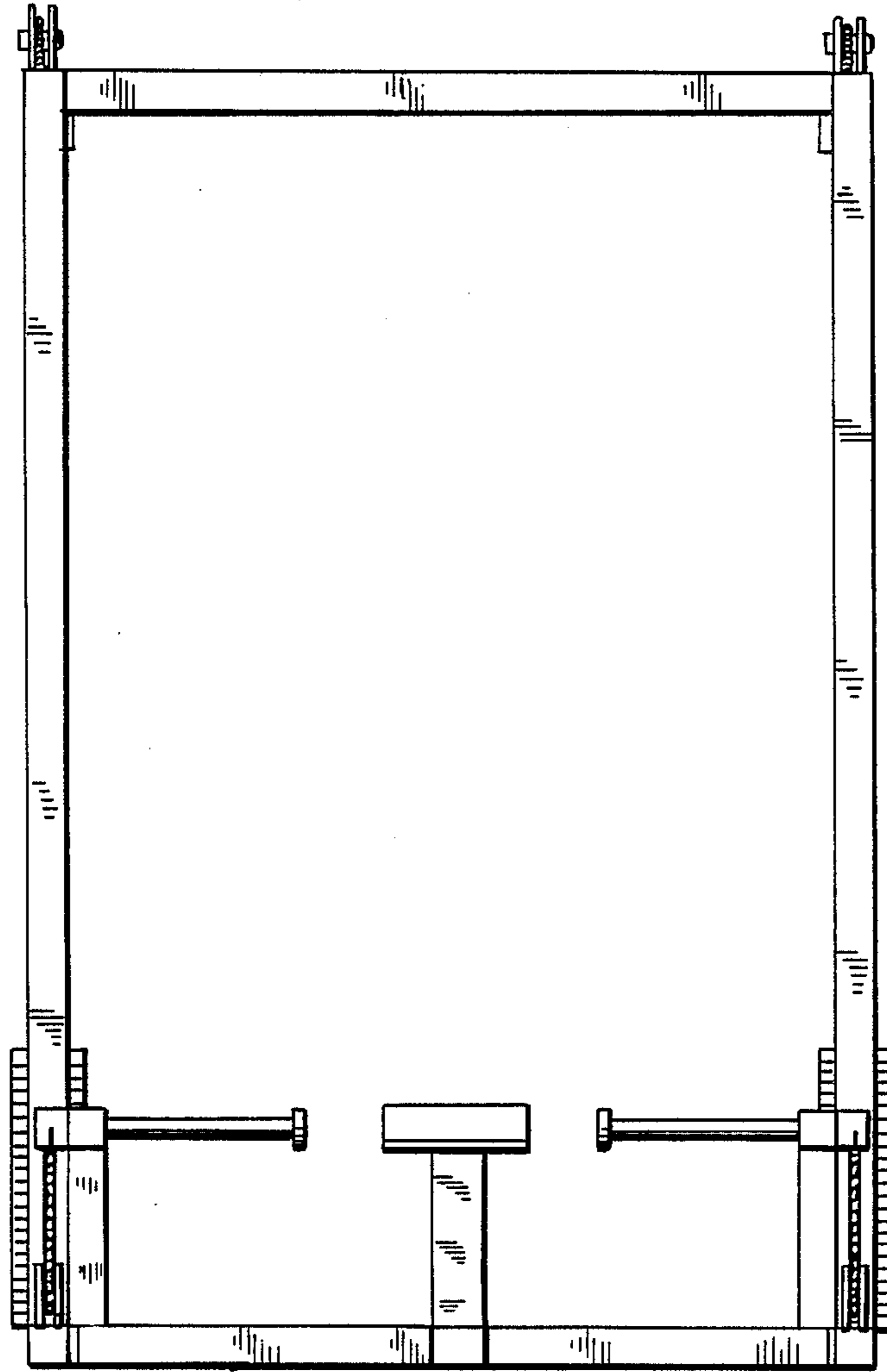


FIG. 2

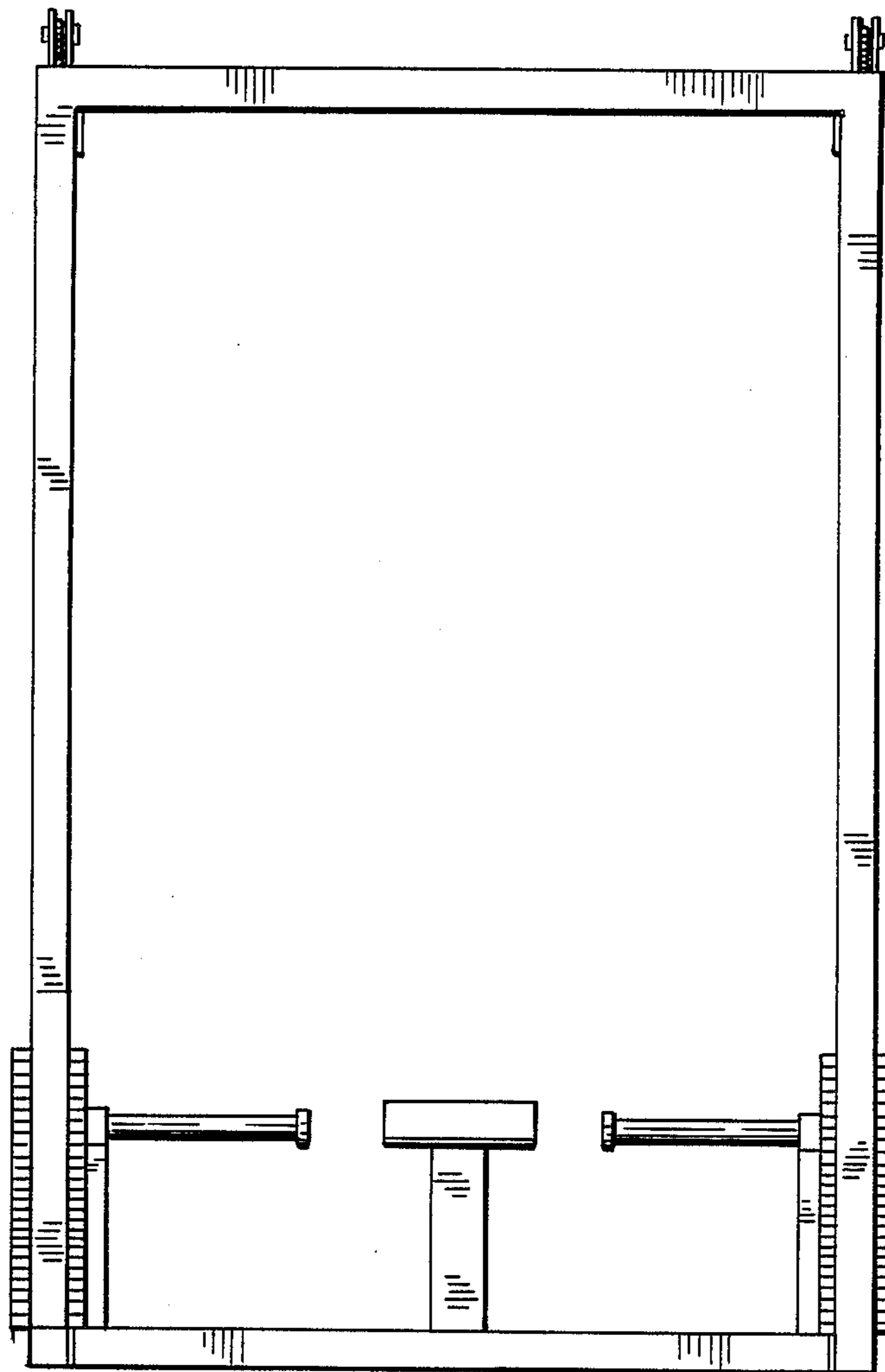


FIG. 3

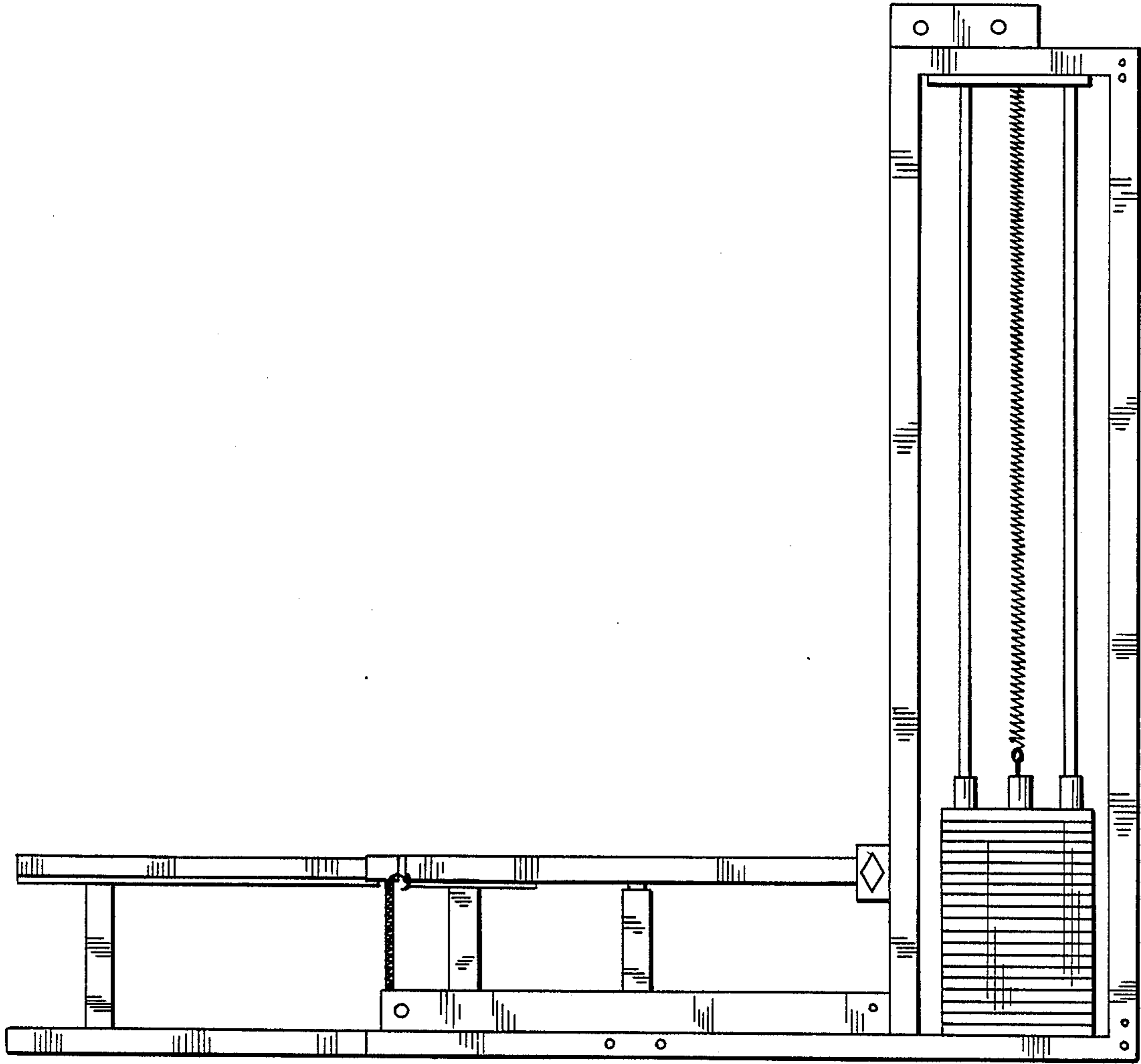


FIG. 4

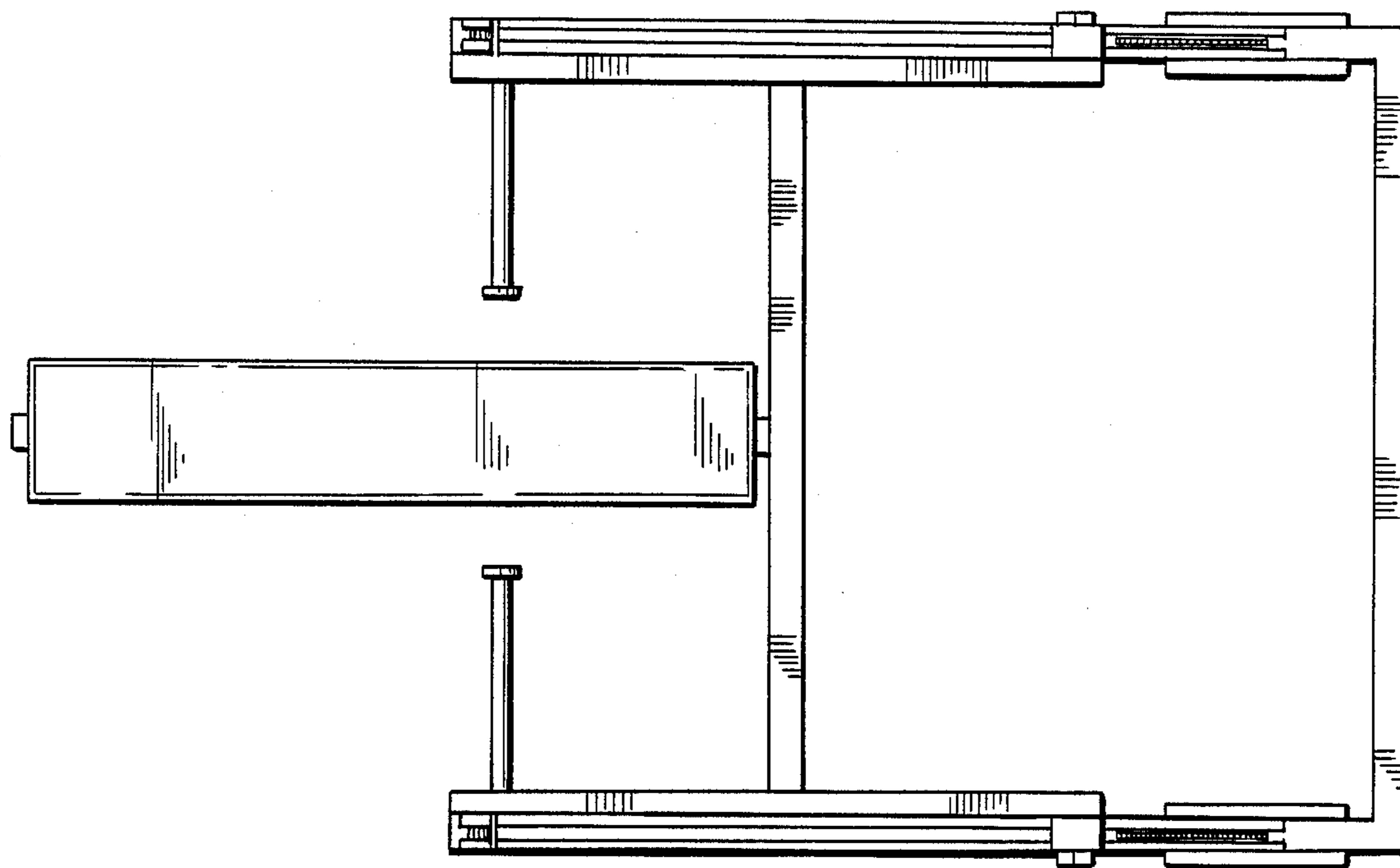


FIG. 5

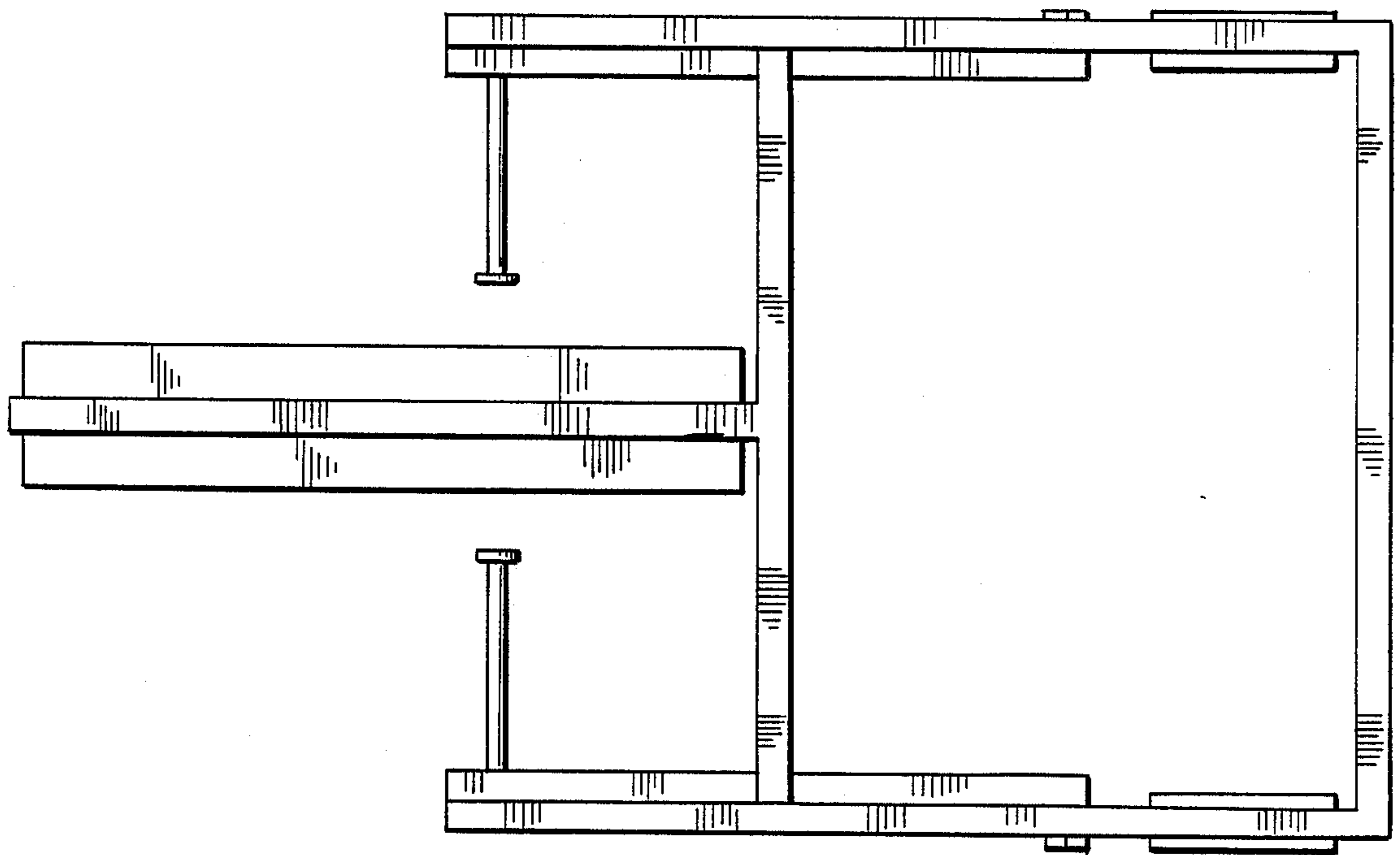


FIG. 6