

United States Patent [19]

Sellner

[11] Patent Number: **Des. 298,344**

[45] Date of Patent: **** Nov. 1, 1988**

[54] GUN FOR AN AMUSEMENT RIDE

[75] Inventor: **Bruce A. Sellner**, Faribault, Minn.

[73] Assignee: **Sellner Productions, Inc.**, Faribault, Minn.

[**] Term: **14 Years**

[21] Appl. No.: **803,937**

[22] Filed: **Nov. 7, 1985**

[52] U.S. Cl. **D21/146**

[58] Field of Search **D21/146, 240, 242, 247, D21/250; 446/473; 272/1 R**

[56] **References Cited**

U.S. PATENT DOCUMENTS

- D. 169,229 3/1953 Tober D21/250
D. 170,153 8/1953 Davis et al. D21/146

D. 174,509 4/1955 Mikolay D21/146

Primary Examiner—Melvin B. Feifer
Attorney, Agent, or Firm—Moore & Hansen

[57] **CLAIM**

The ornamental design for a gun for an amusement ride, as shown and described.

DESCRIPTION

FIG. 1 is a perspective view of a gun for an amusement ride showing my new design;

FIG. 2 is a right side view thereof, it being understood that the left side view is identical to the view shown in FIG. 2;

FIG. 3 is a top plan view thereof;

FIG. 4 is a bottom view thereof;

FIG. 5 is a front view thereof; and

FIG. 6 is a rear view thereof.

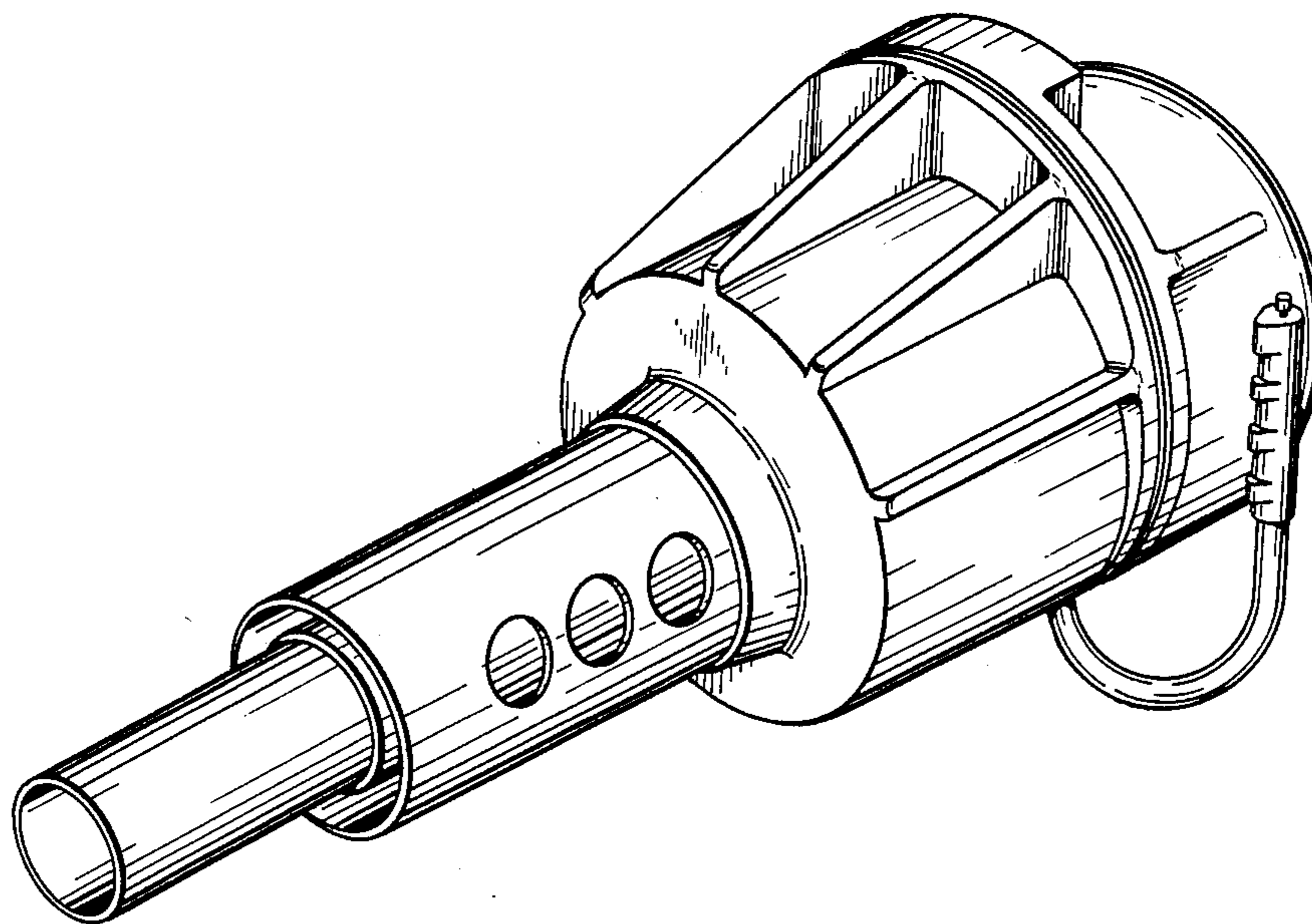


Fig. - 1

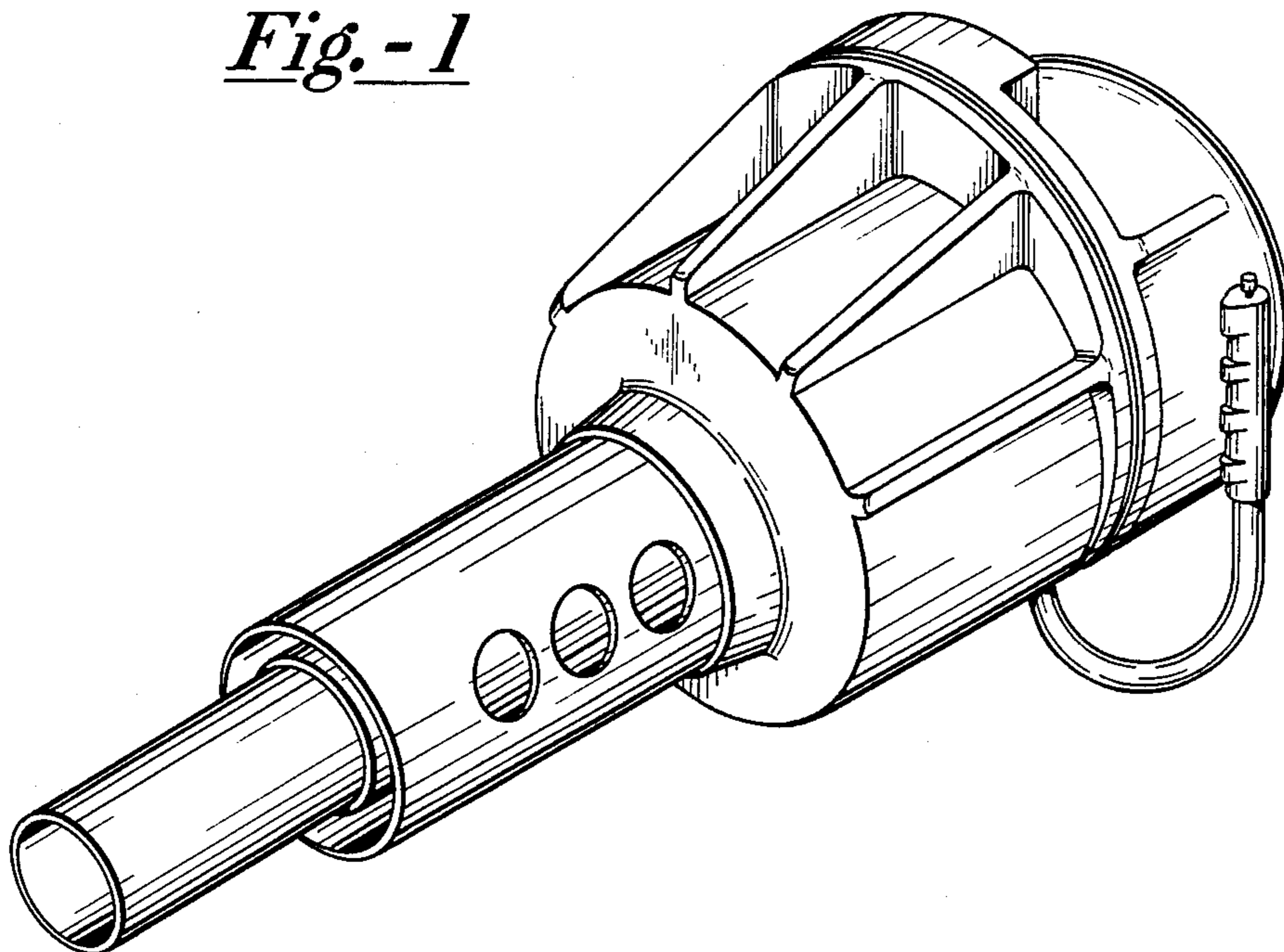


Fig. - 2

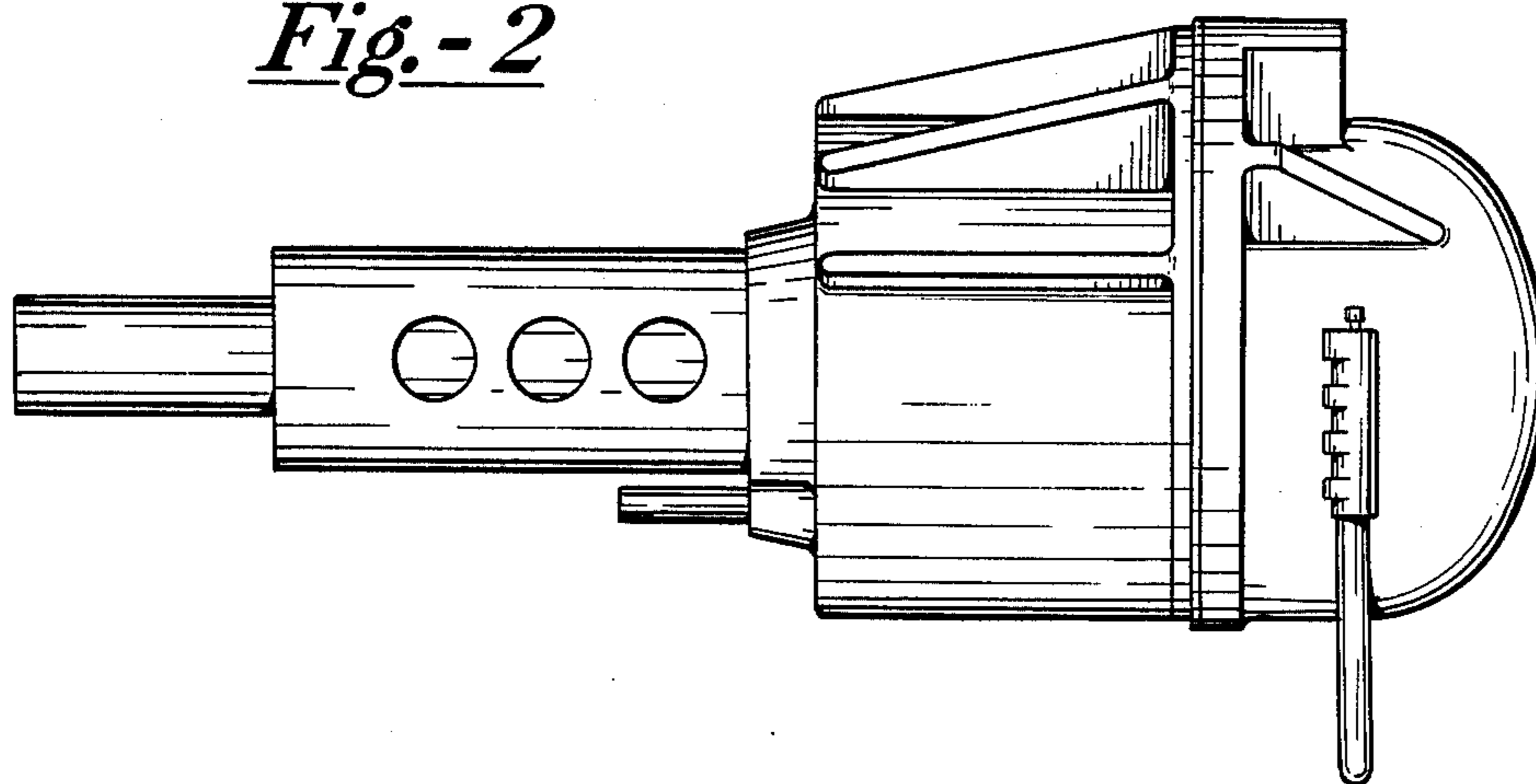


Fig. - 3

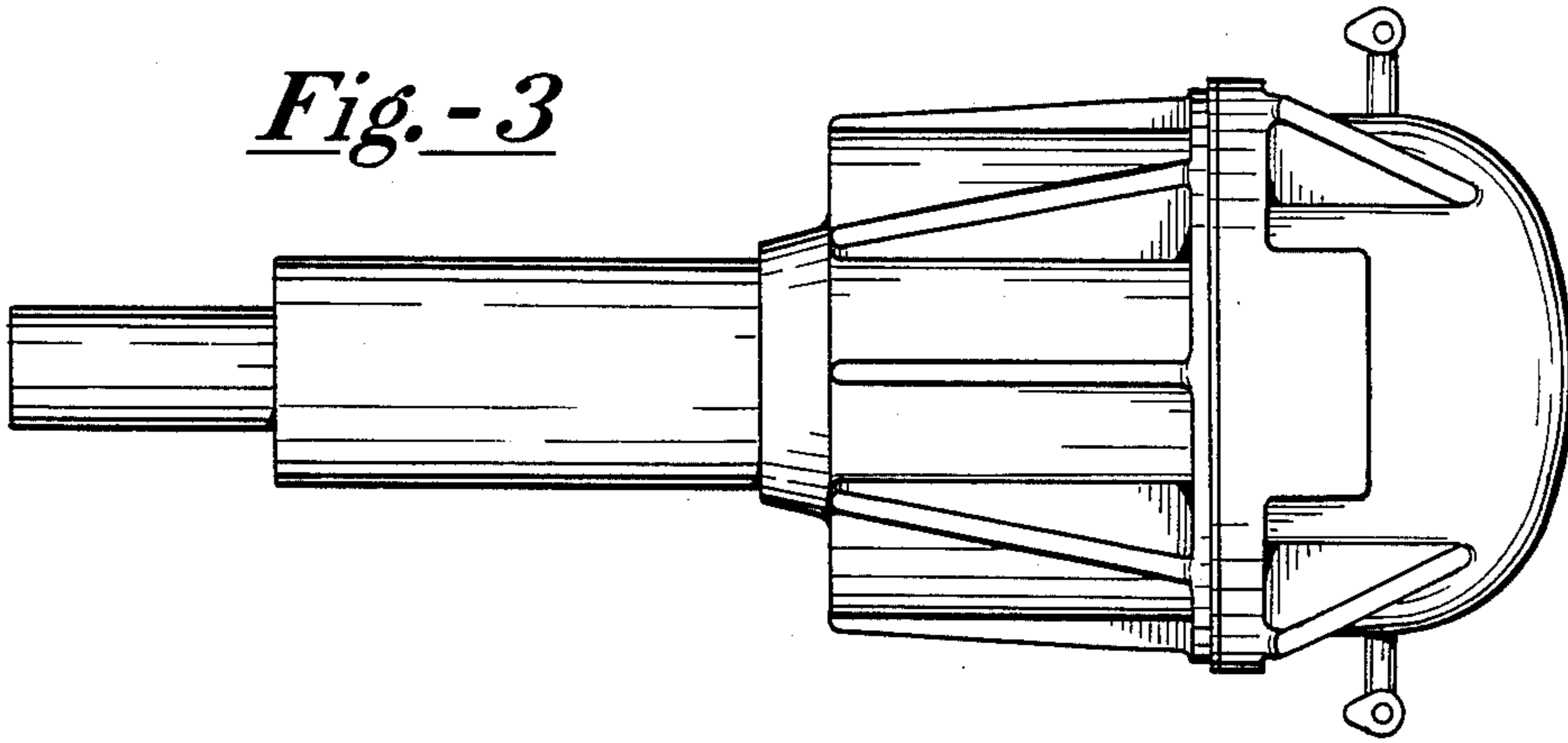


Fig. - 4

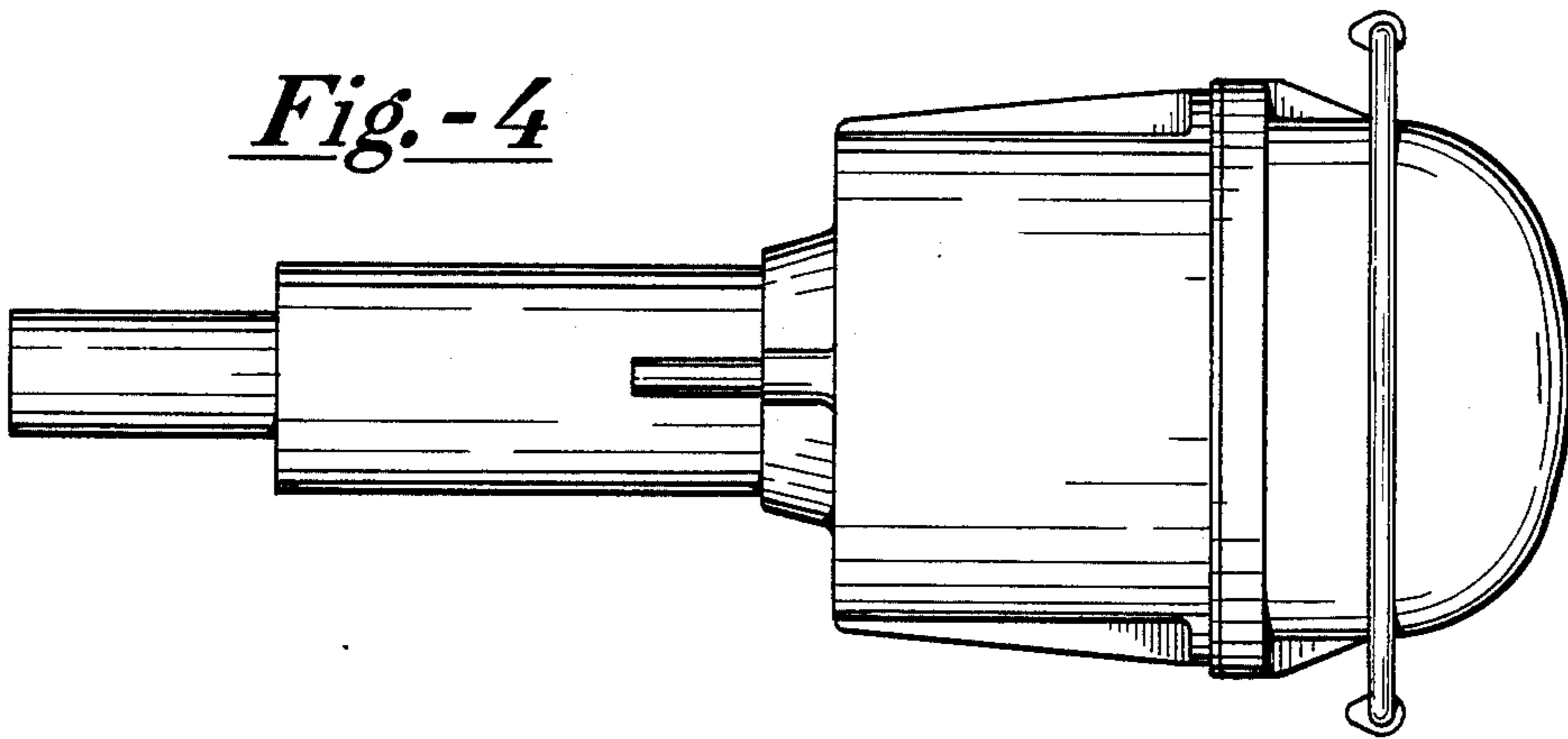


Fig. - 5

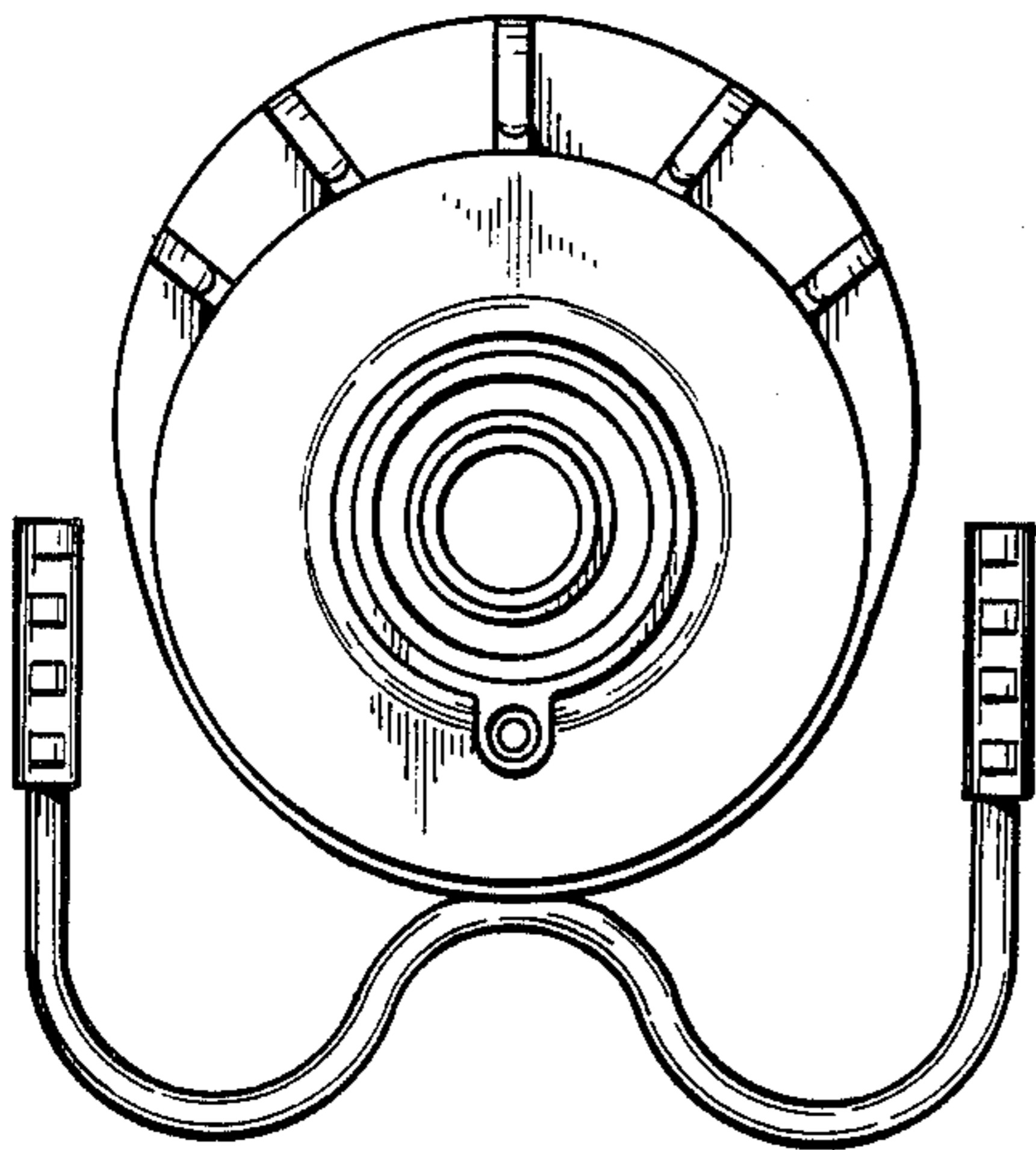


Fig. - 6

