

# United States Patent [19]

Eisenberg et al.

[11] Patent Number: **Des. 298,339**

[45] Date of Patent: **\*\* Nov. 1, 1988**

[54] **TAPE DISPENSER**

[75] Inventors: **Peter M. Eisenberg, Minneapolis;**  
**Richard H. Schmidt, Cottage Grove,**  
both of Minn.

[73] Assignee: **Minnesota Mining and**  
**Manufacturing Company, St. Paul,**  
Minn.

[\*\*] Term: **14 Years**

[21] Appl. No.: **862,387**

[22] Filed: **May 9, 1986**

[52] U.S. Cl. .... **D19/67**

[58] Field of Search ..... **D19/67-69;**  
**225/6, 77, 56, 45, 89, 65, 19; 312/39**

[56] **References Cited**

## U.S. PATENT DOCUMENTS

D. 157,219 2/1950 Vavrik ..... D19/68  
D. 164,733 10/1951 Pretzfelder ..... D19/69  
D. 185,639 7/1959 Hofmann-Igl ..... D19/69

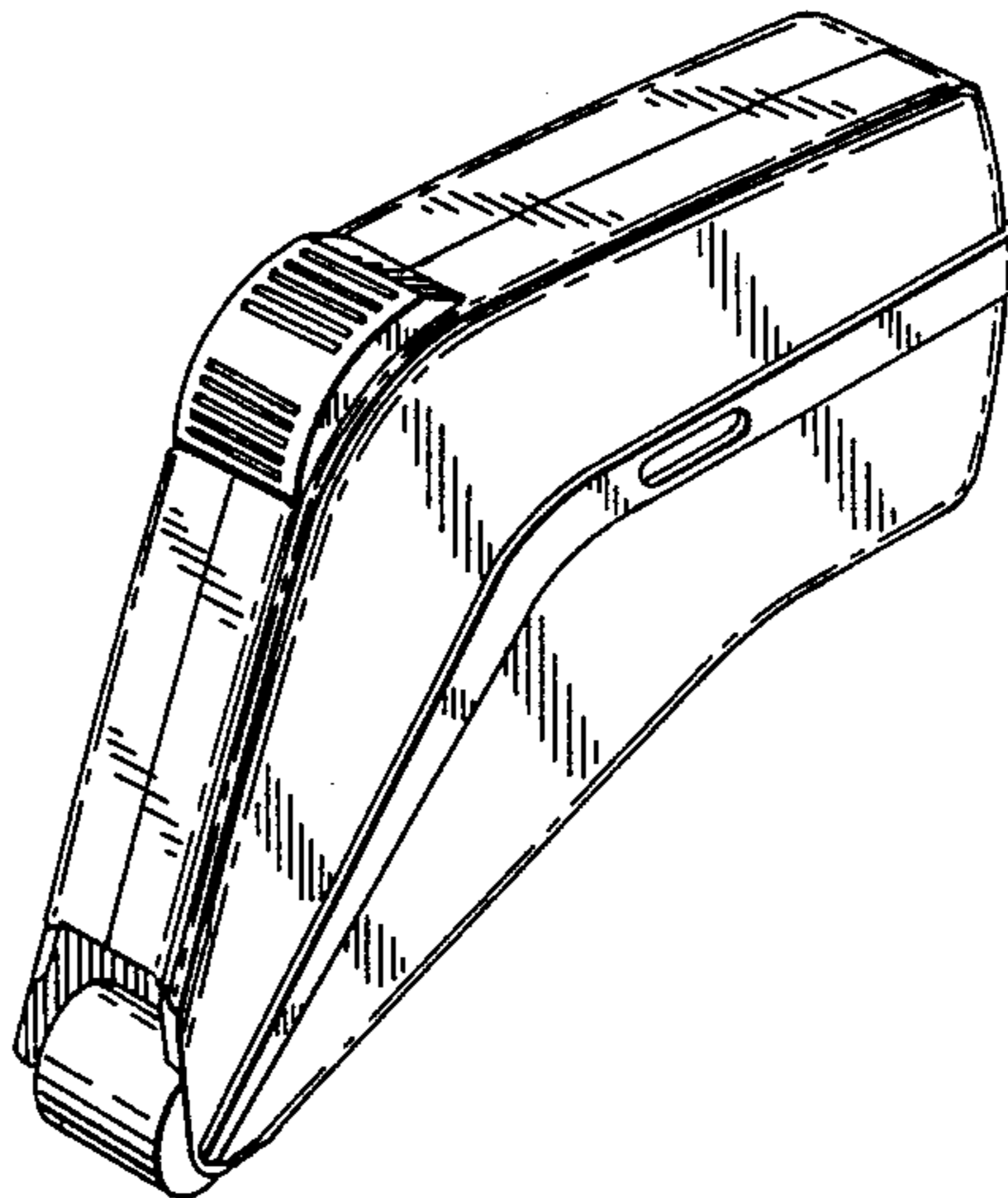
*Primary Examiner*—Charles A. Rademaker  
*Attorney, Agent, or Firm*—Donald M. Sell; John C.  
Barnes

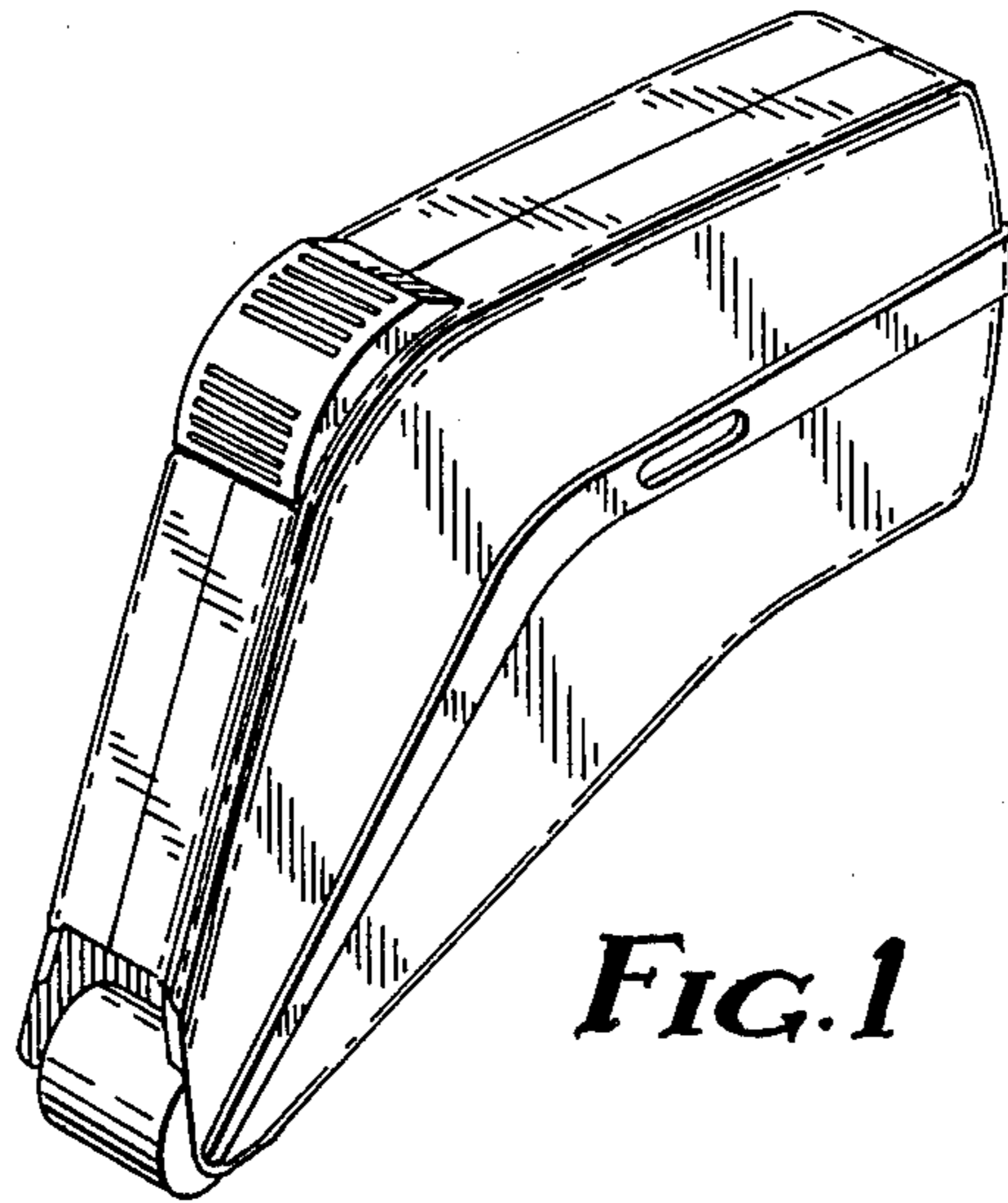
[57] **CLAIM**

The ornamental design for a tape dispenser, as shown.

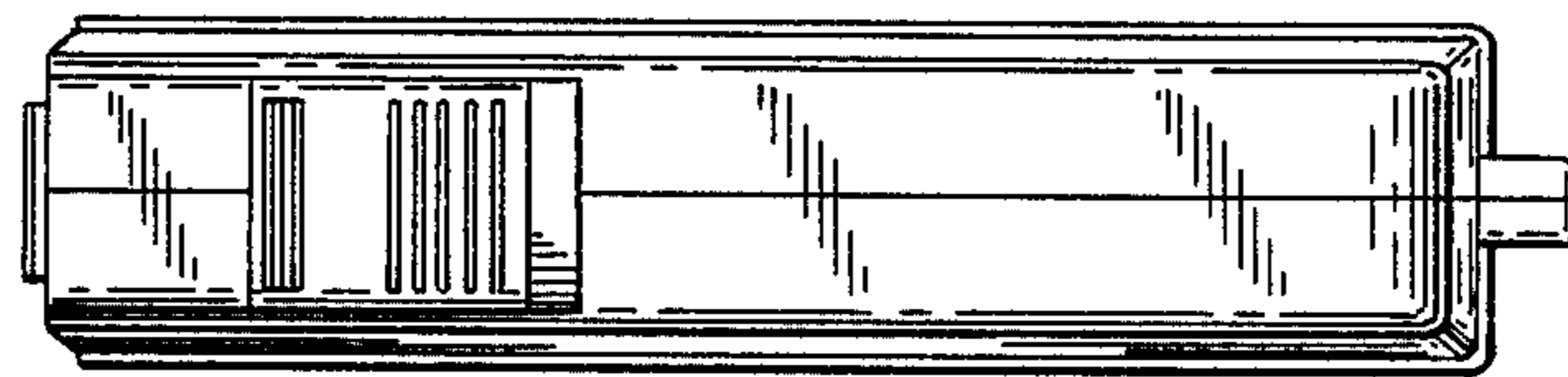
## DESCRIPTION

FIG. 1 is a perspective view of a tape dispenser showing our new design;  
FIG. 2 is a left side elevational view;  
FIG. 3 is a right side elevational view;  
FIG. 4 is a rear elevational view;  
FIG. 5 is a front elevational view;  
FIG. 6 is a top plan view; and  
FIG. 7 is a bottom plan view.





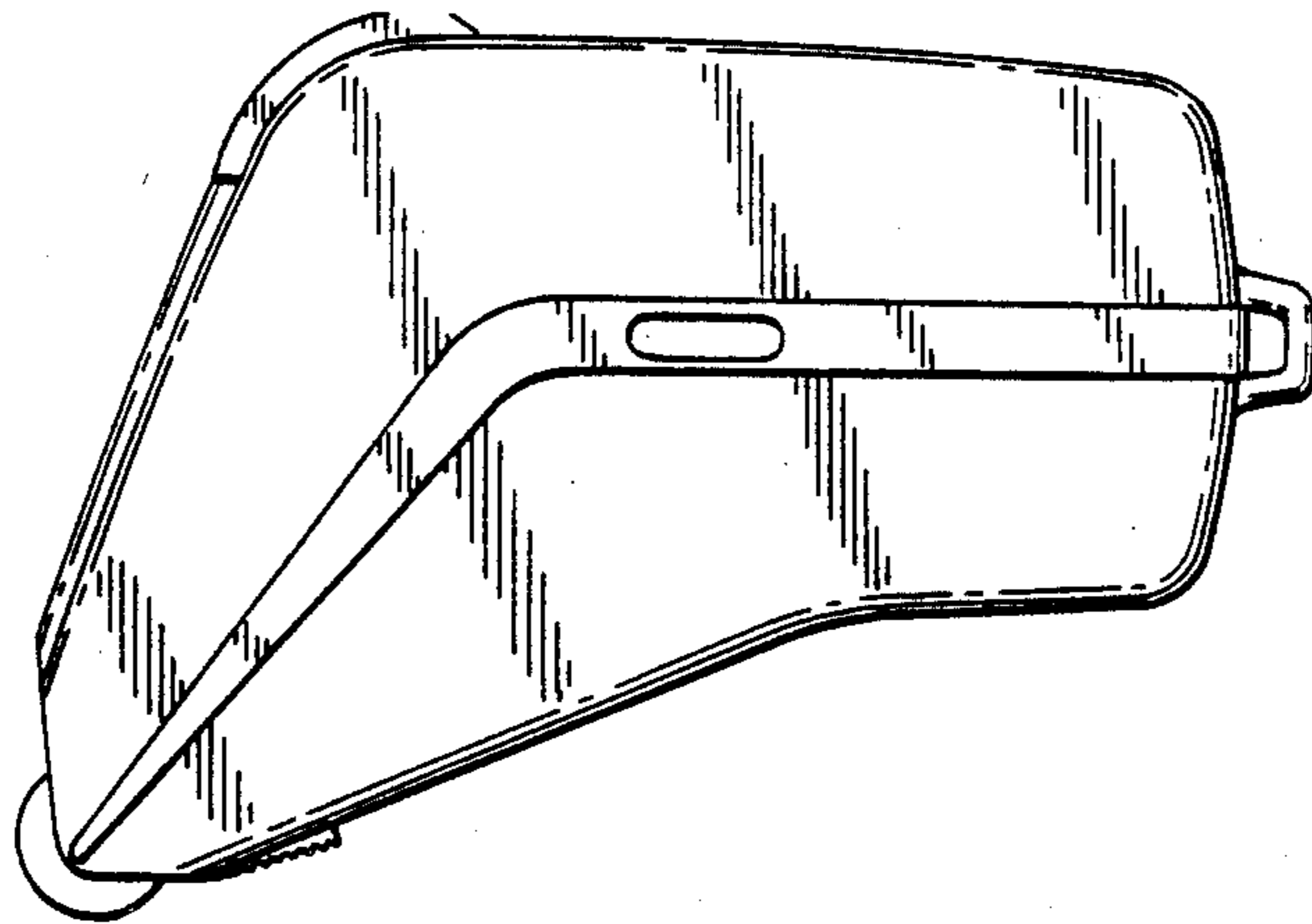
*FIG. 1*



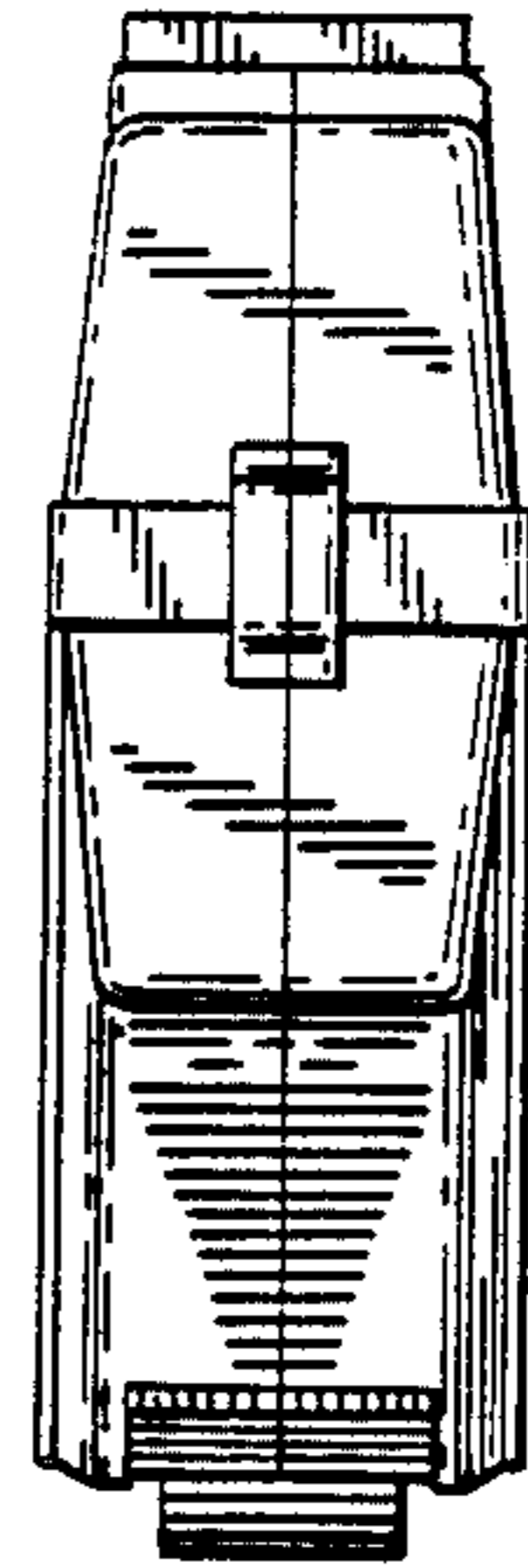
*FIG. 6*



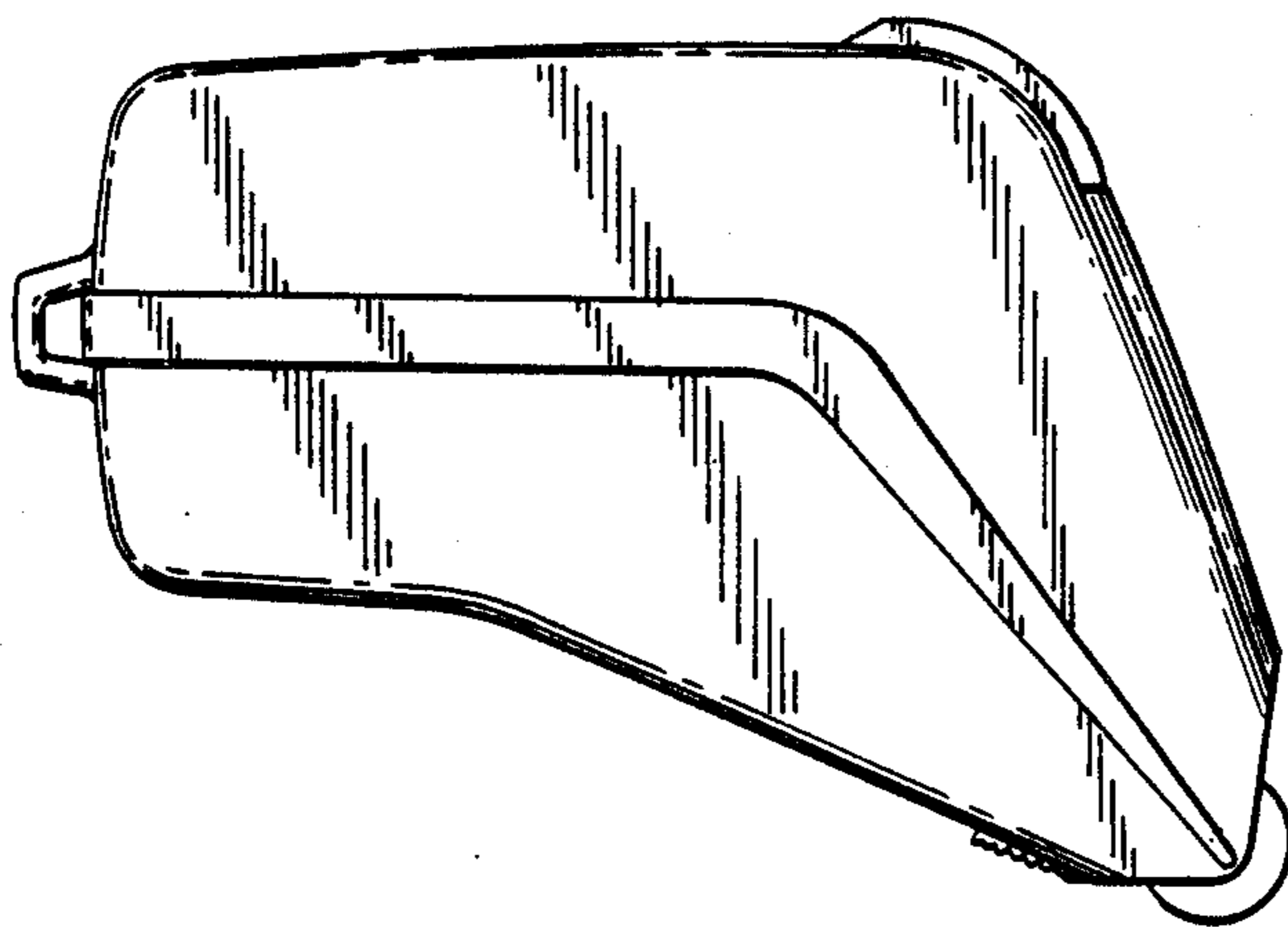
*FIG. 7*



*FIG. 2*



*FIG. 4*



*FIG. 3*



*FIG. 5*