

# United States Patent [19]

Yoshida et al.

[11] Patent Number: **Des. 298,338**

[45] Date of Patent: **\*\* Nov. 1, 1988**

[54] RANGE FINDING DEVICE FOR CLOSE-UP

[75] Inventors: **Michio Yoshida, Tokyo; Isao Nakazawa, Kawasaki, both of Japan**

[73] Assignee: **Canon Kabushiki Kaisha, Tokyo, Japan**

[\*\*] Term: **14 Years**

[21] Appl. No.: **813,959**

[22] Filed: **Dec. 27, 1985**

[30] Foreign Application Priority Data

Jul. 8, 1985 [JP] Japan ..... 60-29009

[52] U.S. Cl. .... **D16/38; D16/10**

[58] Field of Search ..... **D16/10, 38, 44, 47; 354/80, 81, 162, 293; 355/39**

[56] References Cited

### U.S. PATENT DOCUMENTS

D. 197,257 12/1963 Fladlien ..... D16/38  
D. 216,486 1/1970 Lipsitz ..... D16/44 X  
D. 246,527 11/1977 Pfefer ..... D16/38  
D. 283,821 5/1986 Lemmey ..... D16/10

2,466,171 4/1949 Hencke ..... 355/39 X  
3,622,239 11/1971 Miller ..... 355/39  
3,687,030 8/1972 Dine ..... 354/293  
3,758,205 9/1973 Oxberry ..... D16/44 X  
4,222,654 9/1980 Bodenhamer ..... 354/293

*Primary Examiner*—Nelson C. Holtje

*Attorney, Agent, or Firm*—Fitzpatrick, Cella, Harper & Scinto

### [57] CLAIM

The ornamental design for a range finding device for close-up, as shown and described.

### DESCRIPTION

FIG. 1 is a front elevational view of a range finding device for close-up showing our new design;  
FIG. 2 is a rear elevational view thereof;  
FIG. 3 is a top plan view thereof;  
FIG. 4 is a bottom plan view thereof;  
FIG. 5 is a left side elevational view thereof;  
FIG. 6 is a right side elevational view thereof;  
FIG. 7 is a top and left front perspective view thereof;  
FIG. 8 is a front perspective view thereof in the broken down and folded position.

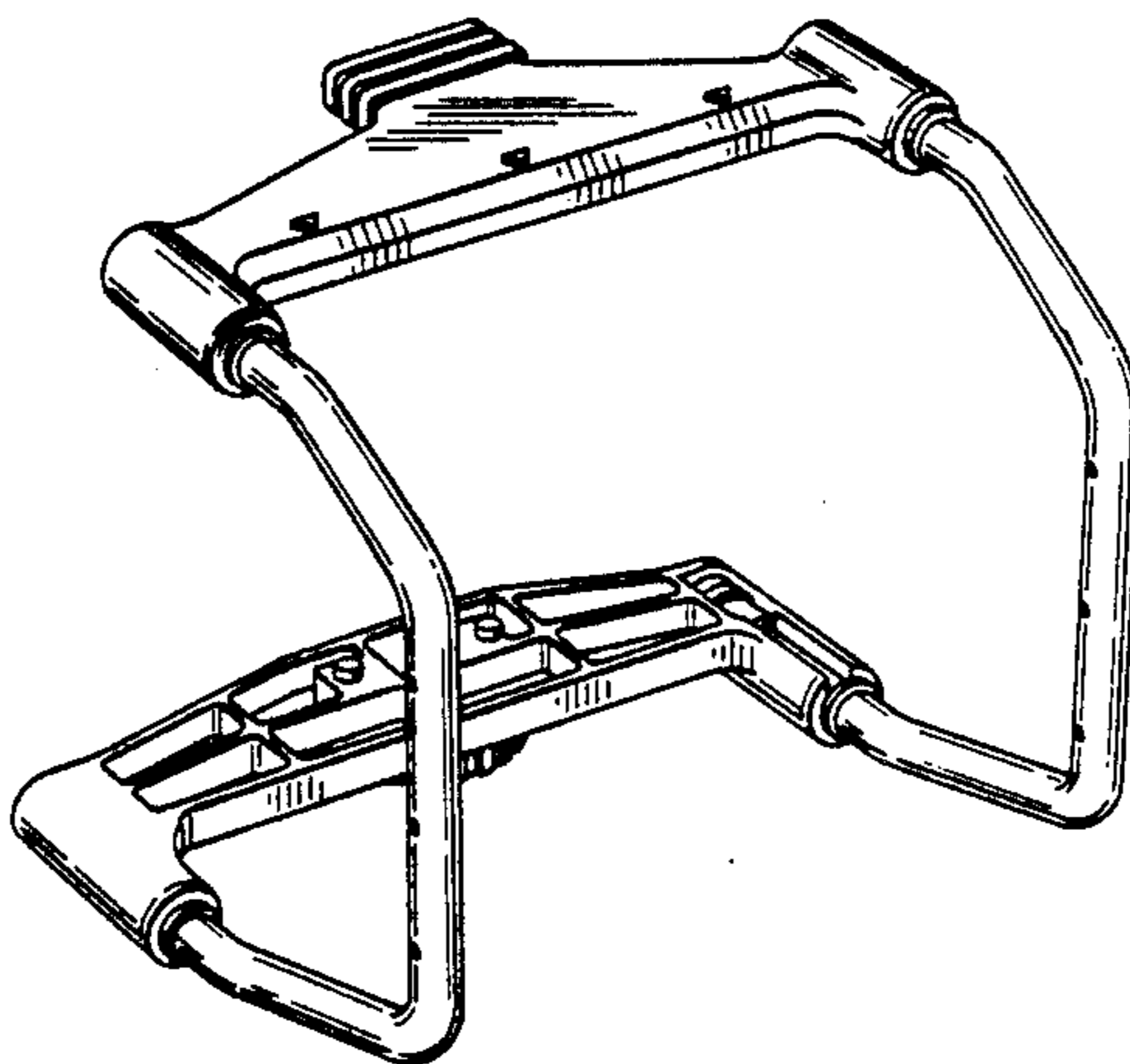


FIG. 1

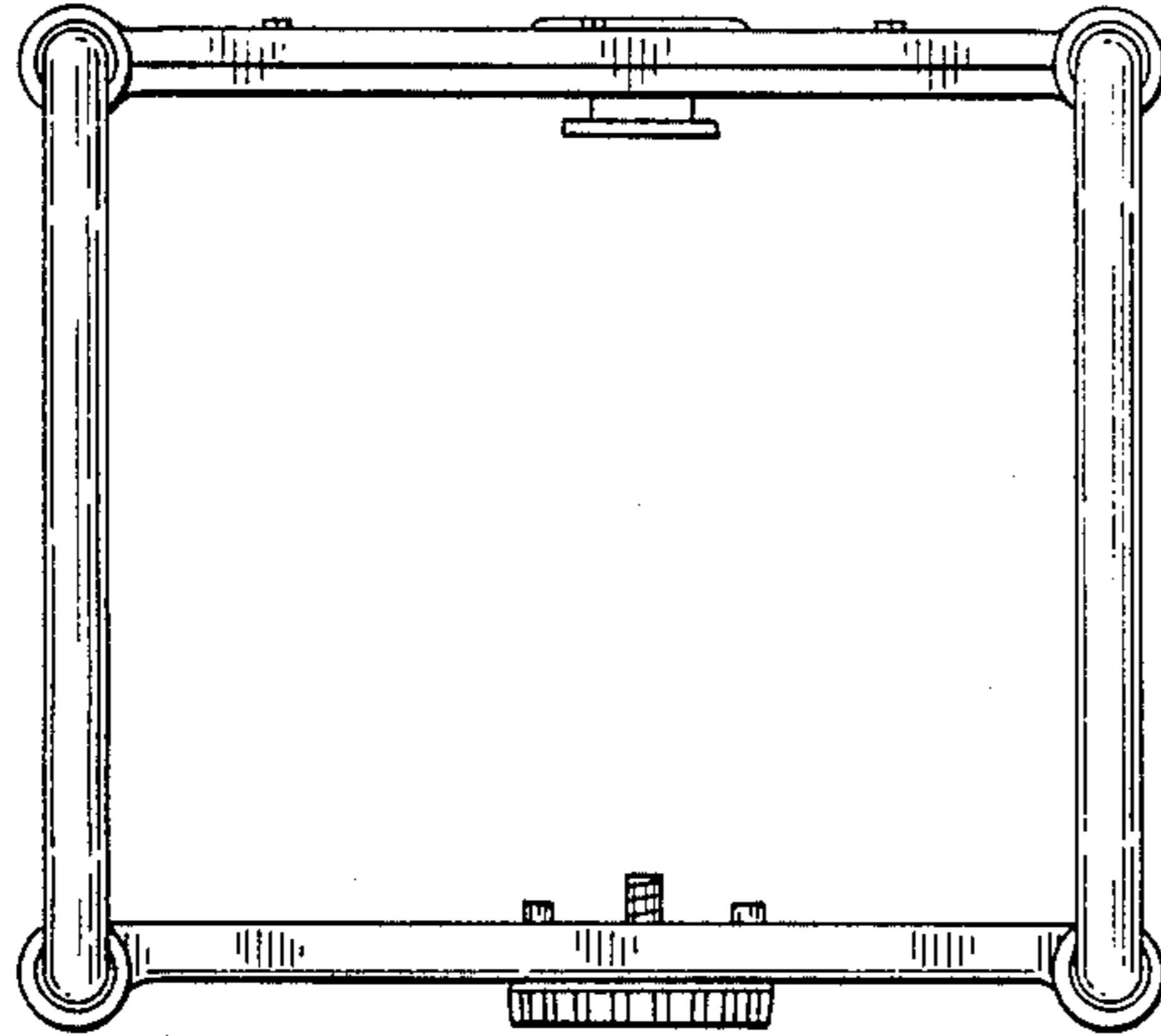


FIG. 2

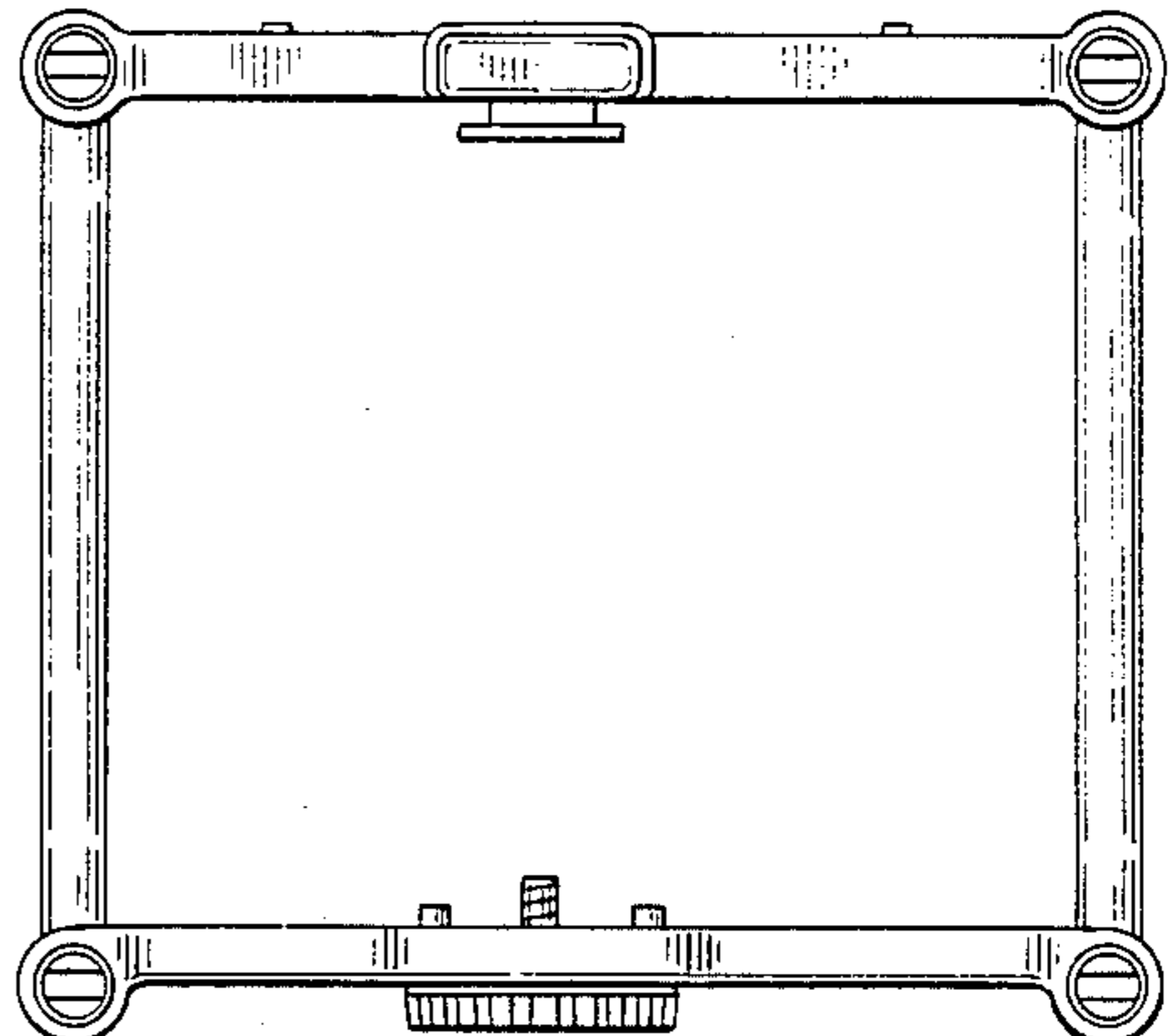


FIG. 3

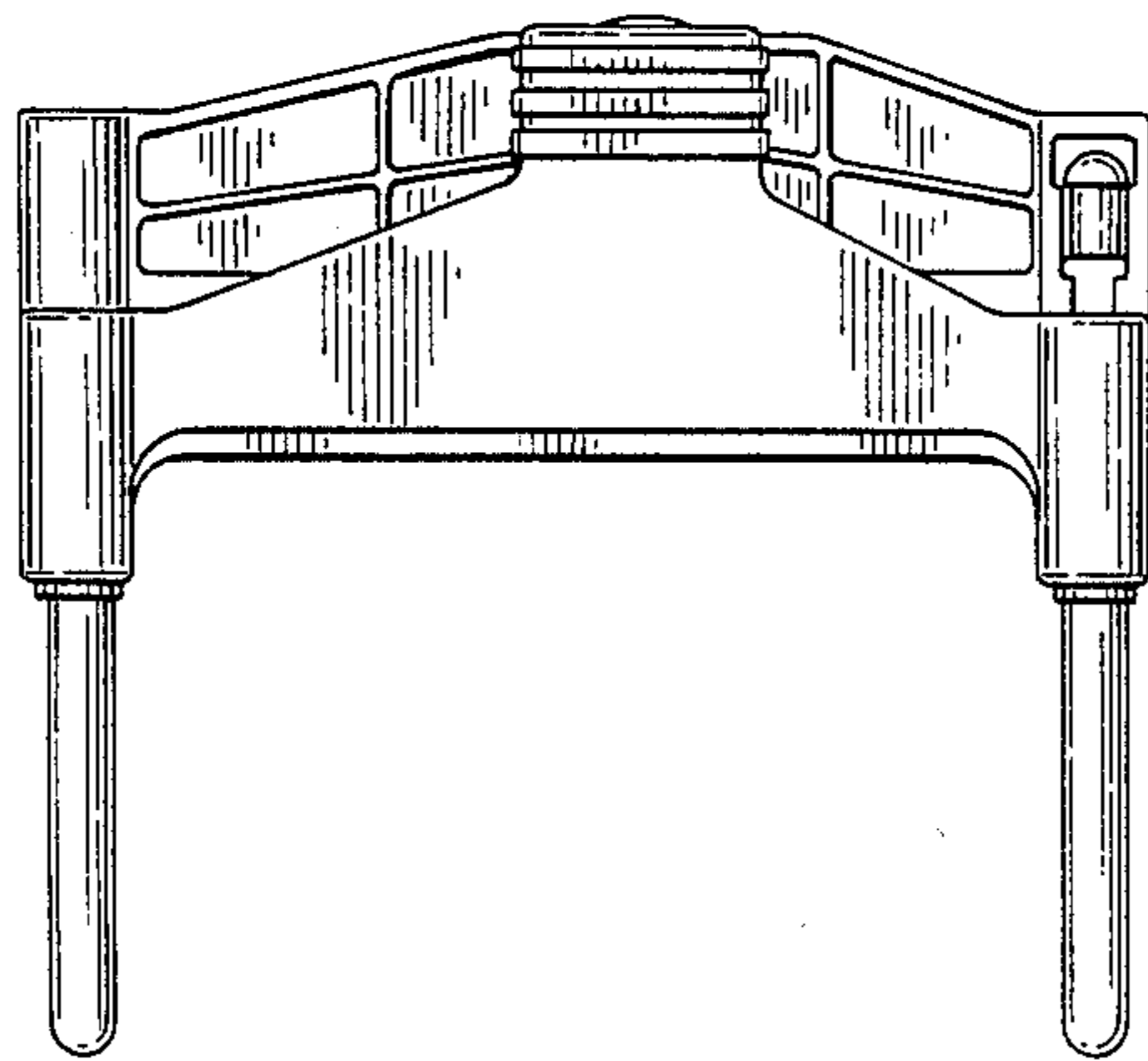


FIG. 4

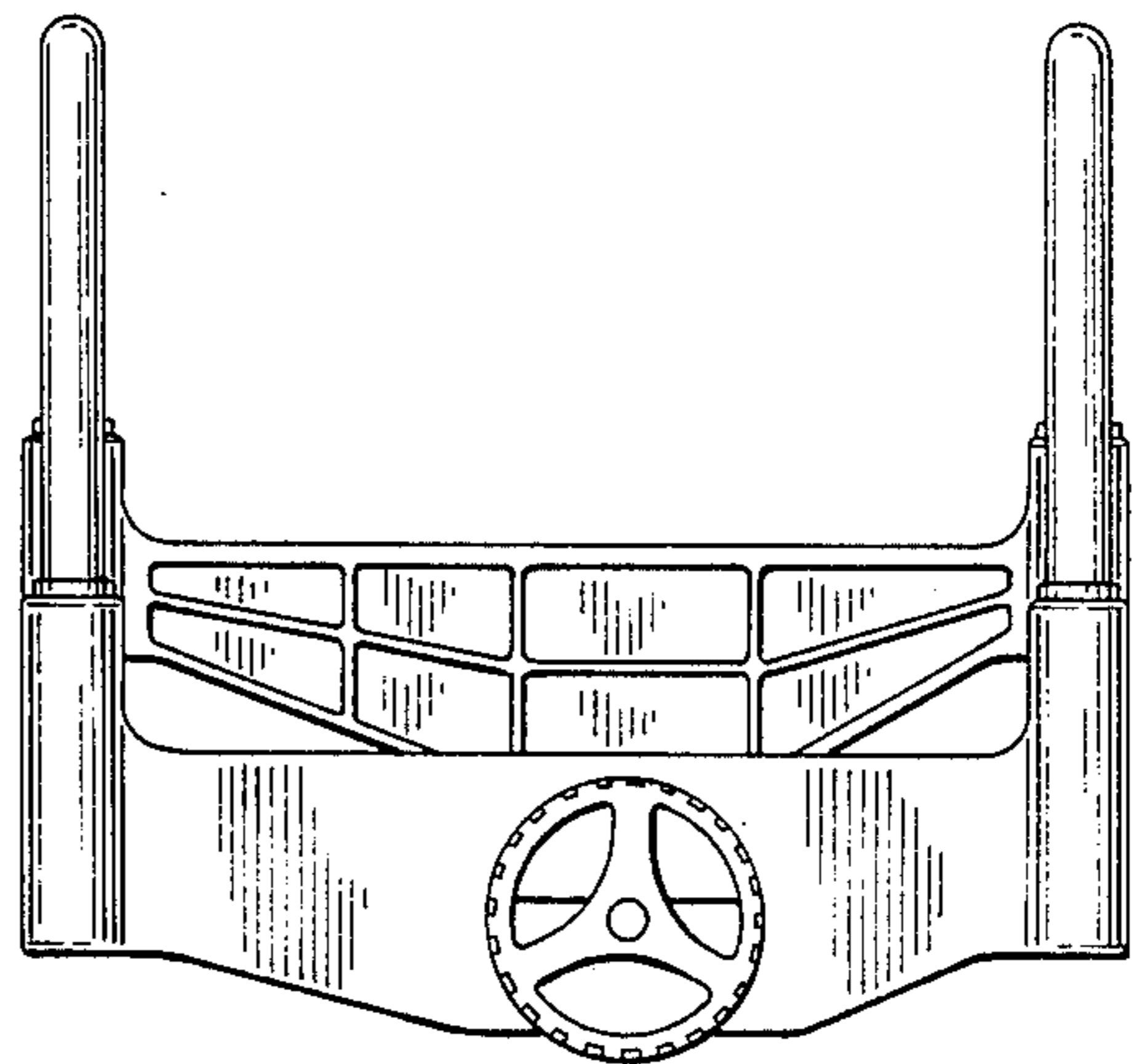


FIG. 5

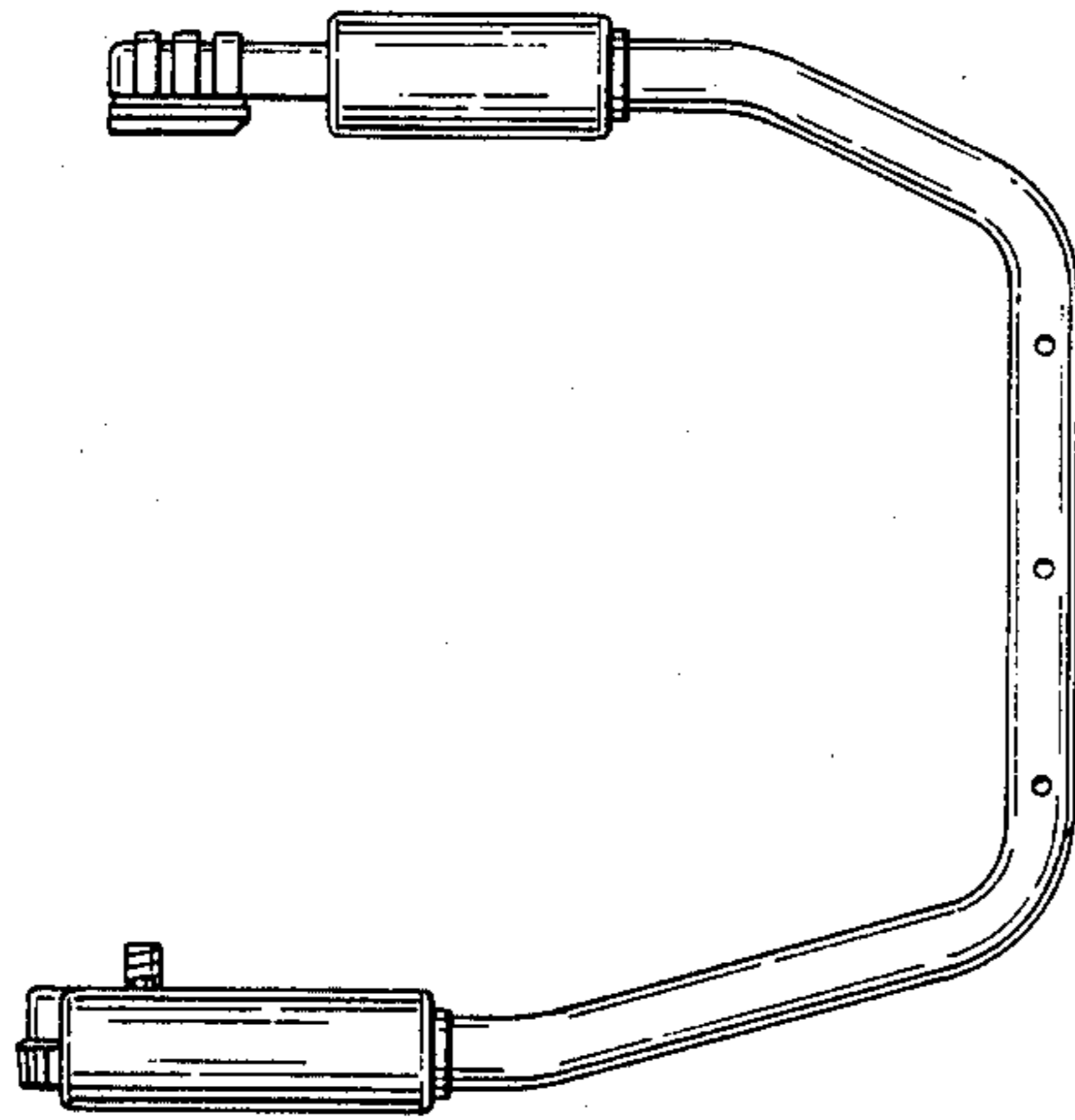


FIG. 6

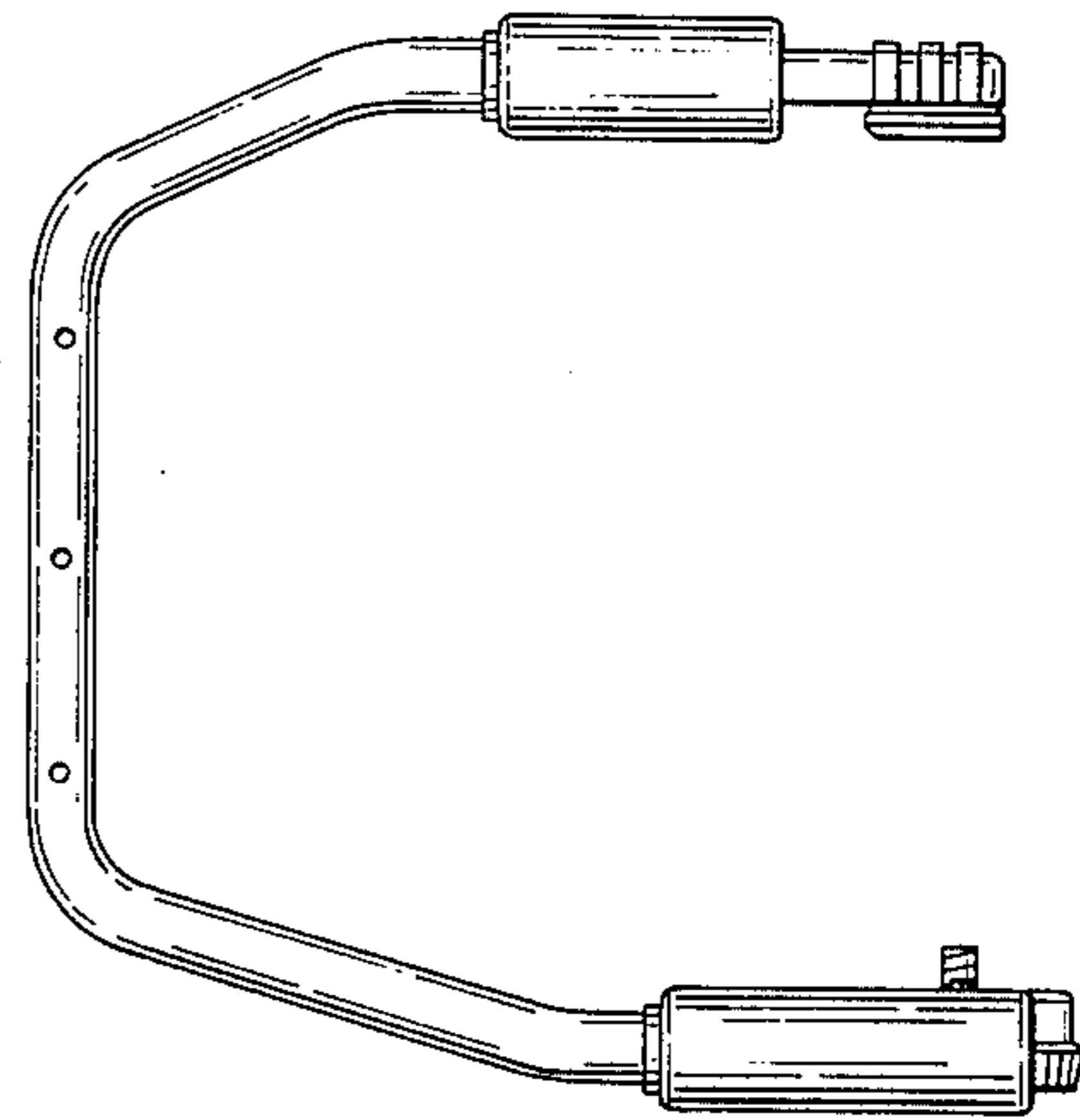


FIG. 7

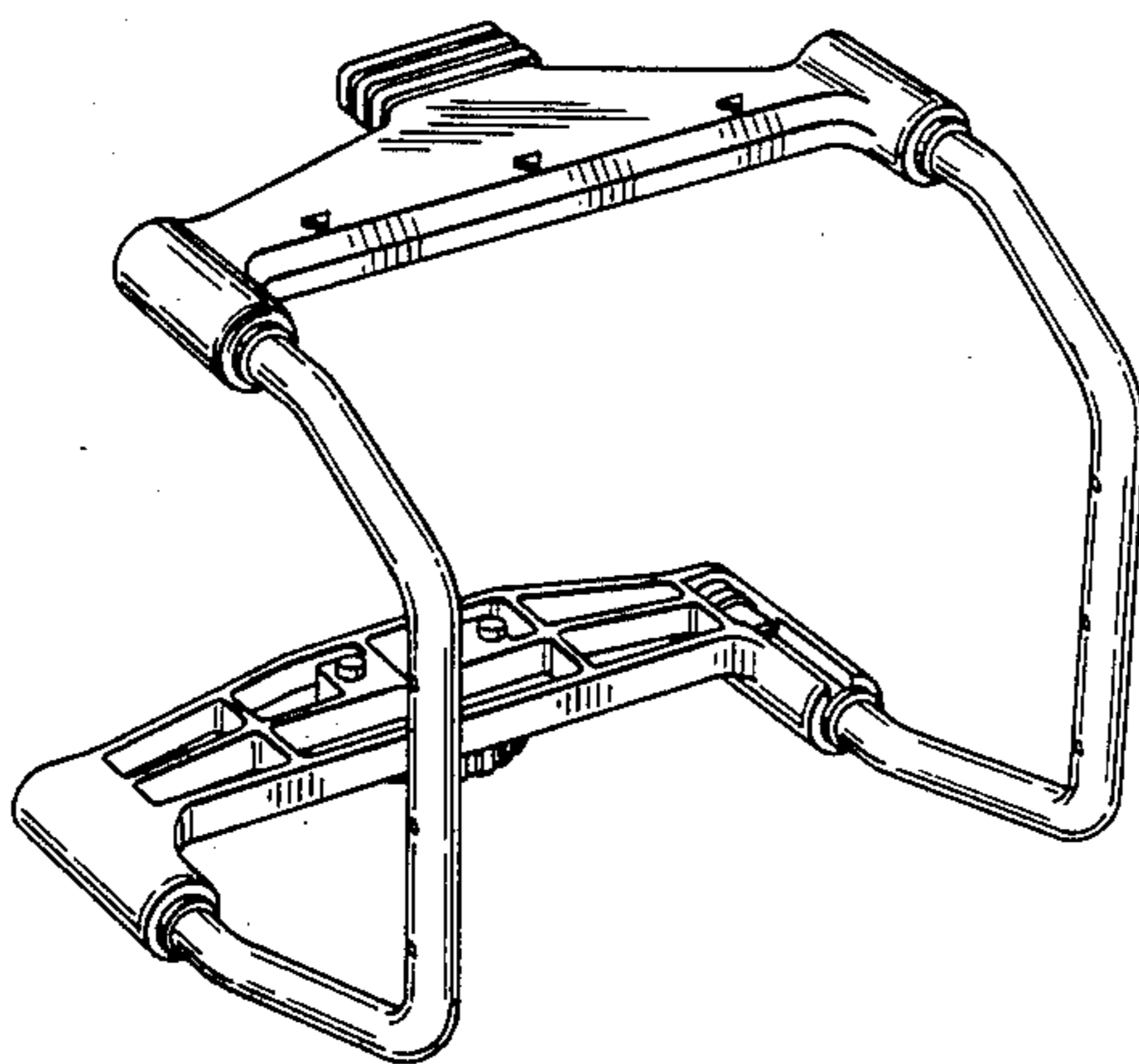


FIG. 8

