

United States Patent [19]

Yoshiyama

[11] Patent Number: **Des. 298,332**

[45] Date of Patent: **** Nov. 1, 1988**

[54] **TONER CARTRIDGE FOR A COPYING MACHINE**

[75] Inventor: **Toshio Yoshiyama, Sakai, Japan**

[73] Assignee: **Mita Industrial Co., Ltd., Osaka, Japan**

[**] Term: **14 Years**

[21] Appl. No.: **838,048**

[22] Filed: **Feb. 28, 1986**

[30] **Foreign Application Priority Data**

Sep. 20, 1985 [JP] Japan 60-39731

[52] U.S. Cl. **D16/32**

[58] Field of Search D16/27-32;
355/3 R, 3 DD-3 DR, 11, 14 R, 14 D;
222/DIG. 1; 206/446, 461, 495, 601, 628, 633;
D9/373, 396, 399, 415, 424, 425, 432

[56] **References Cited**

U.S. PATENT DOCUMENTS

D. 208,377 8/1967 Wagner D16/32

D. 218,805 9/1970 Stone D16/32

D. 236,694 9/1975 Avolio D16/32
D. 240,201 6/1976 Avolio D16/32
D. 252,557 8/1979 Walker D16/32
D. 284,865 7/1986 Gendron D16/32
3,023,925 3/1962 Sher D9/415 X
3,338,410 8/1967 Saith D16/27 X
4,688,926 8/1987 Manno 355/3 DD
4,732,277 3/1988 Smith 206/633

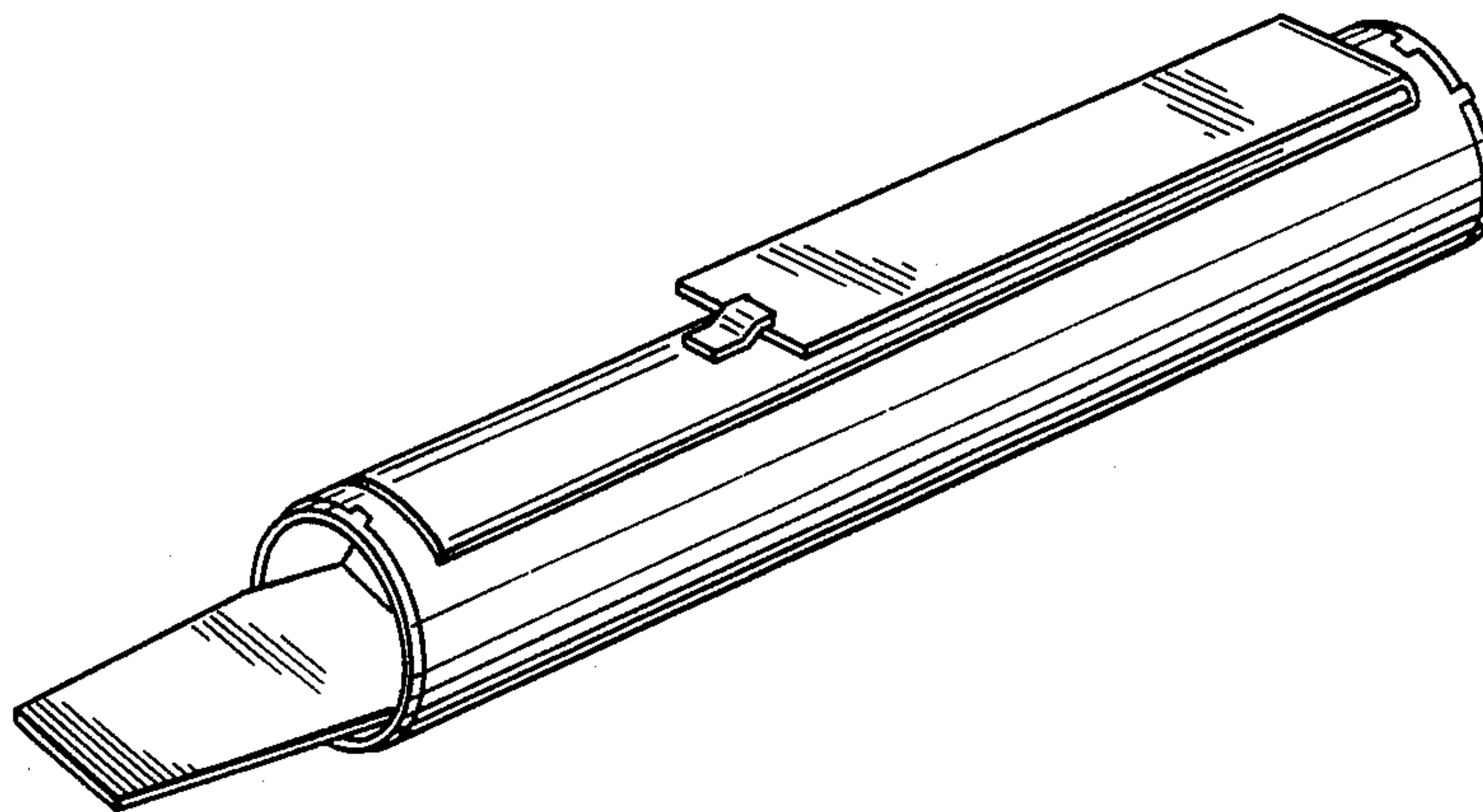
Primary Examiner—Nelson C. Holtje
Attorney, Agent, or Firm—Beveridge, DeGrandi & Weilacher

[57] CLAIM

The ornamental design for a toner cartridge for a copying machine, as shown.

DESCRIPTION

FIG. 1 is a top and right front perspective view of a toner cartridge showing my new design;
FIG. 2 is a front elevational view thereof;
FIG. 3 is a rear elevational view thereof;
FIG. 4 is a right side elevational view thereof;
FIG. 5 is a top plan view thereof;
FIG. 6 is a left side elevational view thereof;
FIG. 7 is a bottom plan view thereof.



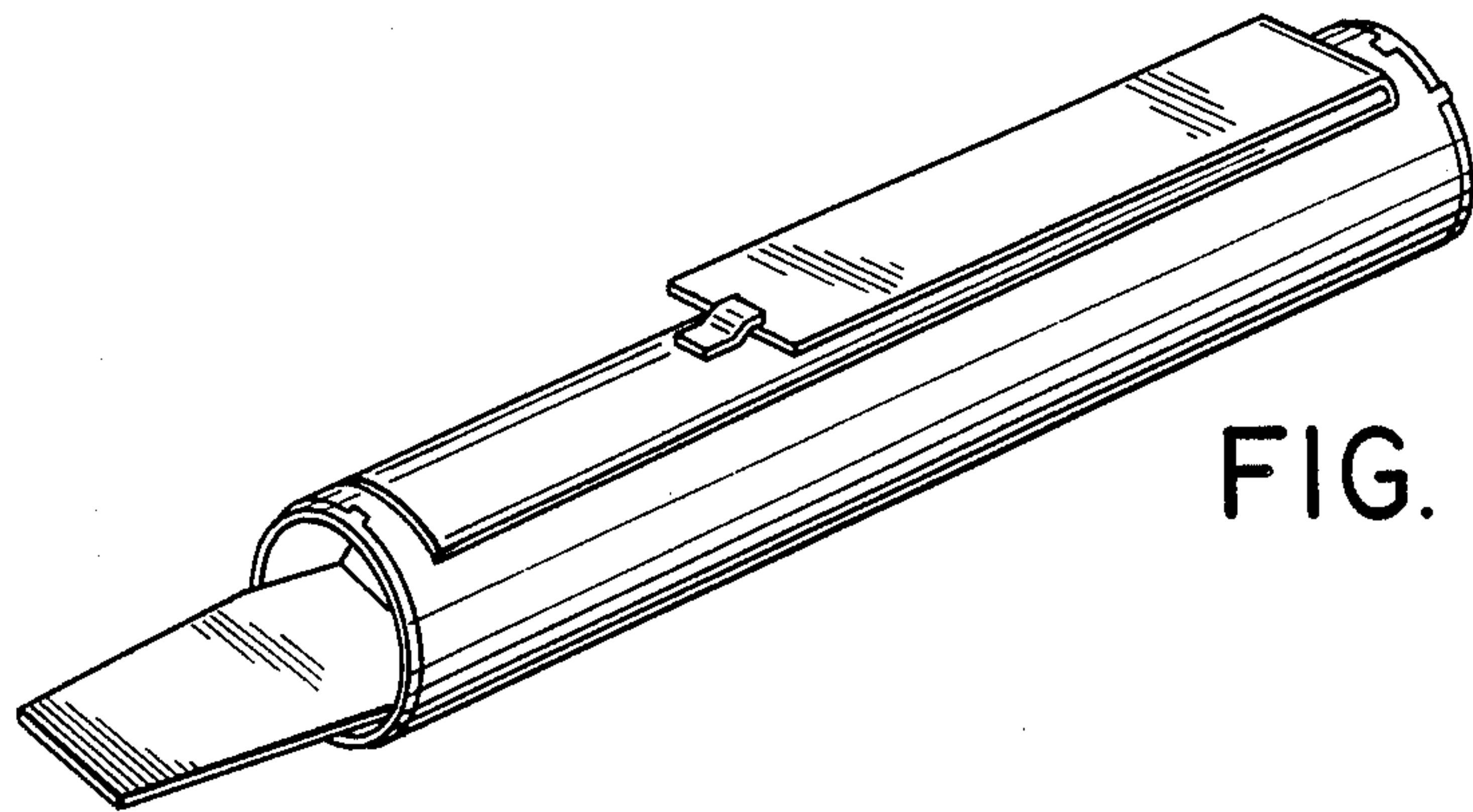


FIG. 1

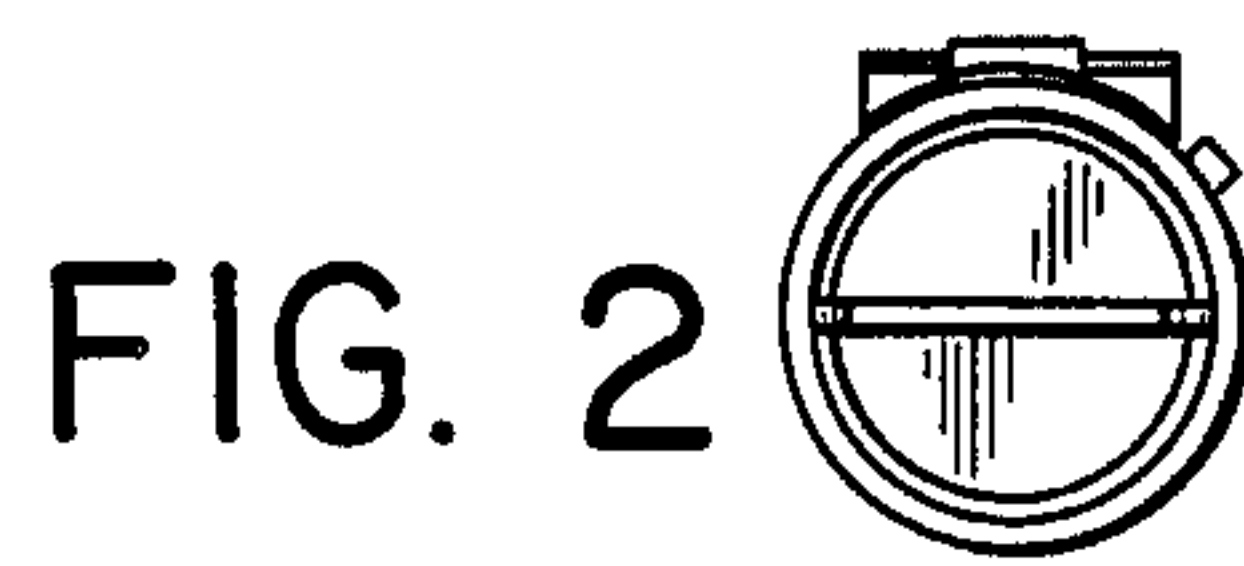


FIG. 2

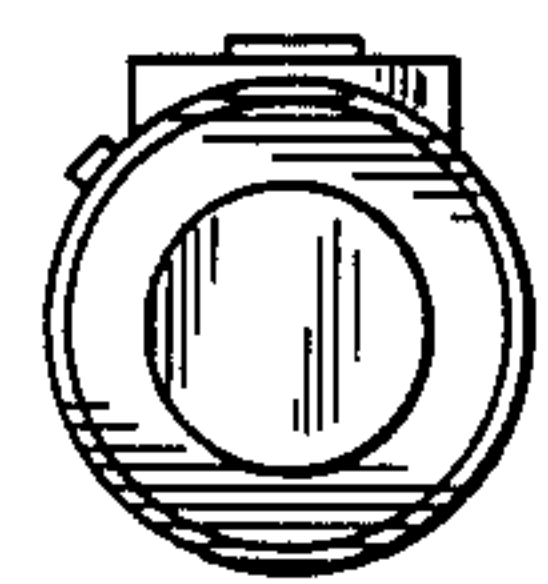


FIG. 3

FIG. 4

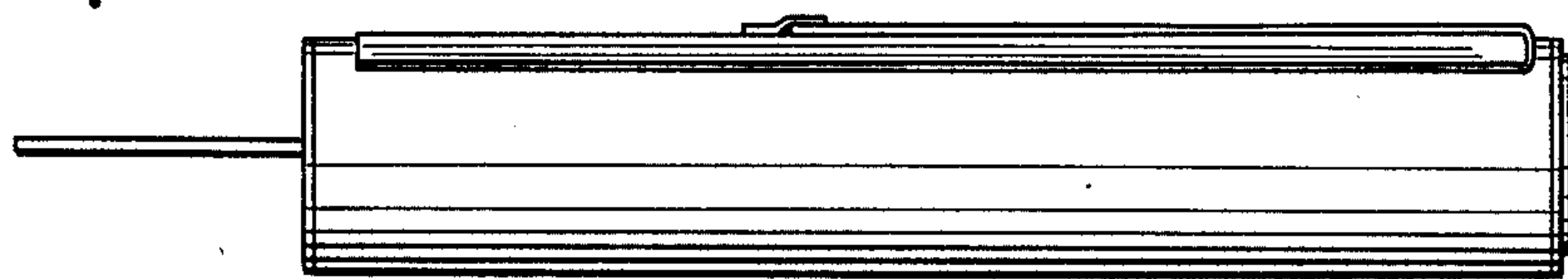


FIG. 5

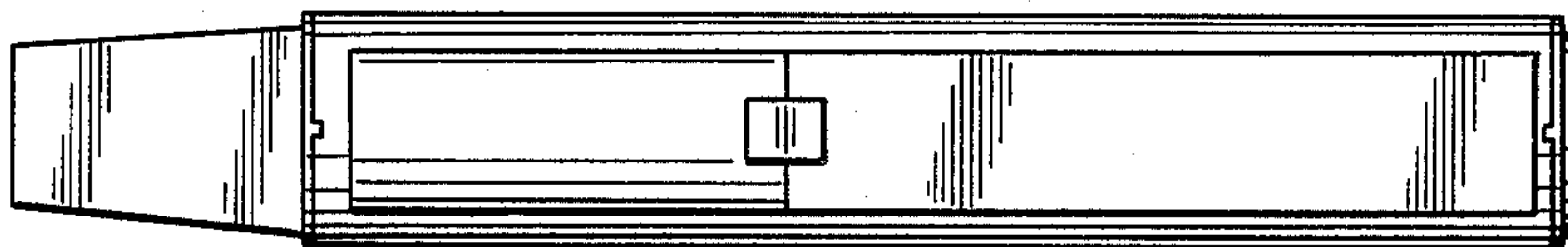


FIG. 6

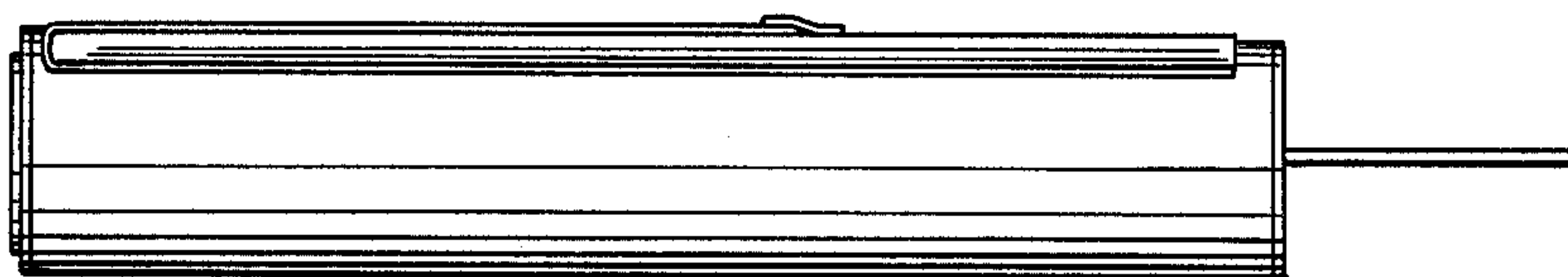


FIG. 7

