

United States Patent [19]

Kato et al.

[11] Patent Number: **Des. 298,330**

[45] Date of Patent: **** Nov. 1, 1988**

[54] SEWING MACHINE

[75] Inventors: **Shigemasa Kato; Sanae Takada**, both of Chofu, Japan

[73] Assignee: **Tokyo Juki Industrial Co., Ltd.**, Tokyo, Japan

[**] Term: **14 Years**

[21] Appl. No.: **834,490**

[22] Filed: **Feb. 24, 1986**

[30] Foreign Application Priority Data

Sep. 5, 1985 [JP] Japan 60-37555

[52] U.S. Cl. **D15/69**

[58] Field of Search D15/66-77;
112/258-261

[56] References Cited

U.S. PATENT DOCUMENTS

D. 202,588 10/1965 Fritts D15/76

D. 214,853 8/1969 Rosenfeld D15/76
D. 221,259 7/1971 Yamamoto D15/69
D. 250,116 10/1978 La Police D15/69

Primary Examiner—Melvin B. Feifer
Attorney, Agent, or Firm—Abelman Frayne Rezac & Schwab

[57] CLAIM

The ornamental design for a sewing machine, as shown.

DESCRIPTION

FIG. 1 is a front elevation of the sewing machine showing our new design;
FIG. 2 is a plan view thereof;
FIG. 3 is an underside plan view thereof;
FIG. 4 is a rear elevation thereof;
FIG. 5 is an end elevation thereof taken from the left-hand side of FIG. 1;
FIG. 6 is an end elevation thereof taken from the right-hand side of FIG. 1; and,
FIG. 7 is a perspective elevation thereof.

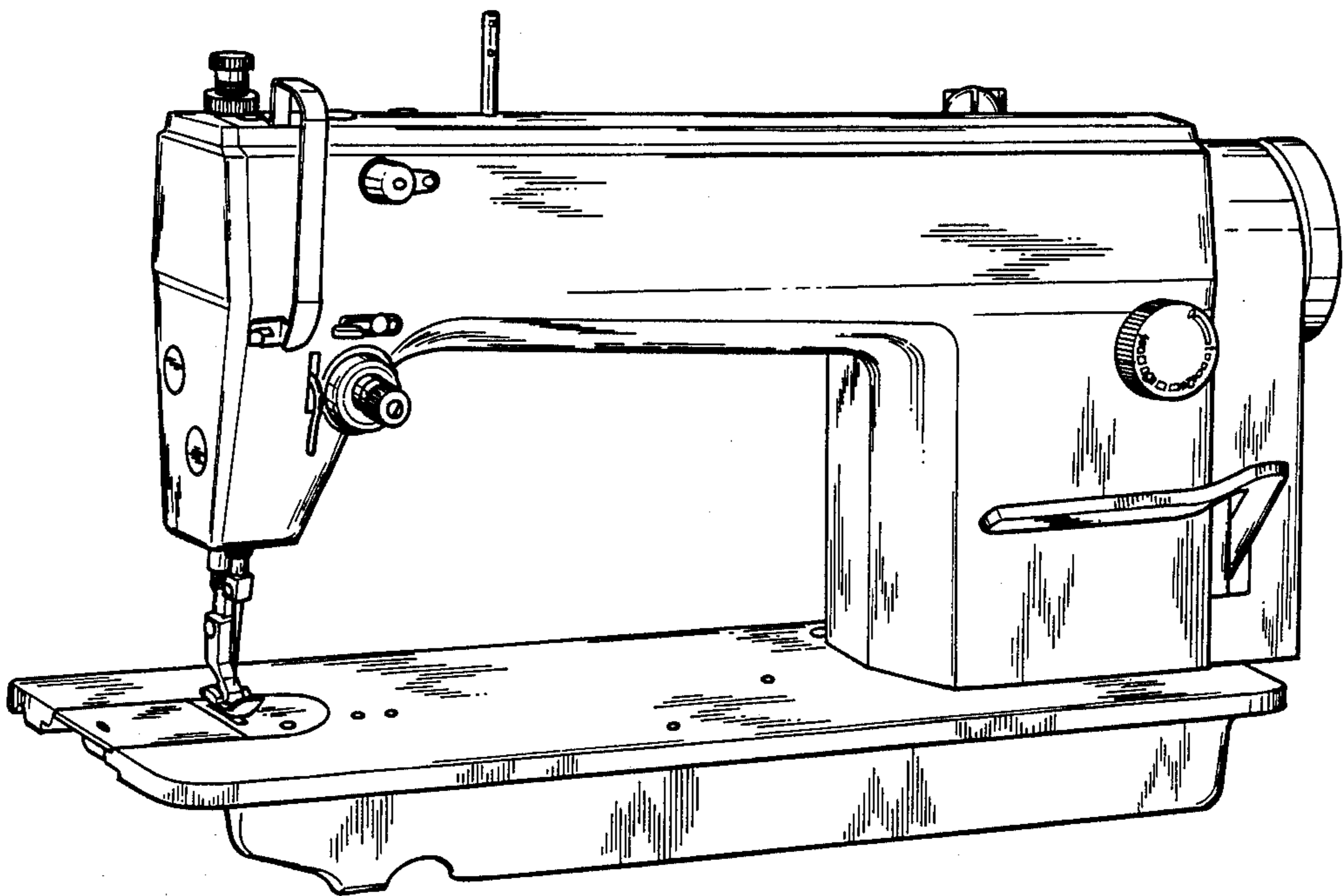


FIG. 1

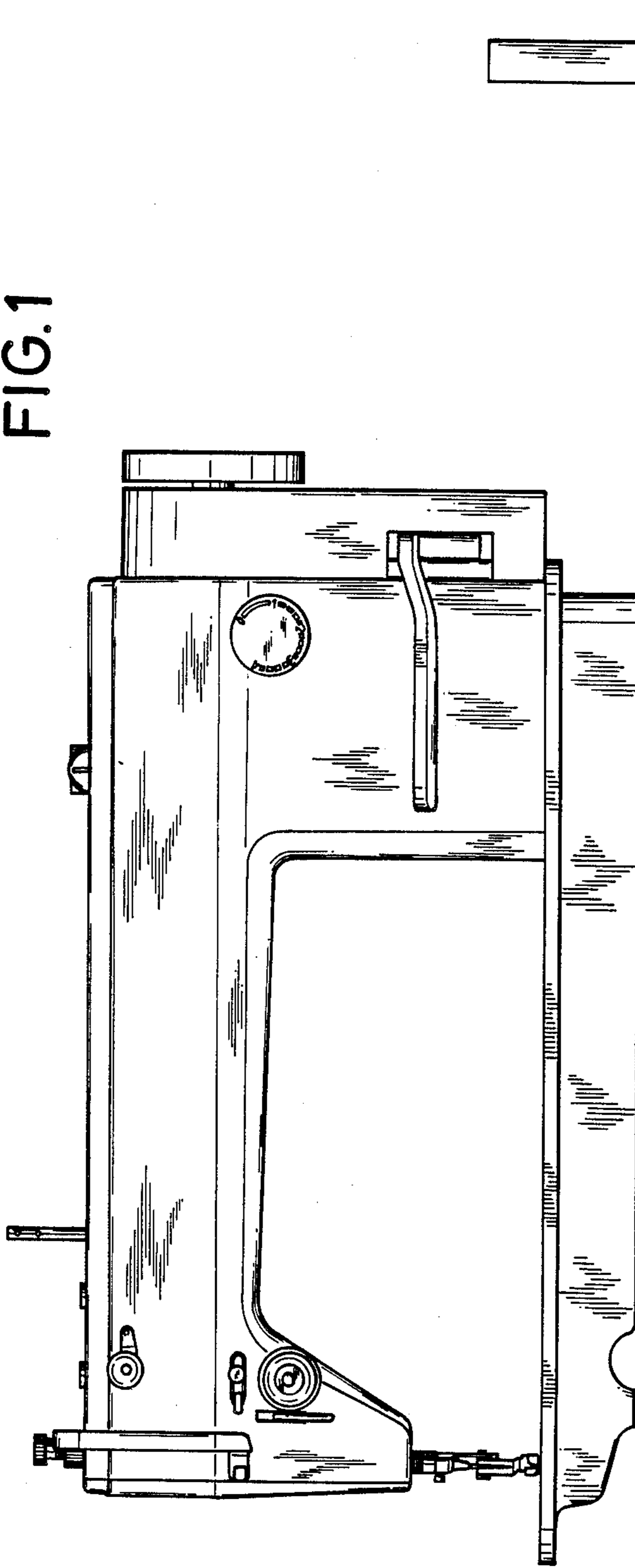
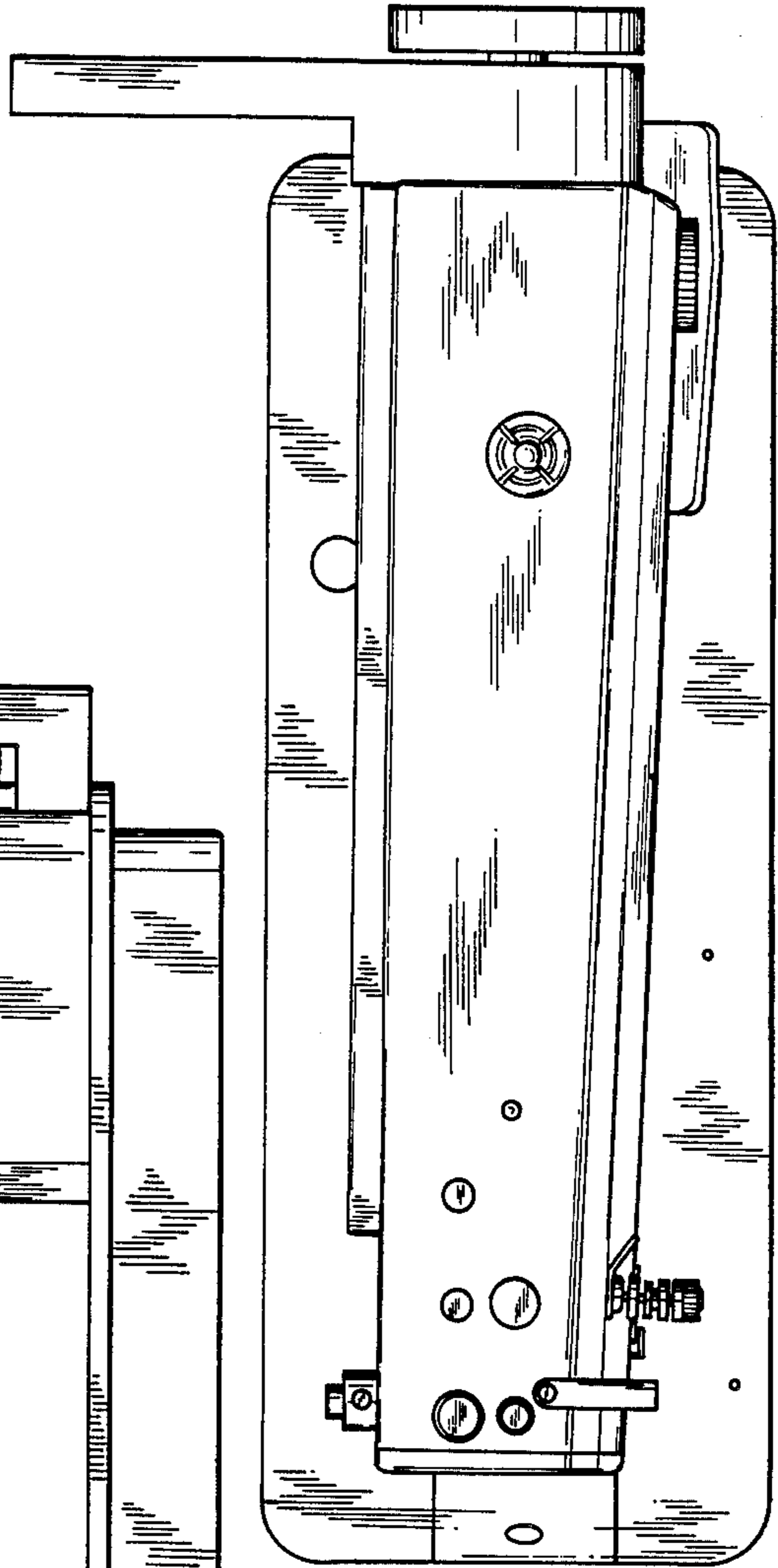


FIG. 2



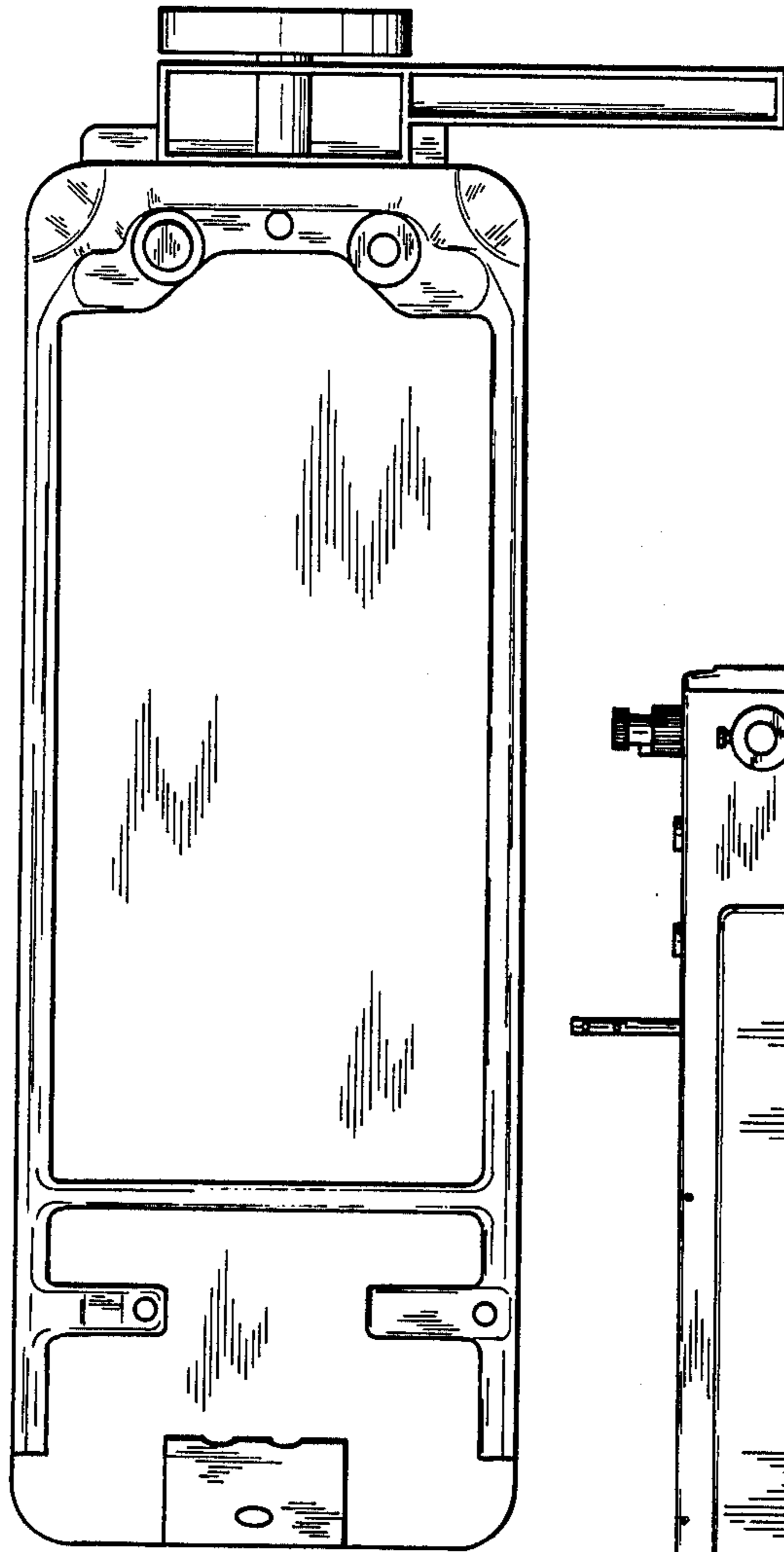


FIG. 3

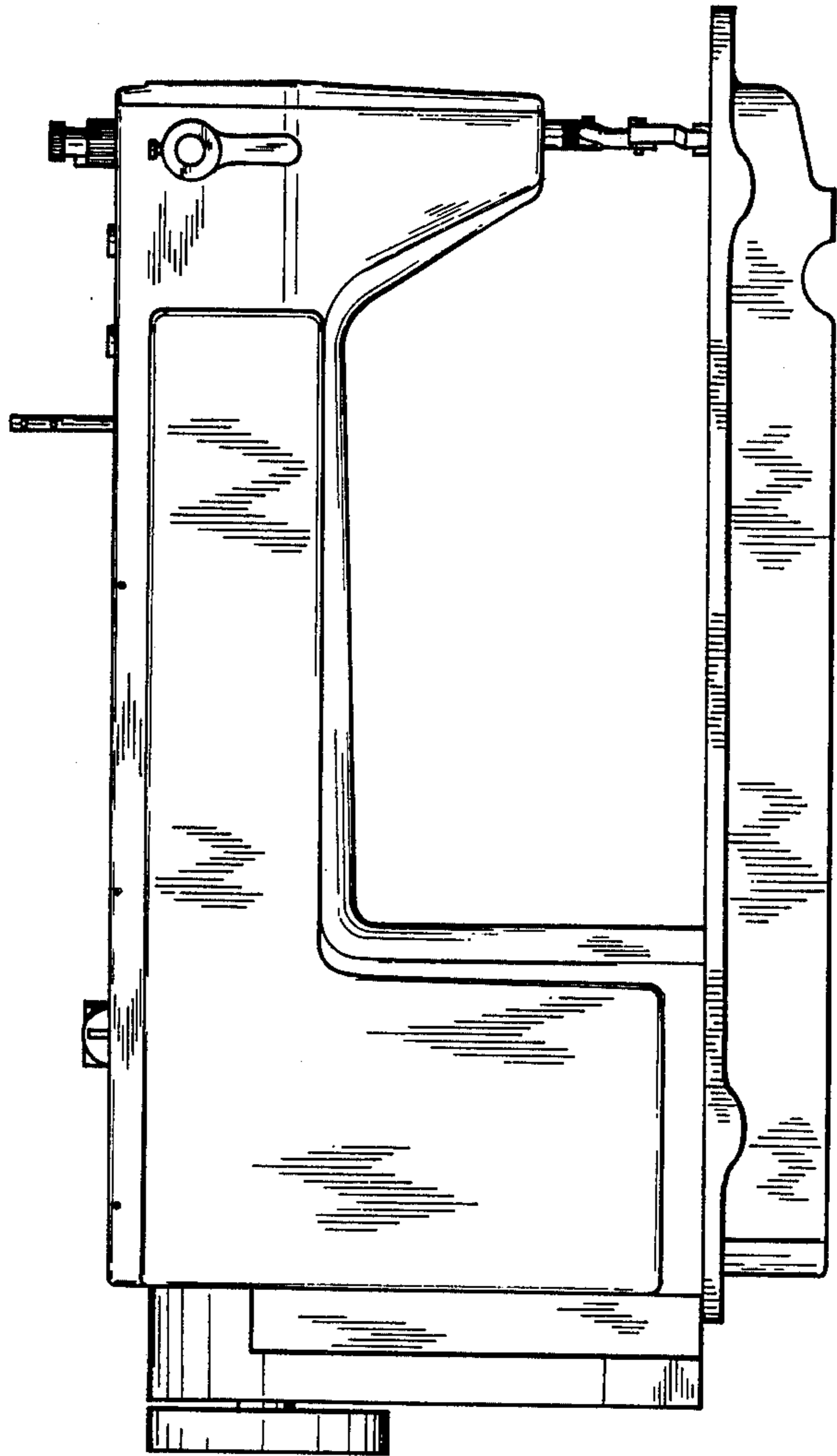


FIG. 4

FIG. 6

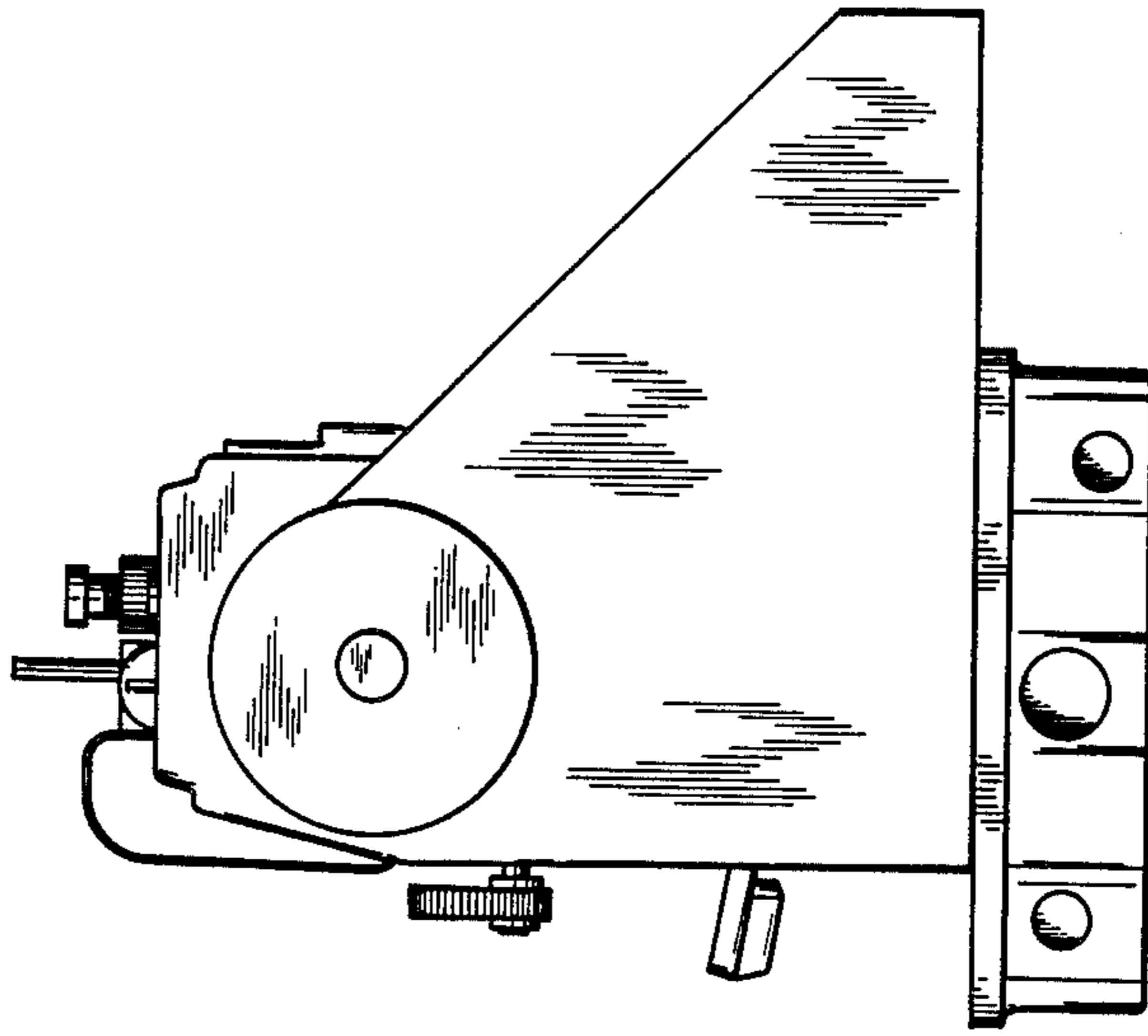


FIG. 5

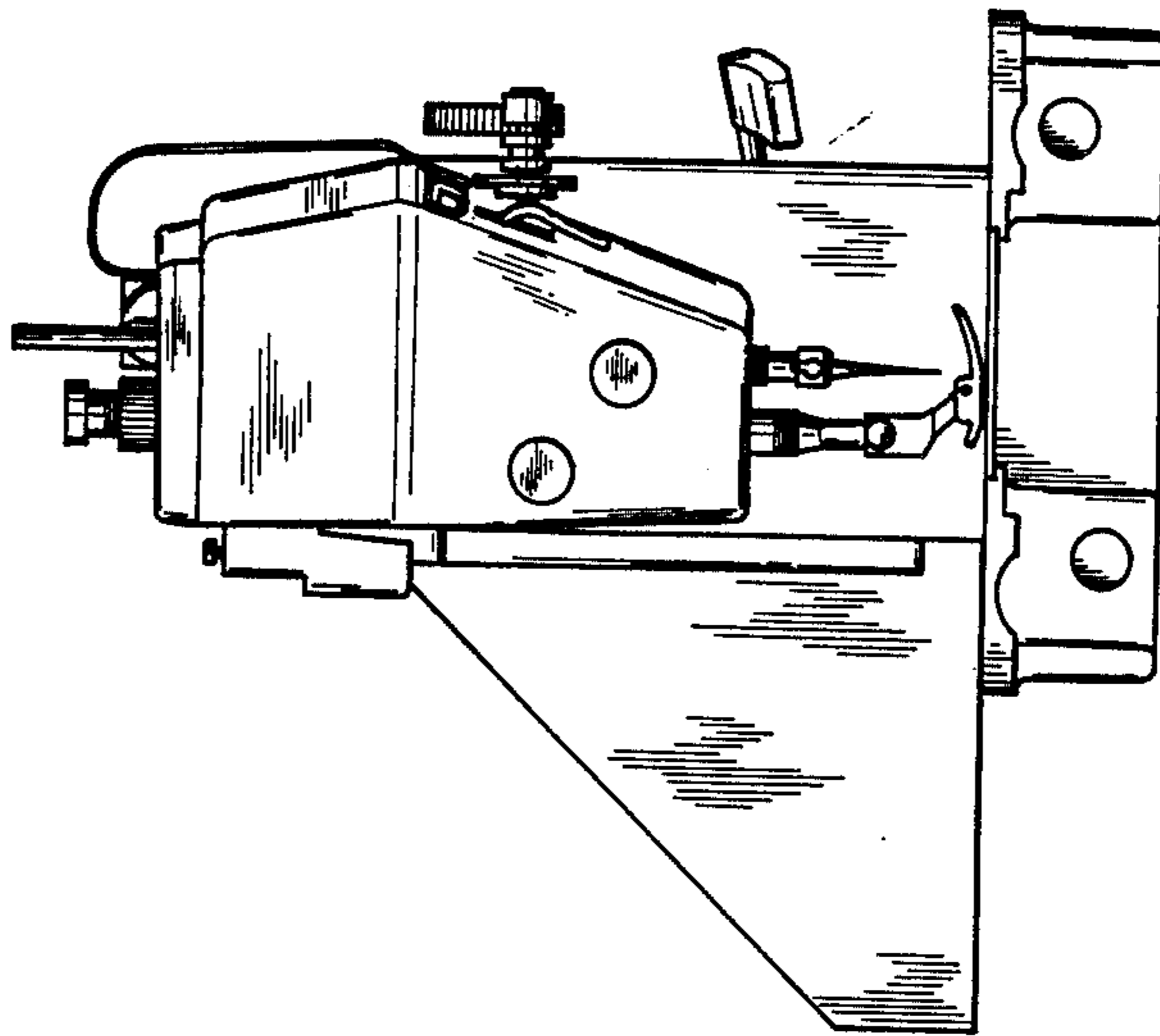


FIG. 7

