

[54] PORTABLE ORCHARD SPRAYER

[76] Inventors: Charles E. Keough; Jewel Keough, both of Rte. 4, Box 300, Coldwater, Miss. 38618

[**] Term: 14 Years

[21] Appl. No.: 878,496

[22] Filed: Jun. 25, 1986

[52] U.S. Cl. D15/13

[58] Field of Search D15/7, 10, 13, 32; D23/200, 213, 225; 239/77, 127, 304

[56] References Cited

U.S. PATENT DOCUMENTS

- 2,714,527 8/1955 Thompson 239/77
- 3,067,541 12/1962 Smith 239/77

- 3,726,441 4/1973 Keyes et al. 239/77
- 4,516,723 5/1985 Hesse 239/77

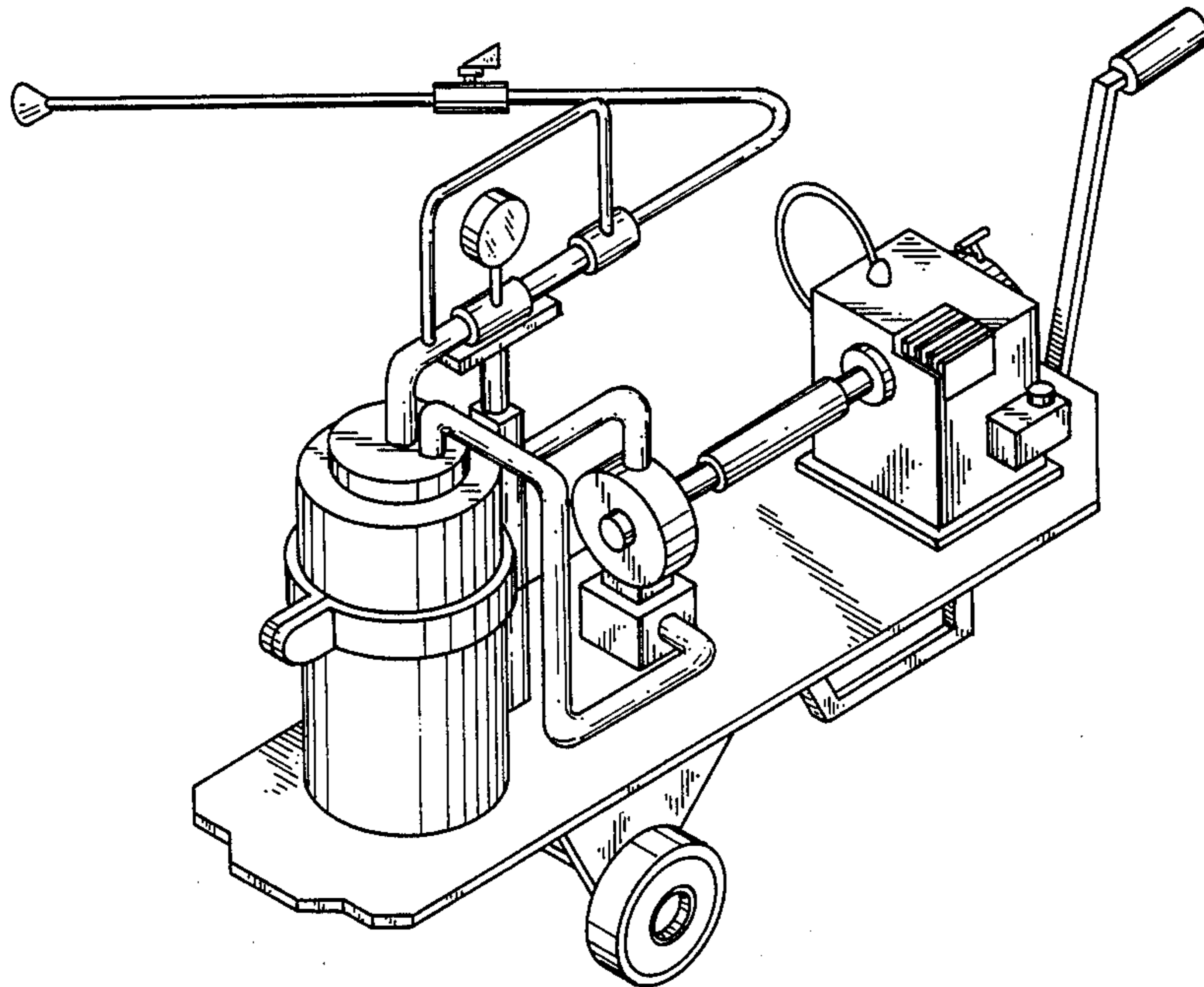
Primary Examiner—Wallace R. Burke
Assistant Examiner—Ruth Takemoto
Attorney, Agent, or Firm—Terry M. Gernstein

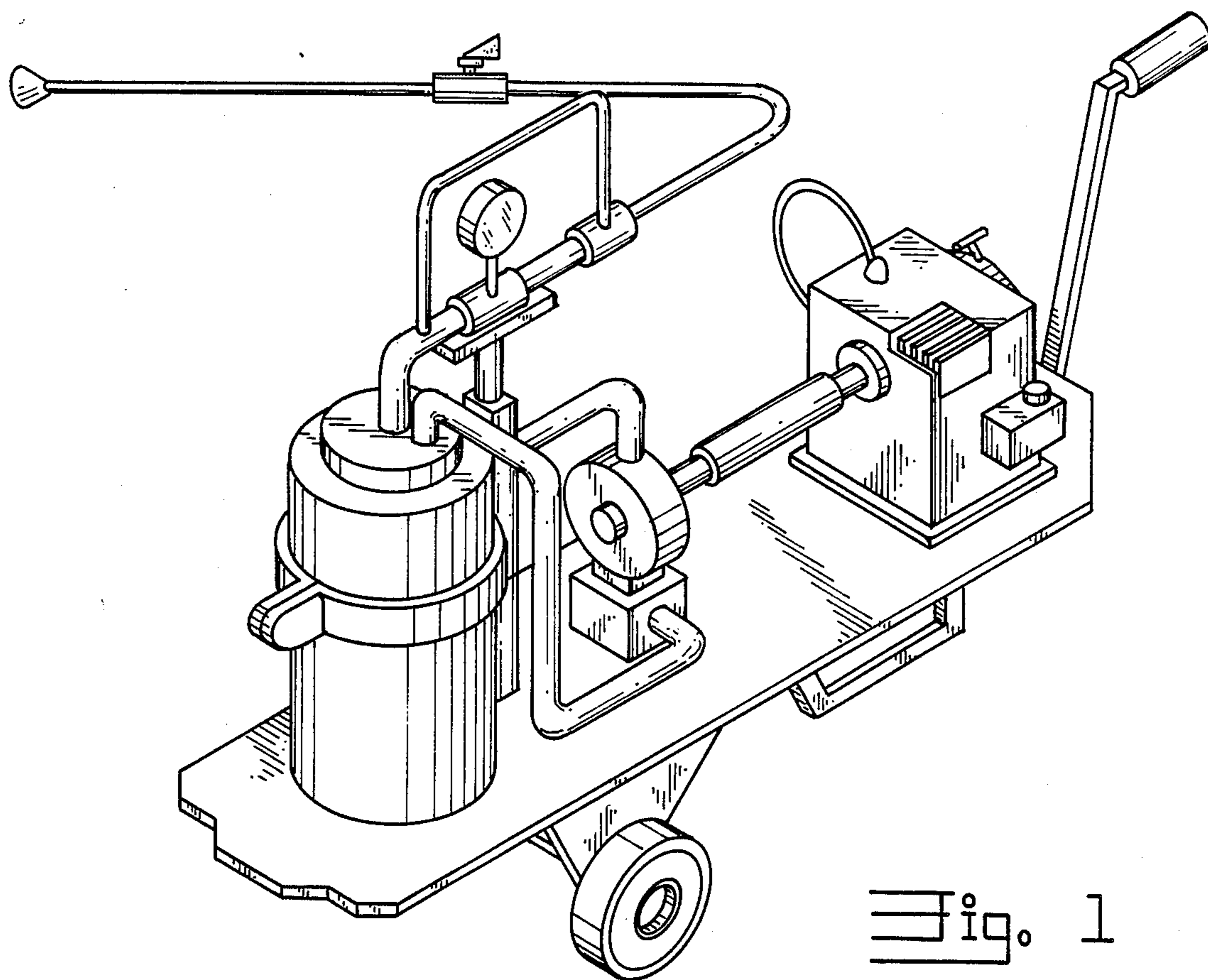
[57] CLAIM

The ornamental design for a portable orchard sprayer, as shown and described.

DESCRIPTION

FIG. 1 is a top, front and side perspective view of a portable orchard sprayer showing my new design; FIG. 2 is a side elevational view thereof, the opposite side being a mirror image; FIG. 3 is a front elevational view thereof; and FIG. 4 is a rear elevational view thereof; and FIG. 5 is a top plan view thereof.





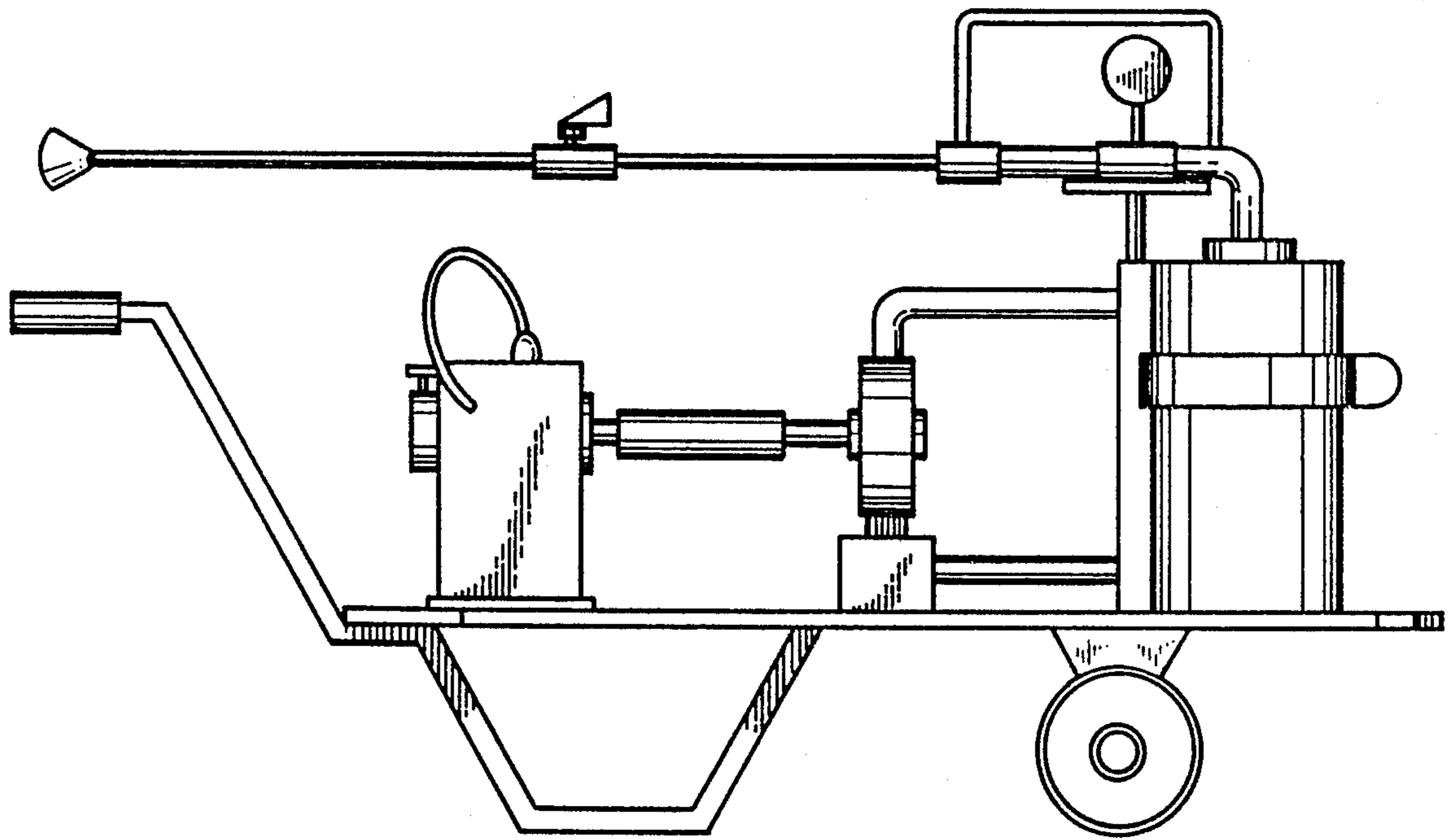


Fig. 2

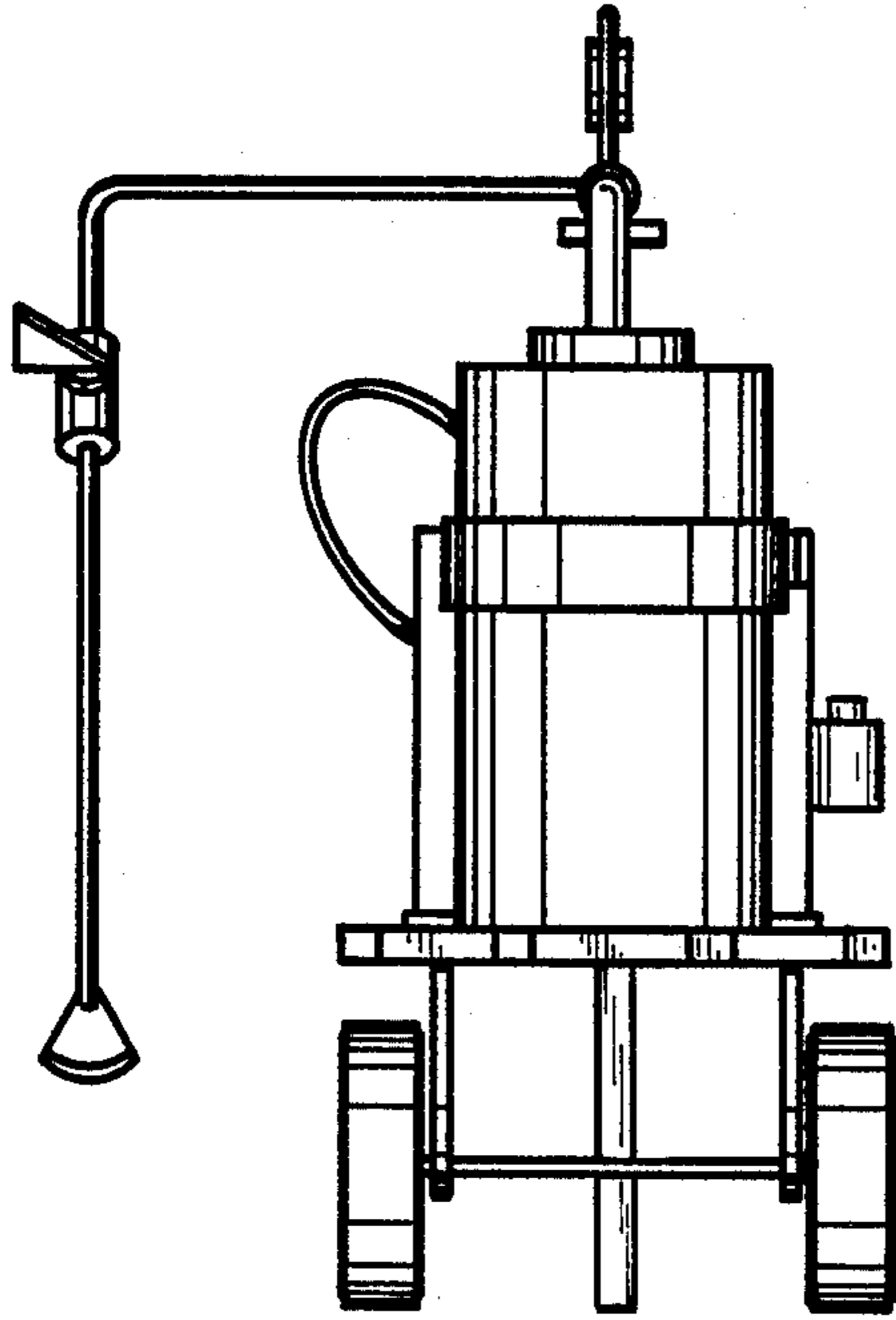


Fig. 3

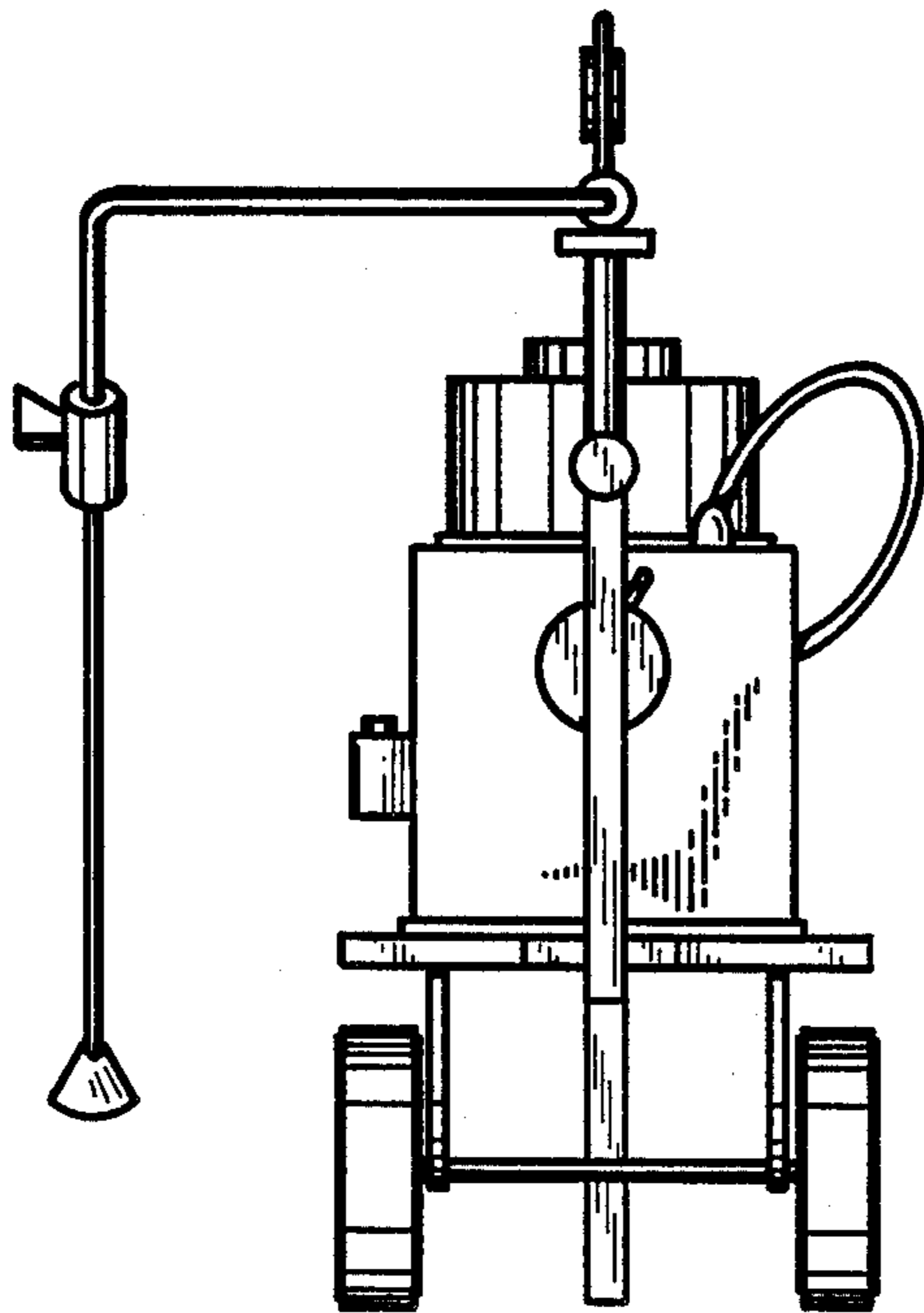


Fig. 4

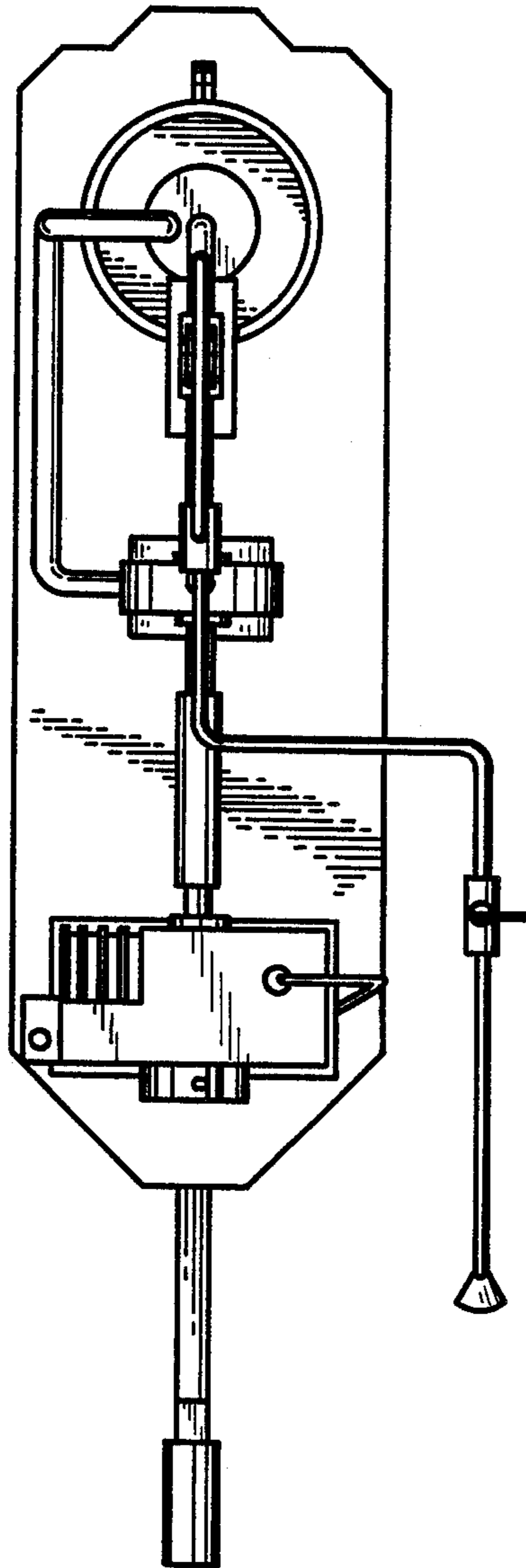


Fig. 5