

[54] BRAKE AND DERAILLEUR ACTUATING UNIT

4,319,673 3/1982 Kojima ..... 74/489  
4,619,154 10/1986 Yamanaka ..... 74/489

[75] Inventor: Maurice E. L. Coue, Feucherolles, France

[73] Assignee: Huret et ses Fils, Feuquieres en Vimeu, France

[\*\*] Term: 14 Years

[21] Appl. No.: 749,873

[22] Filed: Jun. 27, 1985

[30] Foreign Application Priority Data

Dec. 27, 1984 [FR] France ..... 84 5832

[52] U.S. Cl. .... D12/179; D8/303

[58] Field of Search ..... D12/179; D8/303;  
74/489, 488, 524, 525

[56] References Cited

U.S. PATENT DOCUMENTS

D. 286,034 10/1986 Giorgetti ..... D12/179

OTHER PUBLICATIONS

J. C. Whitney Motorcycle Parts & Accessories catalog, No. 5, ©1974, p. 7, unbreakable control lever, top left side of page.

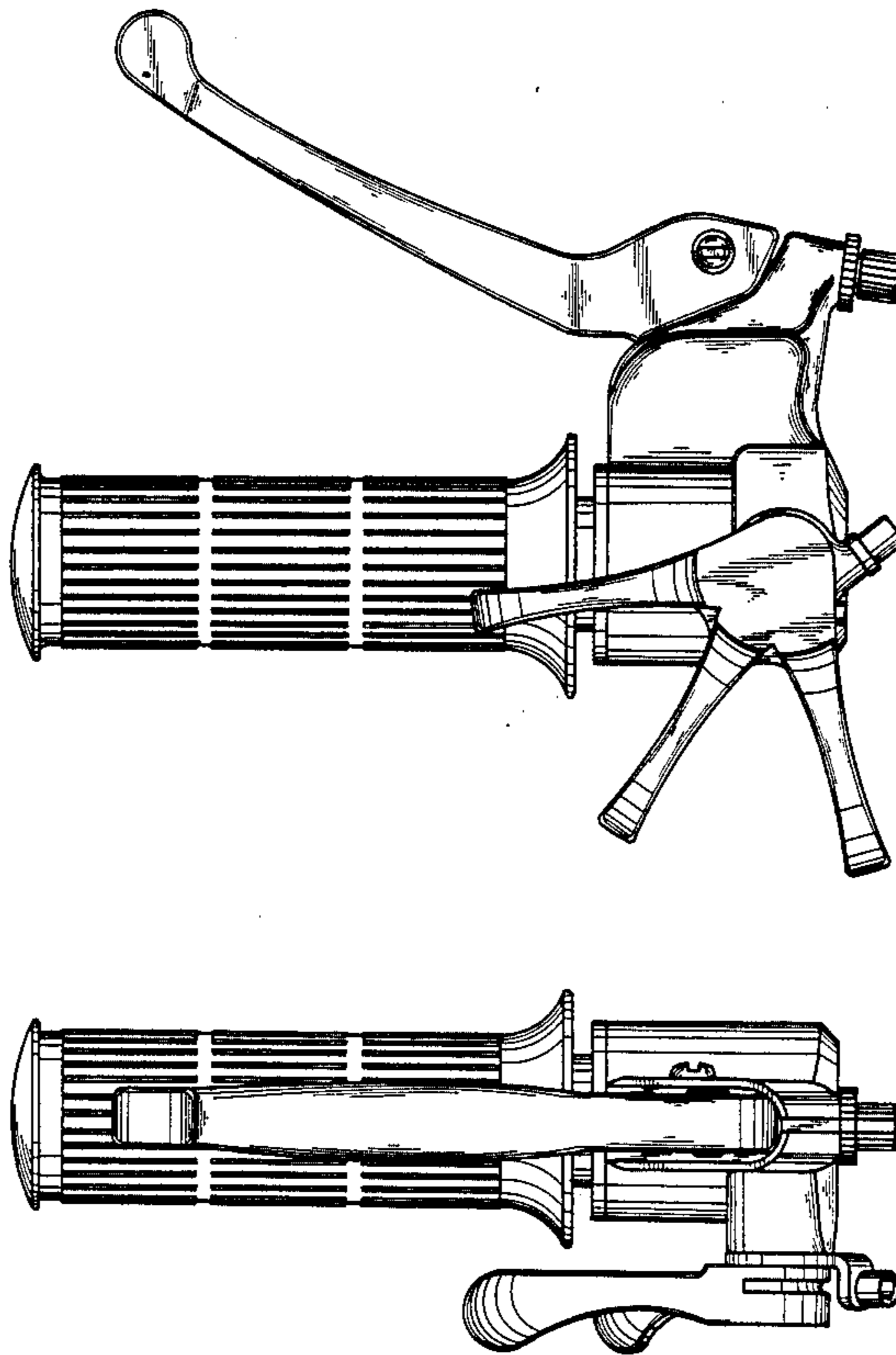
Primary Examiner—James M. Gandy  
Attorney, Agent, or Firm—Kuhn and Muller

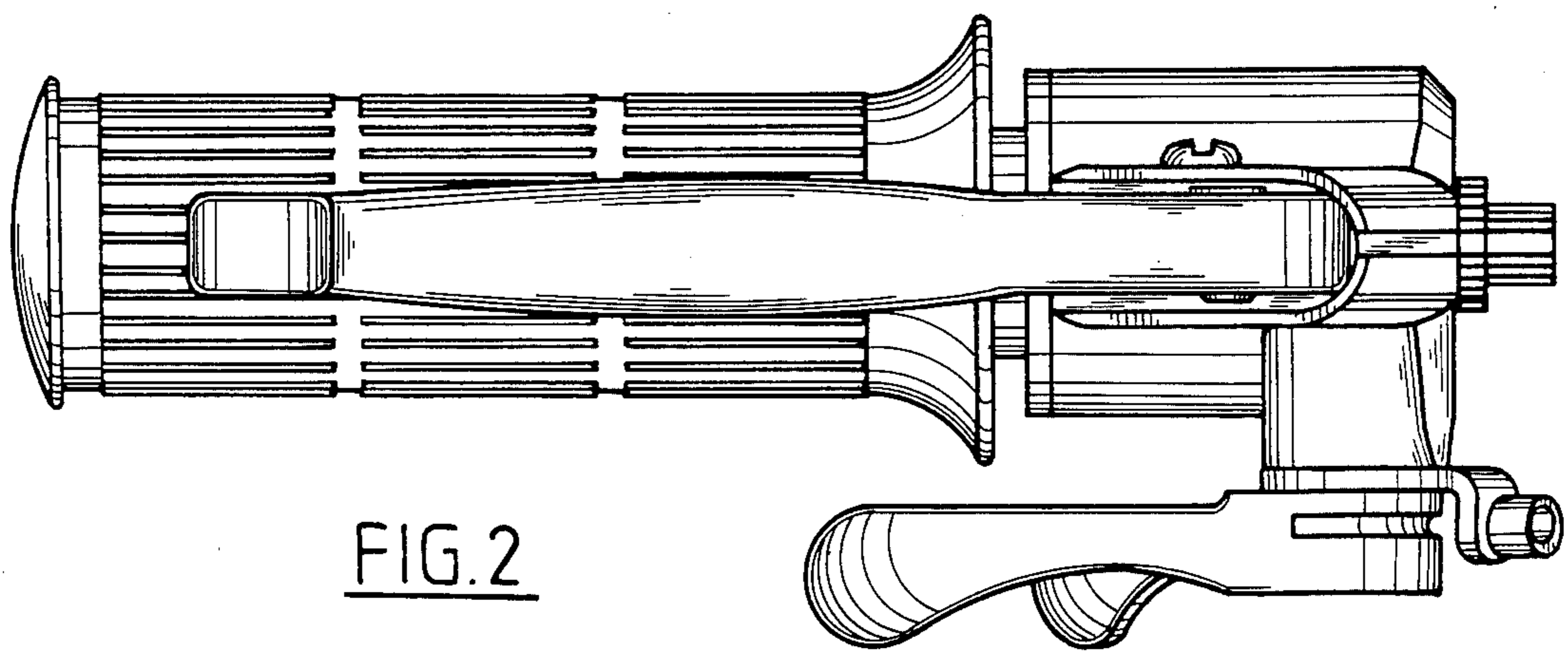
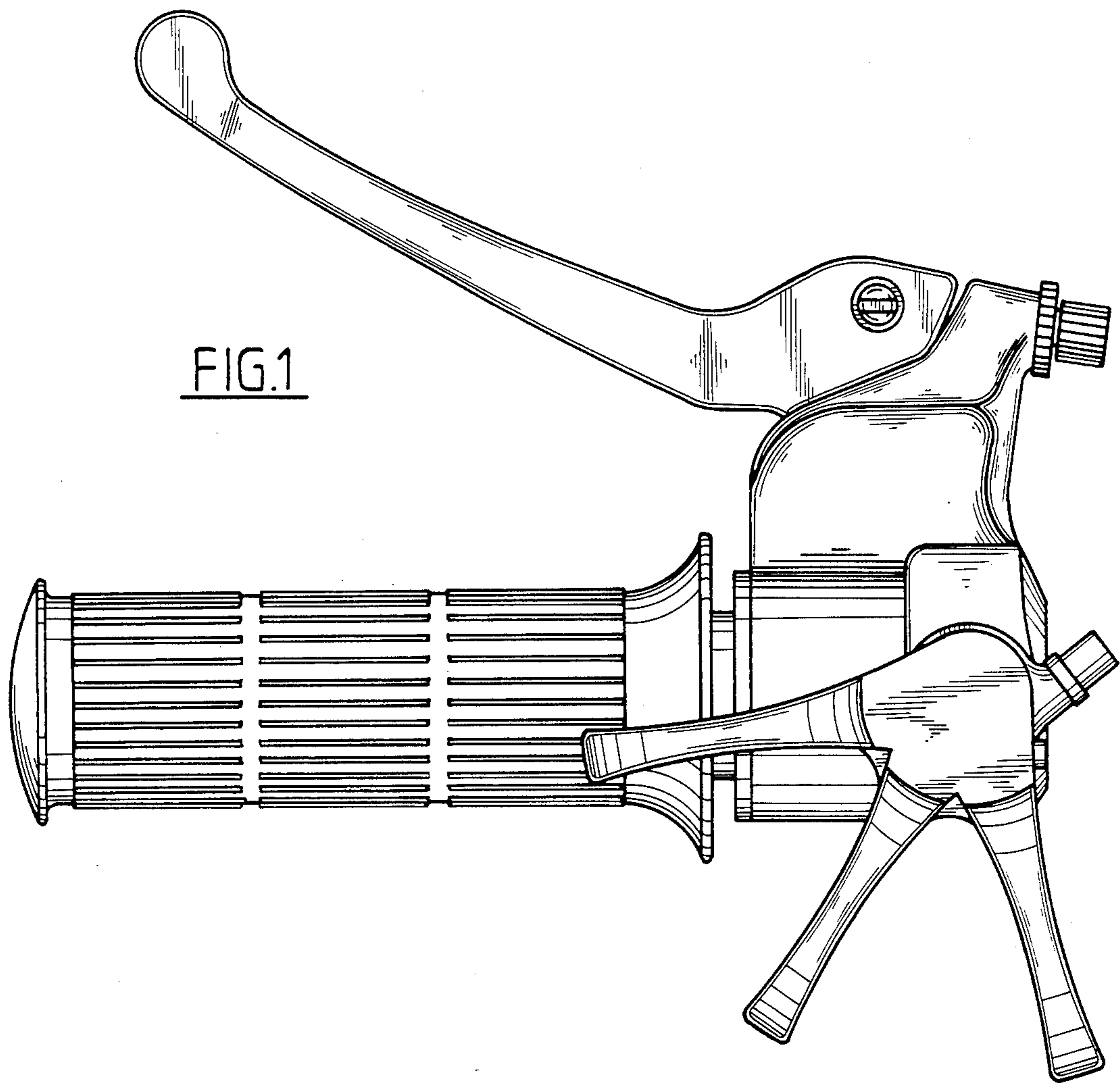
[57] CLAIM

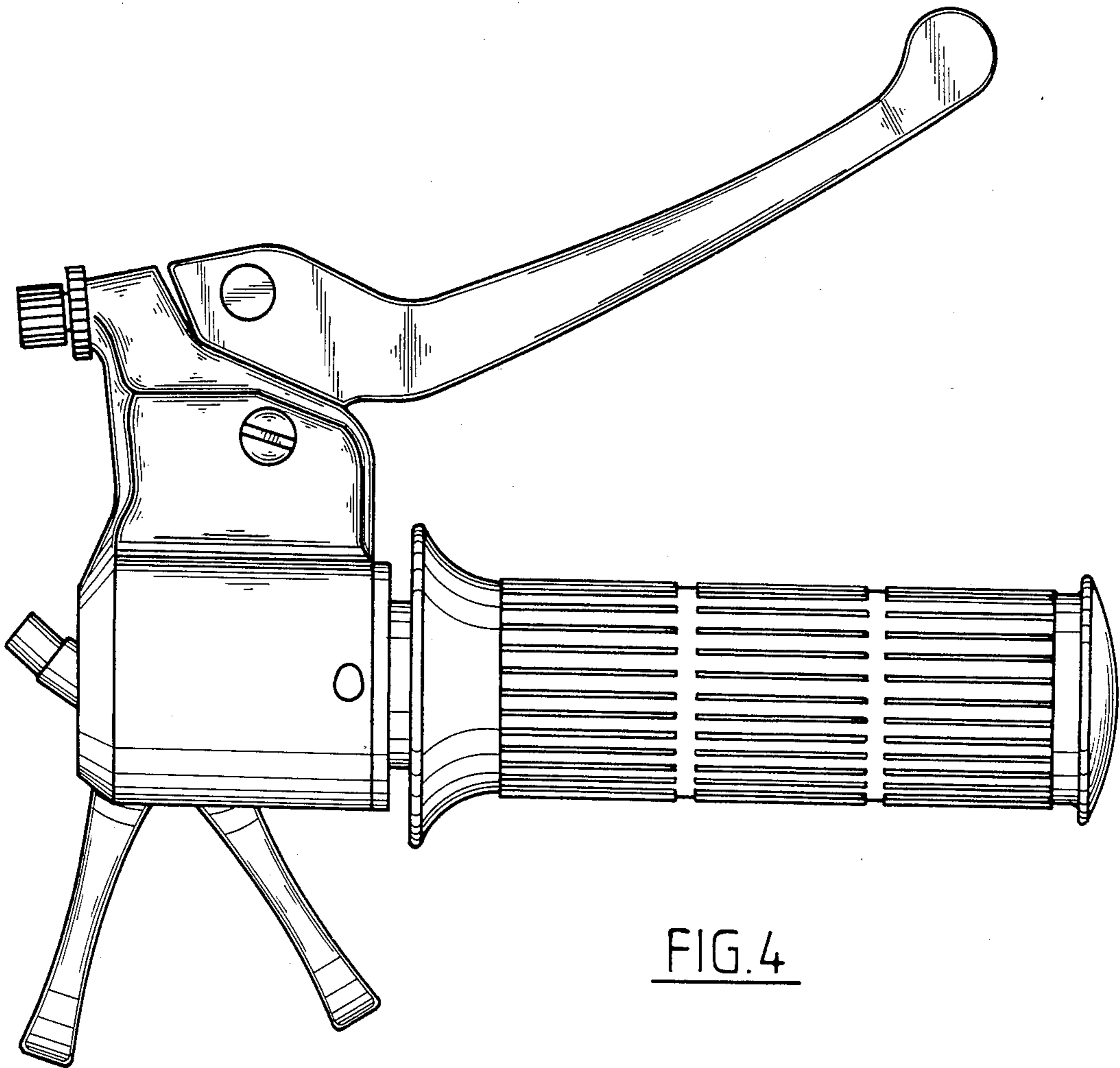
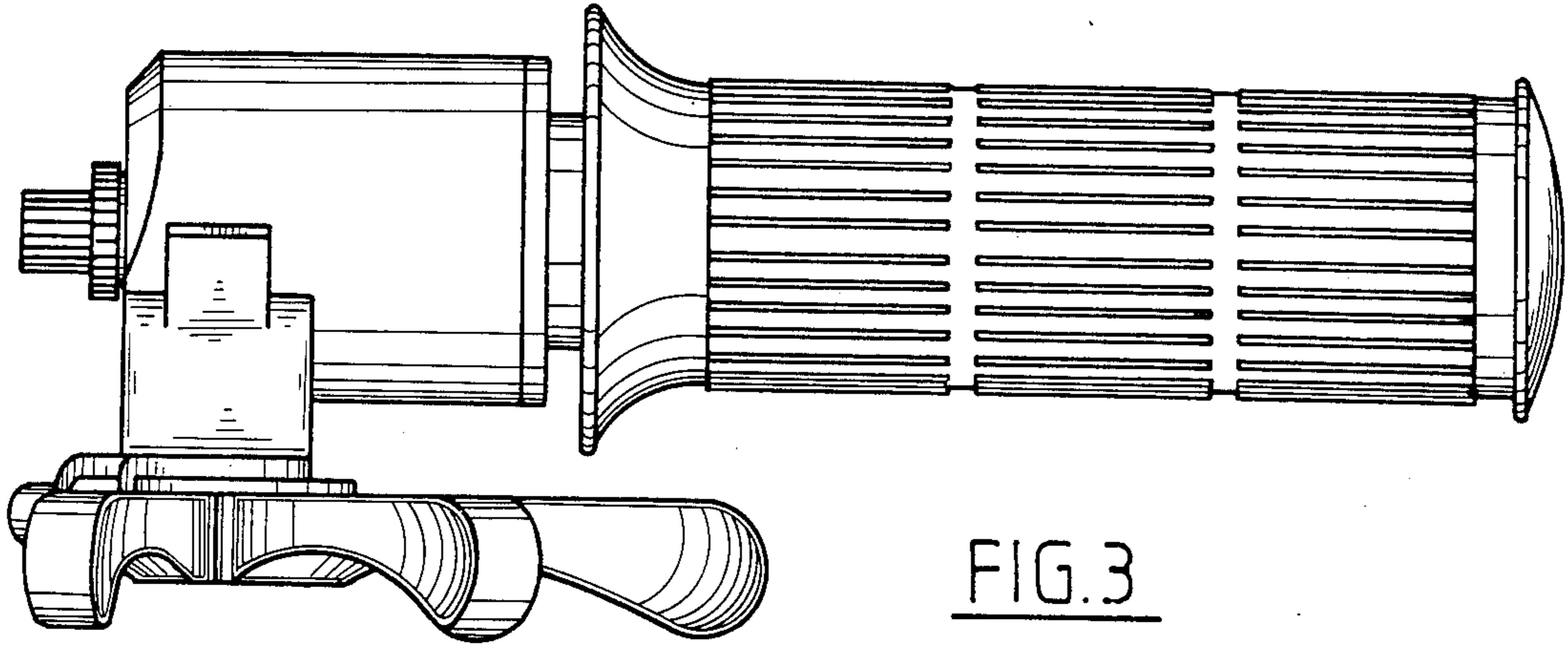
The ornamental design for a brake and derailleur actuating unit, as shown.

DESCRIPTION

FIG. 1 is a front elevation view of a brake and derailleur actuating unit showing my new design; FIG. 2 is a top plan view thereof; FIG. 3 is a bottom plan view thereof; FIG. 4 is a rear elevation view thereof; FIG. 5 is a right side elevation view thereof; and FIG. 6 is a left side elevation view thereof.







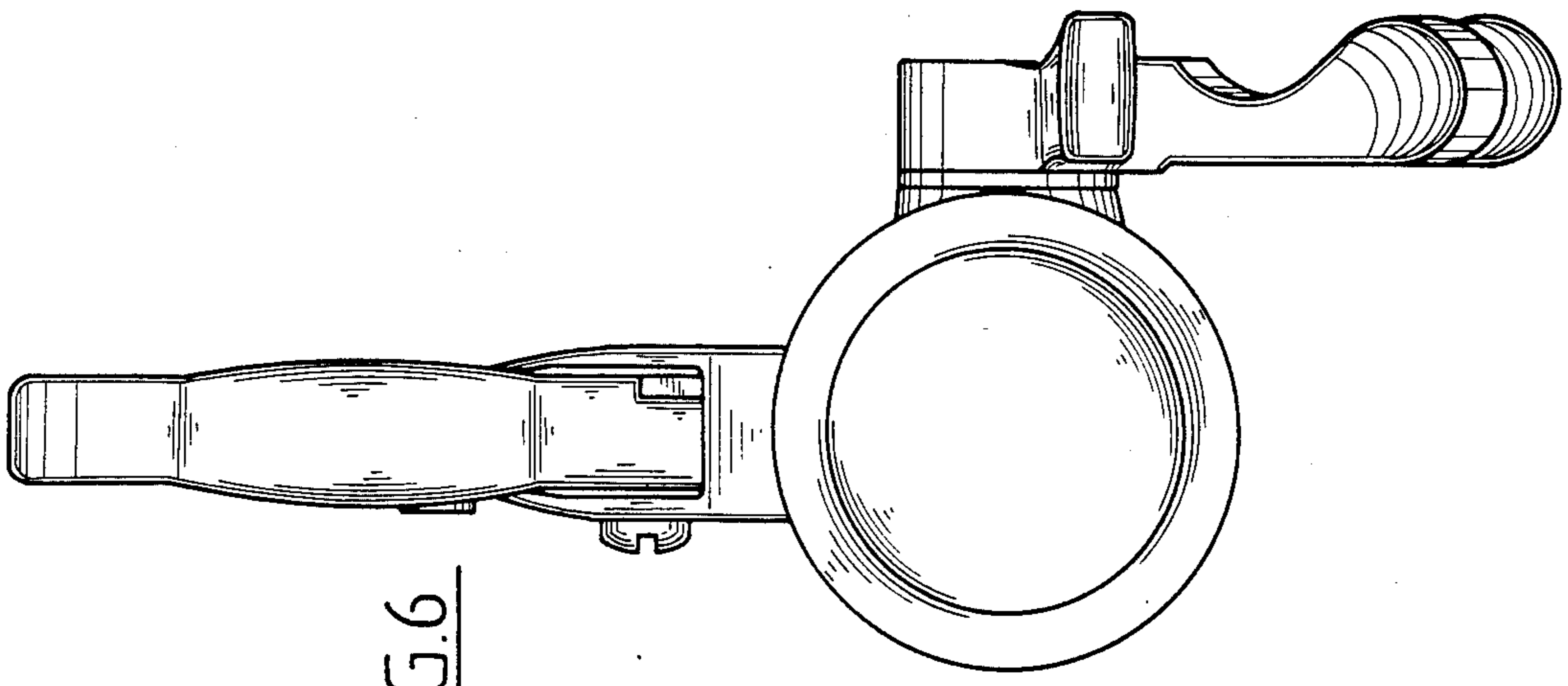


FIG. 6

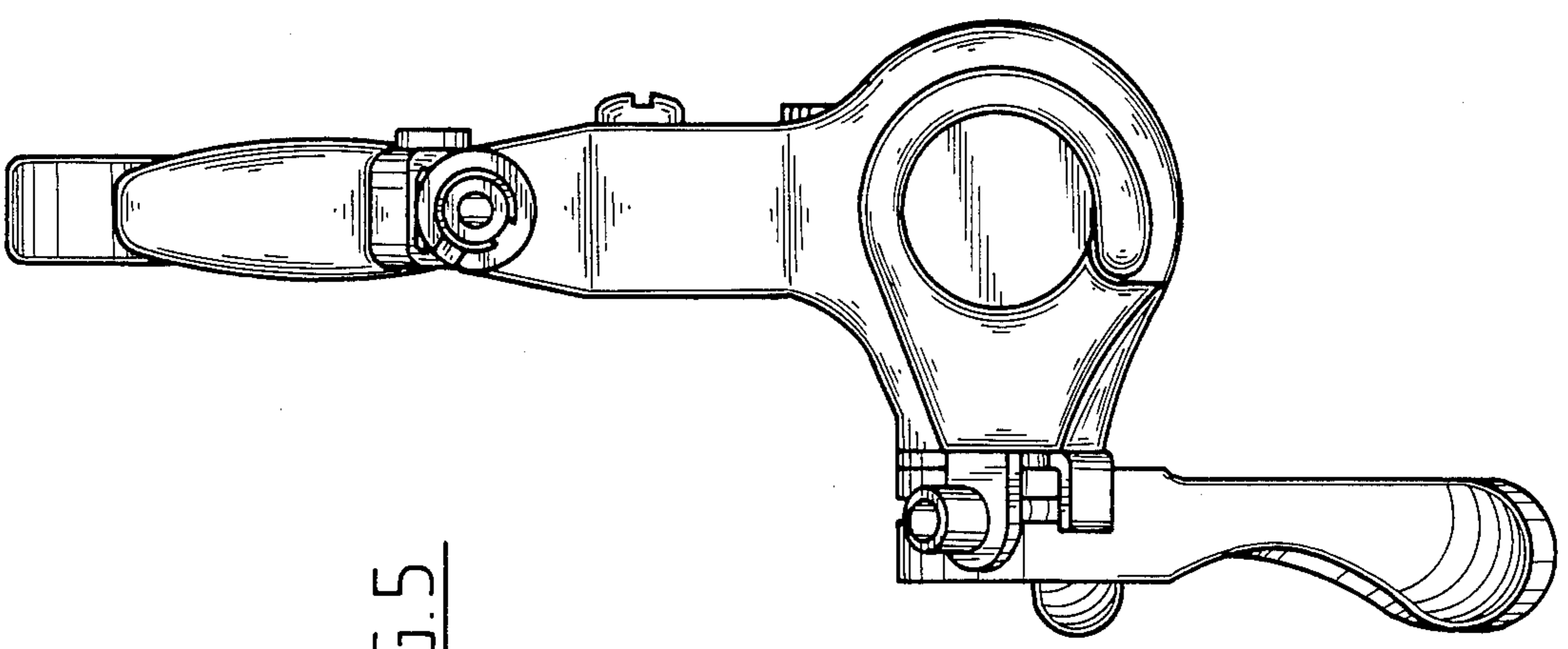


FIG. 5