

[54] **VEHICLE TOOL BOX**

[75] **Inventor: LeRoy VanKirk, White Pigeon, Mich.**

[73] **Assignee: LRV Corporation, Elkhart, Ind.**

[**] **Term: 14 Years**

[21] **Appl. No.: 820,119**

[22] **Filed: Jan. 21, 1986**

[52] **U.S. Cl. D12/157; D3/40**

[58] **Field of Search D12/157; D3/40; 296/37.6; 224/42.11, 42.42**

[56] **References Cited**

U.S. PATENT DOCUMENTS

- D. 257,340 10/1980 Grossman D12/157
- D. 271,009 10/1983 Fishler D12/157
- D. 285,673 9/1986 Waters D12/157

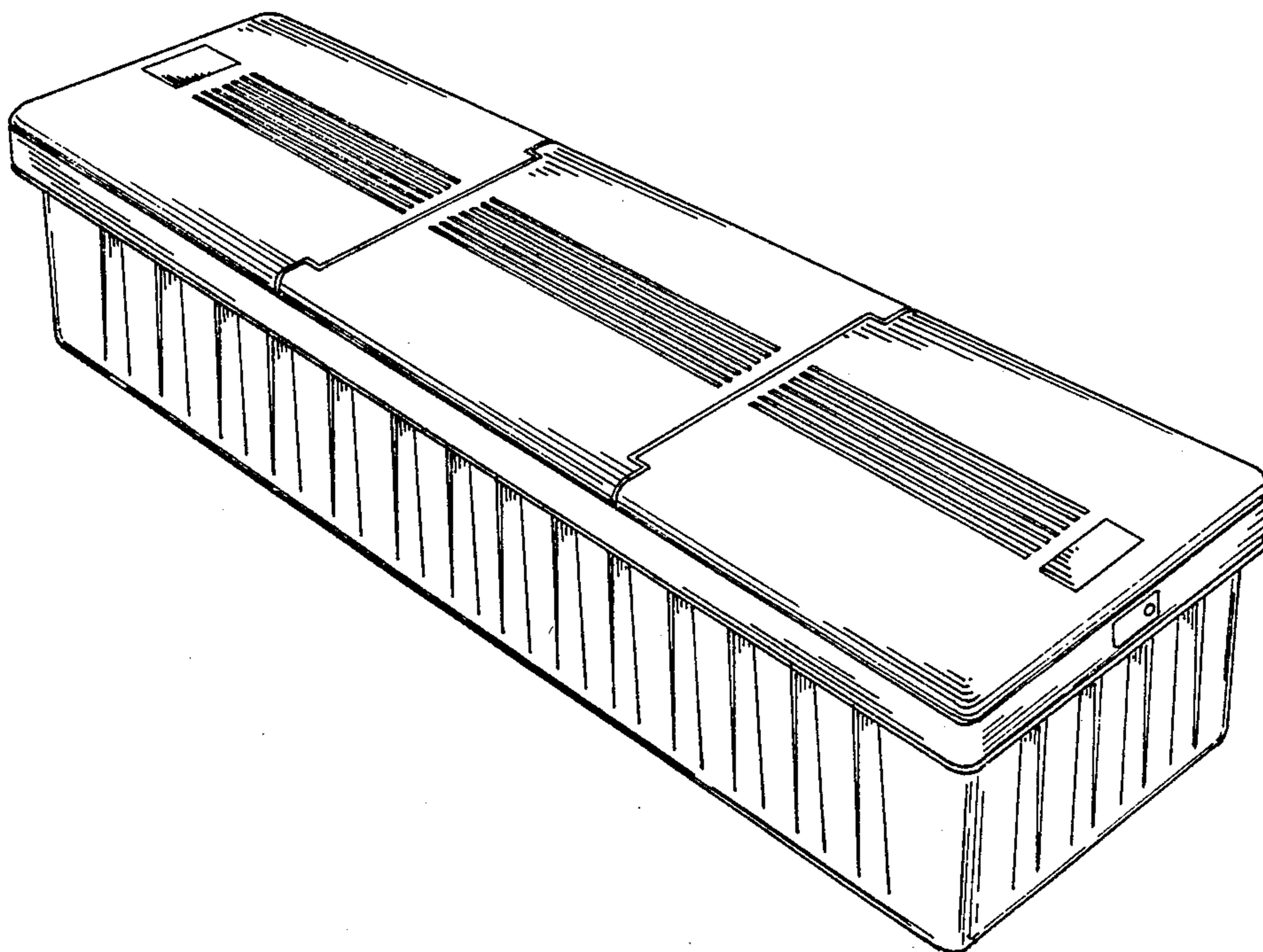
Primary Examiner—James M. Gandy
Attorney, Agent, or Firm—Thomas J. Dodd

[57] **CLAIM**

The ornamental design for a vehicle tool box, as shown and described.

DESCRIPTION

FIG. 1 is a perspective view of the vehicle tool box, showing my new design.
FIG. 2 is an end elevation view, the opposite end being a mirror image thereof;
FIG. 3 is a side elevation view, the opposite side being a mirror image thereof;
FIG. 4 is a bottom plan view;
FIG. 5 is a top plan view;
FIG. 6 is a perspective view of a vehicle tool box showing a second embodiment of my design;
FIG. 7 is a left end elevation view of the vehicle tool box shown in FIG. 6;
FIG. 8 is a right end elevation view of the vehicle tool box shown in FIG. 6;
FIG. 9 is a bottom plan view of the vehicle tool box shown in FIG. 6;
FIG. 10 is a left side elevation view of the vehicle tool box shown in FIG. 6;
FIG. 11 is a top plan view of the vehicle tool box shown in FIG. 6;
FIG. 12 is a right side elevation view of the vehicle tool box shown in FIG. 6.



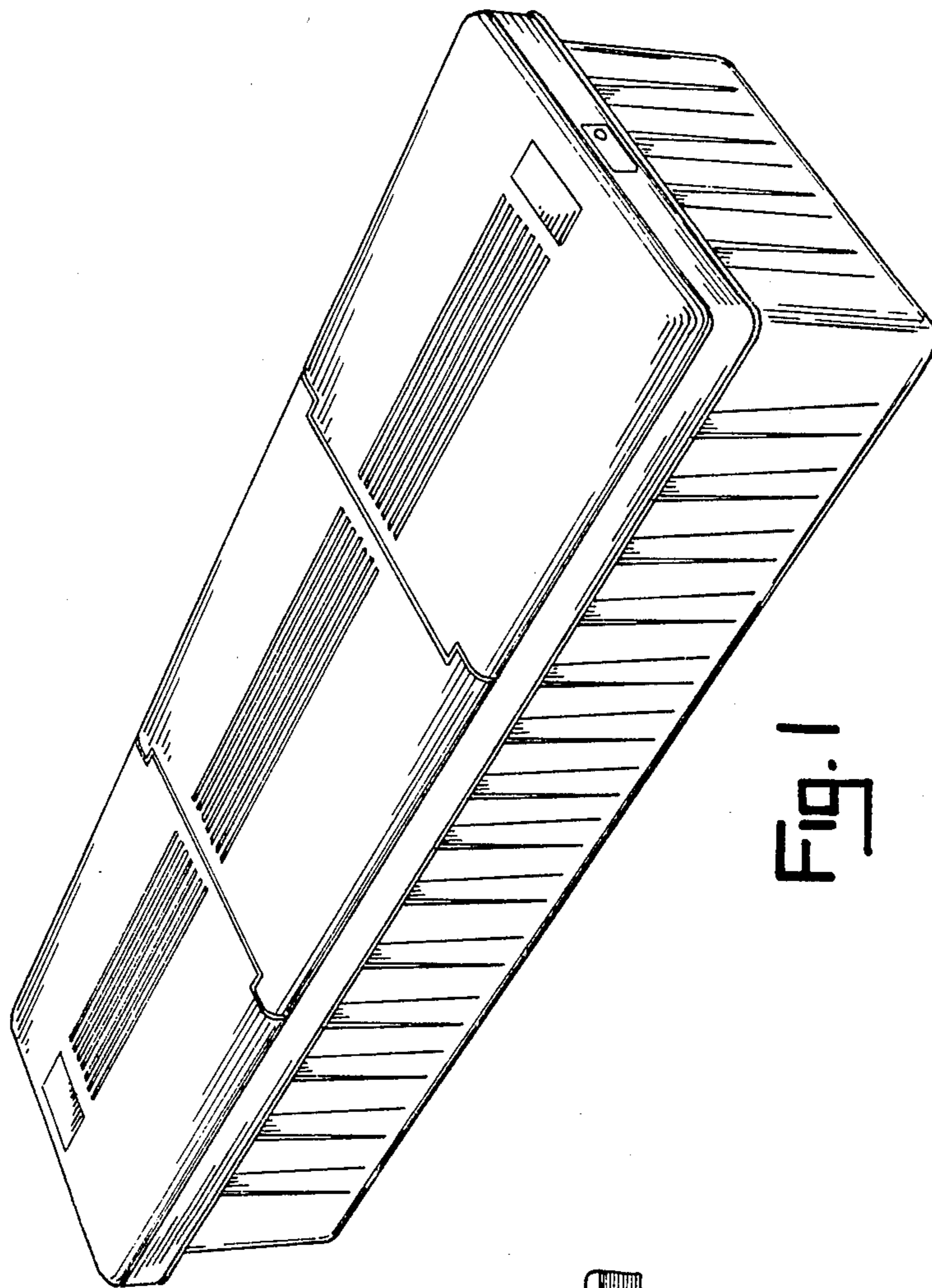


FIG. 1

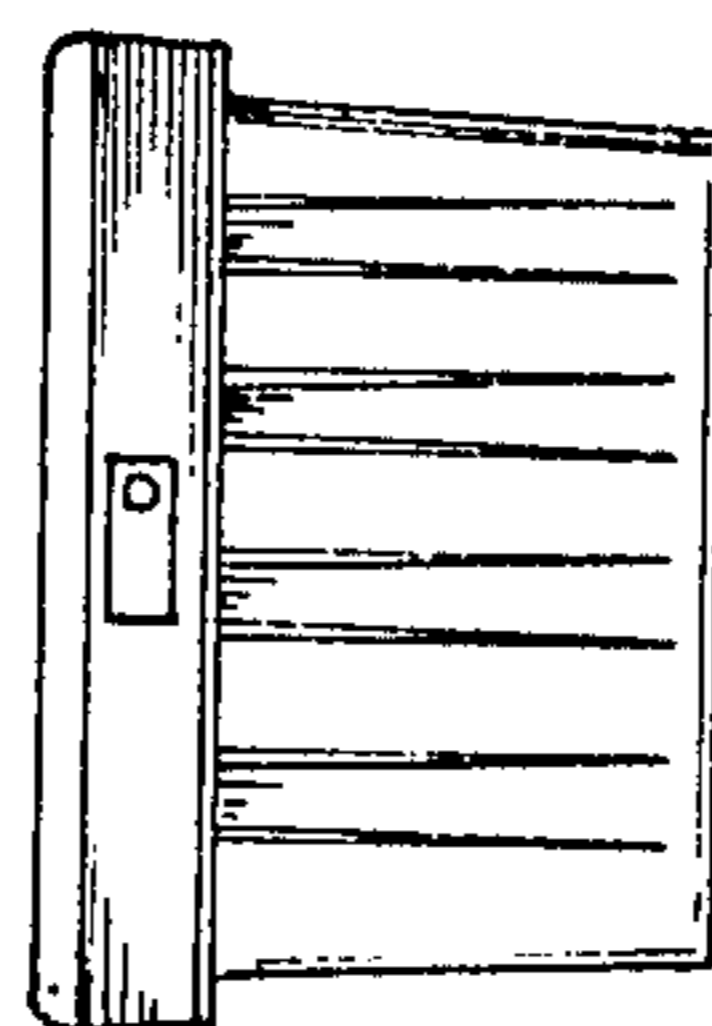


FIG. 2

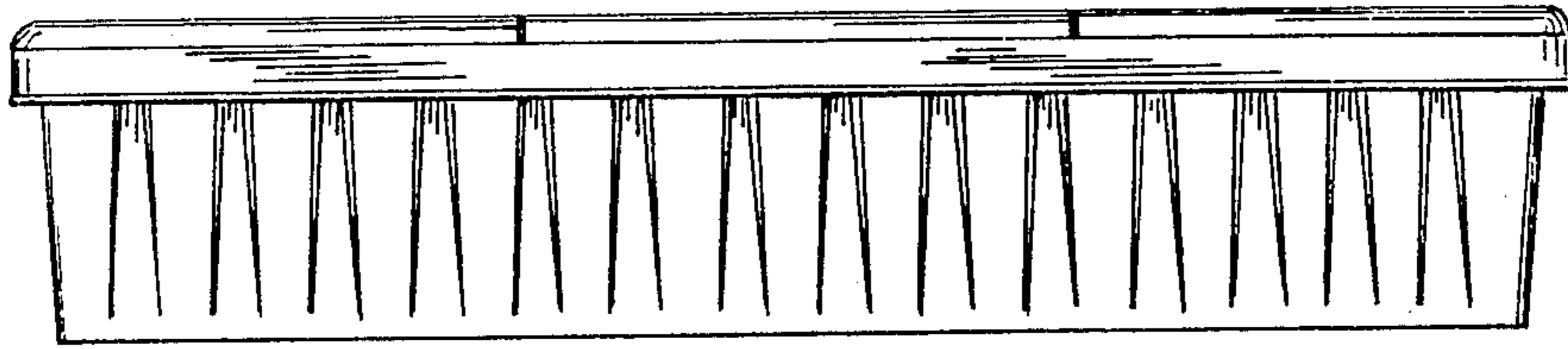


Fig. 3

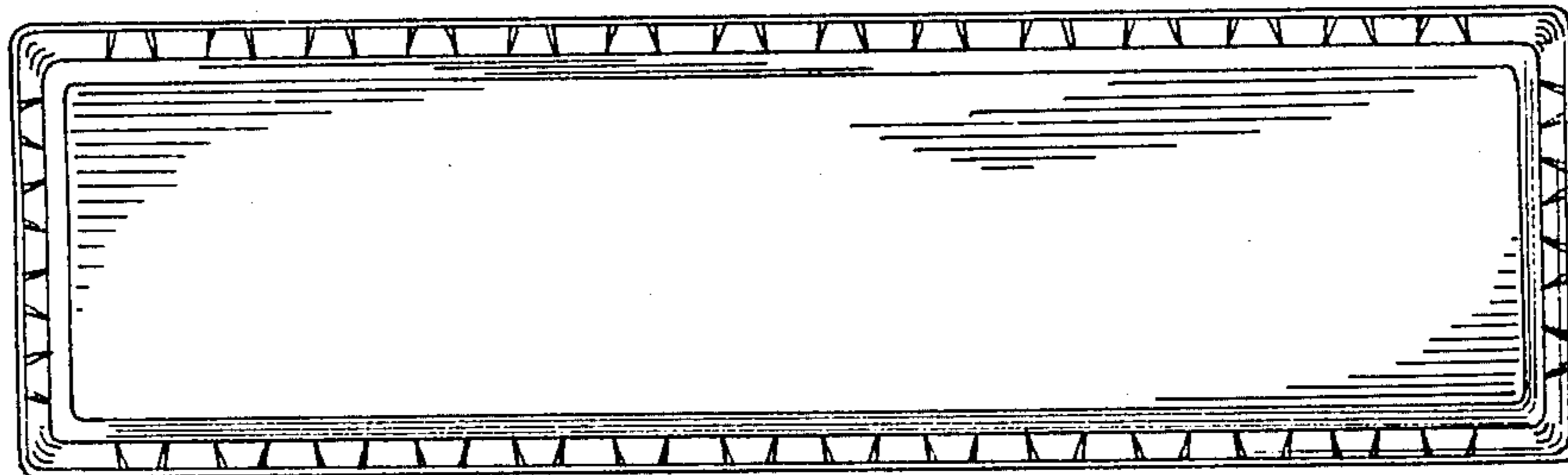


Fig. 4

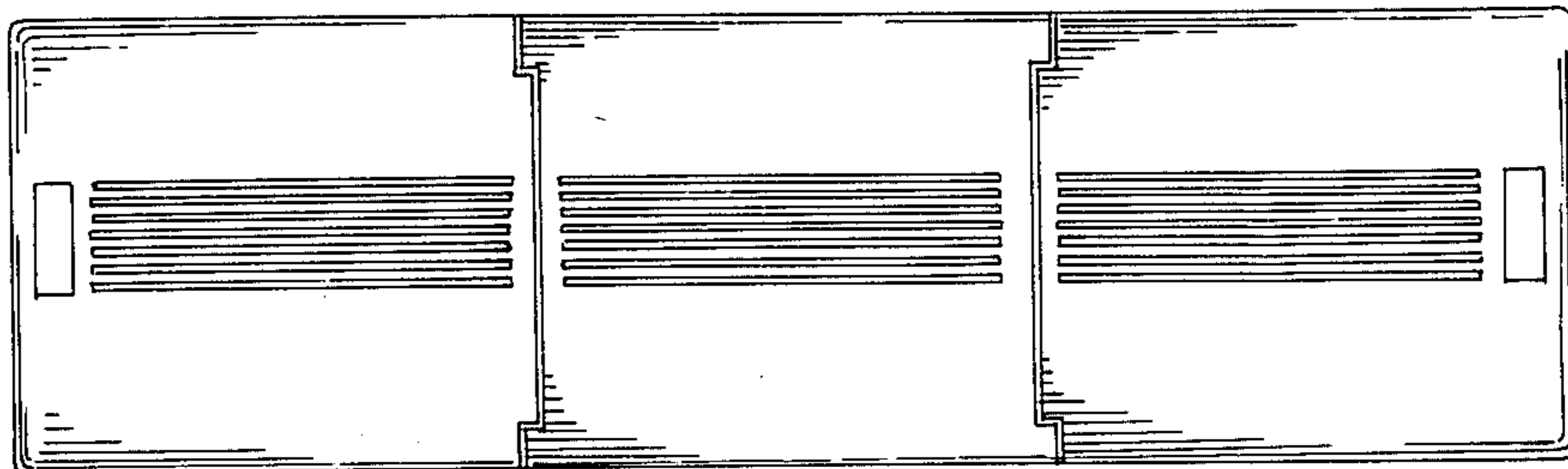


Fig. 5

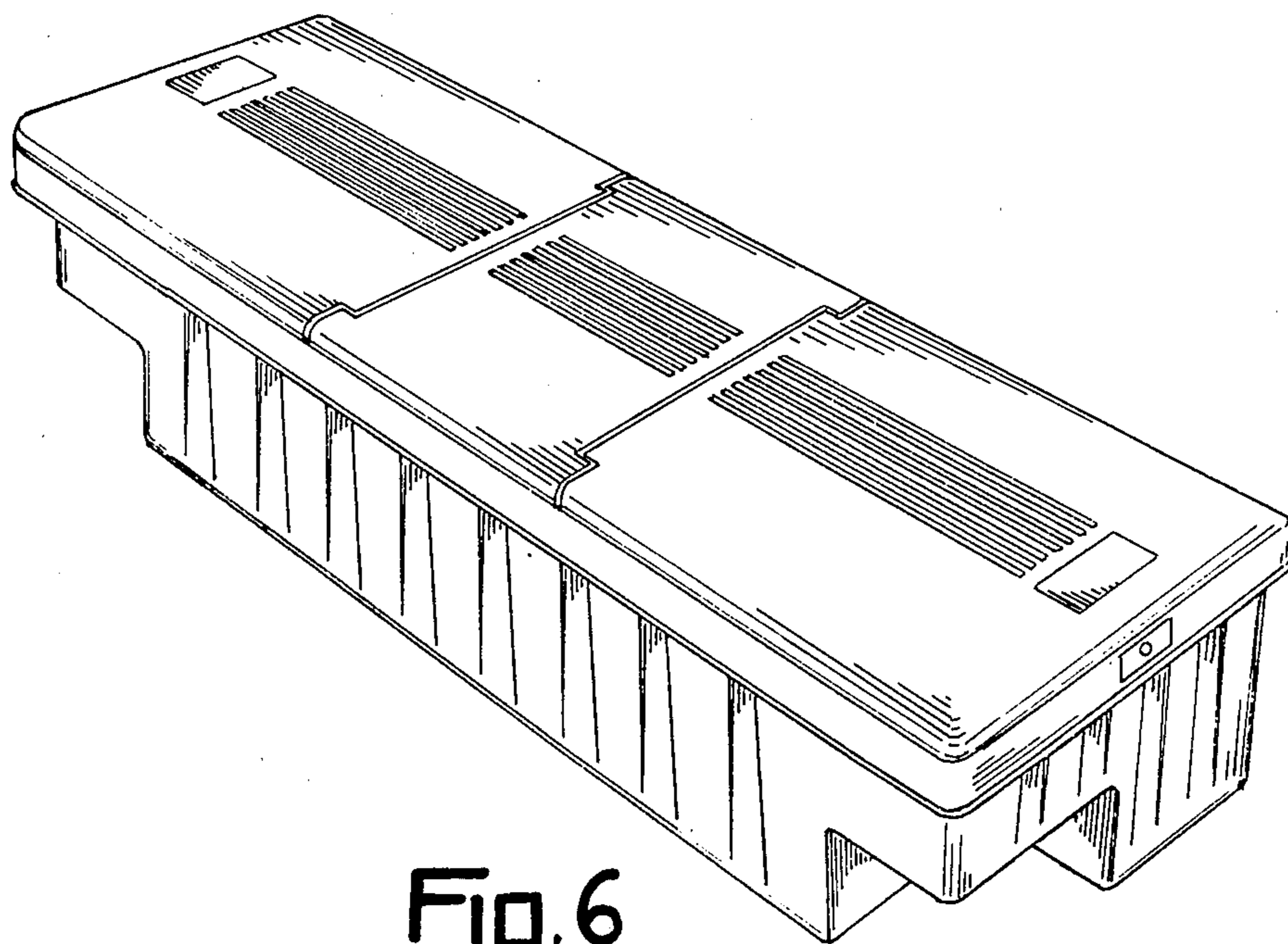


Fig. 6

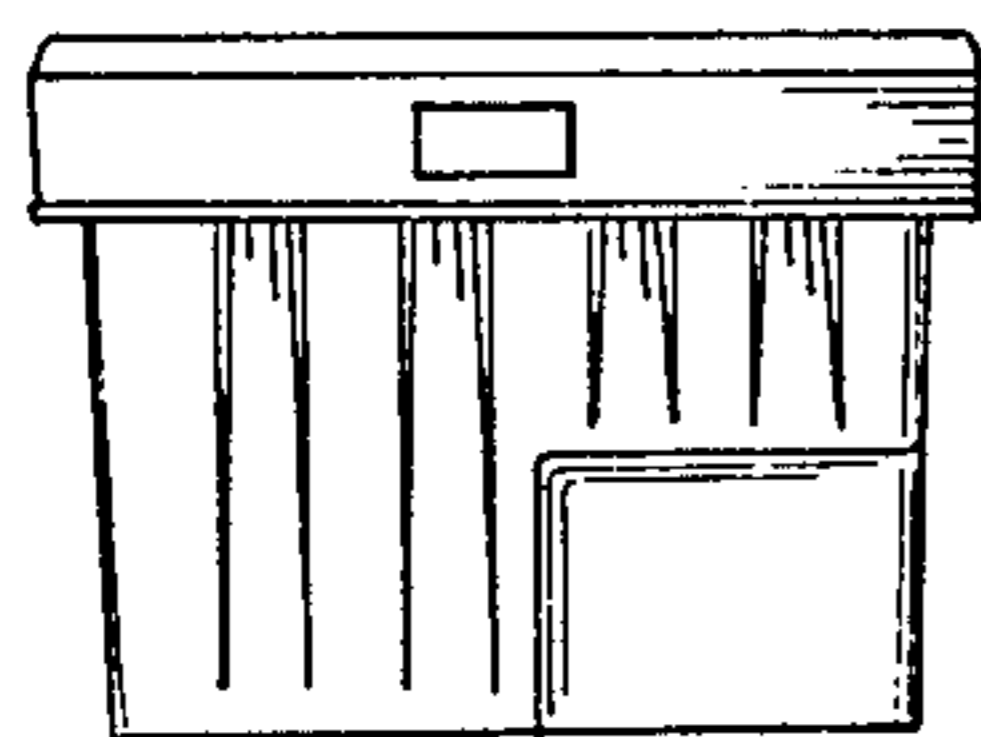


Fig. 7

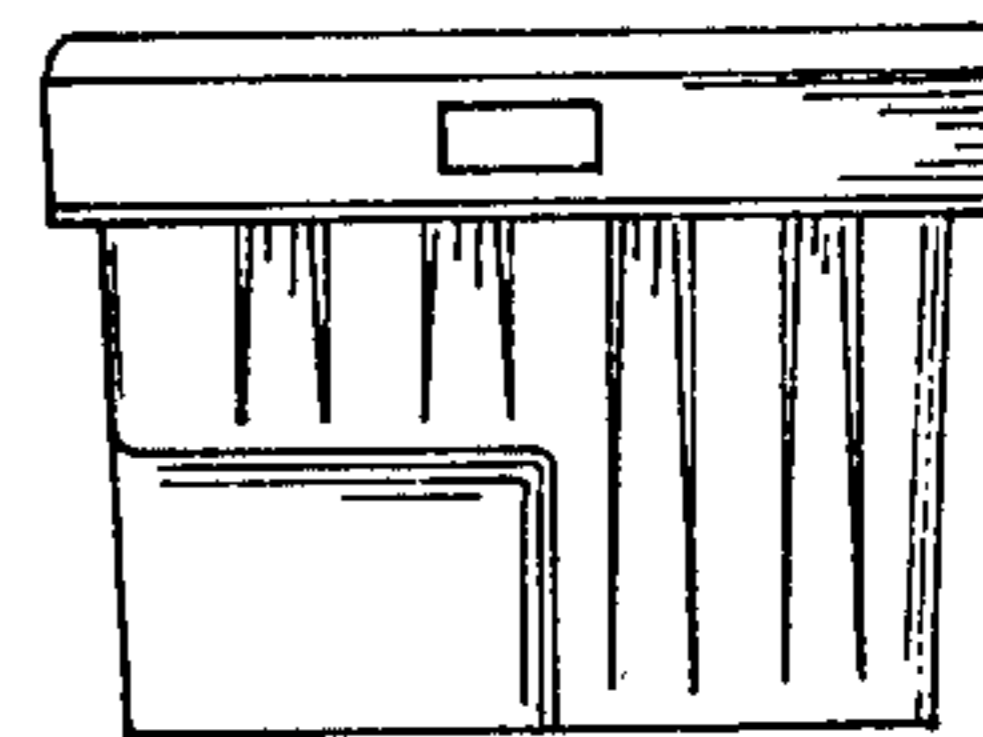


Fig. 8

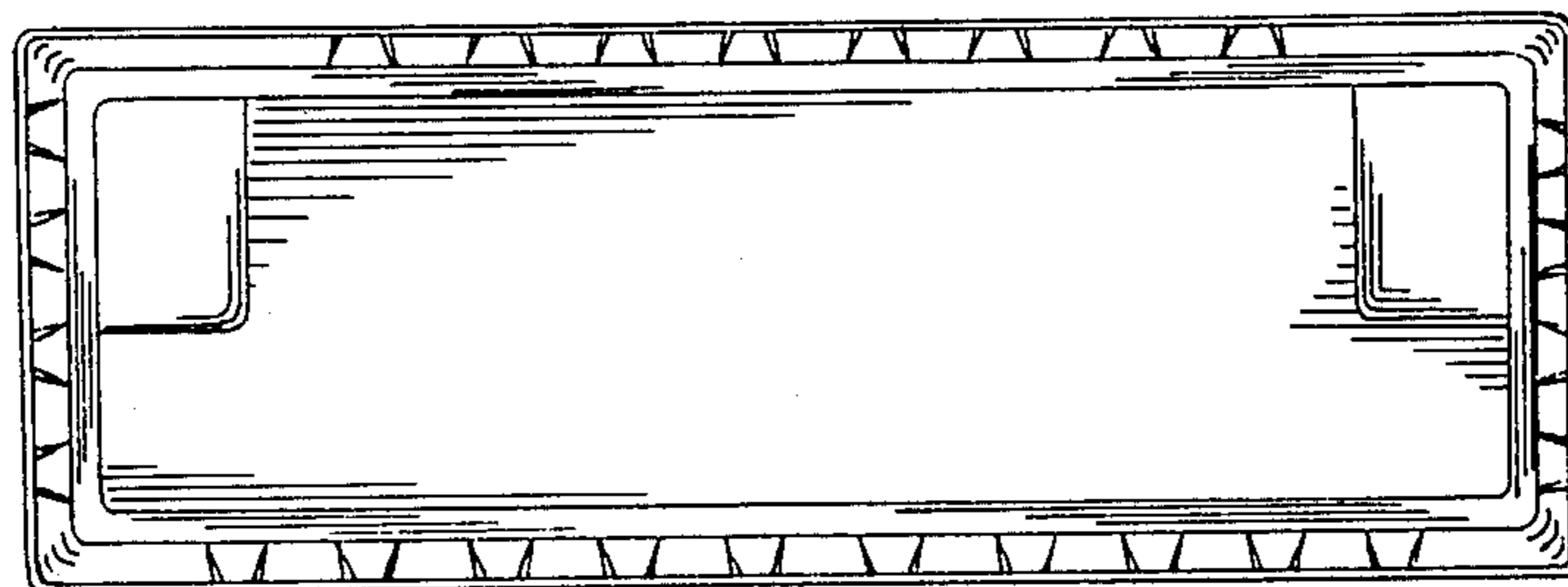


Fig. 9

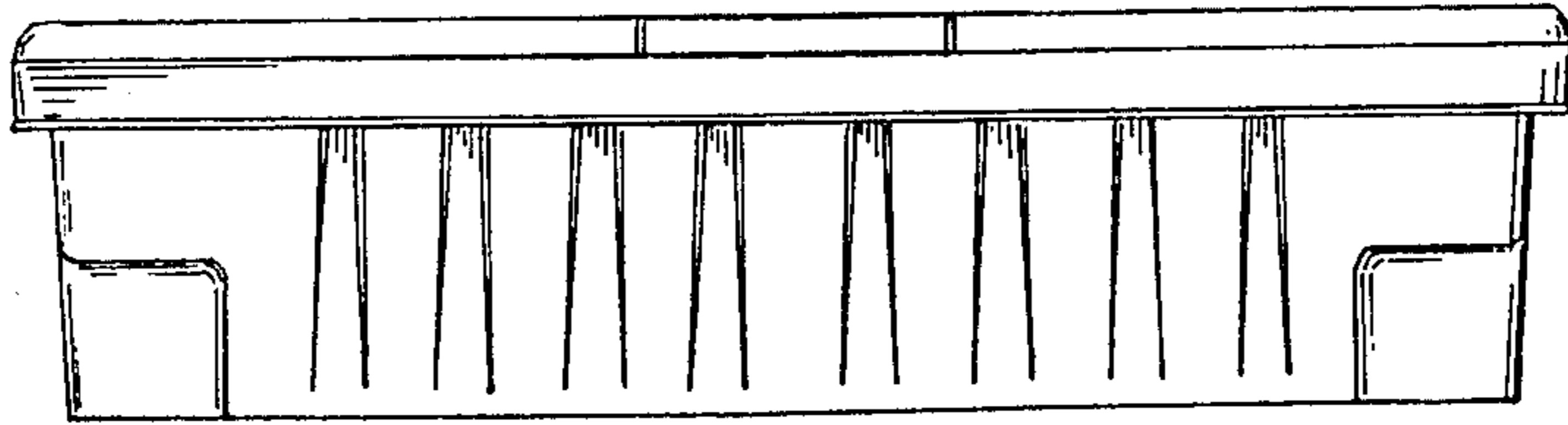


Fig. 10

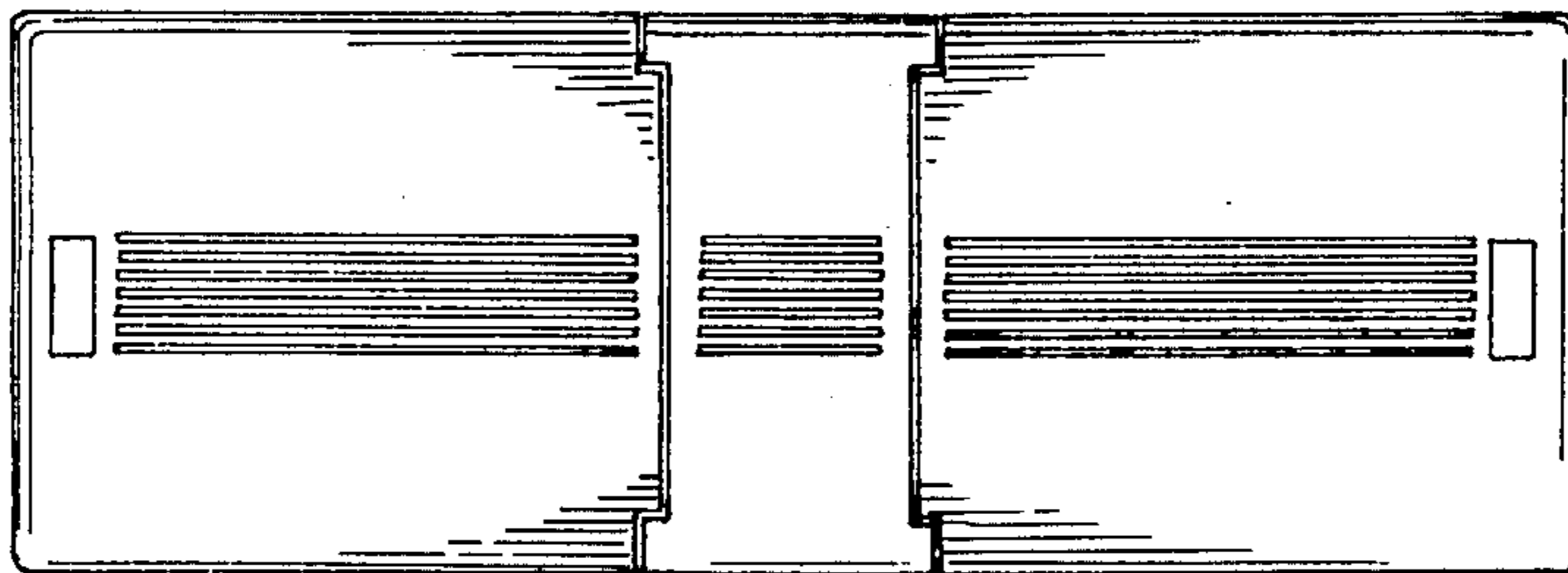


Fig. 11

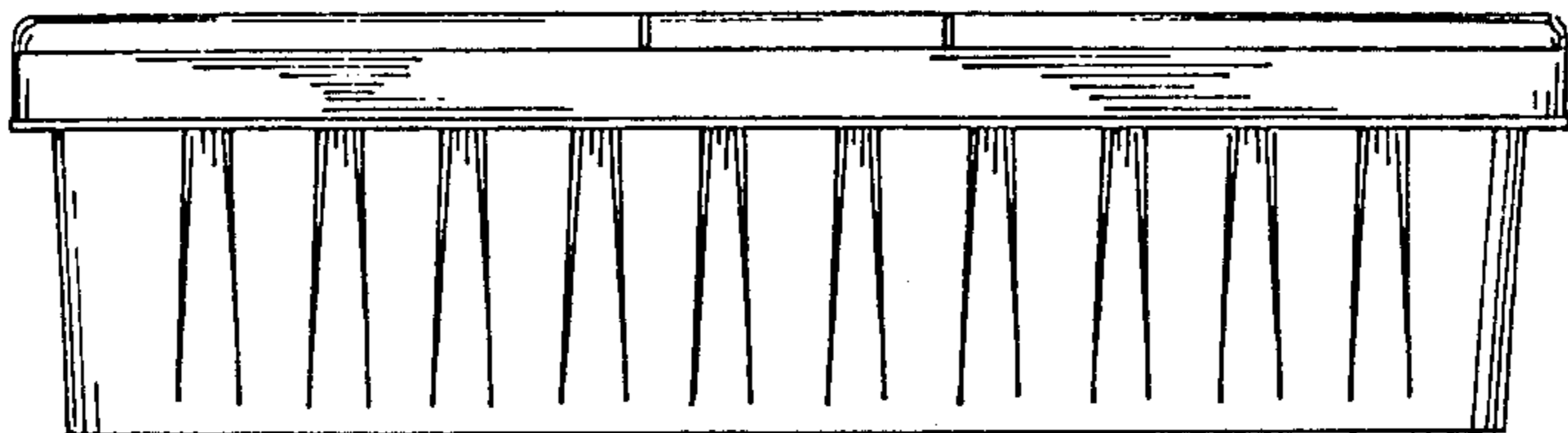


Fig. 12