

[54] **AIR-POWERED BLIND RIVETER**

[75] Inventor: **Larry A. Lambert, Derby, Conn.**
[73] Assignee: **USM Corporation, Farmington, Conn.**
[**] Term: **14 Years**
[21] Appl. No.: **815,959**
[22] Filed: **Jan. 3, 1986**
[52] U.S. Cl. **D8/61; D8/68**
[58] Field of Search **D8/14, 61-64, D8/67-71, 44; 72/391; 73/169, 170**

[56] **References Cited**

U.S. PATENT DOCUMENTS

D. 238,046 12/1975 Levine D8/68
3,127,045 3/1964 Tschantz 72/391
3,554,088 1/1971 Bruyn 72/391

FOREIGN PATENT DOCUMENTS

949300 2/1964 United Kingdom 72/391

OTHER PUBLICATIONS

Ramset Advertisement in Design News, 6/7/68, p. 136, pneumatic rivet tool.
Product brochure, SSR-104 and SSR-101 Ramset Tools.
Product brochure, GH-780 Power Riveter Cherry Division.
Primary Examiner—Wallace R. Burke
Assistant Examiner—Clare E. Heflin
Attorney, Agent, or Firm—Thomas S. Szatkowski

[57] **CLAIM**

The ornamental design for an air-powered blind riveter, as shown.

DESCRIPTION

FIG. 1 is a front perspective view of an air-powered blind riveter showing my new design;
FIG. 2 is a front elevational view thereof;
FIG. 3 is a rear elevational view thereof;
FIG. 4 is a top plan view thereof;
FIG. 5 is a side elevational view thereof and,
FIG. 6 is a bottom plan view thereof.

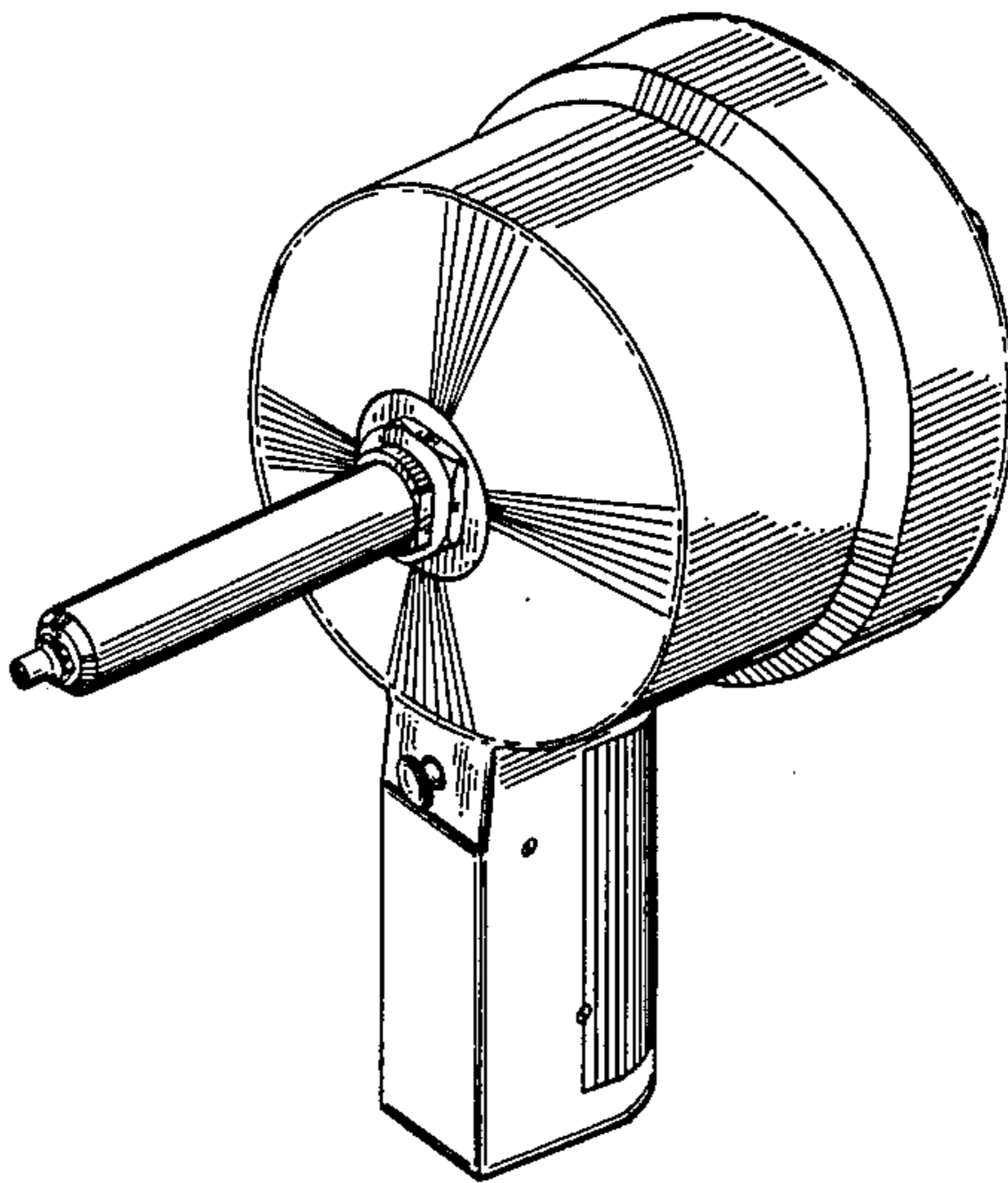
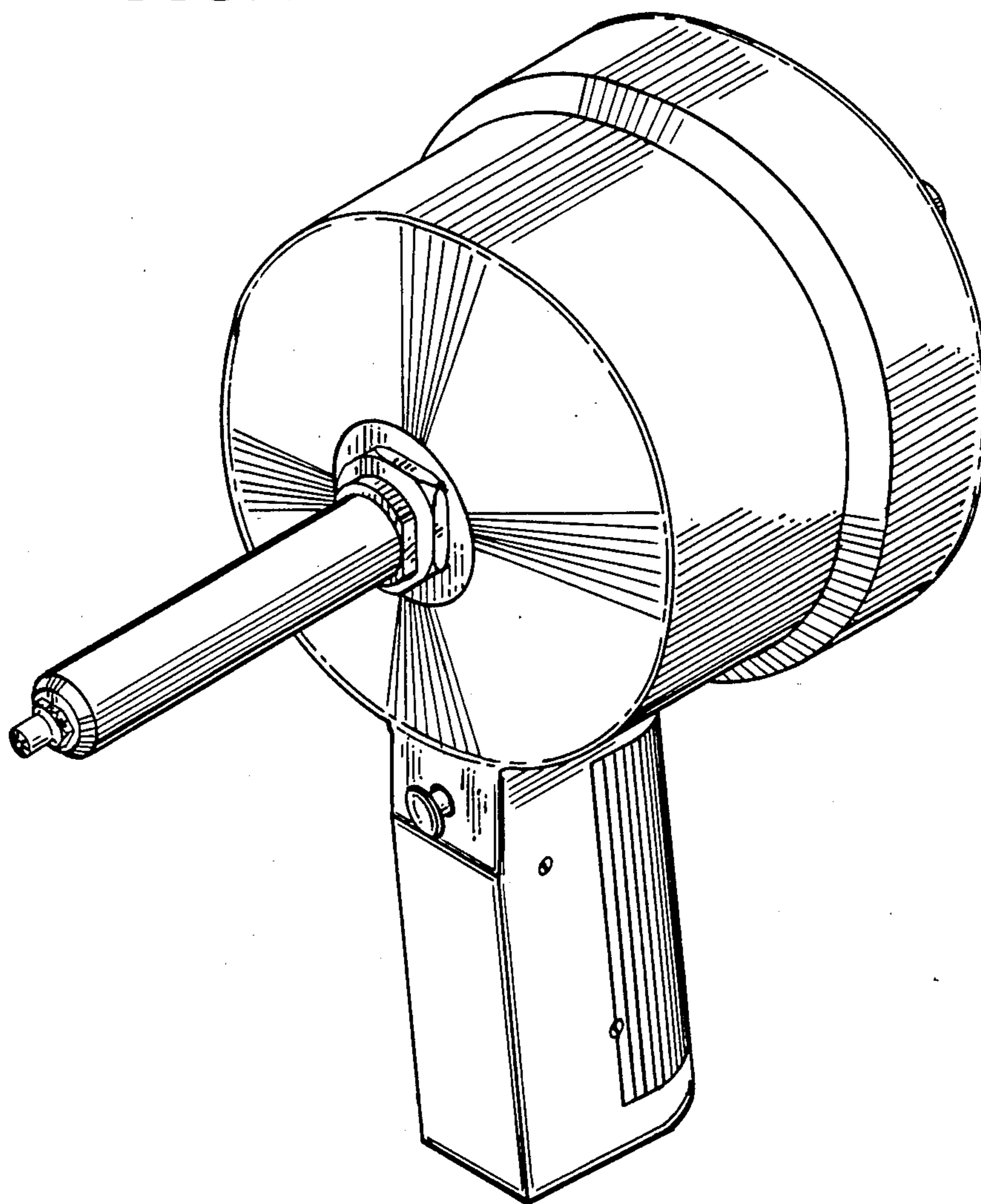


FIG. 1



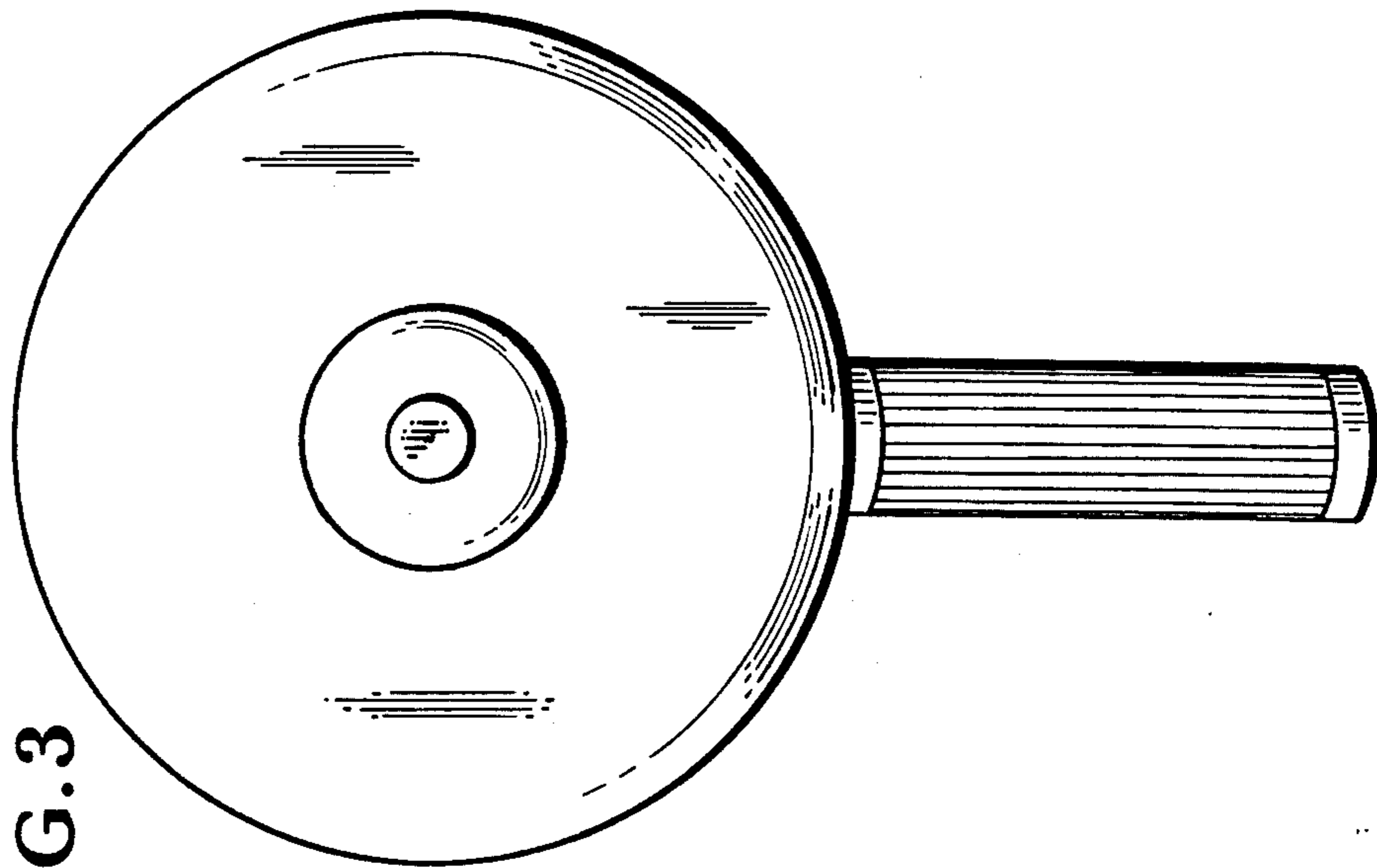


FIG. 3

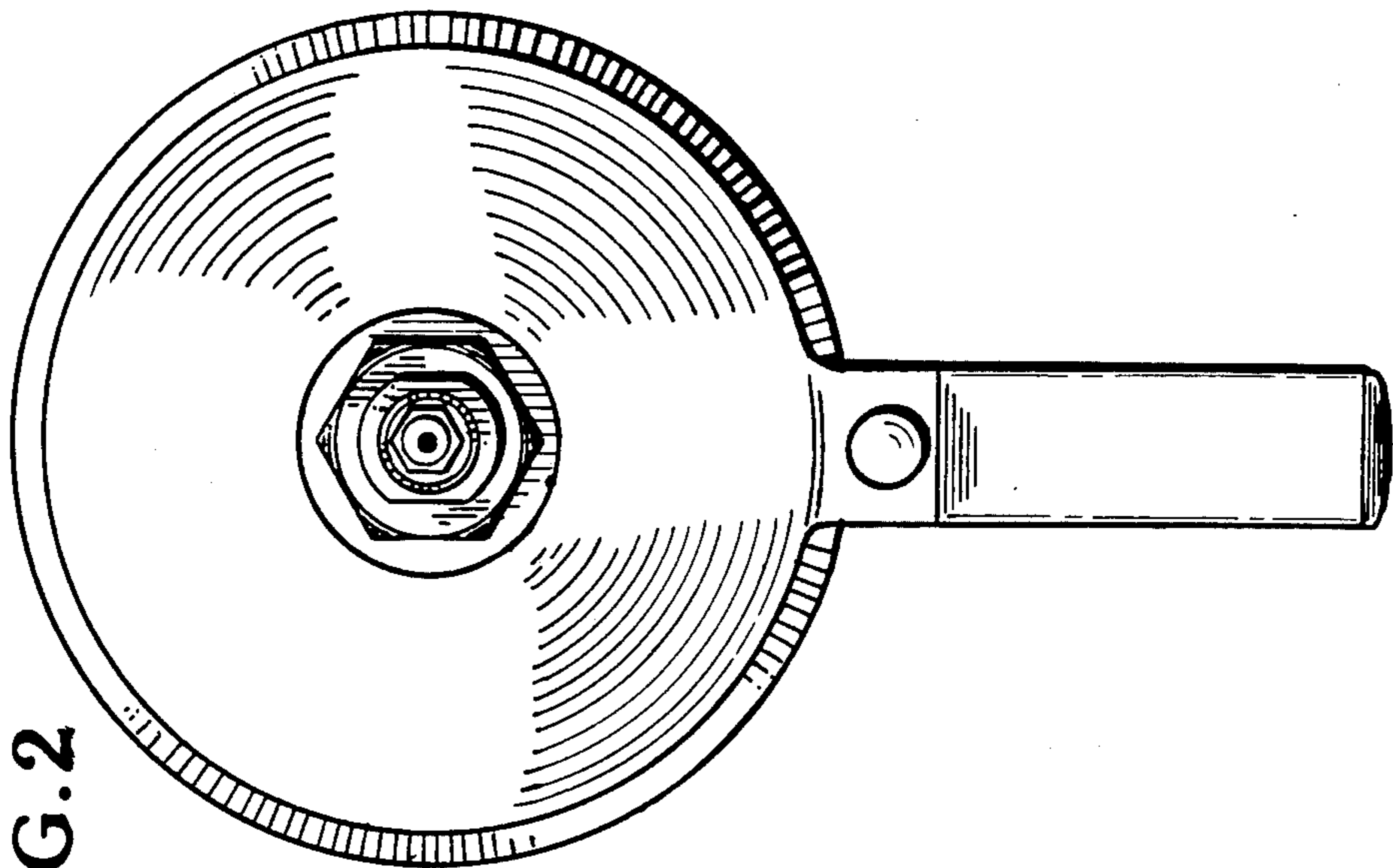


FIG. 2

FIG. 4

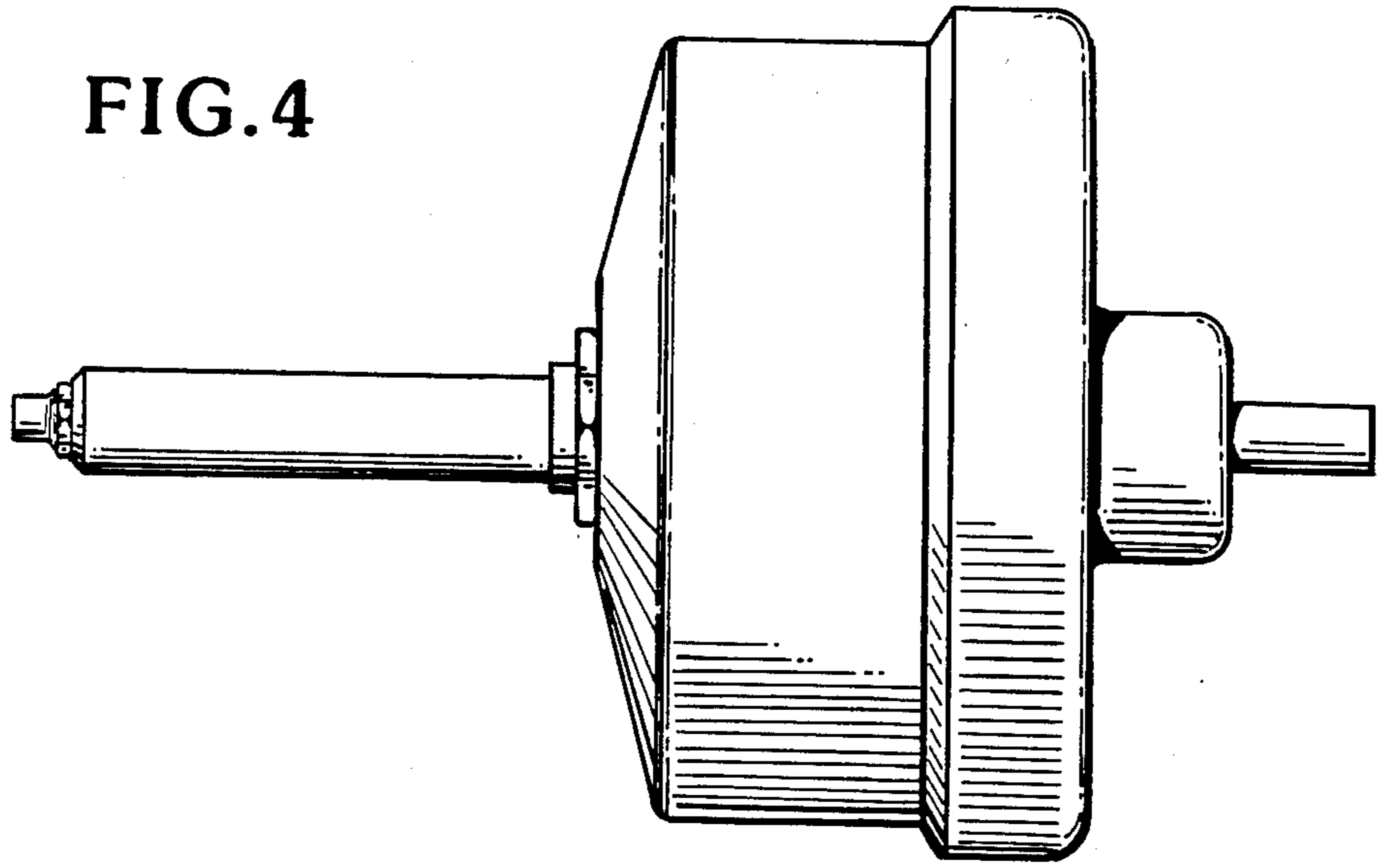
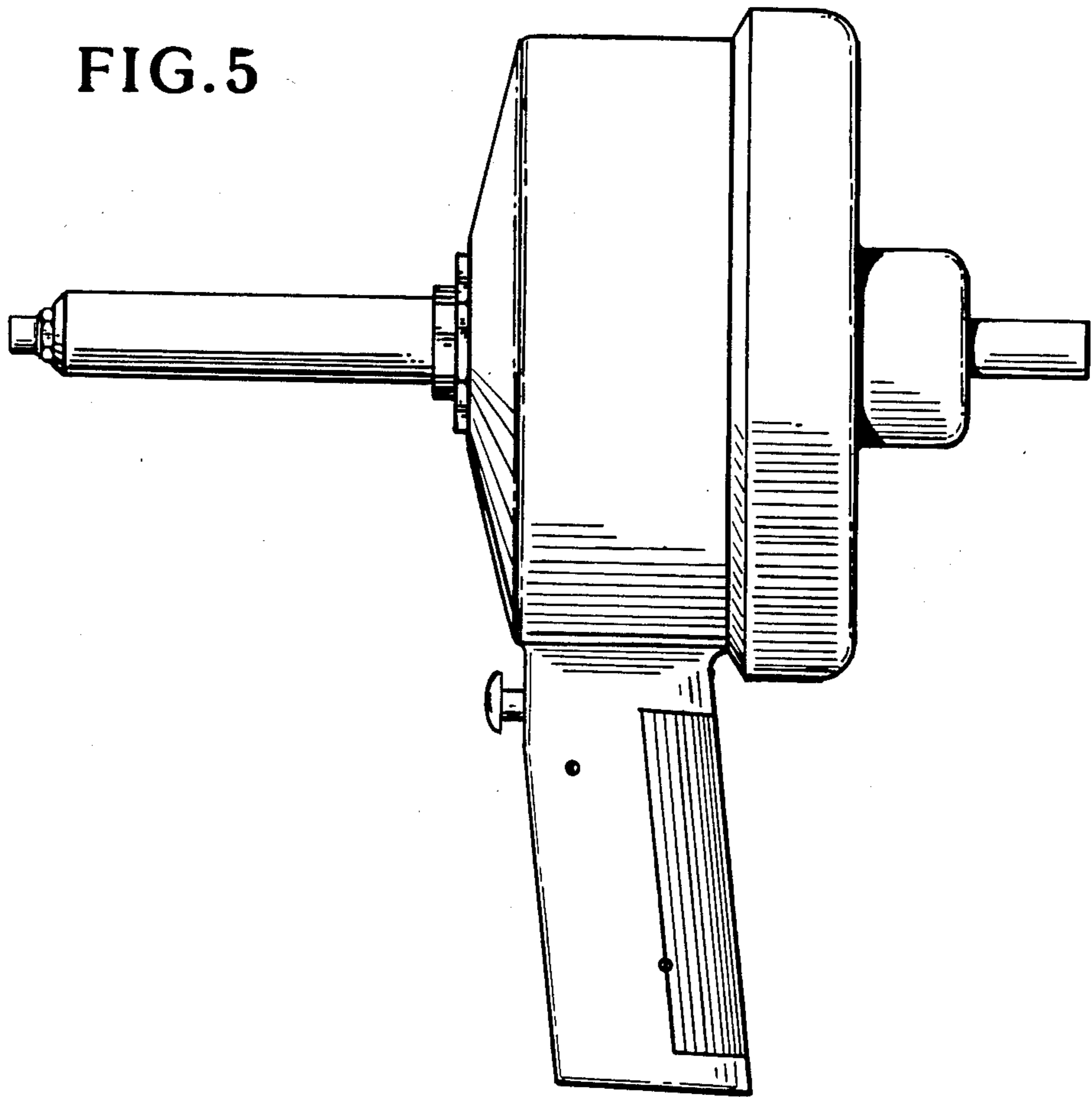


FIG. 5



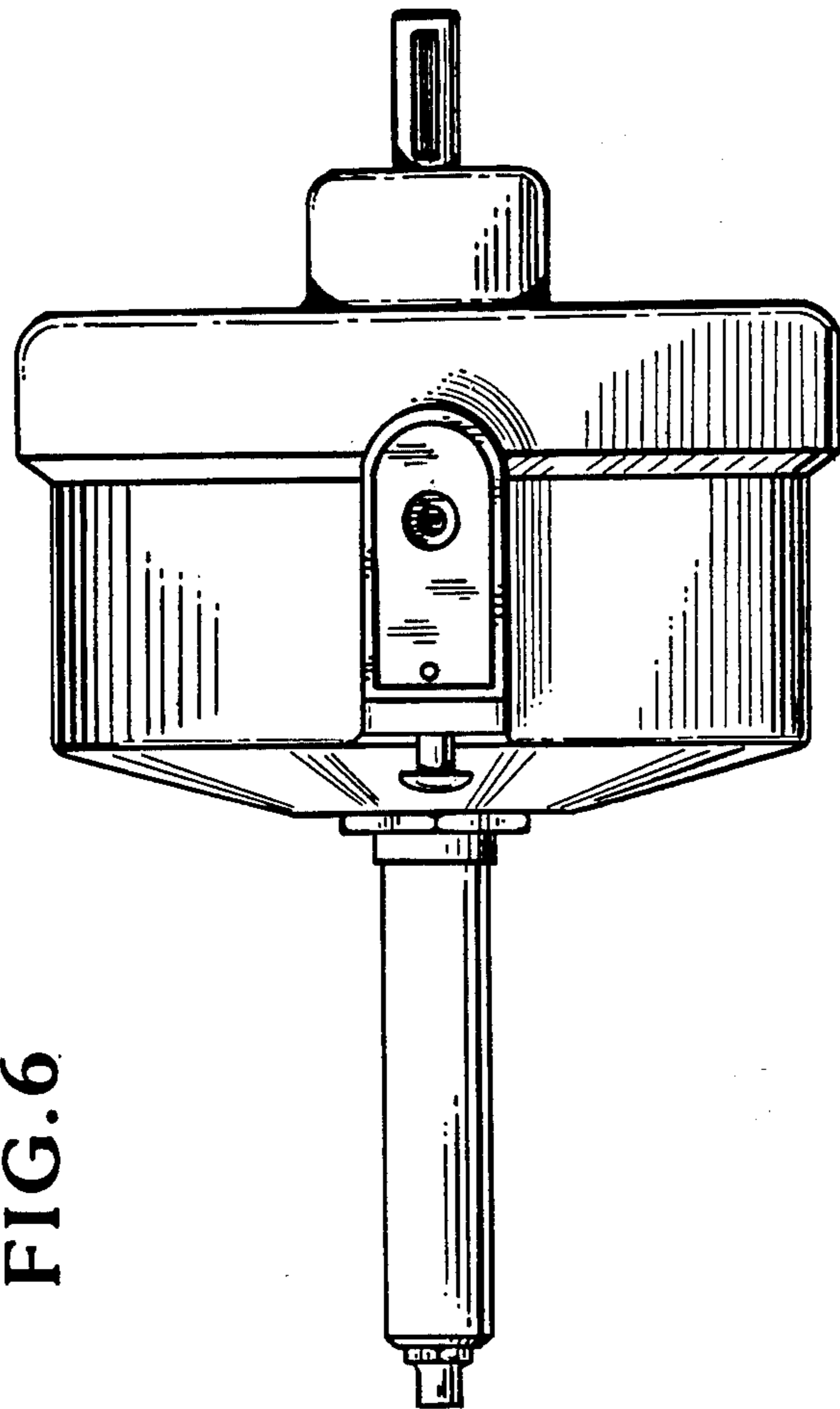


FIG. 6