

United States Patent [19]

Leray

[11] Patent Number: **Des. 298,300**

[45] Date of Patent: **** Nov. 1, 1988**

- [54] **SPATULA FOR PLASTER OR THE LIKE**
- [75] Inventor: **Henri Leray, Nyköping, Sweden**
- [73] Assignee: **Henri Leray AB, Nyköping, Sweden**
- [**] Term: **14 Years**
- [21] Appl. No.: **694,102**
- [22] Filed: **Jan. 23, 1985**

[30] **Foreign Application Priority Data**

- Aug. 16, 1984 [SE] Sweden 84-2210
- [52] U.S. Cl. **D8/45; D32/49**
- [58] Field of Search D8/14, 45; D32/46, 49;
15/104 S, 235.3-235.7, 236, 245

[56] **References Cited**

U.S. PATENT DOCUMENTS

- D. 117,388 10/1939 Woinarovicz D32/46 X
- D. 240,794 8/1976 Marx D8/45

- 3,069,713 12/1962 Obraske 15/235.4 X
- 3,571,838 3/1971 Stasechke 15/236 R

FOREIGN PATENT DOCUMENTS

- 736445 9/1932 France 15/236 R

OTHER PUBLICATIONS

Hyde Tool catalog #160-R71, p. 3, spreaders KS10 and JT.

Primary Examiner—Catherine E. Kemper
Attorney, Agent, or Firm—Watson, Cole, Grindle & Watson

[57] **CLAIM**

The ornamental design for a spatula for plaster or the like, as shown and described.

DESCRIPTION

FIG. 1 is an elevational view of a spatula for plaster or the like, showing my new design, and FIG. 2 is an elevational side view thereof.

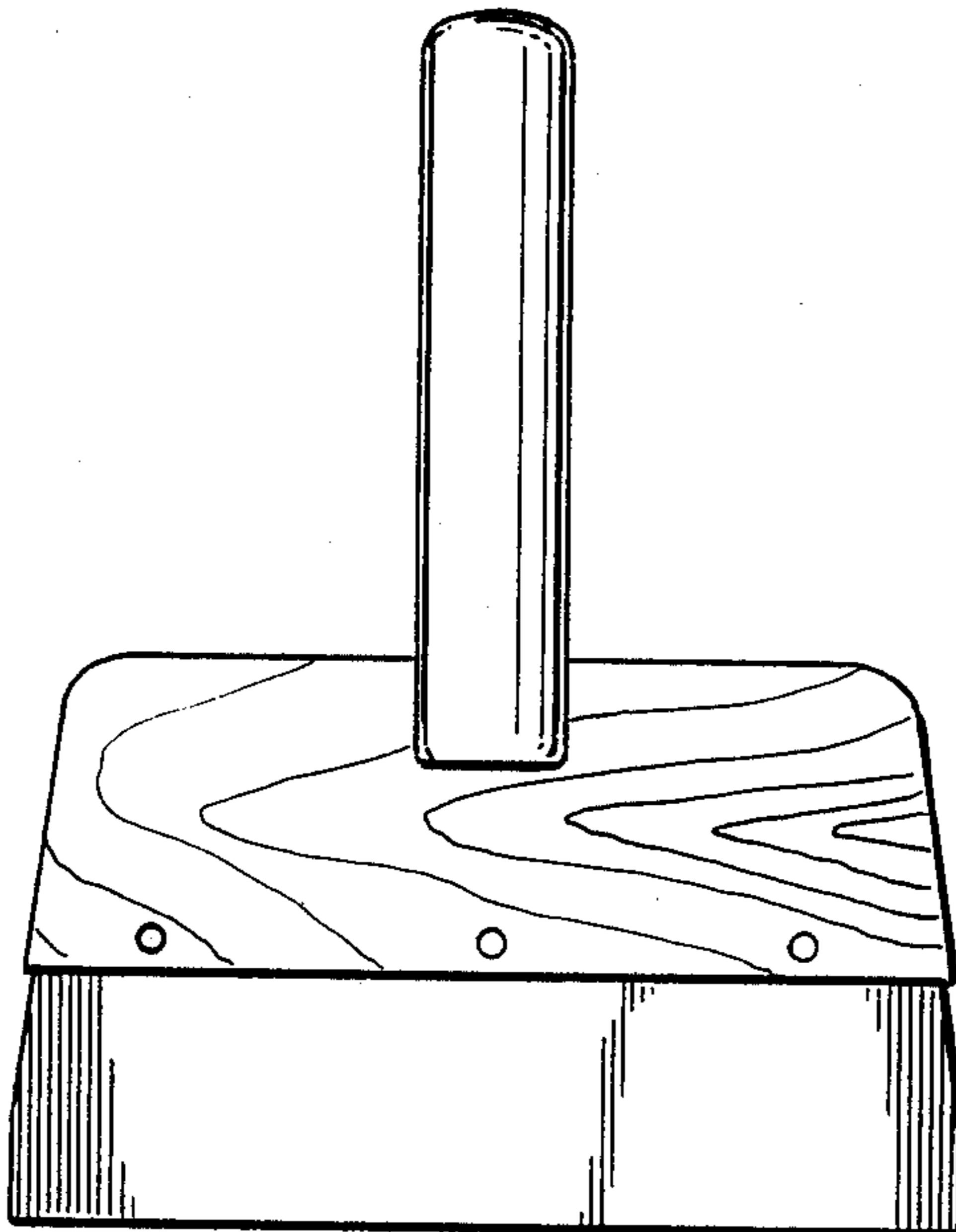


FIG. 1

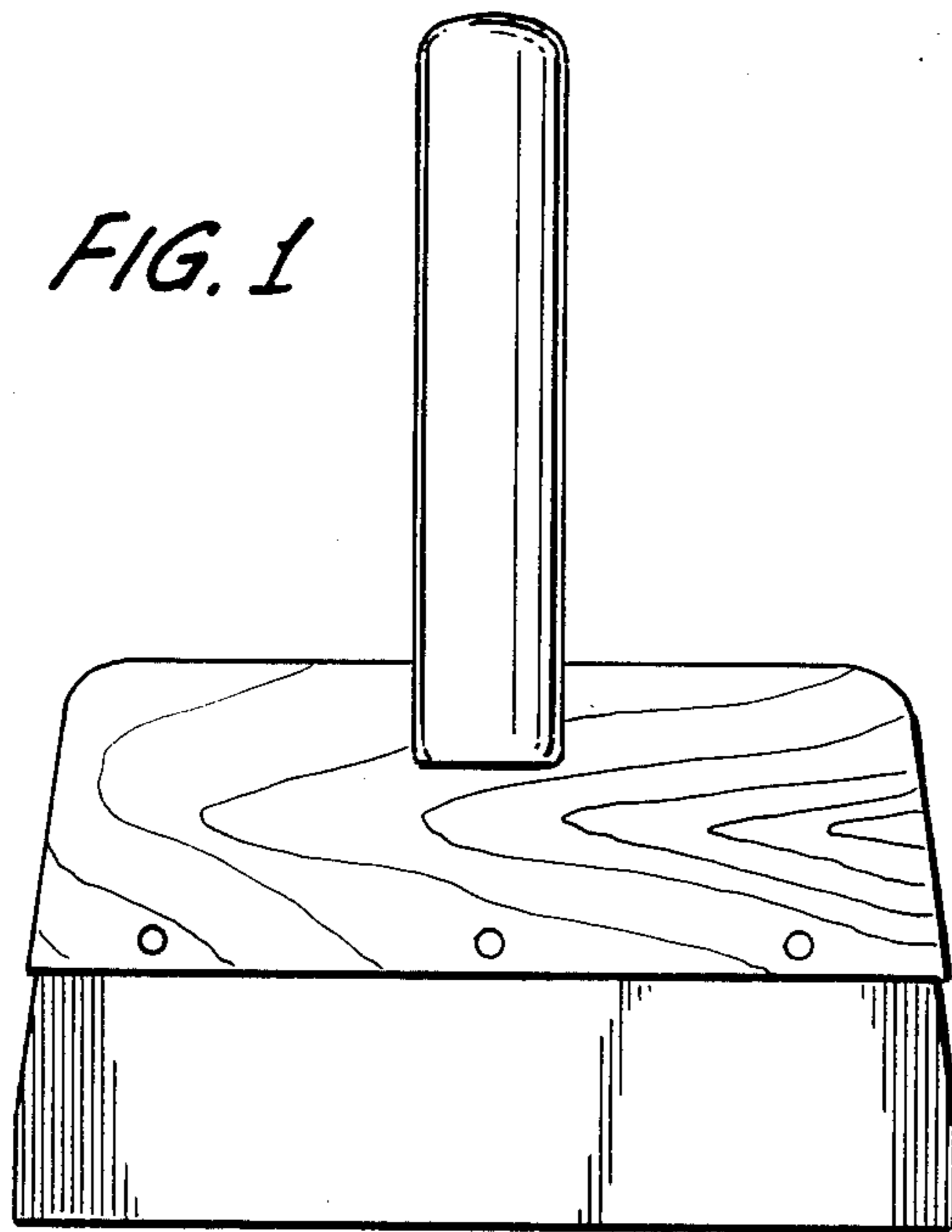


FIG. 2

