

[54] **RIB HOLDER DEVICE**

[76] **Inventor: Gary W. Maltby, 317 "B" Encino La., San Clemente, Calif. 92677**

[**] **Term: 14 Years**

[21] **Appl. No.: 827,920**

[22] **Filed: Feb. 10, 1986**

[52] **U.S. Cl. D7/105; D8/52**

[58] **Field of Search D7/105, 99; 294/11, 294/99.1, 99.2, 3, 8.5, 16; D8/52, 54, 58**

[56] **References Cited**

U.S. PATENT DOCUMENTS

2,643,151 6/1953 Zupancic 294/26 X

Primary Examiner—Bernard Ansher
Assistant Examiner—Terry Pfeffer
Attorney, Agent, or Firm—Stetina and Brunda

[57] **CLAIM**

The ornamental design for a rib holder device, as shown and described.

DESCRIPTION

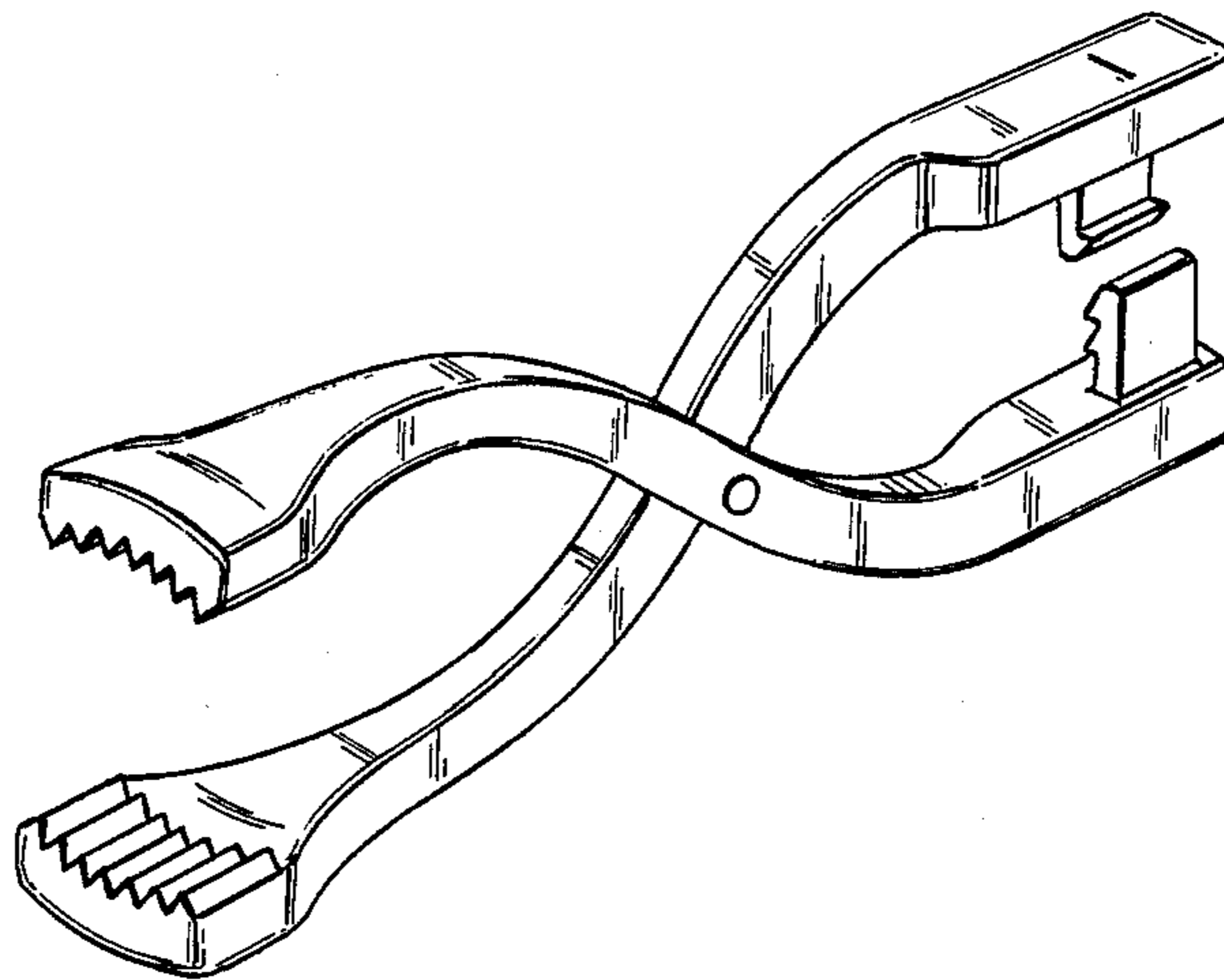
FIG. 1 is a perspective view of the rib holder device showing my new design;

FIG. 2 is a right side elevational view thereof;

FIG. 3 is a top plan view thereof;

FIG. 4 is a front elevational view thereof; and

FIG. 5 is a rear elevational view thereof.



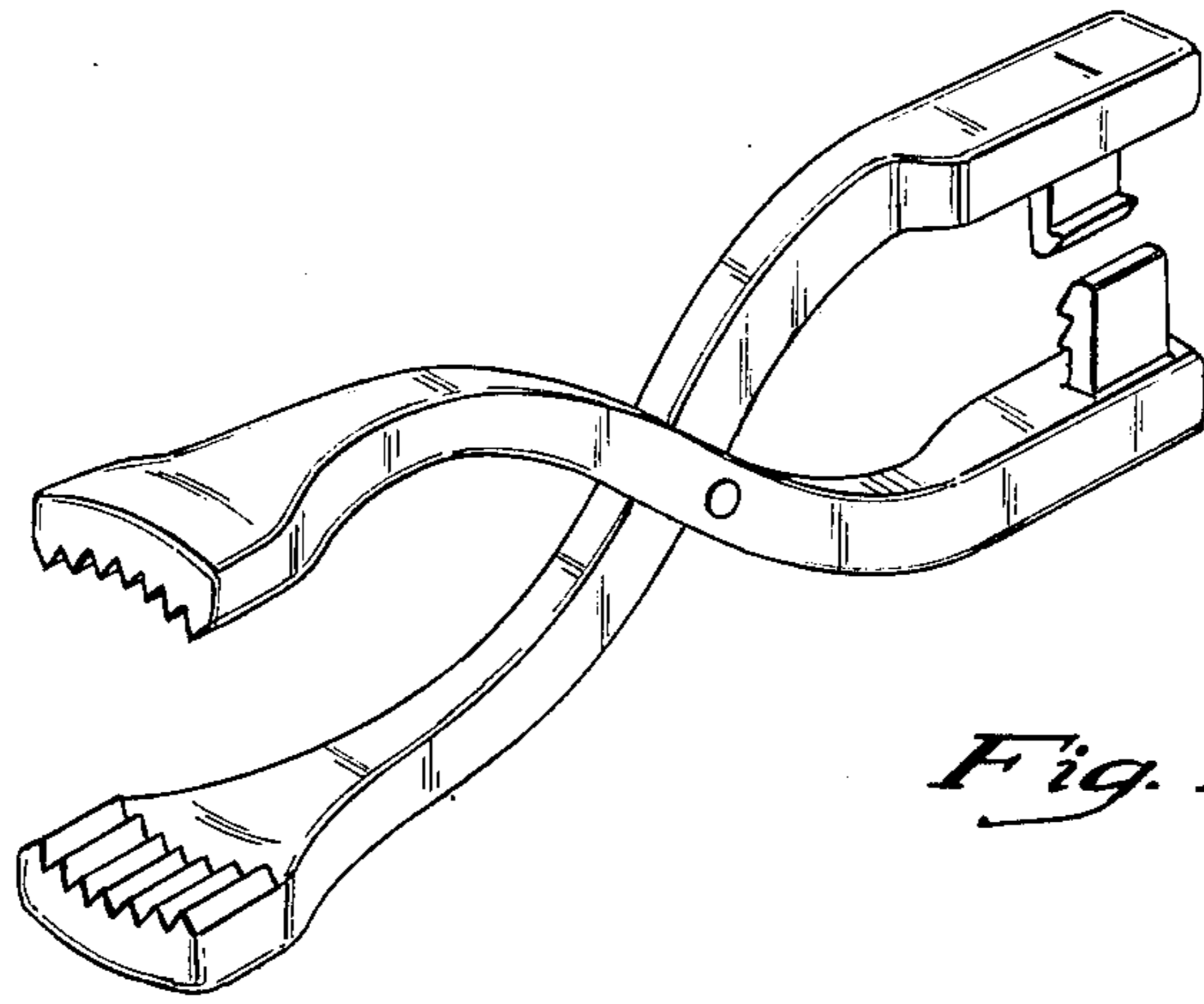


Fig. 1

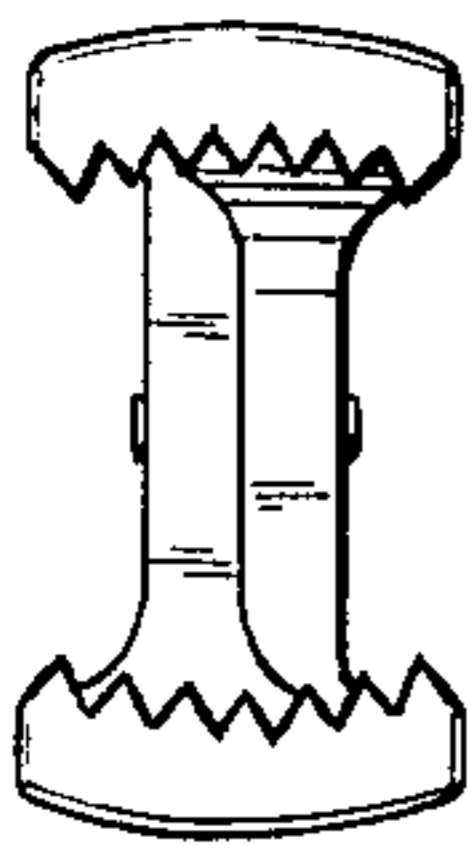


Fig. 4

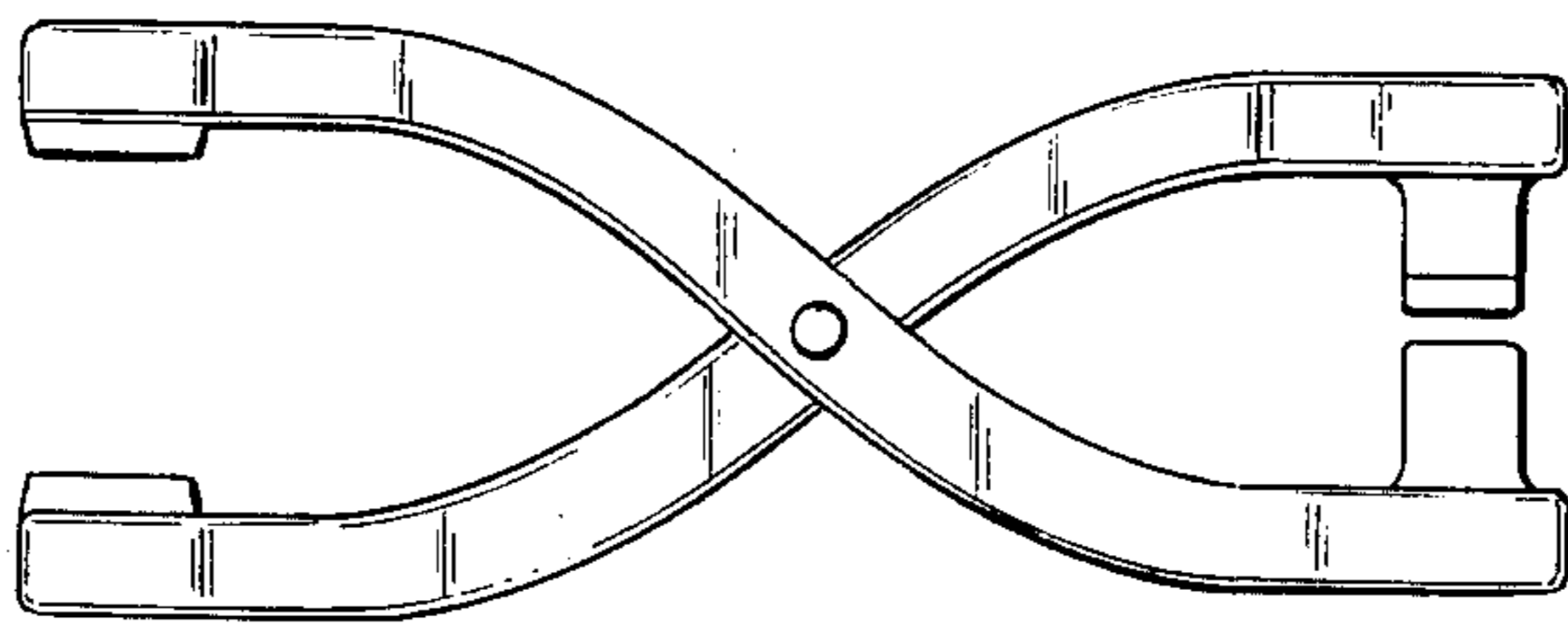


Fig. 2

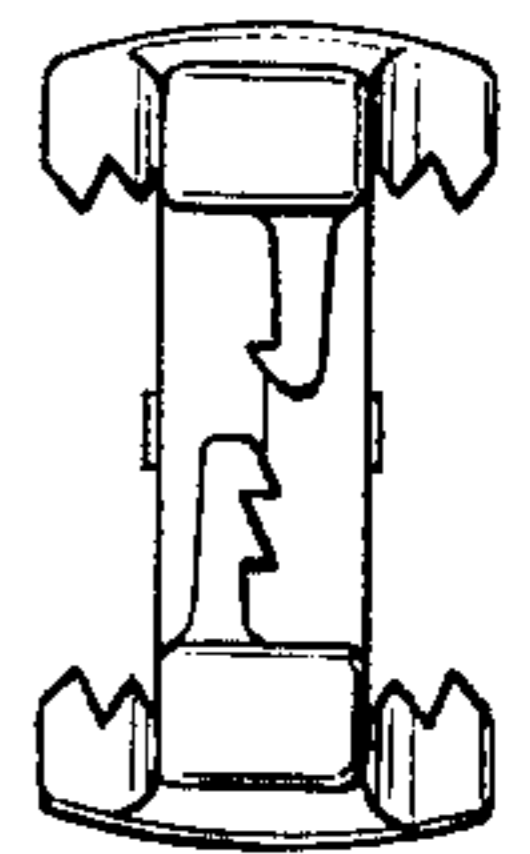


Fig. 5

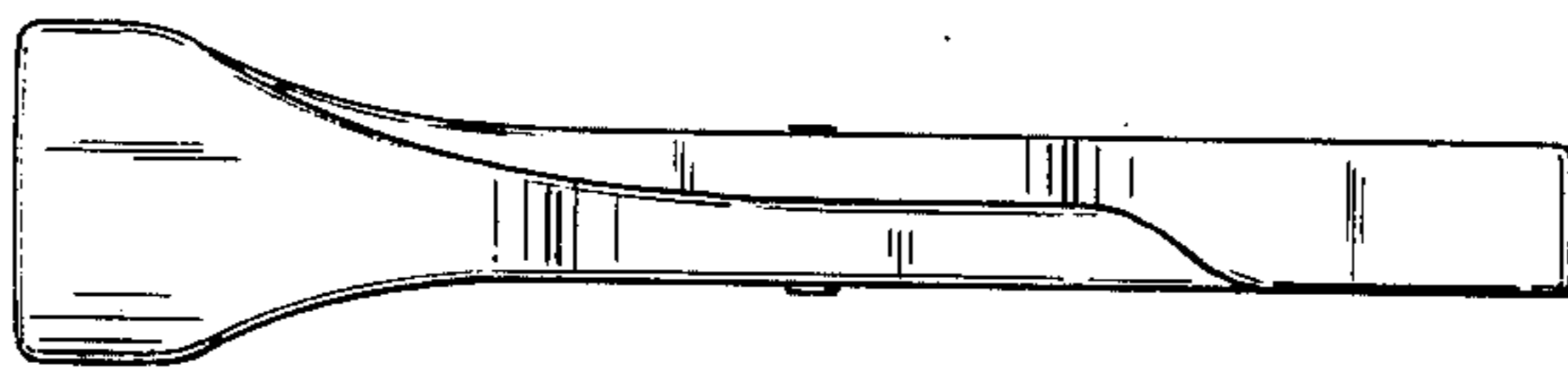


Fig. 3