

United States Patent [19]

Washburn, deceased et al.

[11] Patent Number: **Des. 298,296**

[45] Date of Patent: **** Nov. 1, 1988**

- [54] **COMBINED TRAY AND CUP HOLDER**
- [75] Inventors: **Michael B. Washburn, deceased, late of Gibraltar; Terry L. Washburn, executor, Northville, both of Mich.**
- [73] Assignee: **Social Ware, Inc., Gibraltar, Mich.**
- [**] Term: **14 Years**
- [21] Appl. No.: **783,288**
- [22] Filed: **Oct. 2, 1985**
- [52] U.S. Cl. **D7/38; D7/1; D7/70**
- [58] Field of Search **D7/38, 37, 19, 1, 70, D7/21**

- D. 270,324 8/1983 French D7/19 X
- 3,955,672 5/1976 Brundage D7/70 X
- 4,461,396 7/1984 Harper D7/38 X

OTHER PUBLICATIONS

House Beautiful, Oct. 1958, p. 120, Snack Trays at top-center panel/Hultberg's adv.

Primary Examiner—Winifred E. Herrmann
Attorney, Agent, or Firm—Cullen, Sloman, Cantor, Grauer, Scott & Rutherford

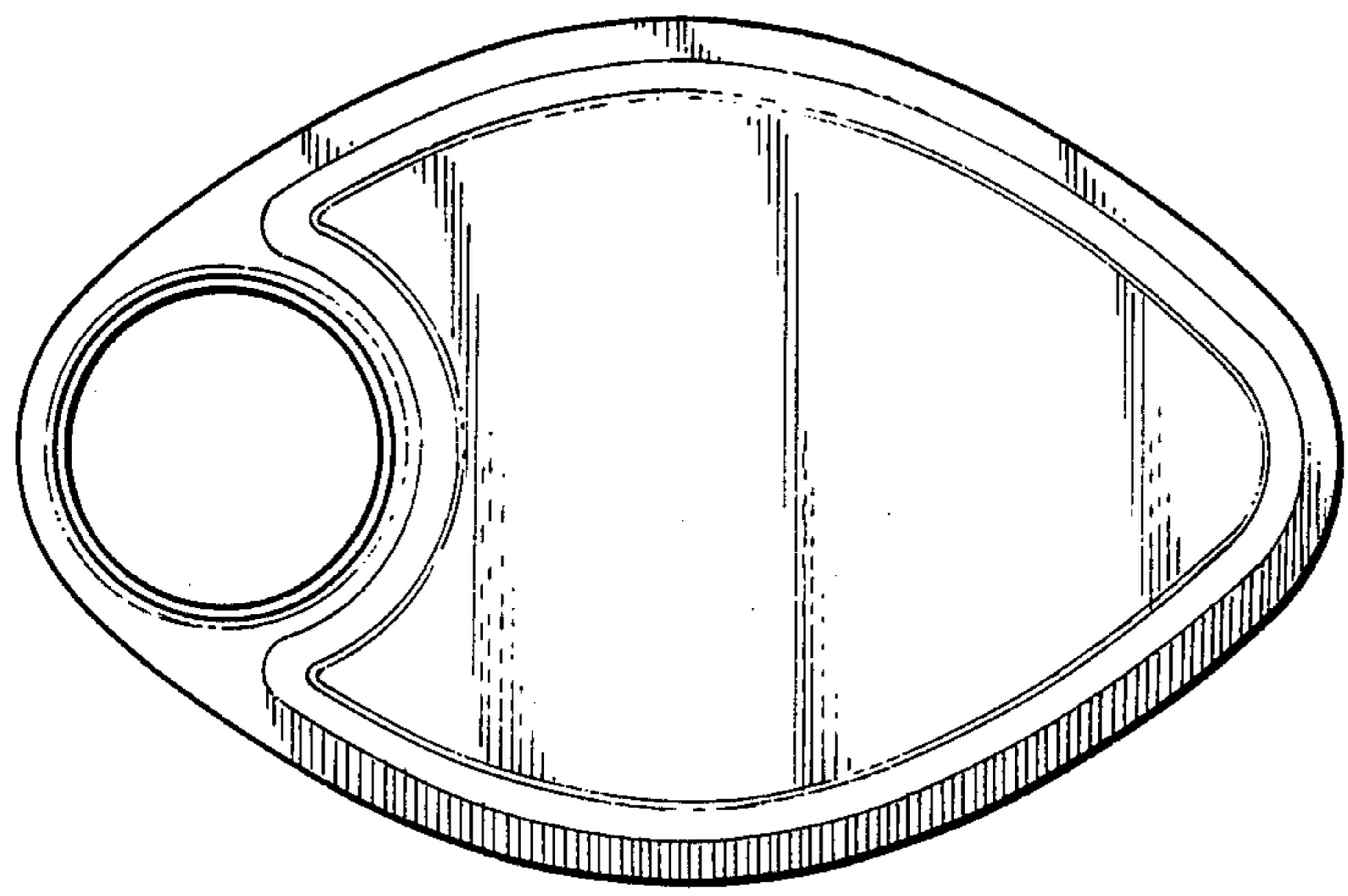
[57] CLAIM

The ornamental design for a combined tray and cup holder, as shown and described.

DESCRIPTION

- FIG. 1 is a top perspective view of a combined tray and cup holder showing my new ornamental design.
- FIG. 2 is a bottom view of FIG. 1.
- FIG. 3 is a rear elevational view of FIG. 1.
- FIG. 4 is a front elevational view of FIG. 1.
- FIG. 5 is a left side elevational view of FIG. 1.
- FIG. 6 is a right side elevational view of FIG. 1.

- [56] **References Cited**
- U.S. PATENT DOCUMENTS**
- D. 87,682 8/1932 Porter D7/38
- D. 119,736 4/1940 Brown D7/21
- D. 159,643 8/1950 Kelly et al. D7/38 X
- D. 256,201 8/1980 Ventura D7/38 X



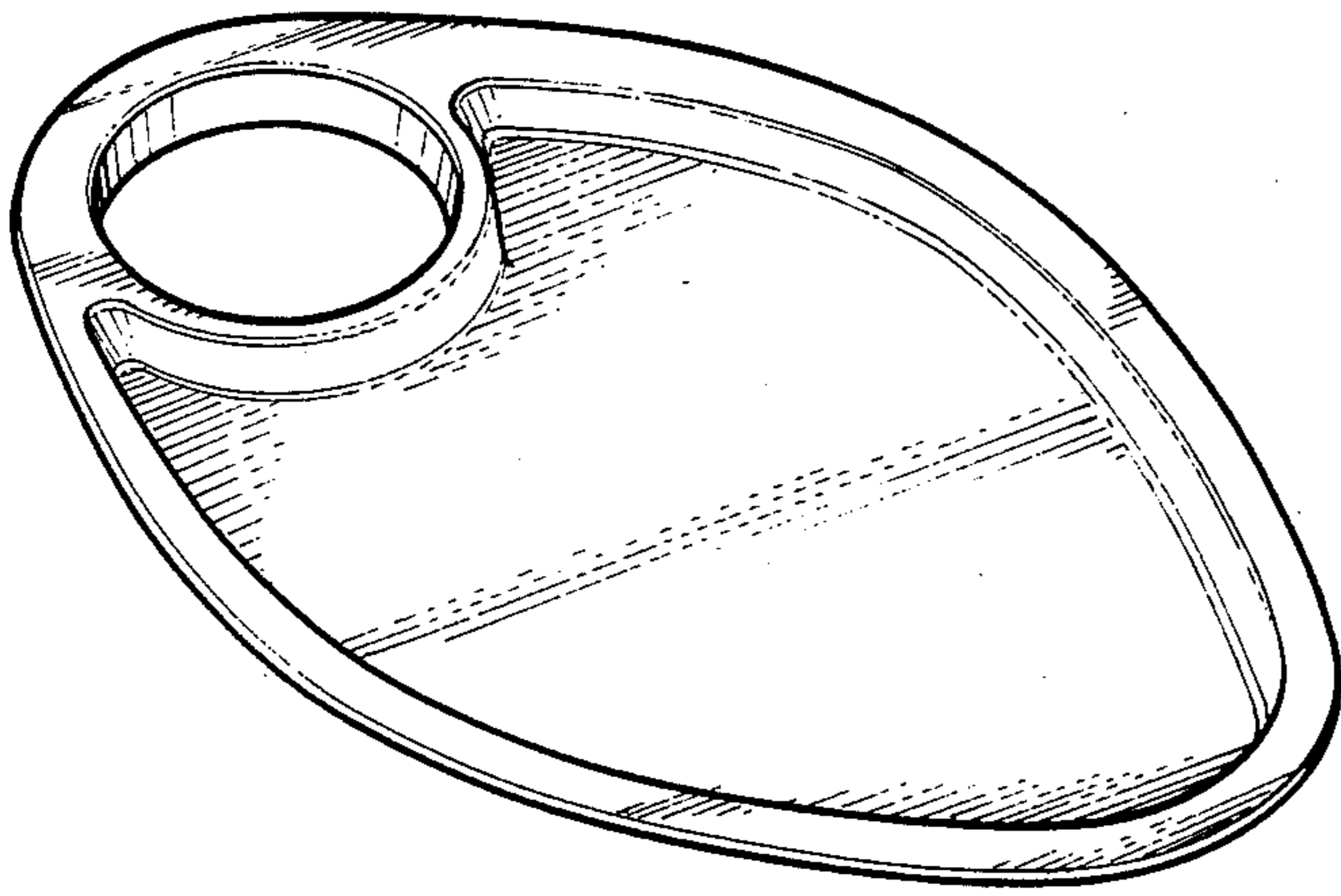


Fig-1

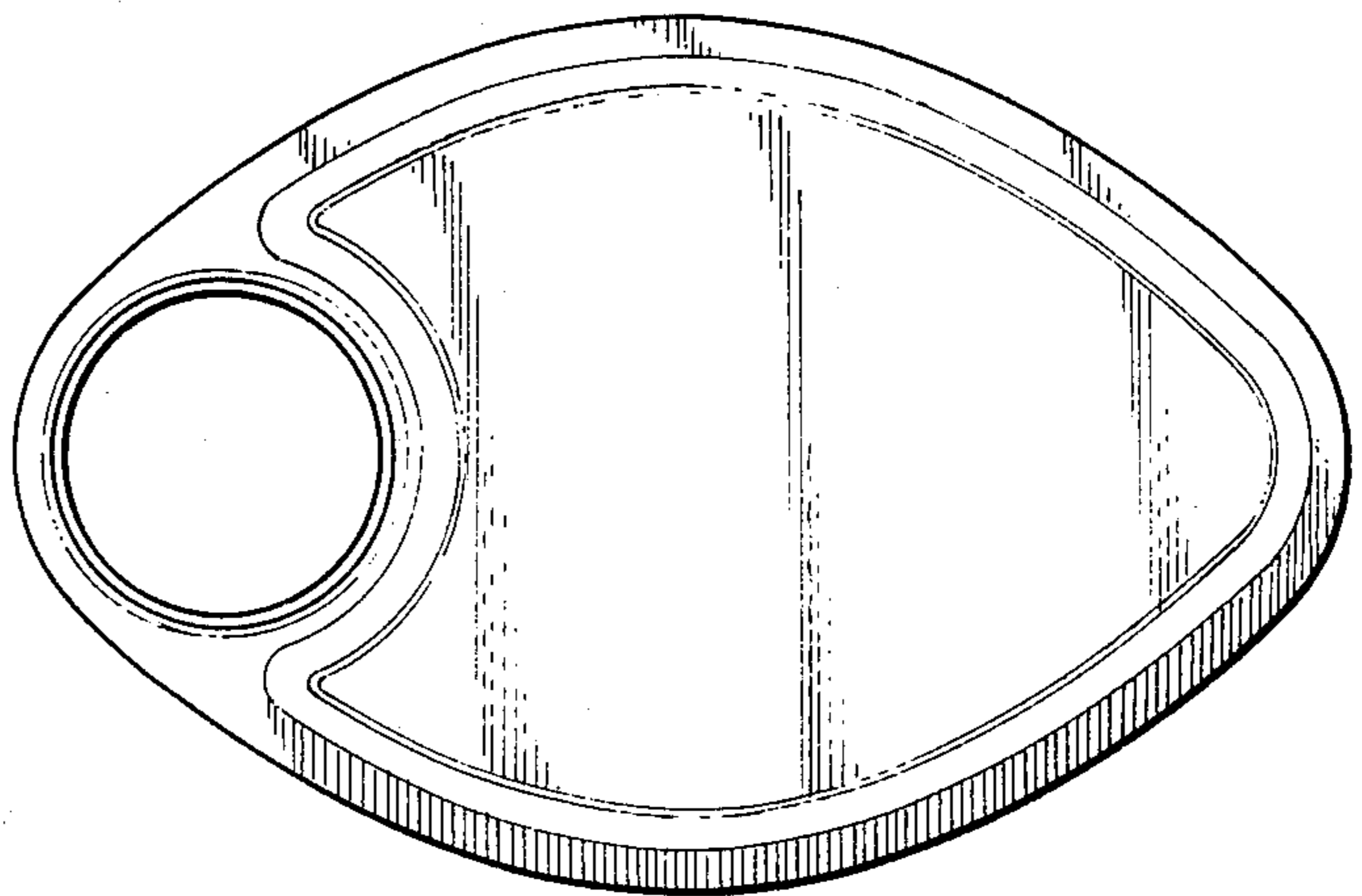


Fig-2

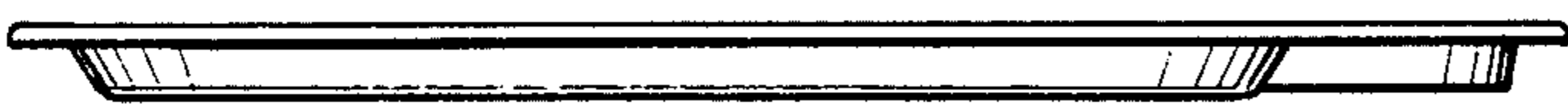


Fig-3

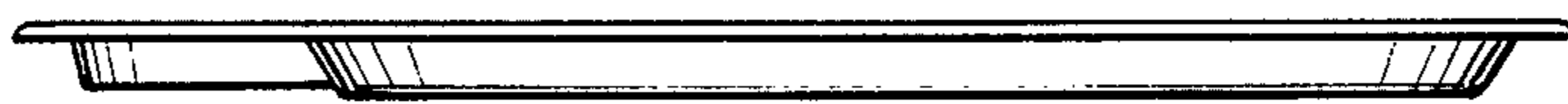


Fig-4



Fig-5

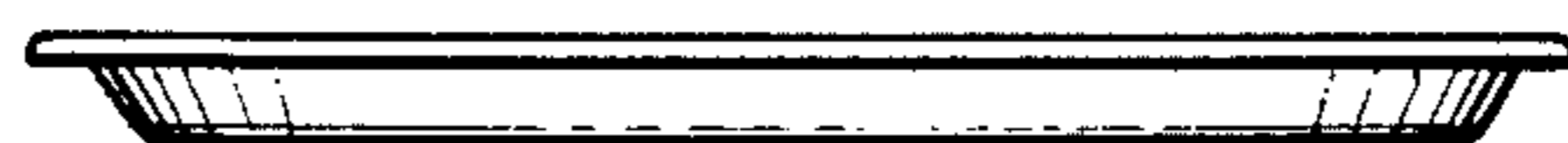


Fig-6