

[54] STORAGE RACK

DESCRIPTION

[76] Inventor: David M. Stravitz, 16 Park Ave.,
New York, N.Y. 10016

[**] Term: 14 Years

[21] Appl. No.: 769,869

[22] Filed: Aug. 27, 1985

[52] U.S. Cl. D6/407; D3/35

[58] Field of Search D6/407, 466, 467;
D3/35; 211/41; 206/387; 312/8, 12-15

FIG. 1 is a front elevational view of a storage rack showing my new design;
FIG. 2 is a rear elevational view thereof;
FIG. 3 is a right side elevational view, the left side being identical thereto;
FIG. 4 is a perspective view thereof;
FIG. 5 is a top plan view, the bottom view being identical thereto;
FIG. 6 is a front elevational view of a second embodiment of the storage rack shown in FIG. 1;
FIG. 7 is a rear elevational view thereof;
FIG. 8 is a right side elevational view, the left side being identical thereto;
FIG. 9 is a perspective view thereof;
FIG. 10 is a top plan view thereof;
FIG. 11 is a front elevational view of third embodiment of the storage rack shown in FIG. 1;
FIG. 12 is a rear elevational view thereof;
FIG. 13 is a right side elevational view, the left side being a mirror image thereof;
FIG. 14 is a top plan view thereof;
FIG. 15 is a partial sectional front elevational view thereof;
FIG. 16 is a partial-sectional top plan view;
FIG. 17 is a front elevational view of a fourth embodiment of the storage rack shown in FIG. 1; the side elevational views being identical to FIG. 8; and
FIG. 18 is a rear elevational view thereof, the top and bottom plan views being identical to FIG. 10.

[56] References Cited

U.S. PATENT DOCUMENTS

- D. 260,457 9/1981 Rumble D3/35
- D. 276,574 12/1984 Ackeret D6/407
- D. 278,112 3/1985 Stanton D6/407

OTHER PUBLICATIONS

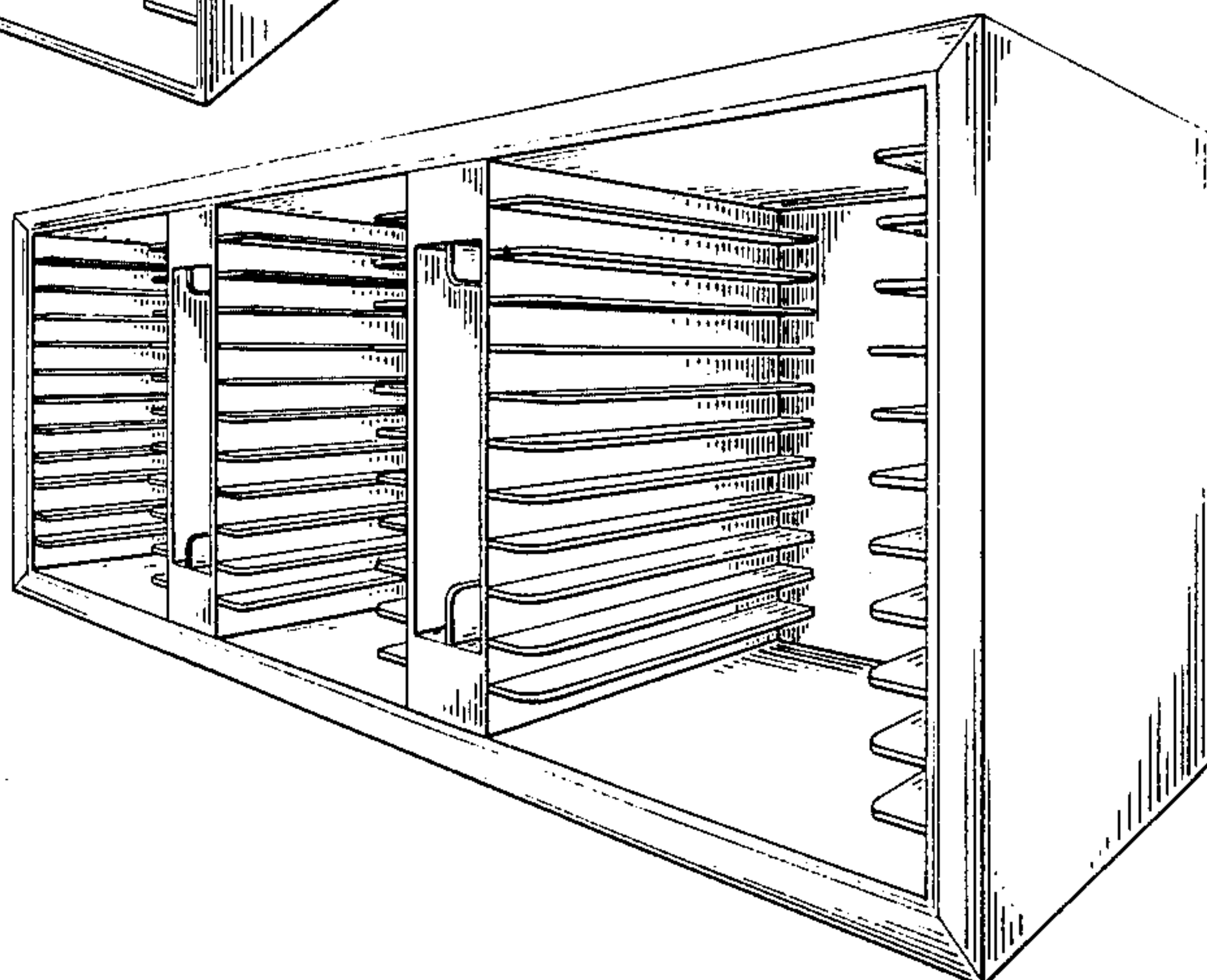
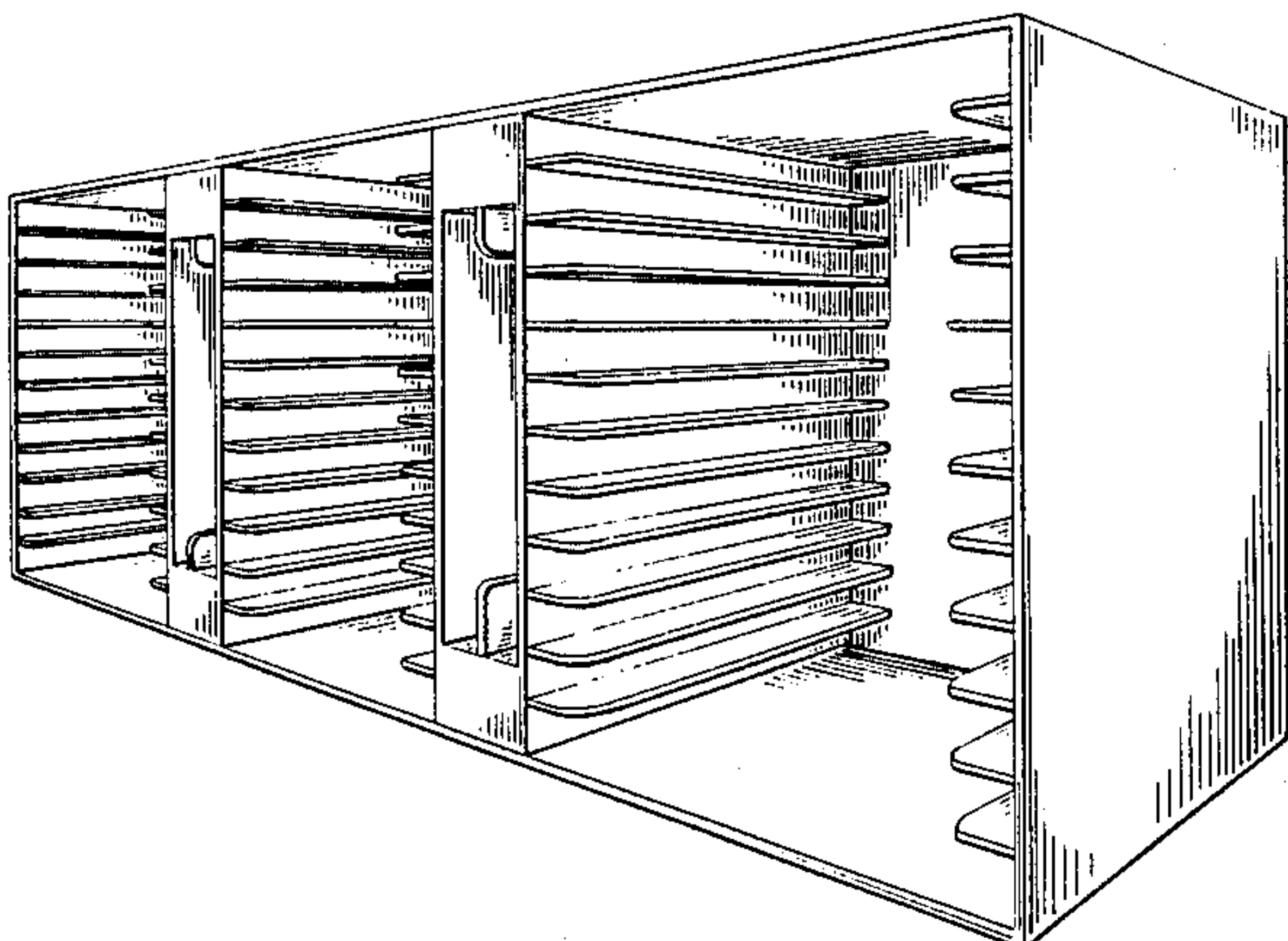
Best, 1980/81, p. 358; Tape-Storage center item C, top right on page.

Best, 1983/84, p. 380; Modular Cartridge Library, item #7, center right on page.

Primary Examiner—Carmen H. Vales
Attorney, Agent, or Firm—Frishauf, Holtz, Goodman & Woodward

[57] CLAIM

The ornamental design for a storage rack, as shown and described.



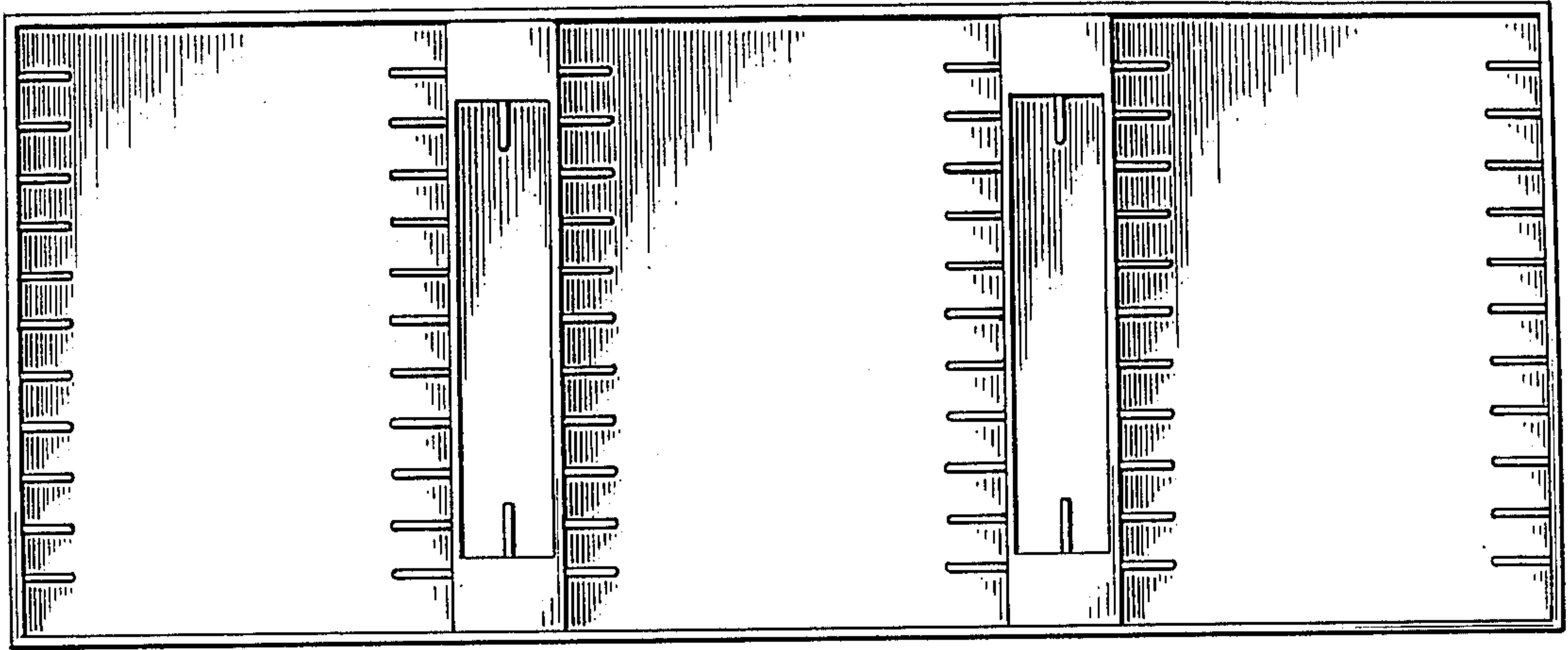


FIG. 1

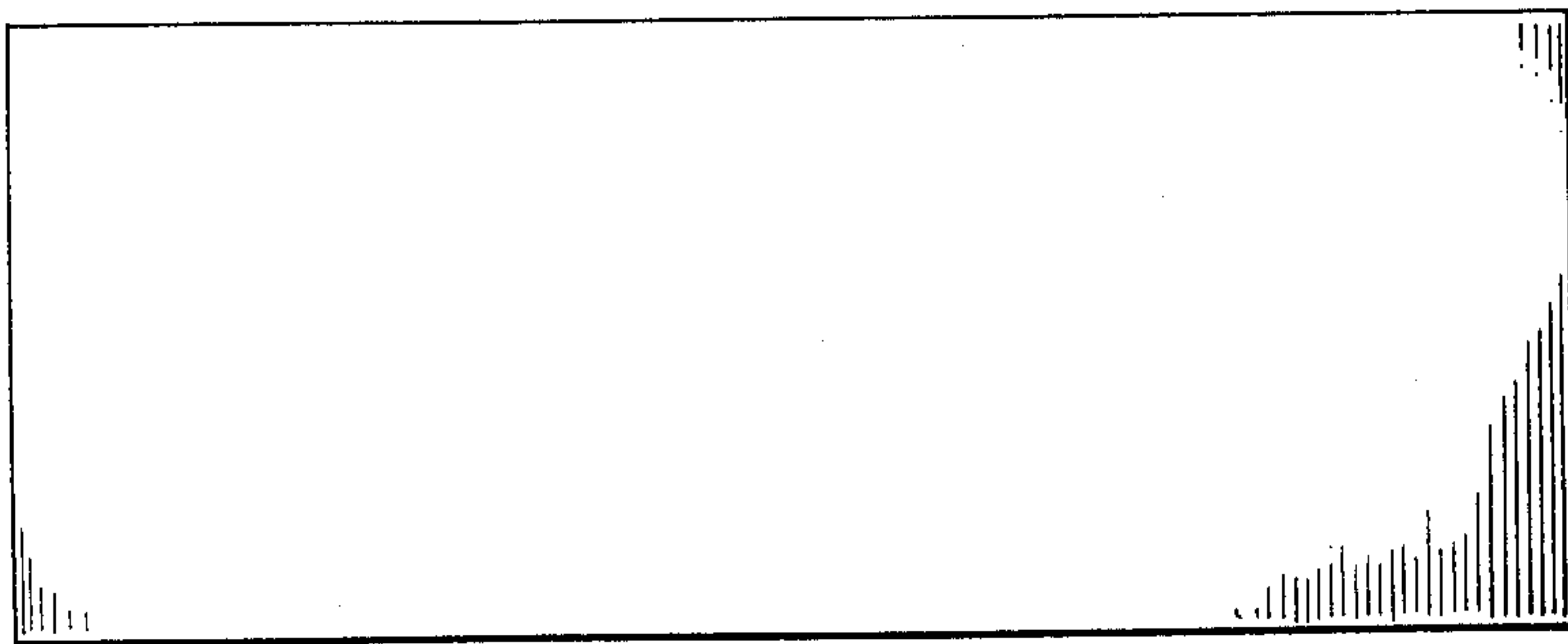


FIG. 2

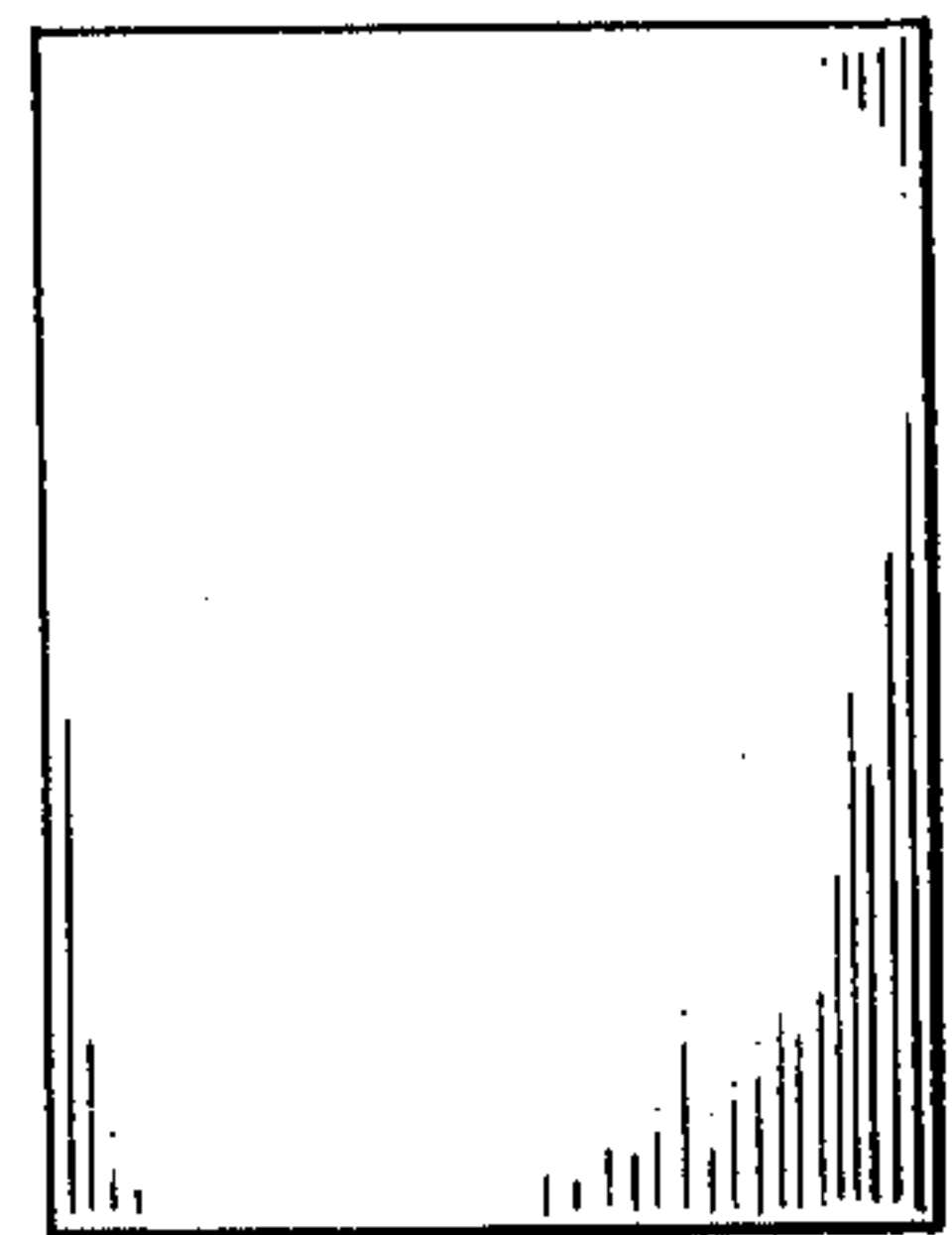


FIG. 3

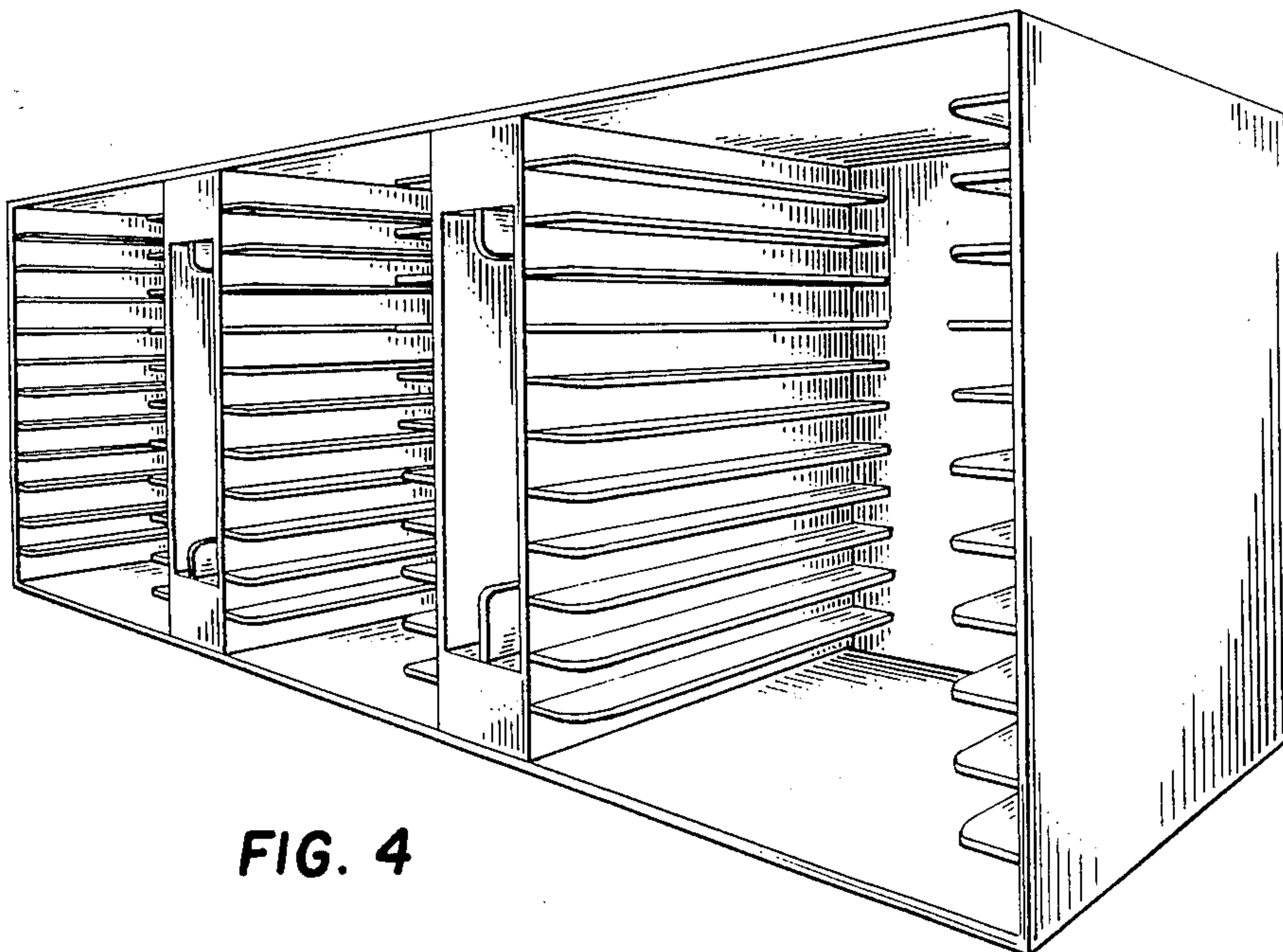


FIG. 4

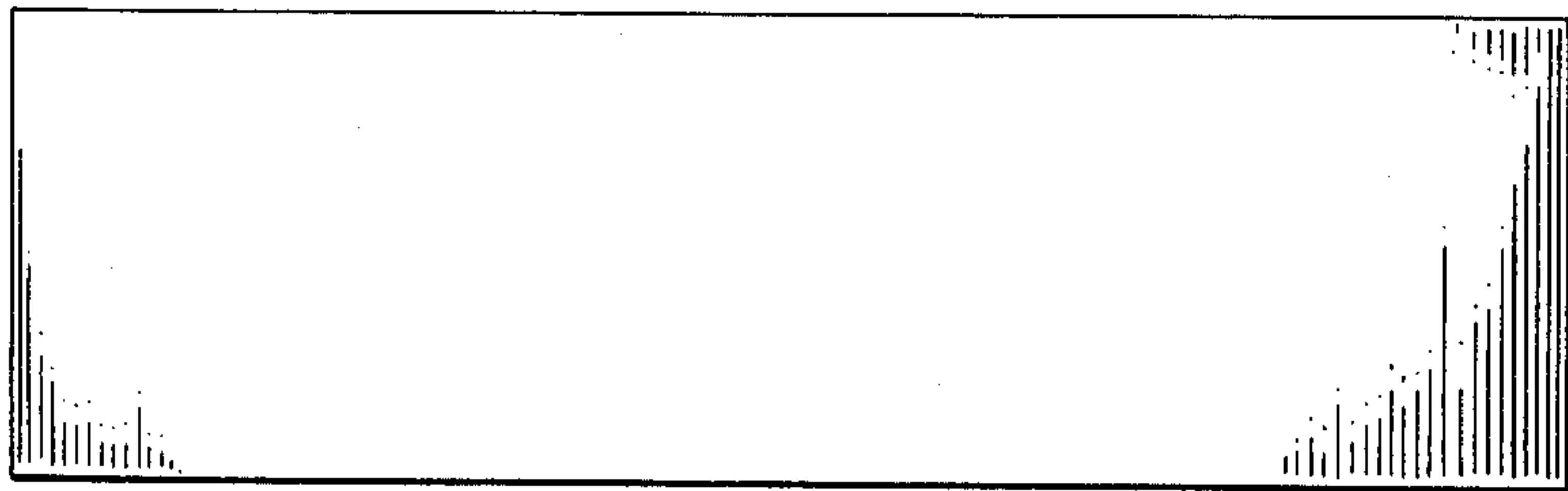
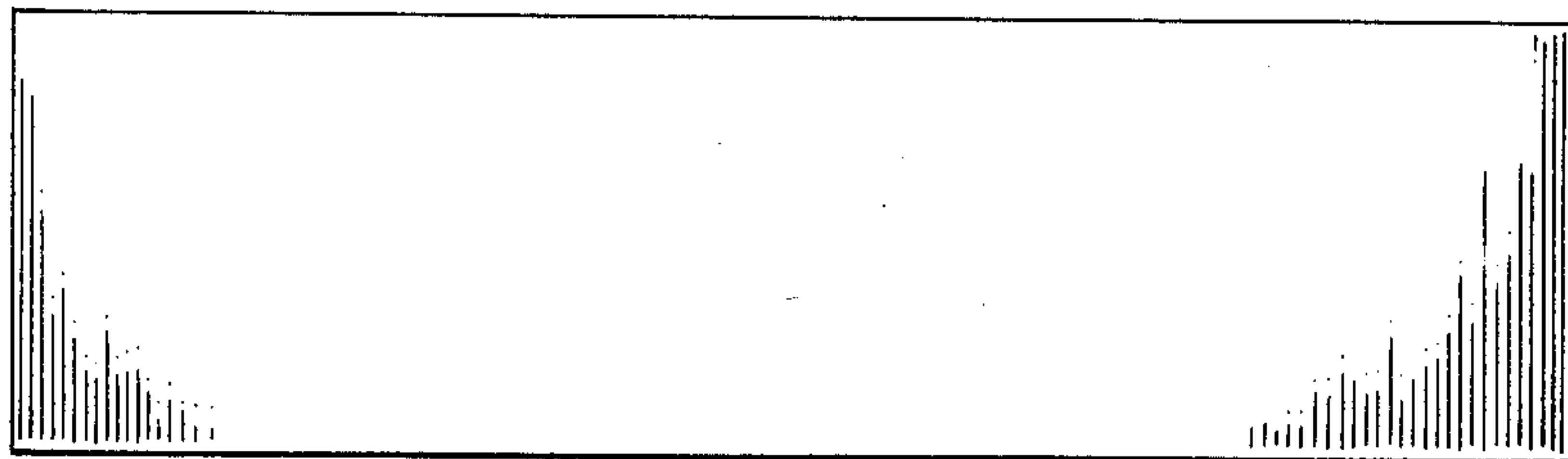


FIG. 5

FIG. 10



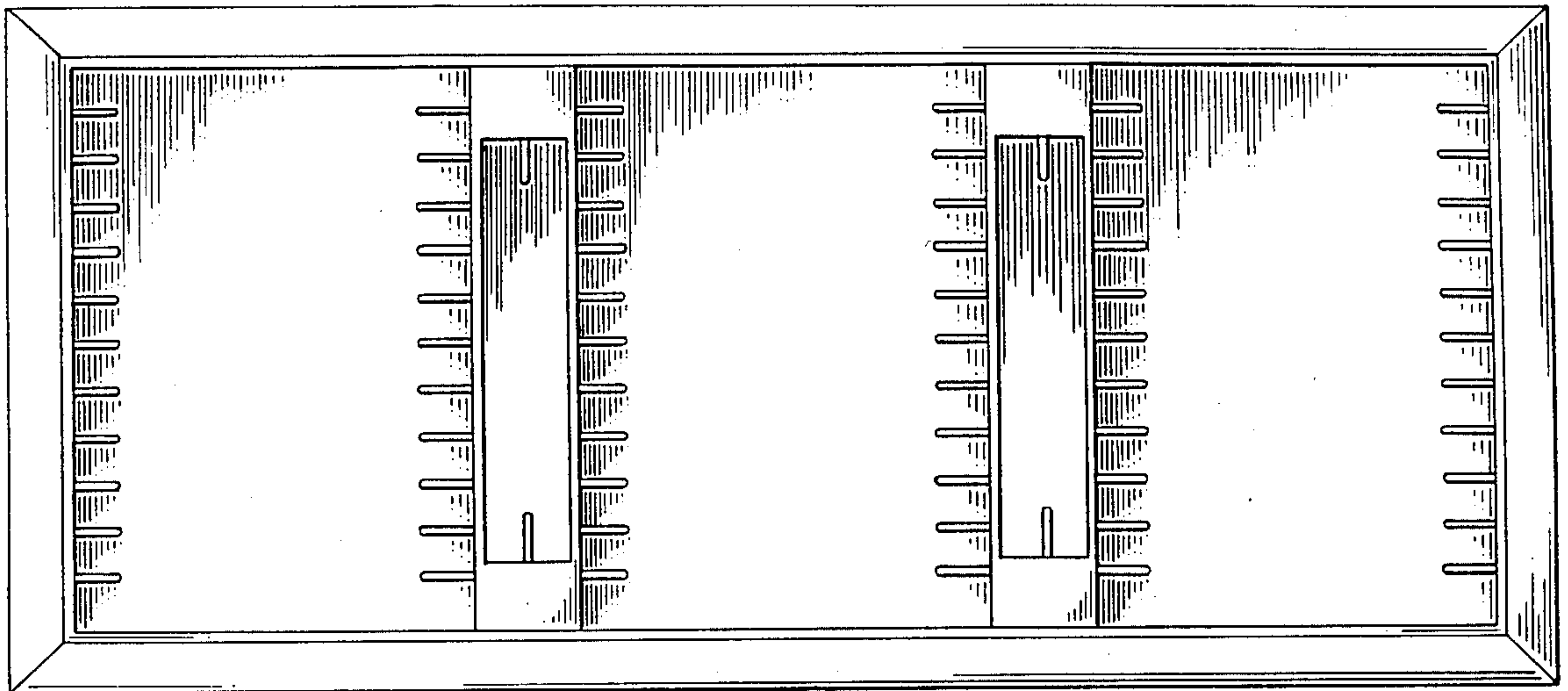


FIG. 6

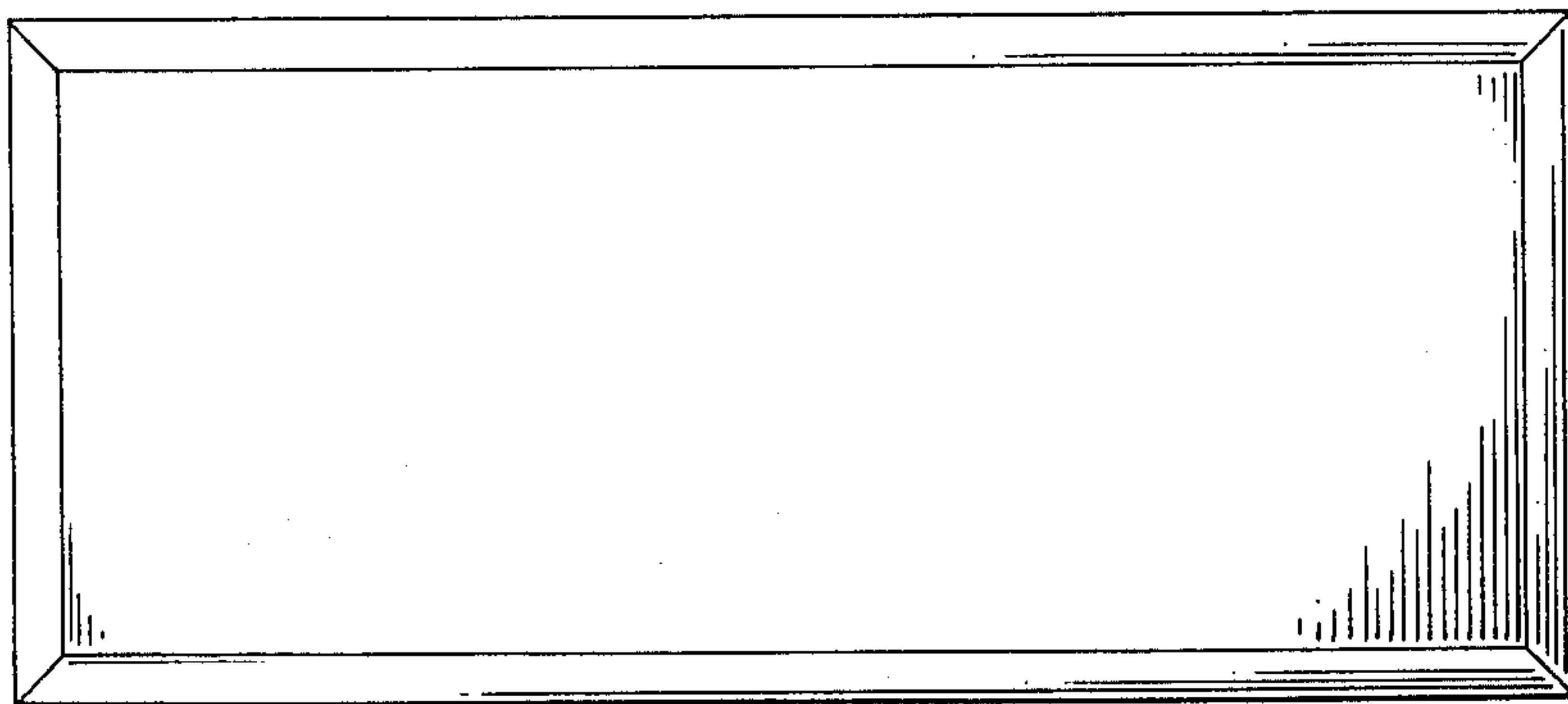


FIG. 7

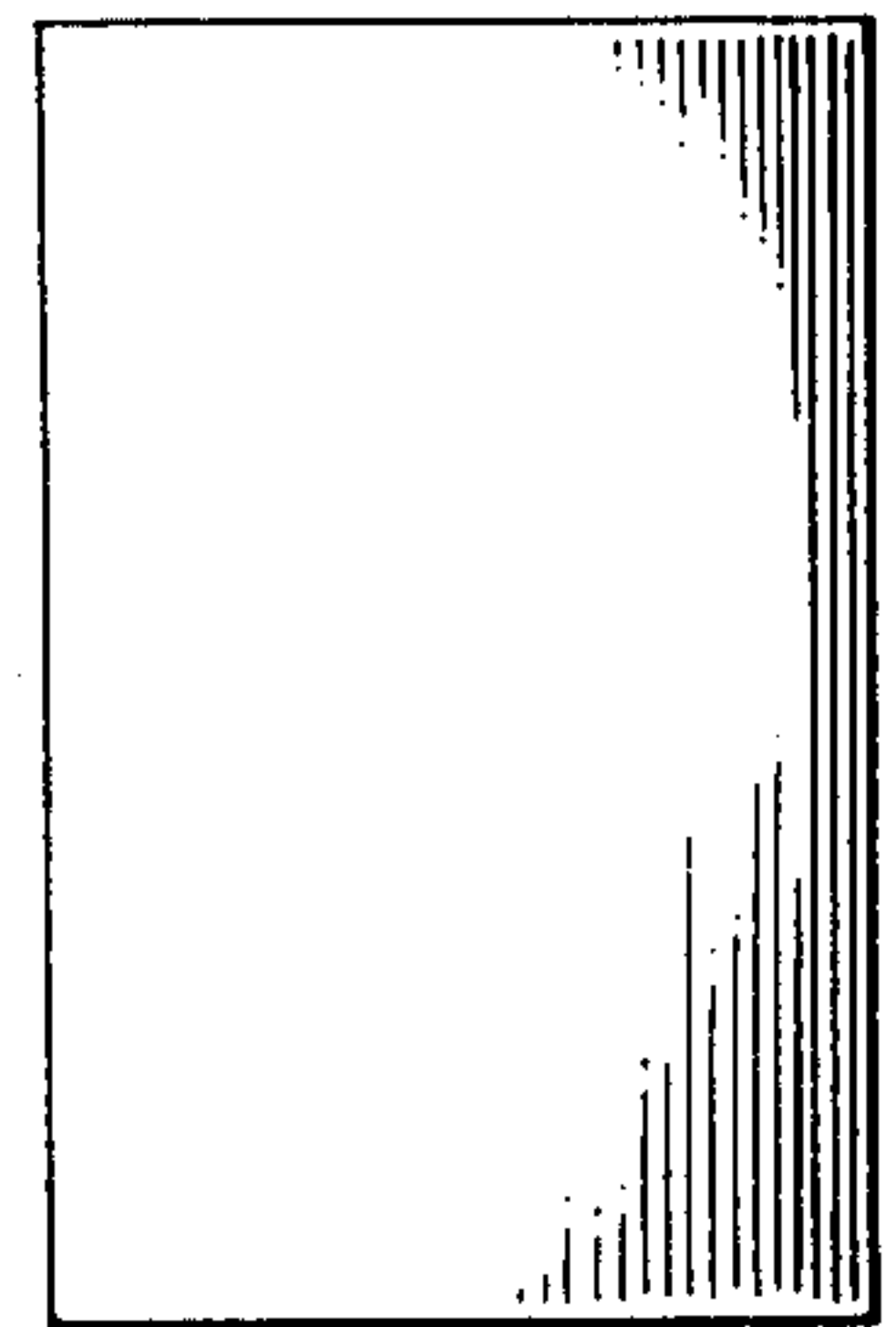


FIG. 8

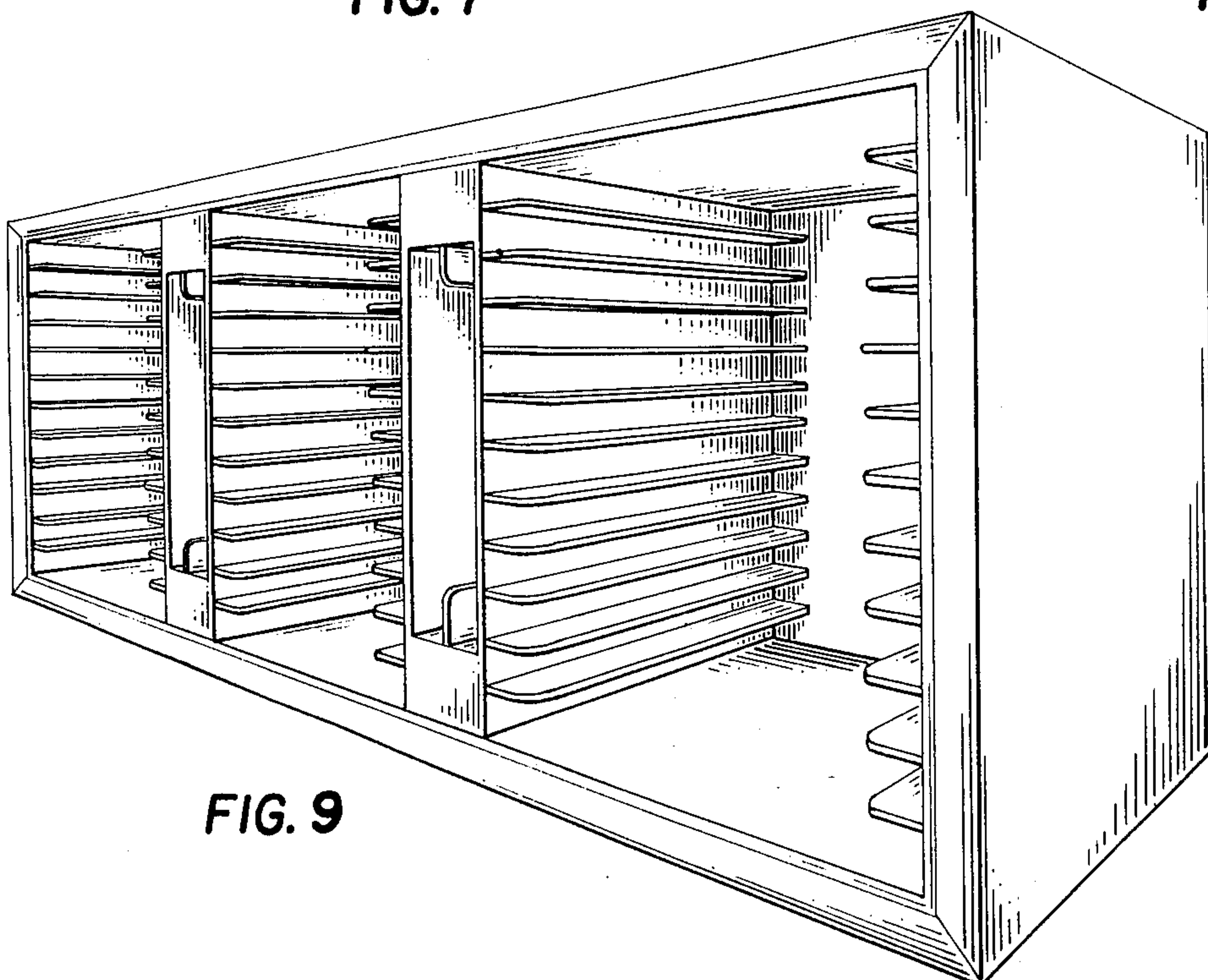


FIG. 9

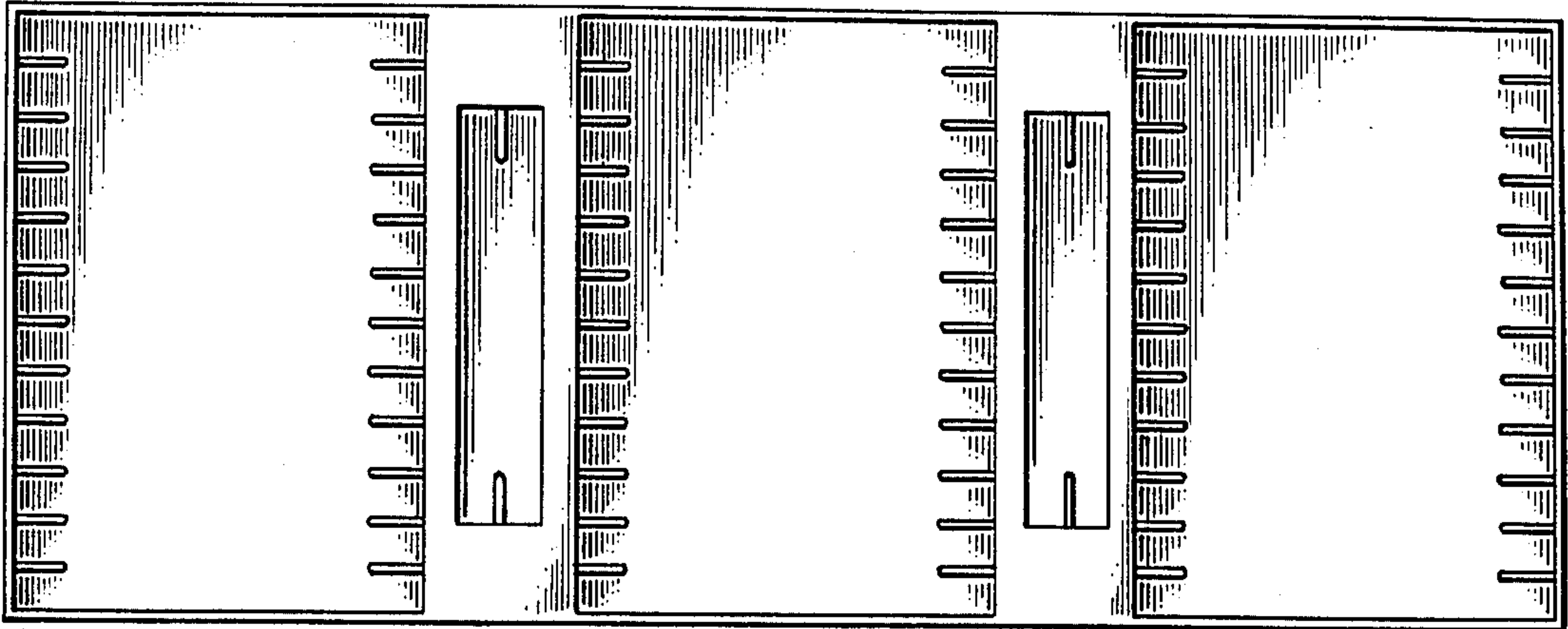


FIG. 11

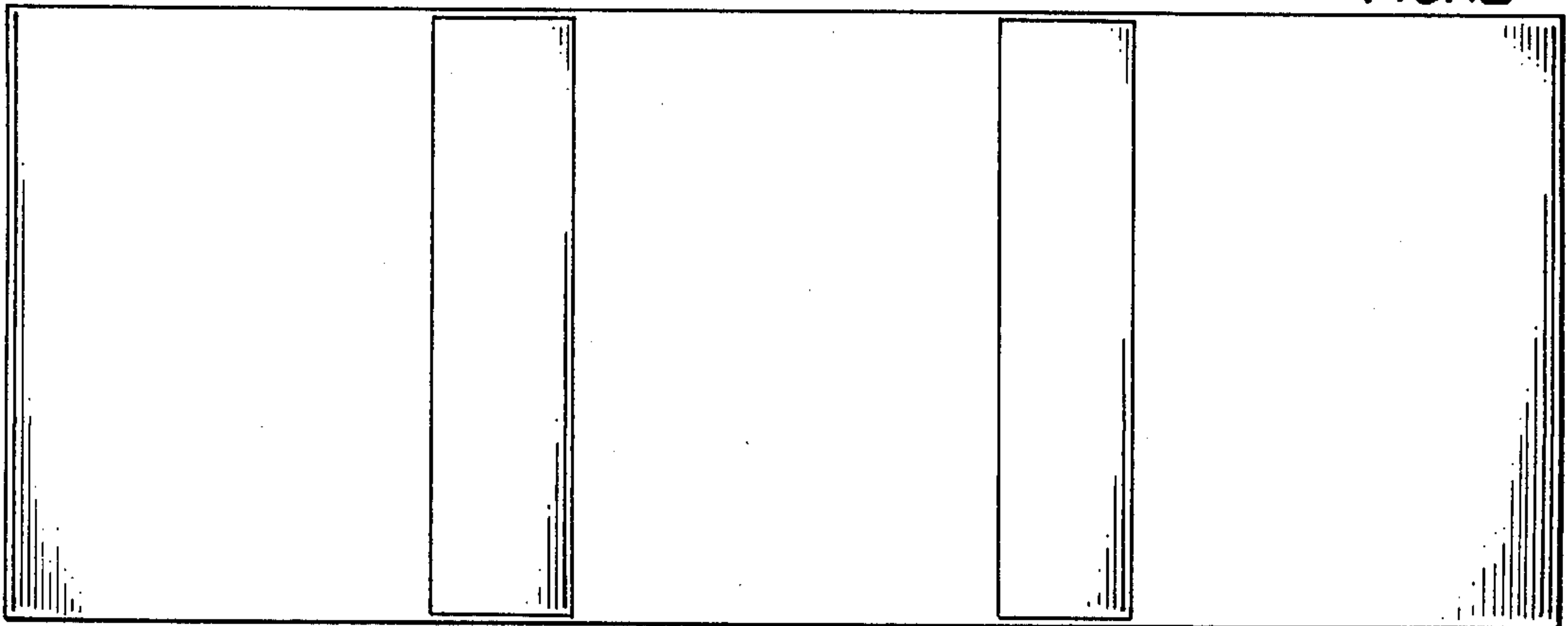


FIG. 12

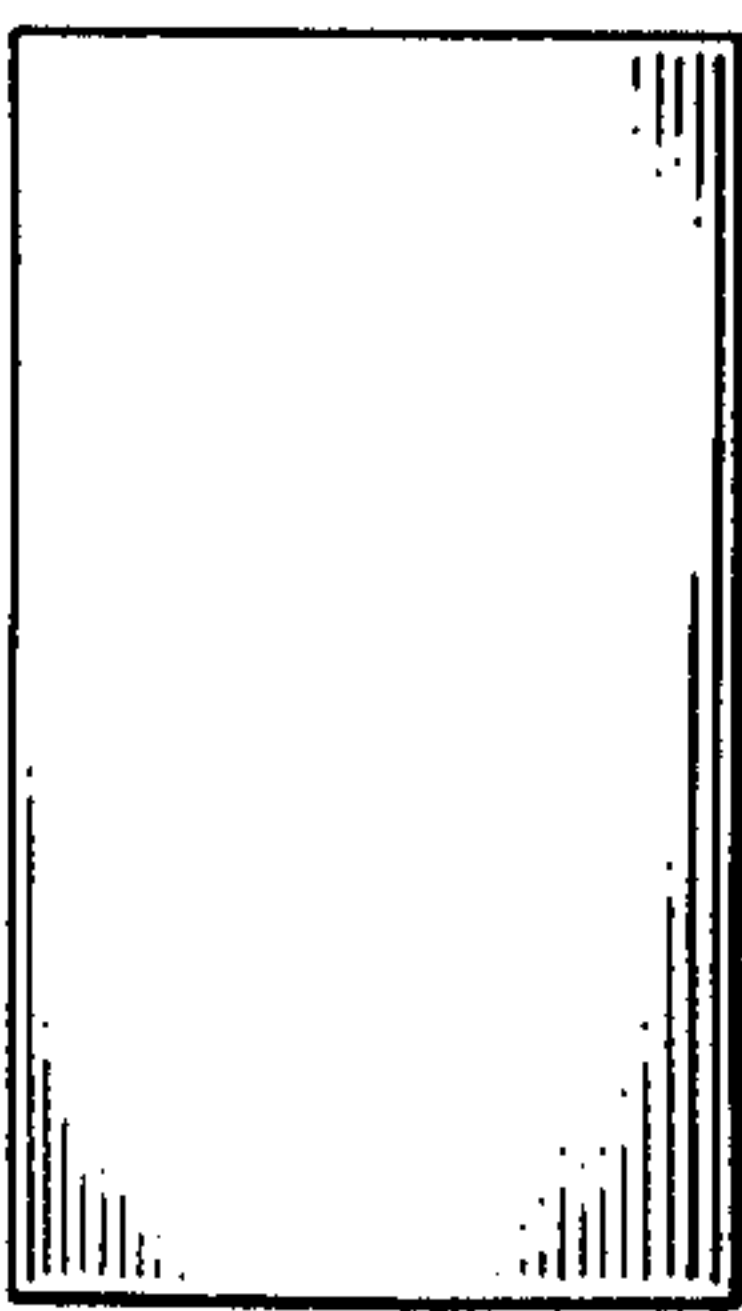


FIG. 13

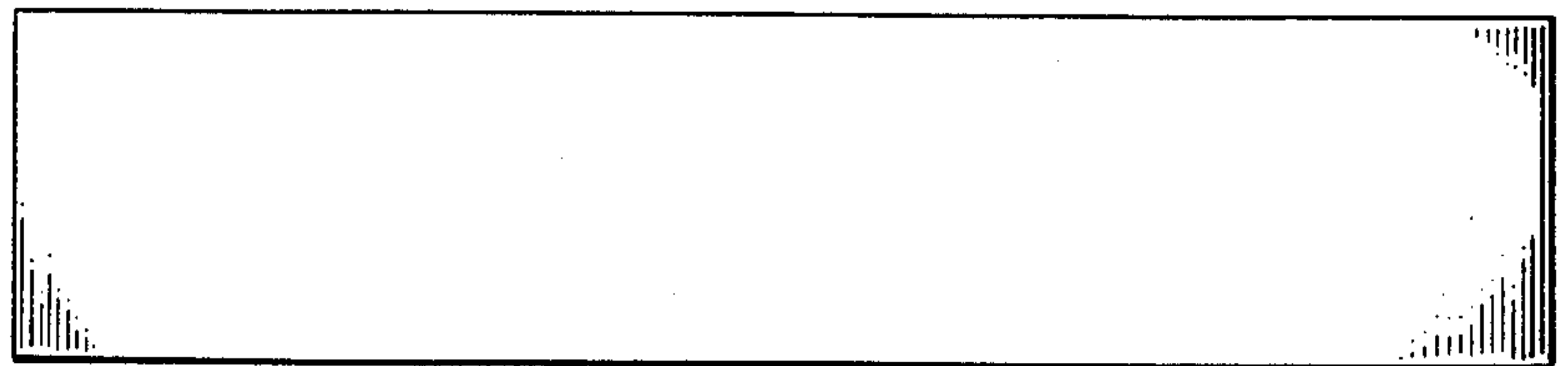


FIG. 14

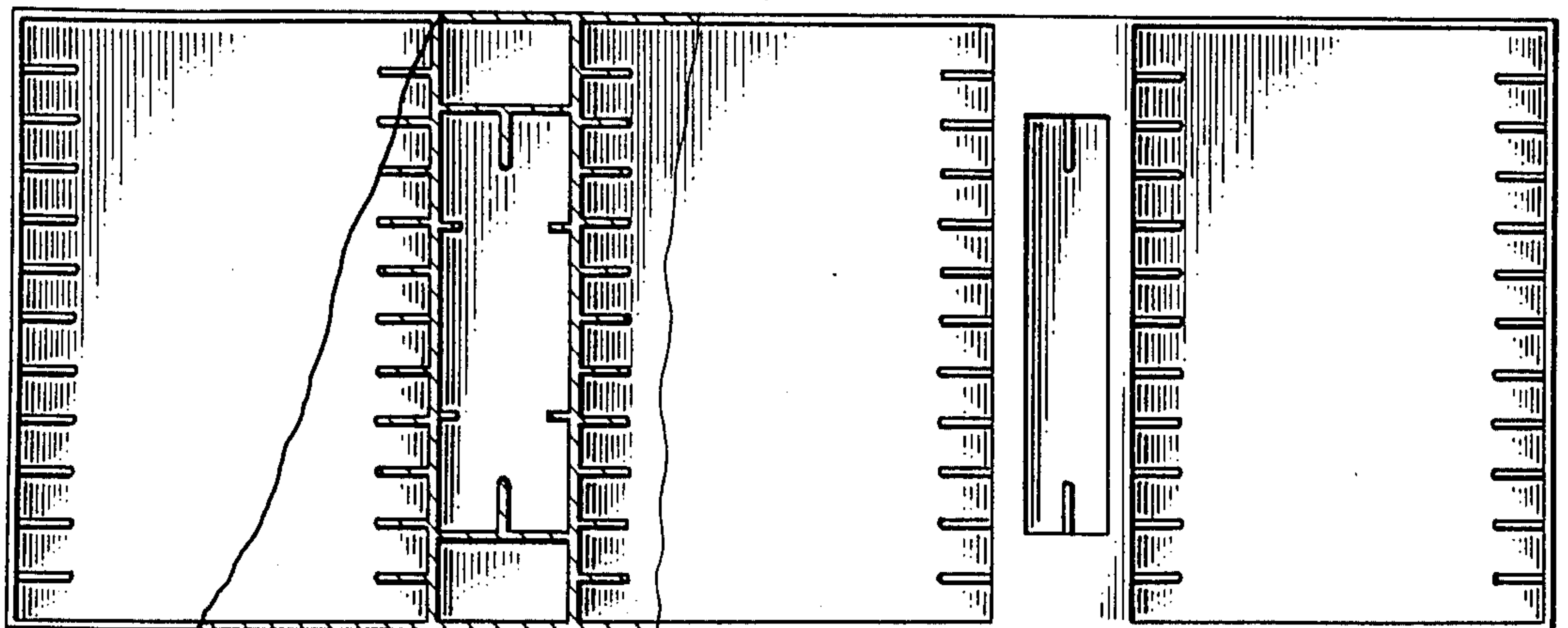


FIG. 15

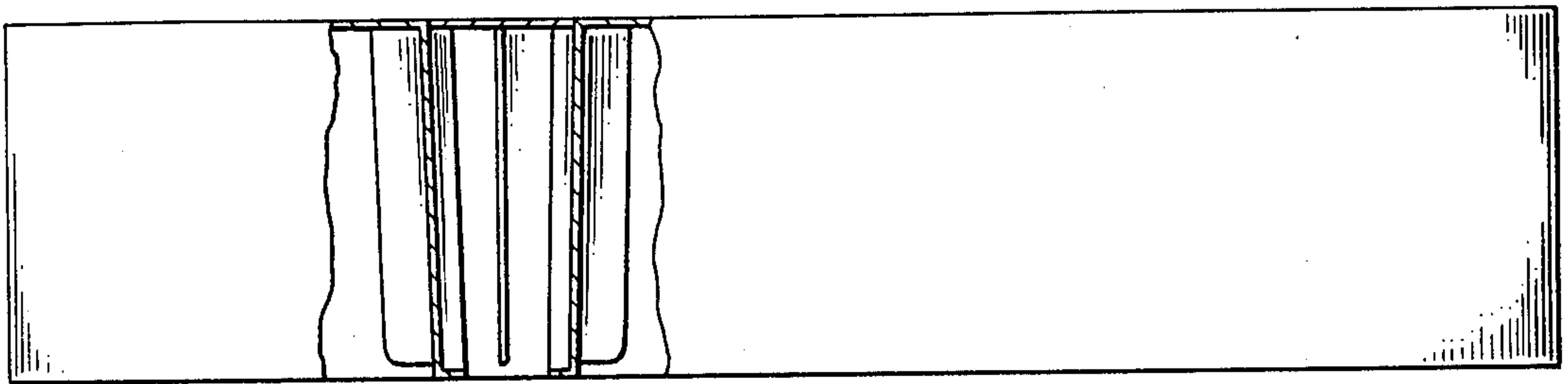


FIG. 16

FIG. 17

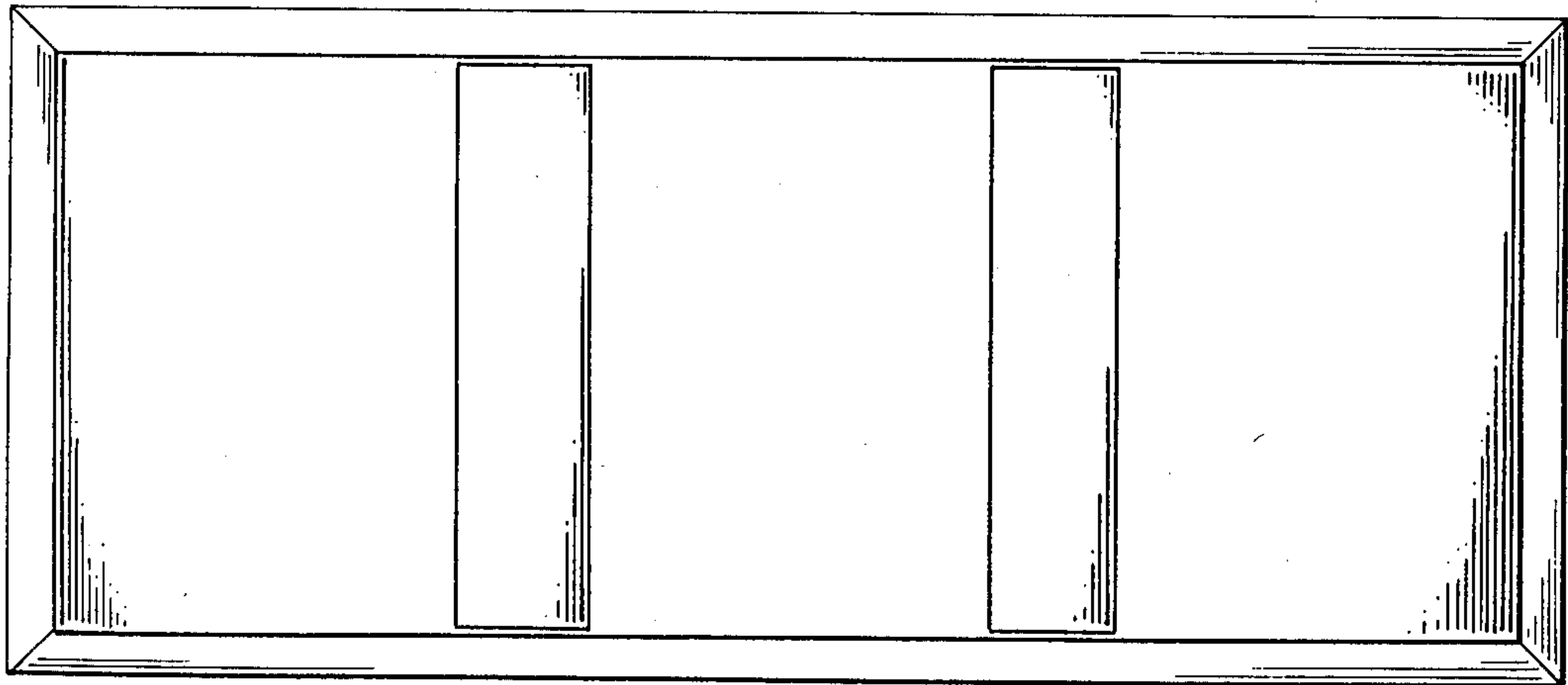
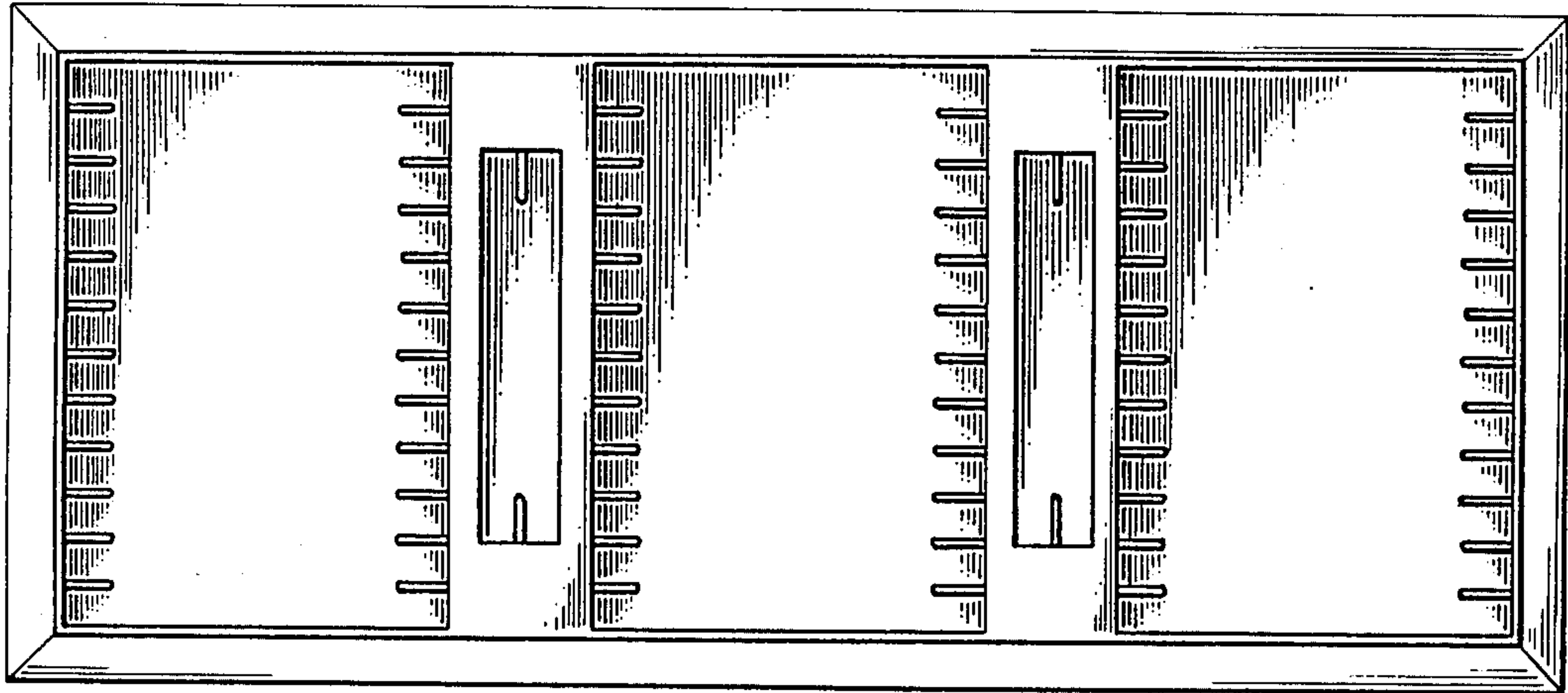


FIG. 18