

[54] **DISPOSABLE PATIENT FLUID IRRADIATION CHAMBER**

[75] **Inventors: Kyu H. Lee, King of Prussia, Pa.;
Vernon H. Troutner, St. Petersburg;
Jack Goss, Clearwater, both of Fla.**

[73] **Assignee: McNeilab, Inc., Spring House, Pa.**

[**] **Term: 14 Years**

[21] **Appl. No.: 836,618**

[22] **Filed: Feb. 27, 1986**

[52] **U.S. Cl. D24/51; D24/56**

[58] **Field of Search D24/51, 58, 54, 56;
604/4, 5, 6, 20, 403**

[56] **References Cited**

U.S. PATENT DOCUMENTS

4,316,576 2/1982 Cullis et al. 604/6 X

Primary Examiner—Wallace R. Burke

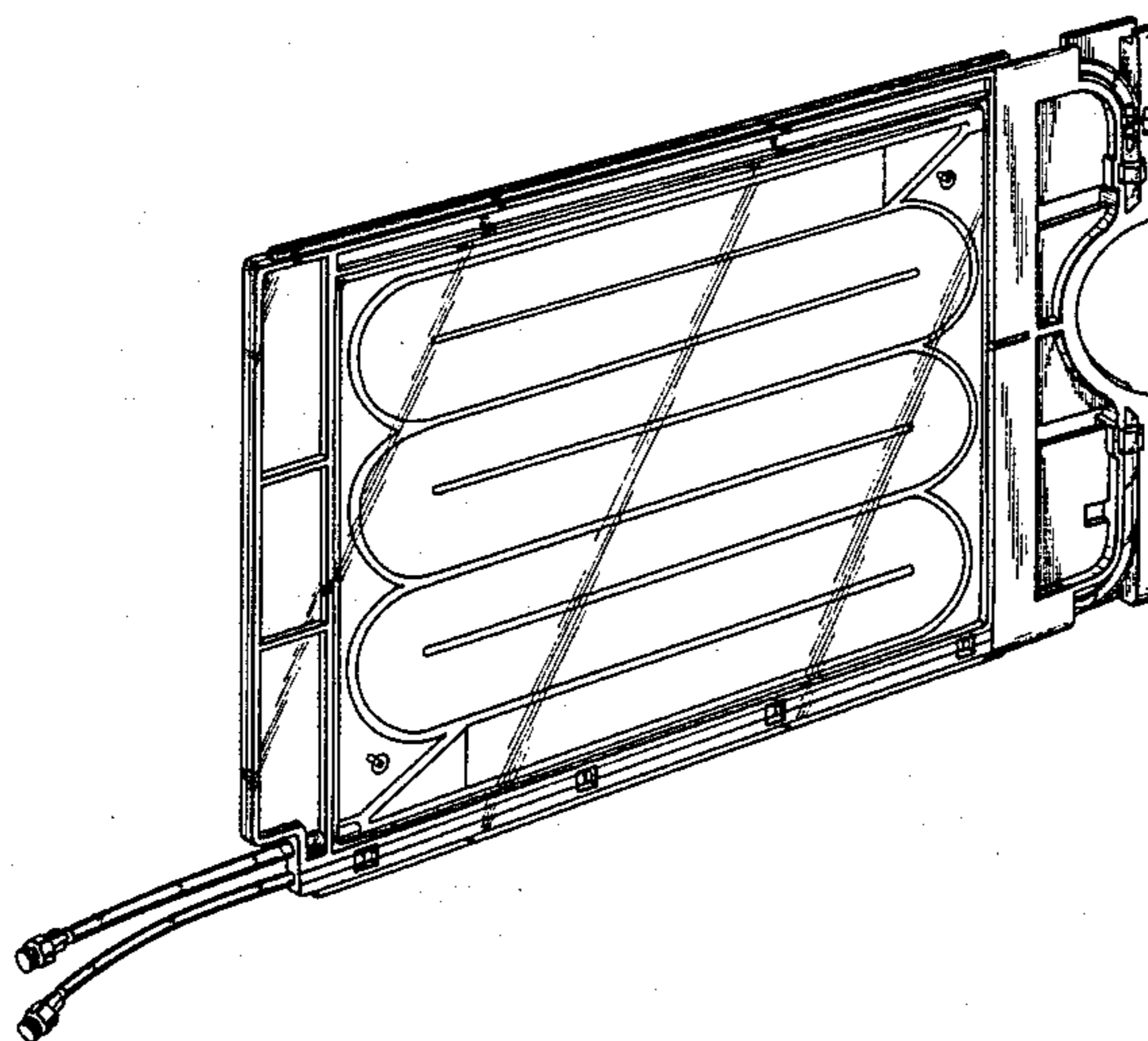
Assistant Examiner—Stella M. Reid

[57] **CLAIM**

The ornamental design for a disposable patient fluid irradiation chamber, as shown.

DESCRIPTION

FIG. 1 is a perspective view of a disposable patient fluid irradiation chamber, showing our new design;
FIG. 2 is a front elevational view thereof;
FIG. 3 is a rear elevational view thereof;
FIG. 4 is a left side elevational view thereof;
FIG. 5 is a right side elevational view thereof;
FIG. 6 is a top plan view thereof; and
FIG. 7 is a bottom plan view thereof.



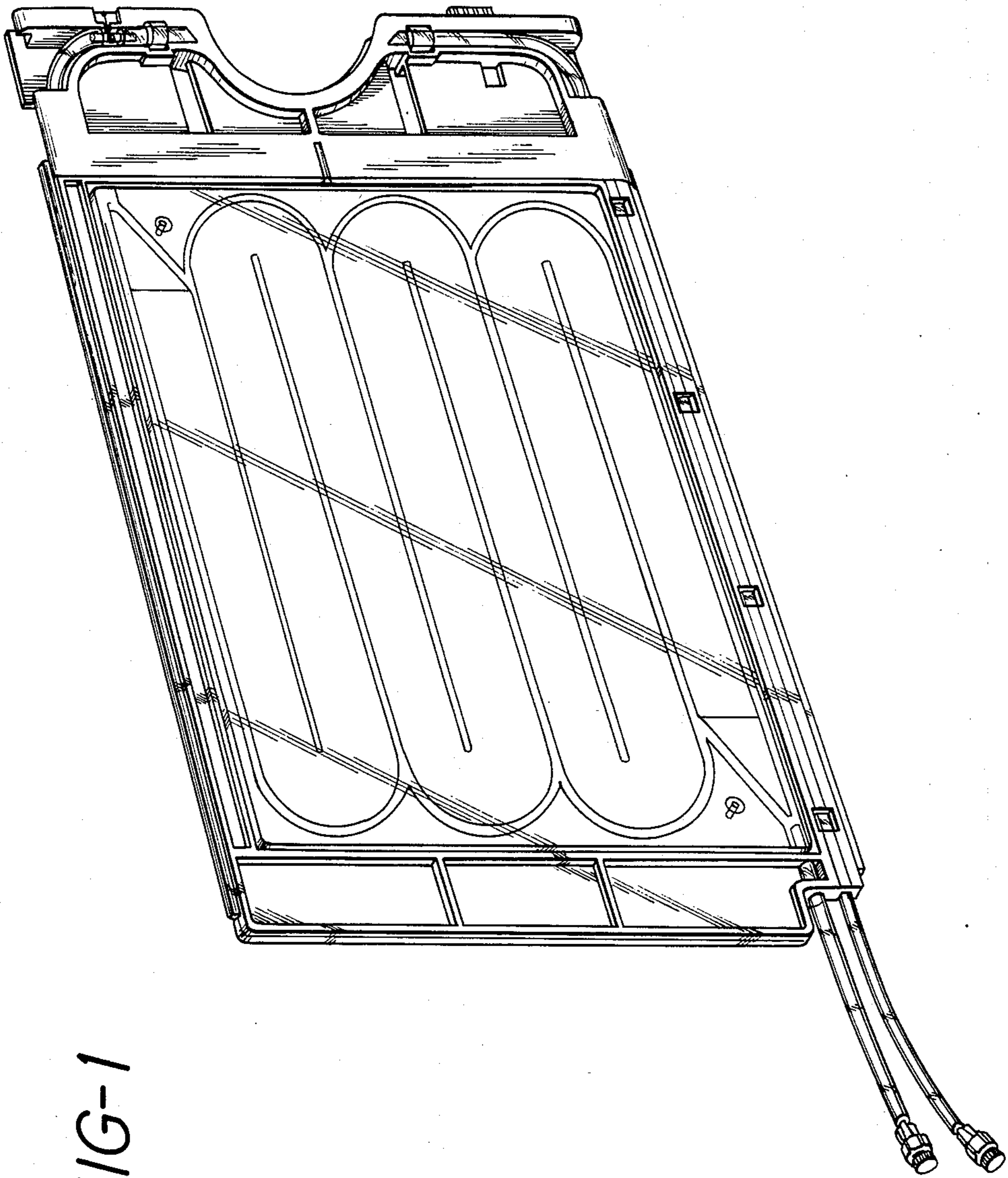


FIG-1

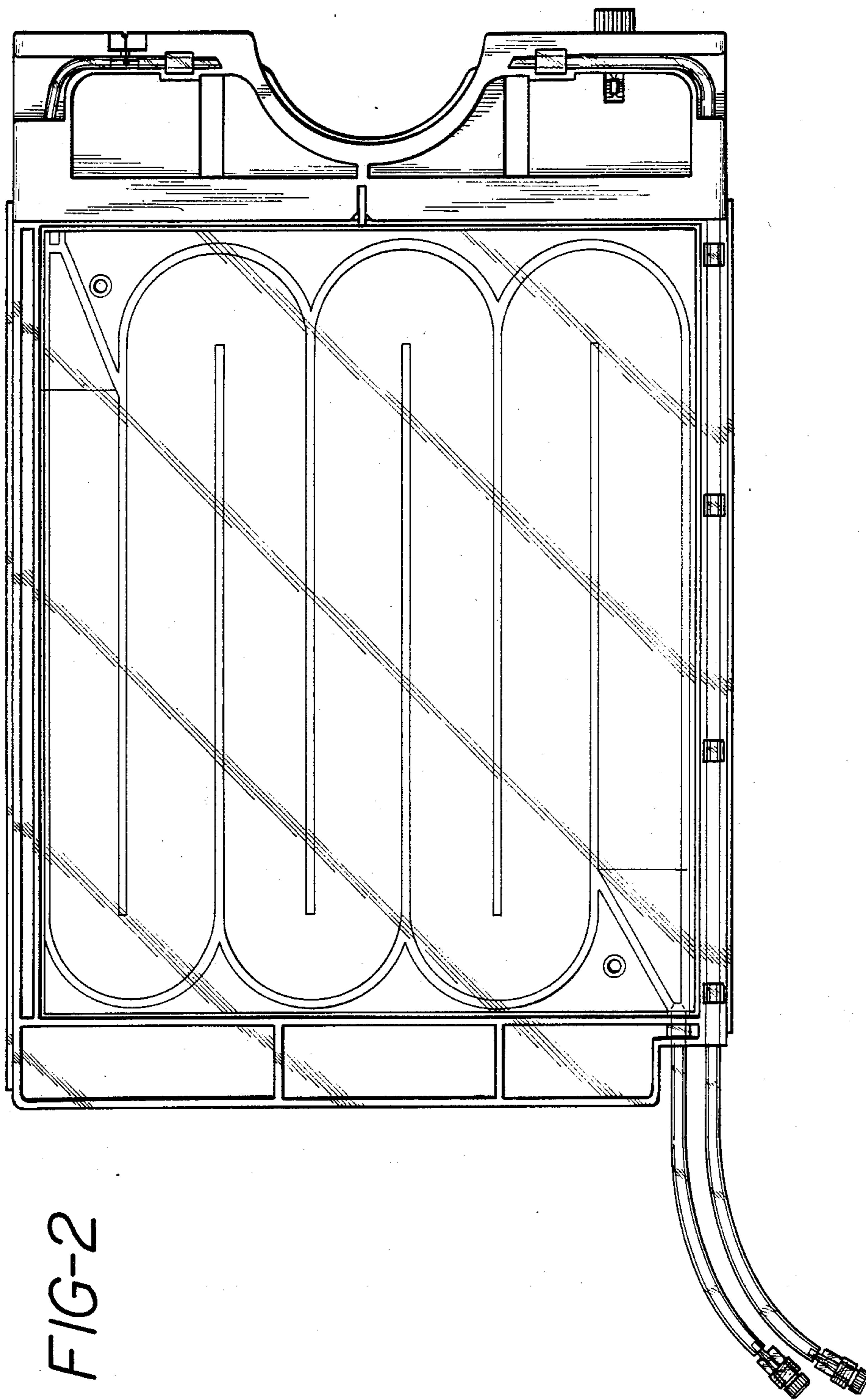


FIG-2

FIG-3

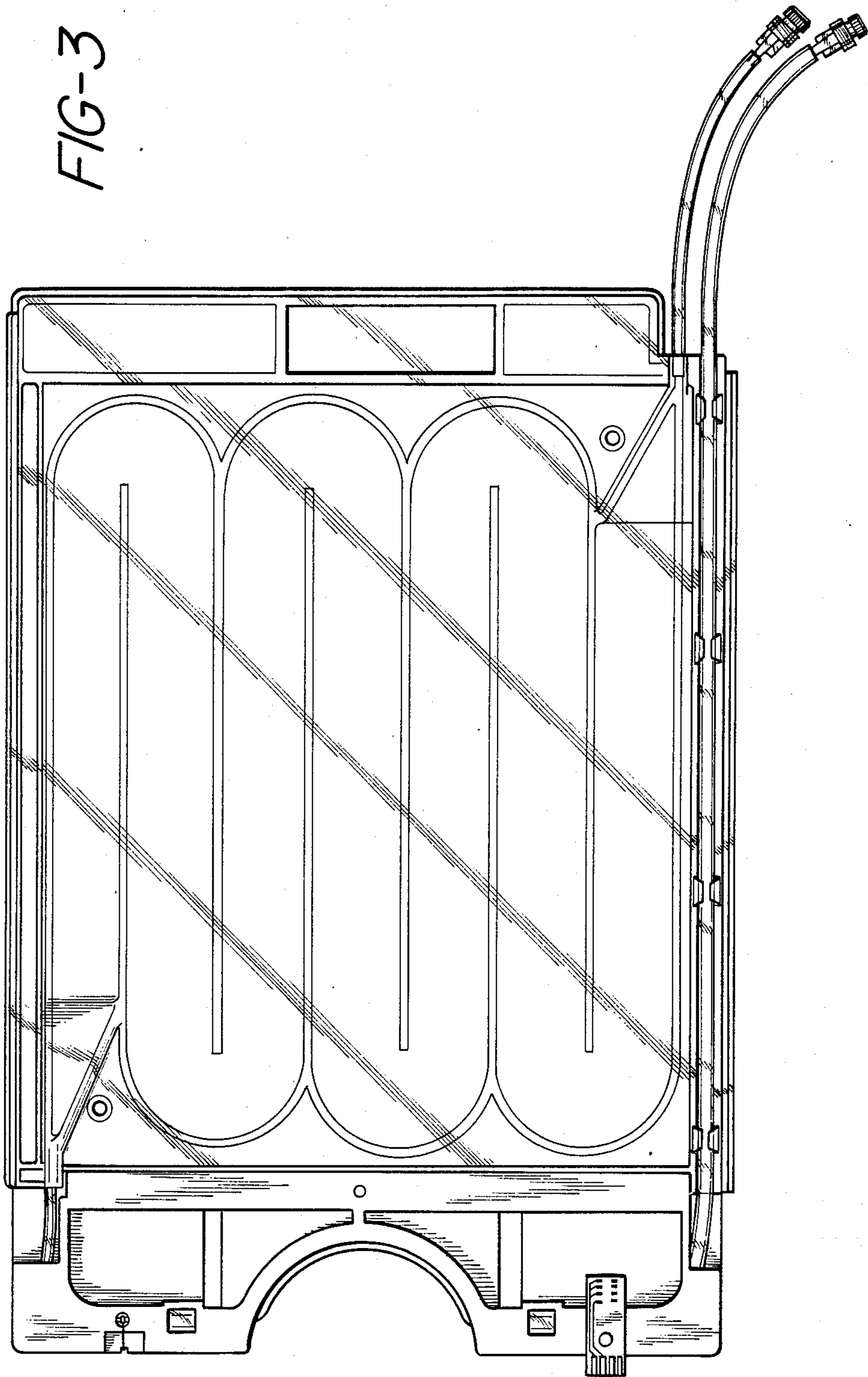


FIG-5

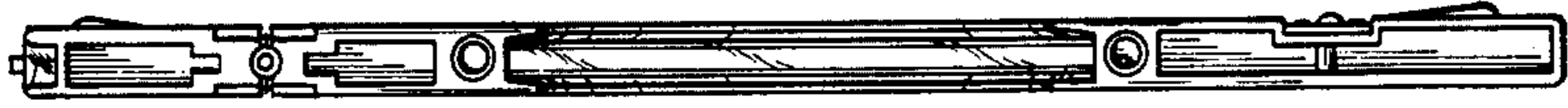


FIG-6



FIG-7



FIG-4

