

[54] HOUSING FOR A DENTAL PROPHYLAXIS UNIT

[75] Inventor: Pierre Mabille, Le Sentier, Switzerland

[73] Assignee: EMS S.A. Electro Medical Systems, Switzerland

[**] Term: 14 Years

[21] Appl. No.: 850,907

[22] Filed: Apr. 8, 1986

[30] Foreign Application Priority Data

Oct. 8, 1985 [DE] Fed. Rep. of Germany URA1256/85MR24

[52] U.S. Cl. D24/4

[58] Field of Search D24/4-5, D24/10-16; 433/25, 27-28, 49-53, 77-79, 82, 108, 98

[56] References Cited

U.S. PATENT DOCUMENTS

D. 282,485	2/1986	Bühner	D24/5
D. 288,122	2/1987	McGaha et al.	D24/5
D. 292,734	11/1987	Ryder	D24/10
4,492,575	1/1985	Mabille	433/88

Primary Examiner—B. J. Bullock
Assistant Examiner—Brian N. Vinson

[57] CLAIM

The ornamental design for a housing for a dental prophylaxis unit, as shown.

DESCRIPTION

FIG. 1 is a top plan view of a housing for a dental prophylaxis unit showing my new design; FIG. 2 is a front end elevational view thereof; FIG. 3 is a rear end elevational view thereof; FIG. 4 is a right side elevational view thereof; FIG. 5 is a left side elevational view thereof; and, FIG. 6 is a bottom plan view thereof.

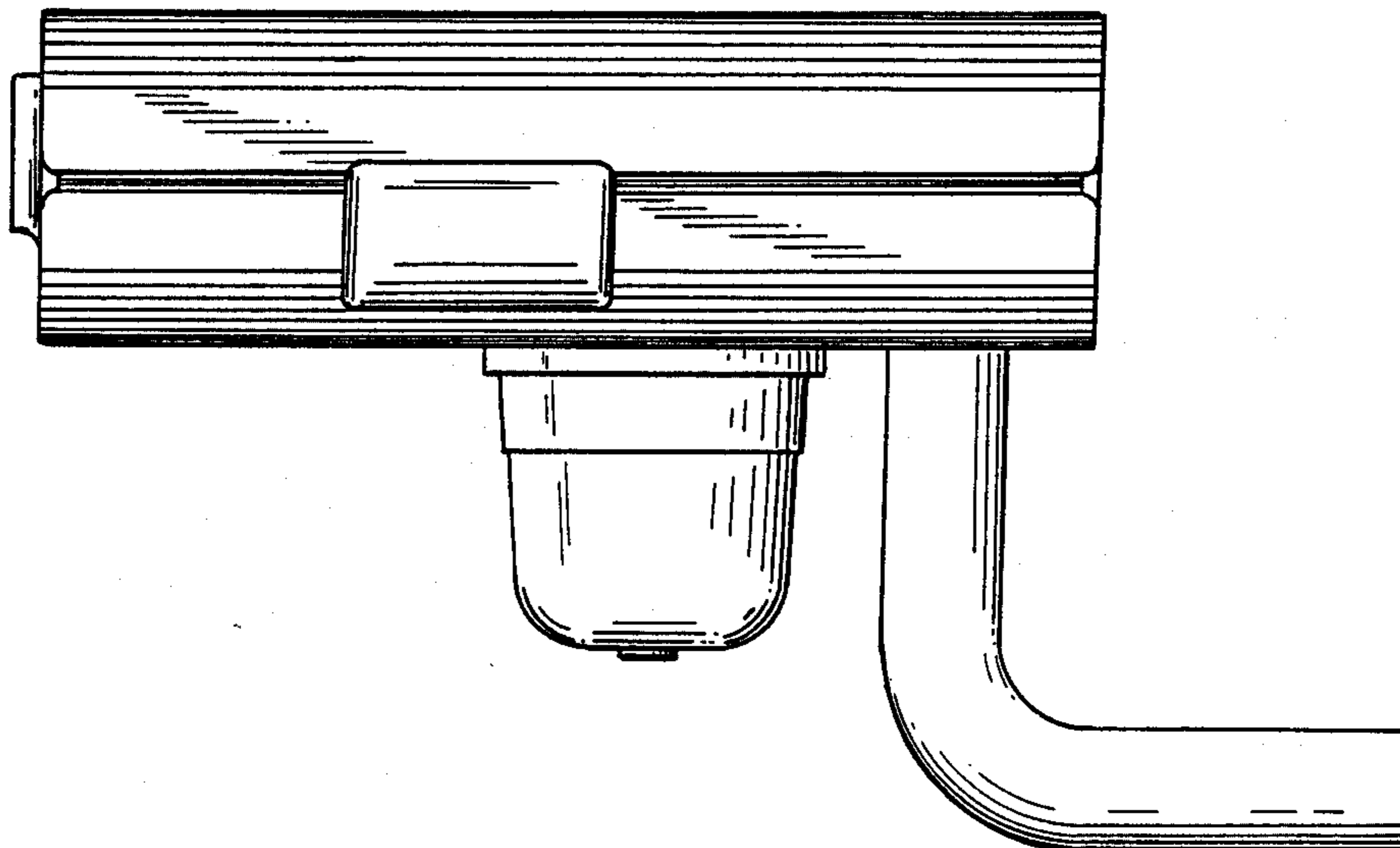
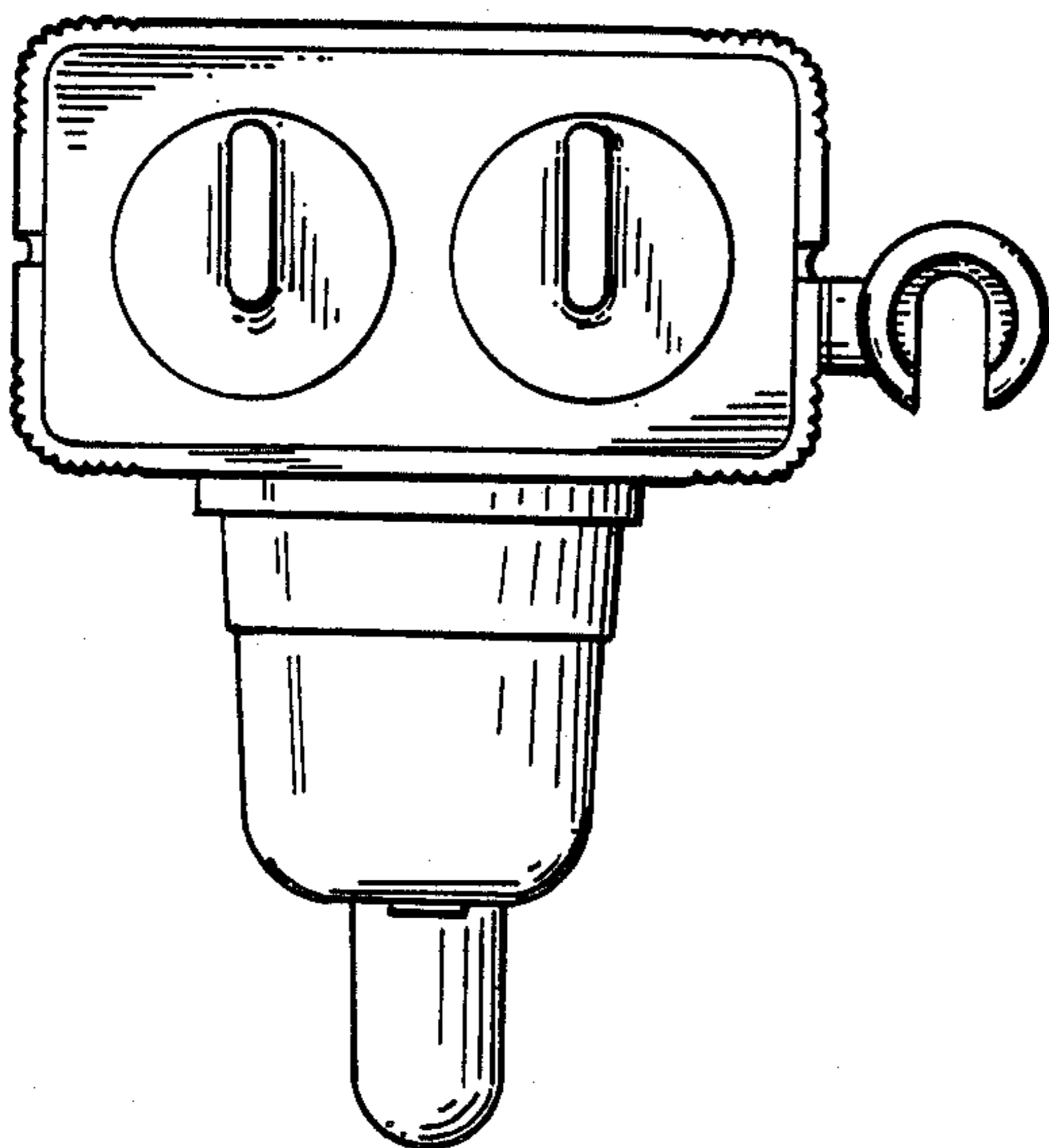


FIG. 1

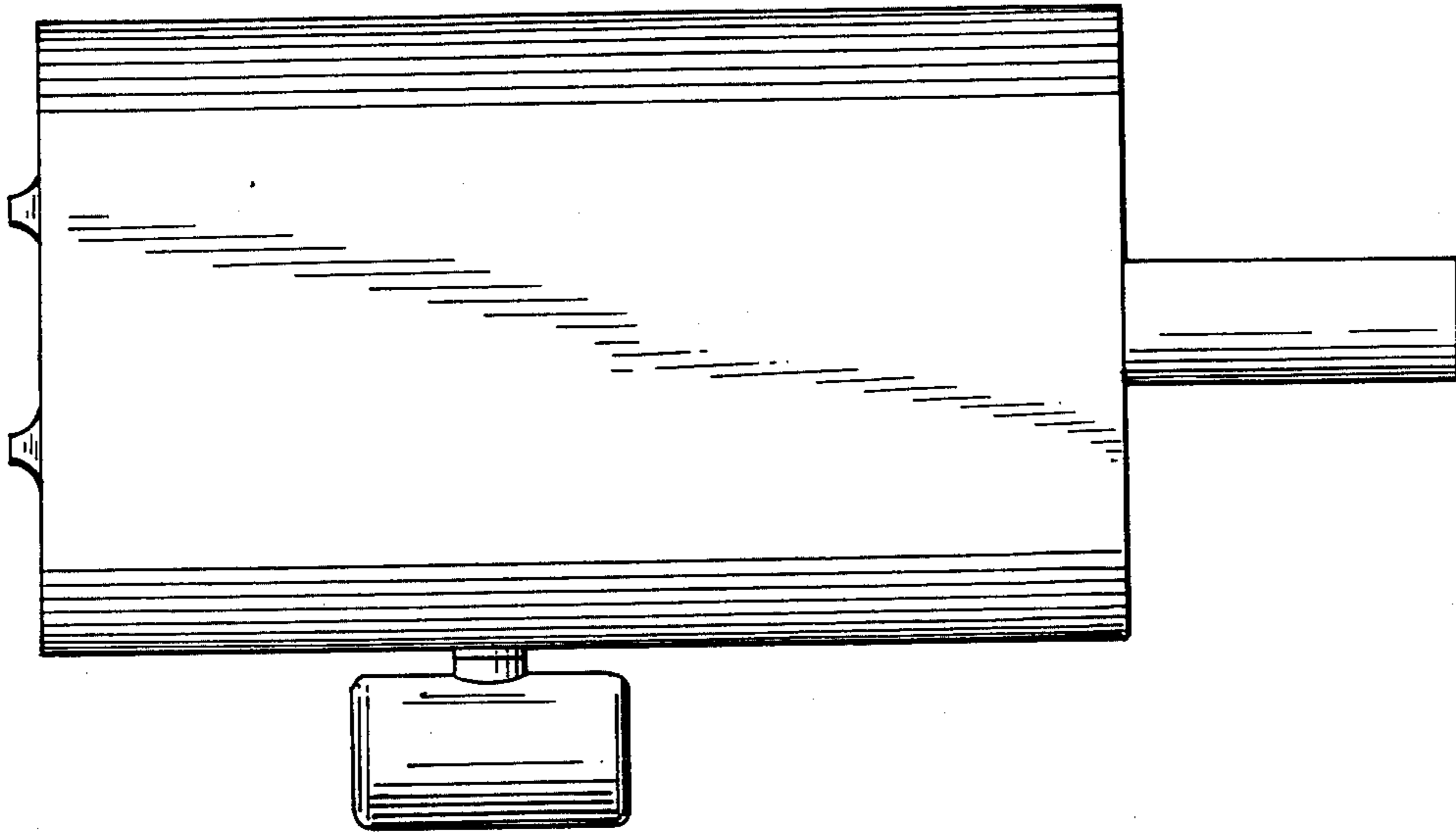


FIG. 2

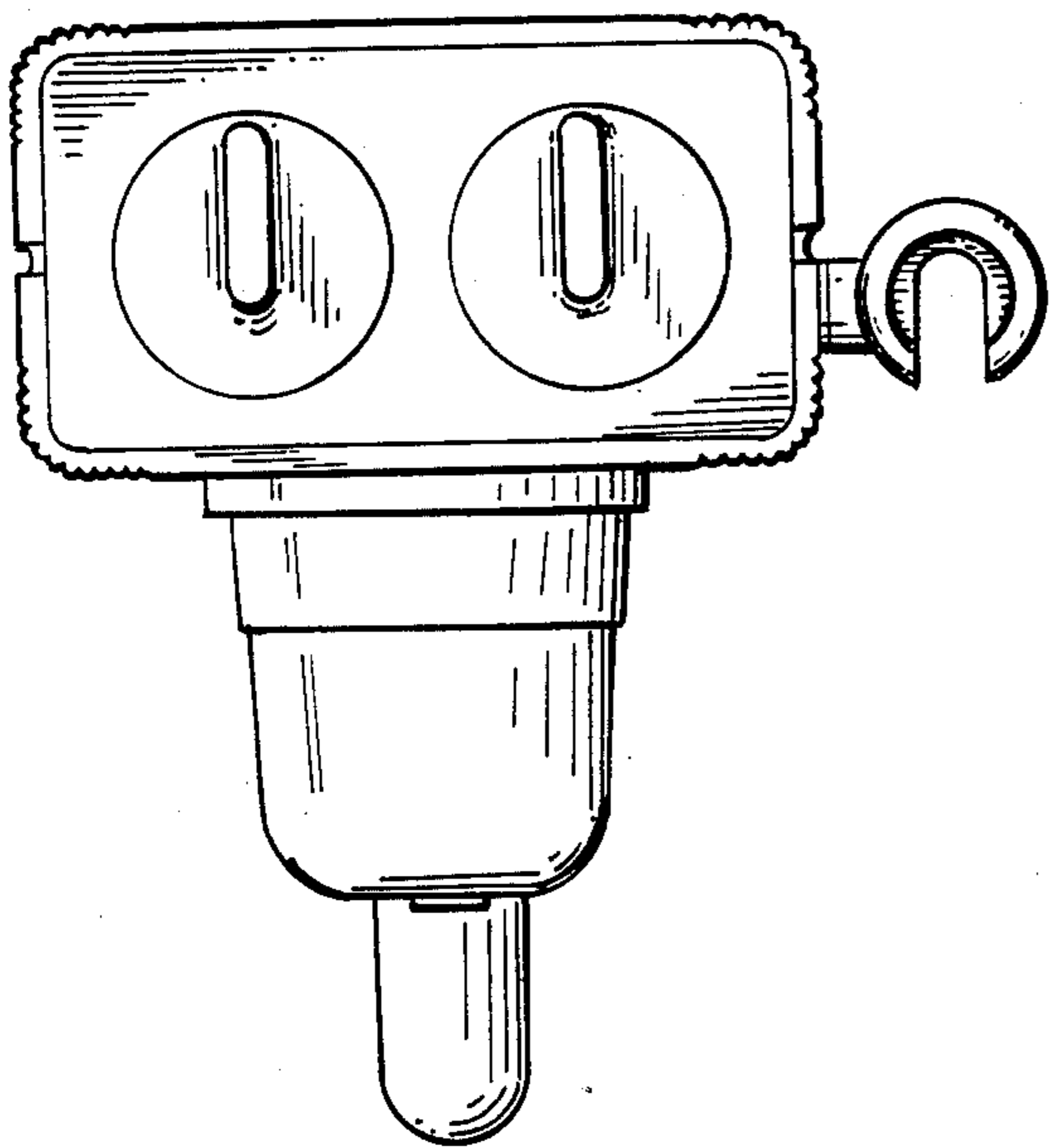


FIG. 3

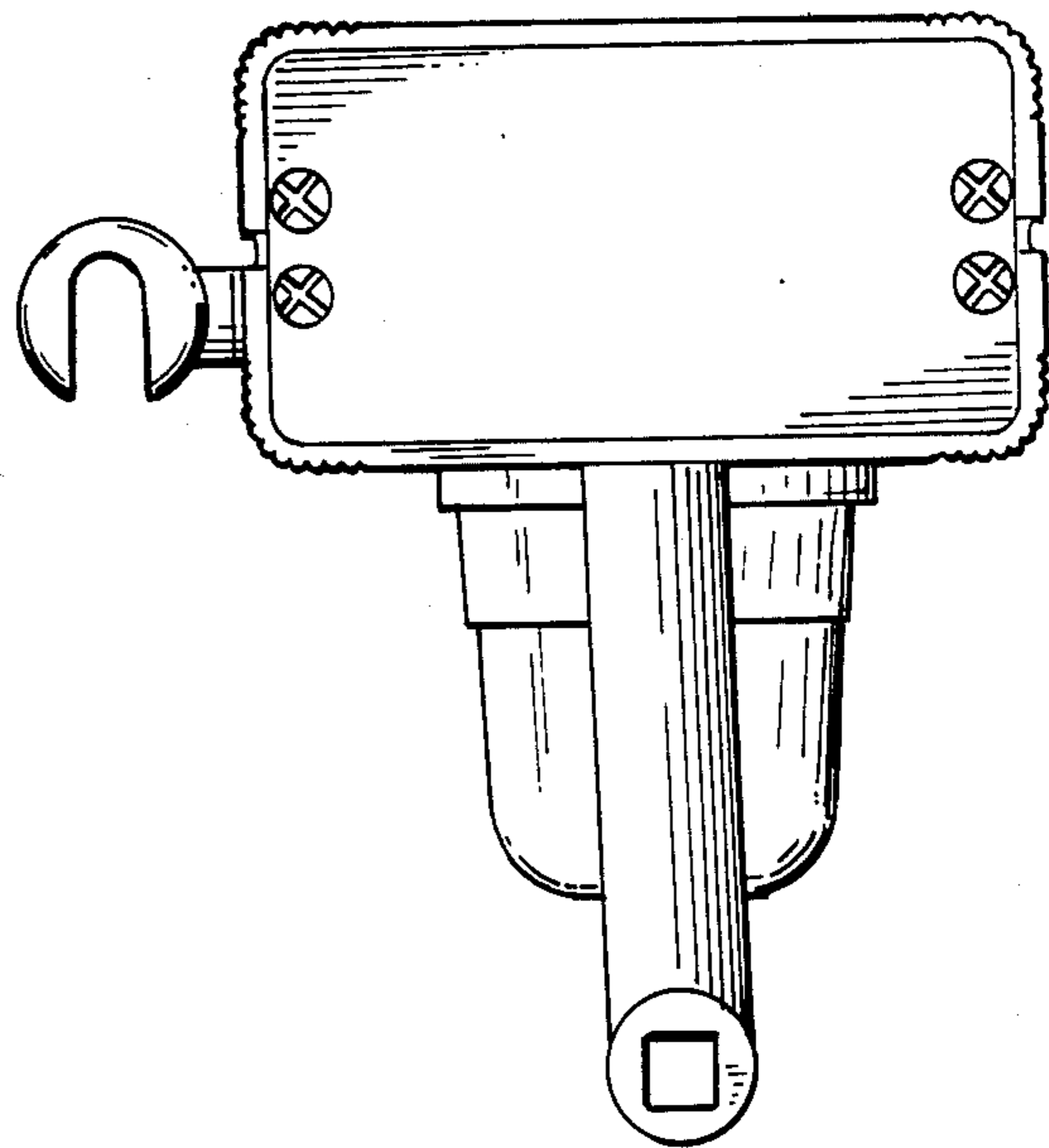


FIG. 4

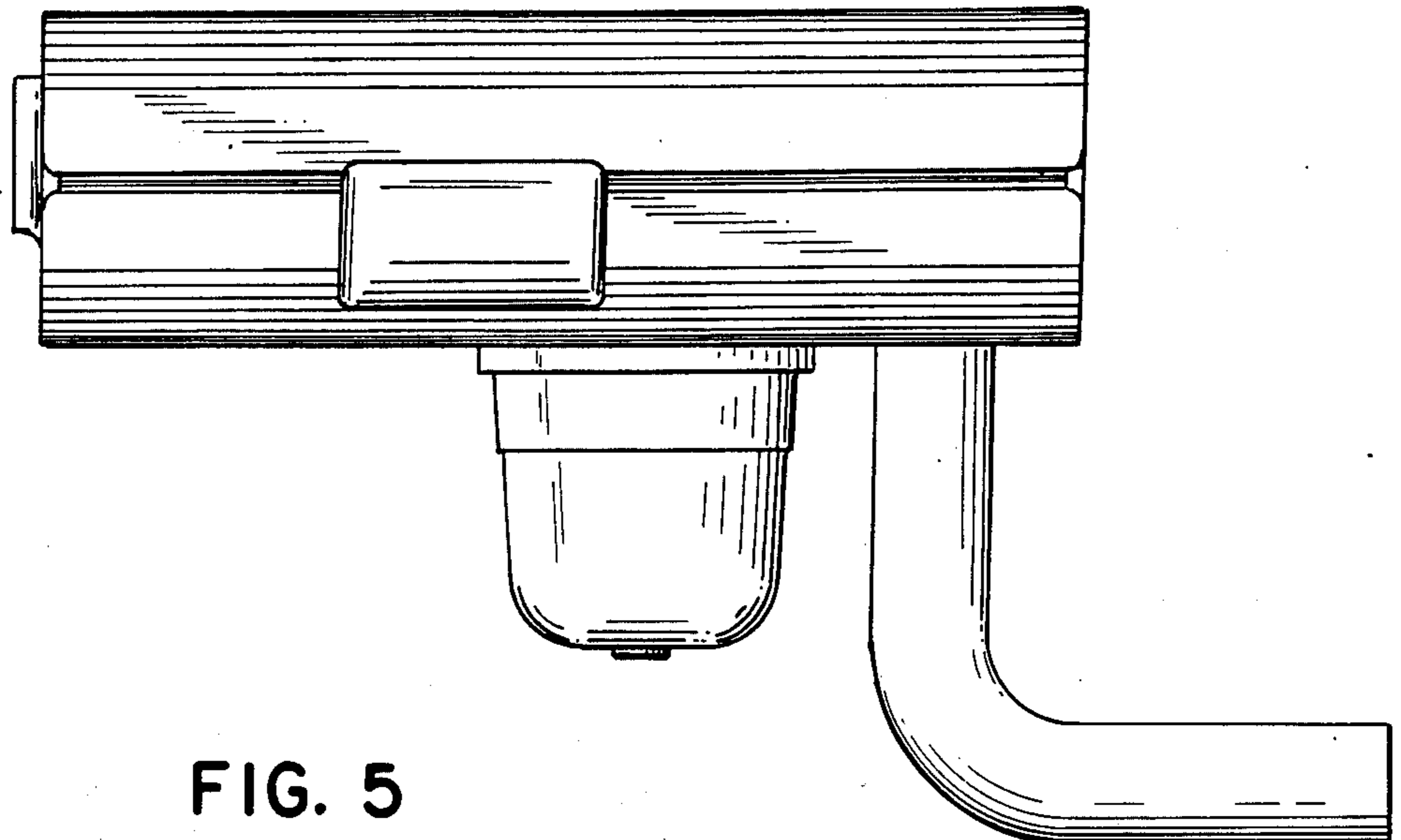


FIG. 5

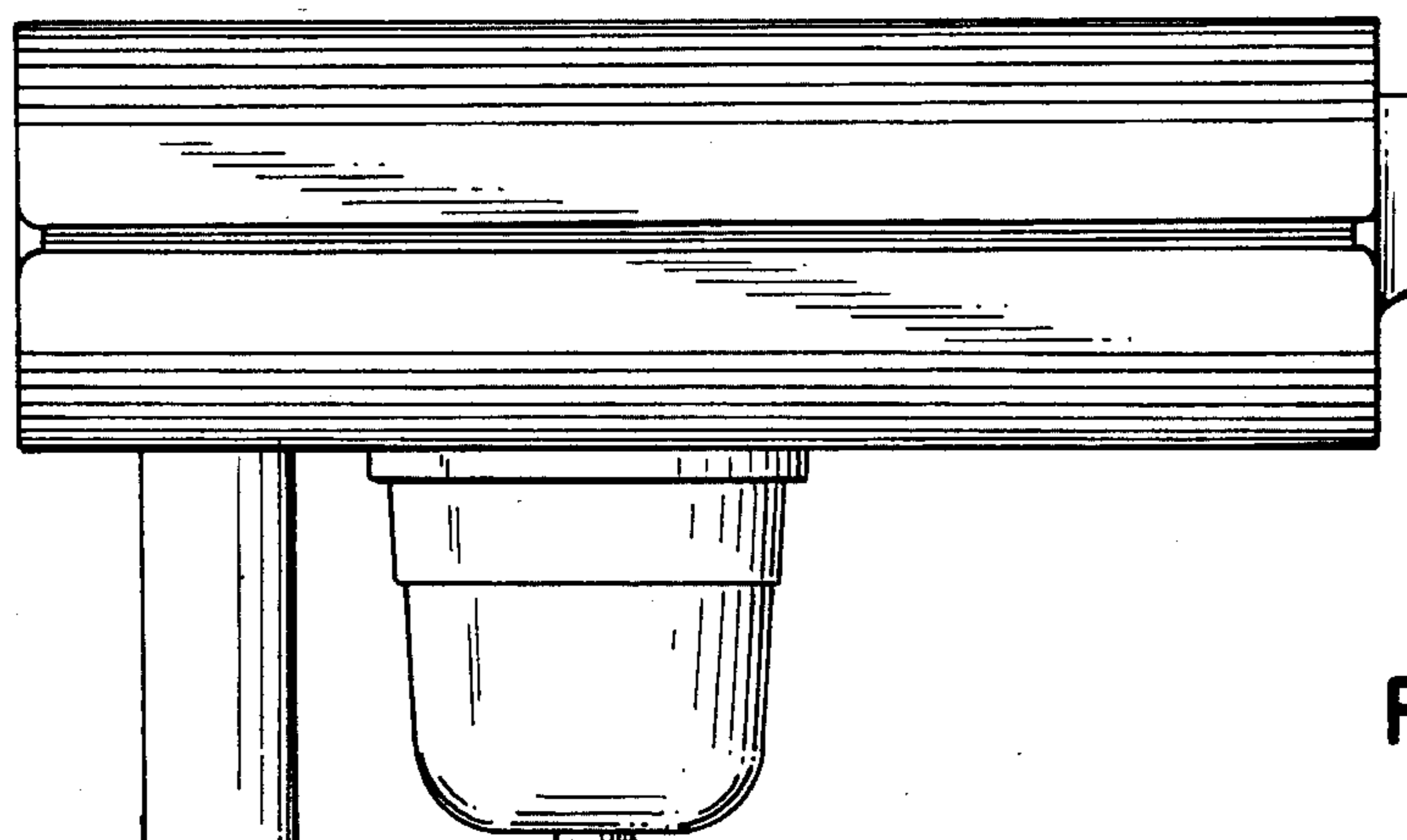


FIG. 6

