

# United States Patent [19]

Butcher

[11] Patent Number: **Des. 298,276**

[45] Date of Patent: **\*\* Oct. 25, 1988**

[54] **COMBINED MOUNTING FRAME AND DUCT FOR AN AIR CONDITIONER UNIT**

[75] Inventor: **Richard H. Butcher, St. Marys, Australia**

[73] Assignee: **F F Seeley Nominees Pty Ltd., St. Marys, Australia**

[\*\*] Term: **14 Years**

[21] Appl. No.: **807,274**

[22] Filed: **Dec. 10, 1985**

[30] **Foreign Application Priority Data**

Jun. 18, 1985 [AU] Australia ..... 1590/85

[52] U.S. Cl. .... **D23/354**

[58] Field of Search ..... **D23/139-145, D23/151-152, 163, 167; 210/483; 98/1, 31, 35, 40.19, 42.23, 44, 61, 99.4, 99.5, DIG. 7; 52/63, 213, 204, 211; 248/27.1**

[56] **References Cited**

**U.S. PATENT DOCUMENTS**

2,733,787 2/1956 Morra ..... 52/213 X  
3,057,118 10/1962 Letowsky ..... 52/213

3,217,450 11/1965 Brownstein ..... 52/213  
3,308,634 3/1967 Smith ..... 52/213 X  
3,768,220 10/1973 Riegelman, Jr. .... 52/211 X  
4,067,157 1/1978 Robinson ..... 52/213 X  
4,488,391 12/1984 Pavnica ..... 52/211 X  
4,573,328 3/1986 Bolton et al. .... 248/27.1 X

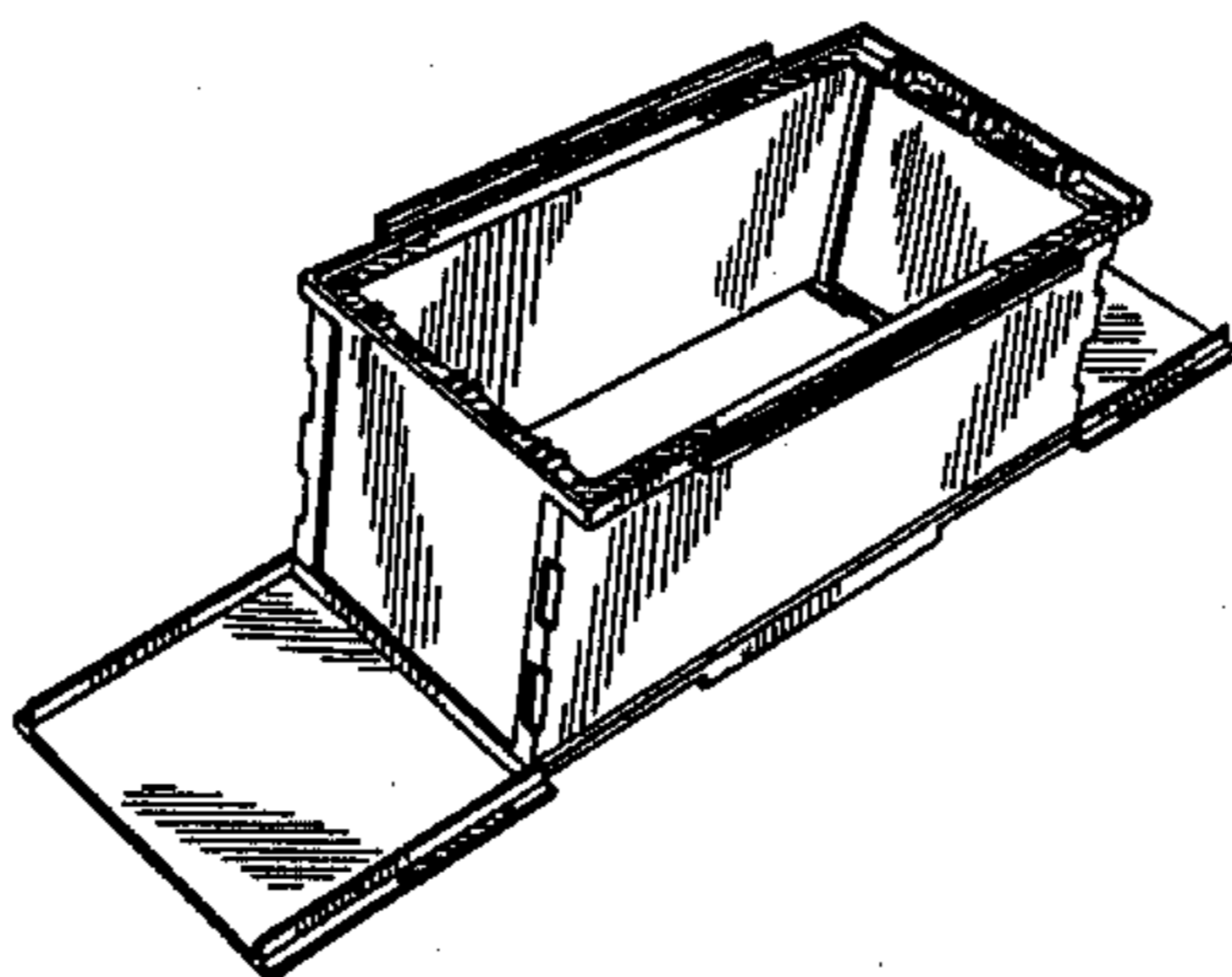
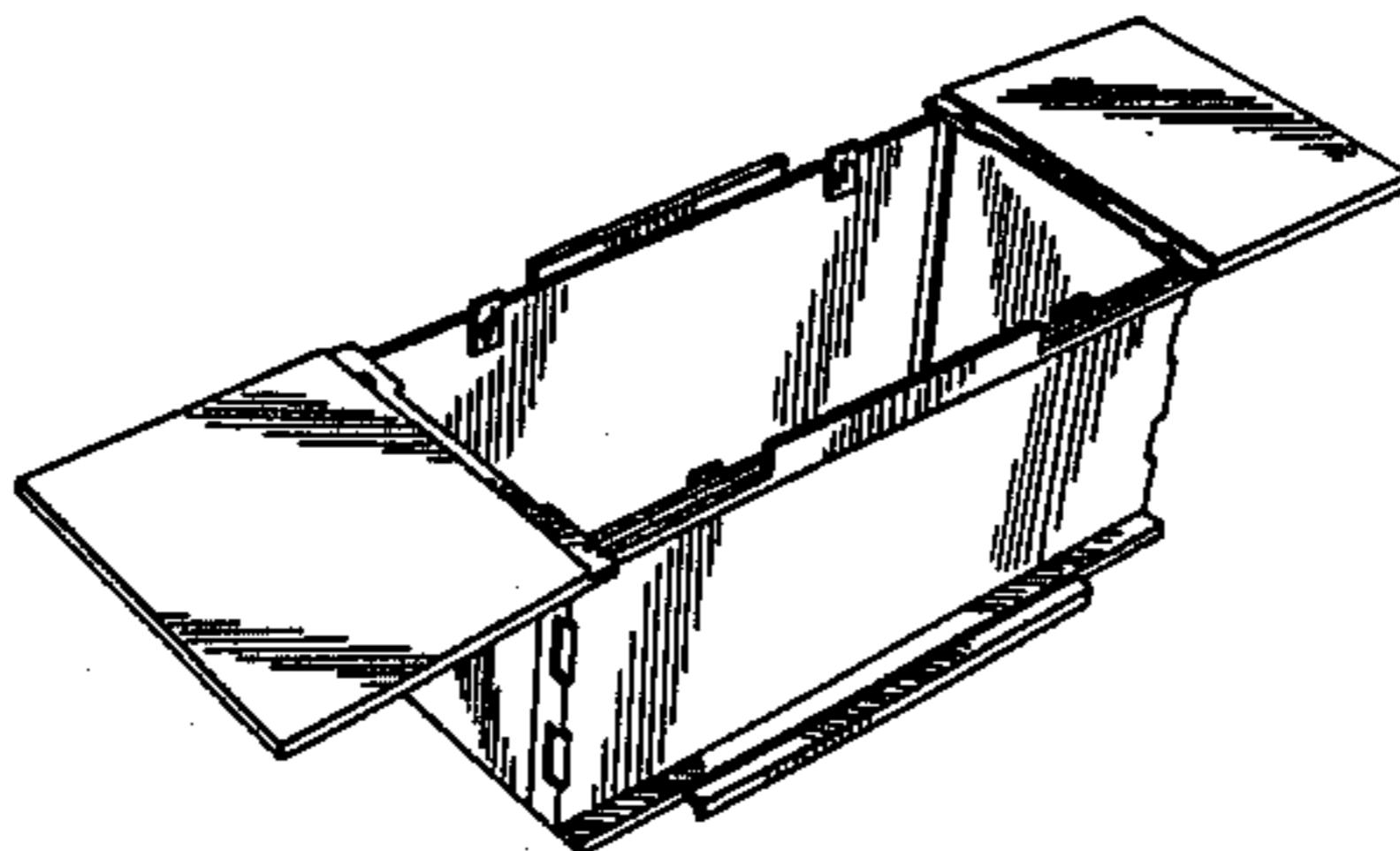
*Primary Examiner*—Wallace R. Burke  
*Assistant Examiner*—Brian N. Vinson  
*Attorney, Agent, or Firm*—Brown, Martin, Haller & Meador

[57] **CLAIM**

The ornamental design for a combined mounting frame and duct for an air conditioner unit, substantially as shown and described.

**DESCRIPTION**

FIG. 1 is a front perspective view of a combined mounting frame and duct for an air conditioner unit showing my new design;  
FIG. 2 is a rear perspective view thereof;  
FIG. 3 is an enlarged, fragmentary rear perspective view thereof; and  
FIG. 4 is an enlarged, fragmentary front perspective view thereof, the portions omitted in FIGS. 3 and 4 being for convenience of illustration.



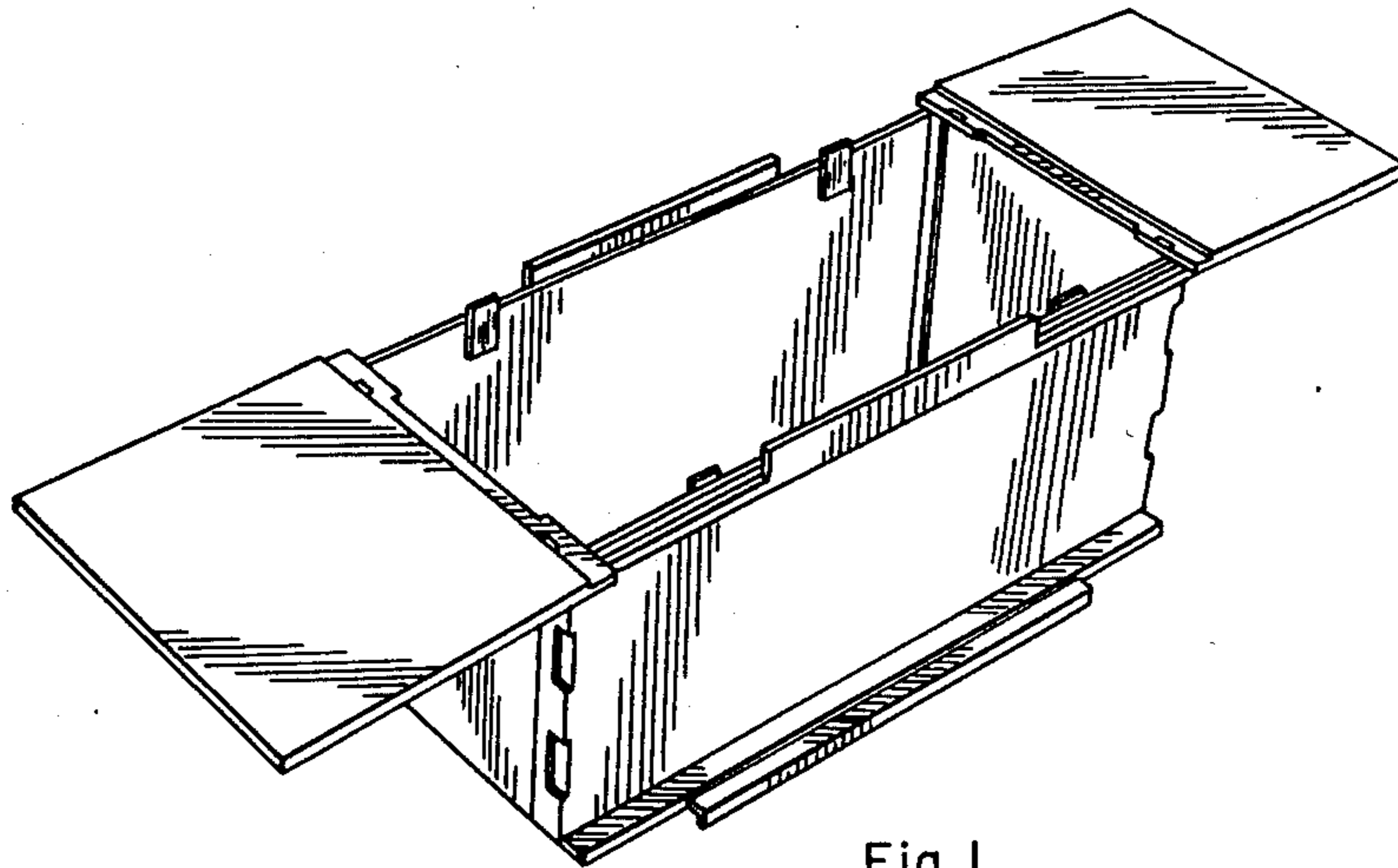


Fig. 1

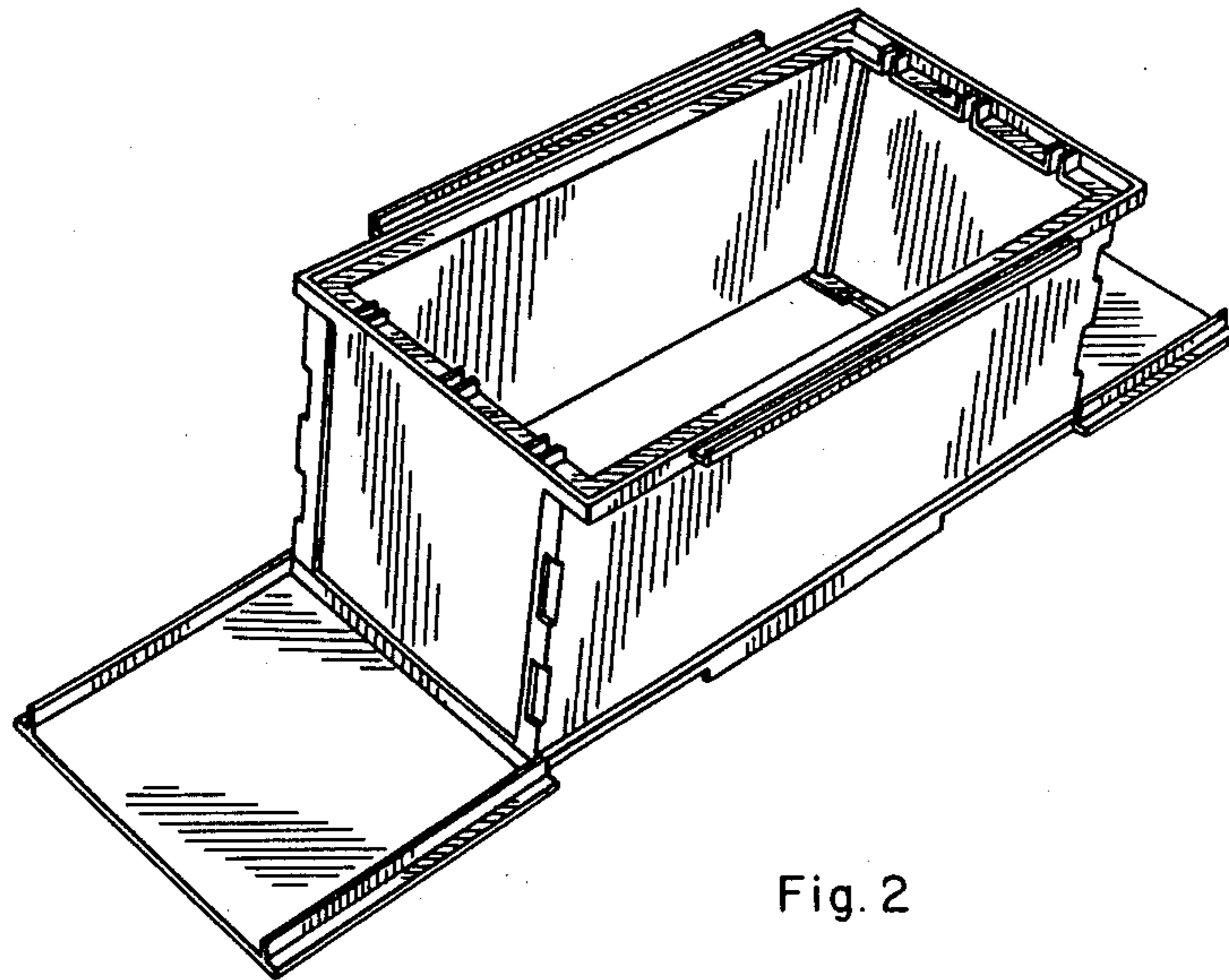


Fig. 2

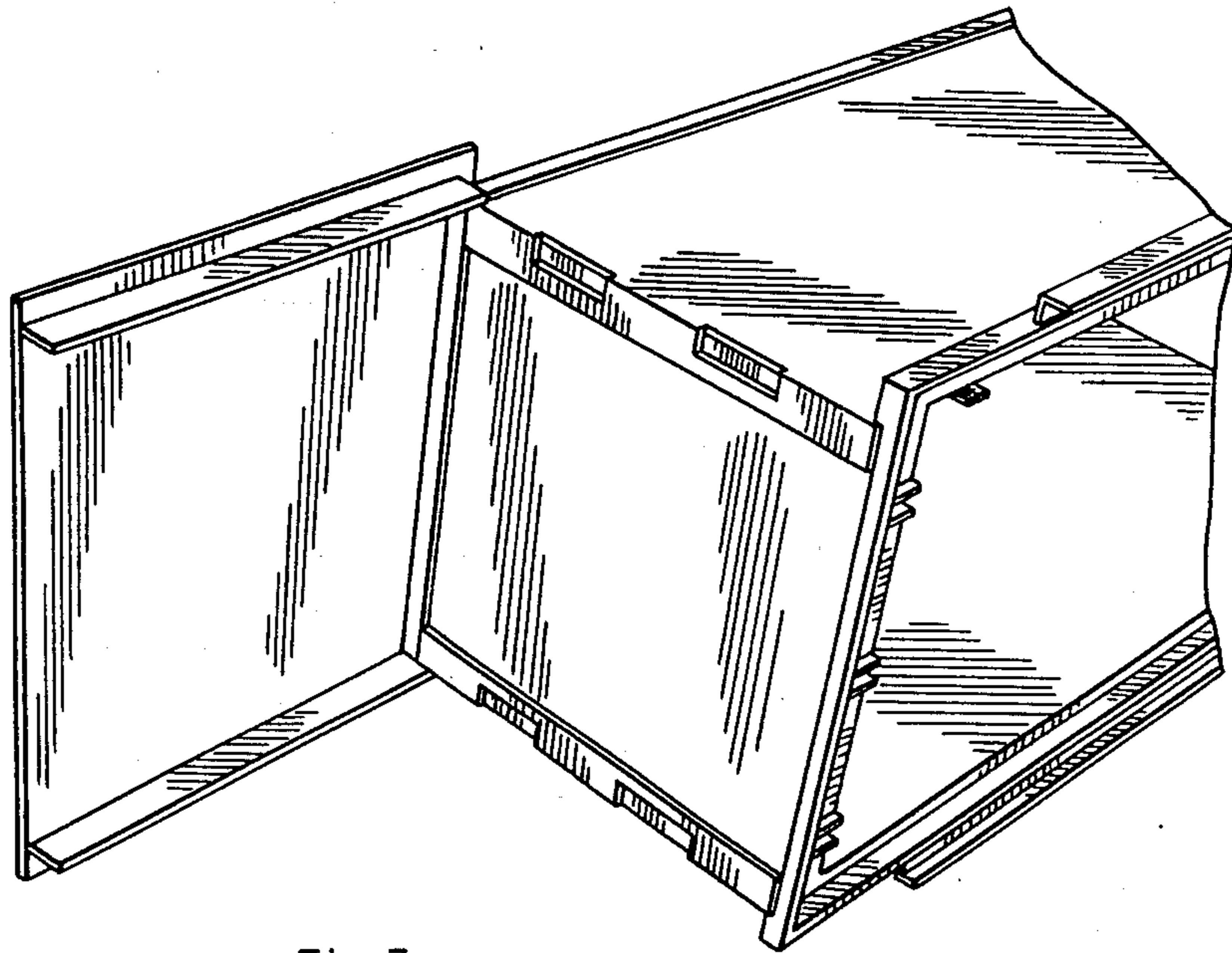


Fig. 3

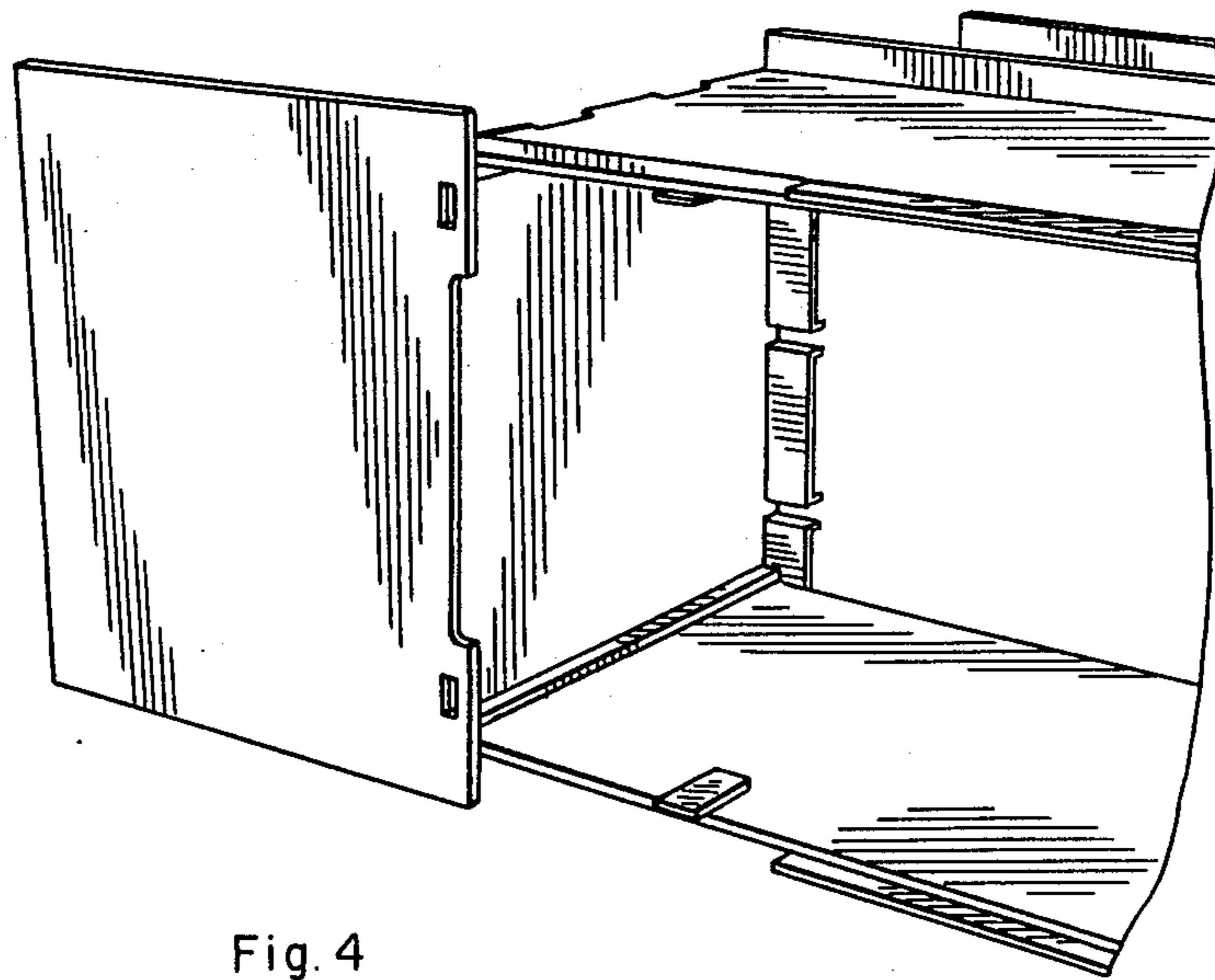


Fig. 4