

[54] **FAUCET HANDLE**  
[75] **Inventor: Loran R. Hill, Indianapolis, Ind.**  
[73] **Assignee: Masco Corporation of Indiana, Taylor, Mich.**  
[\*\*] **Term: 14 Years**  
[21] **Appl. No.: 901,939**  
[22] **Filed: Aug. 29, 1986**  
[52] **U.S. Cl. .... D23/252**  
[58] **Field of Search .... D23/238-243, D23/250-254; D8/300, 307-312; 4/191, 192; 16/118, 121; 137/801**

D. 241,844 10/1976 Shames et al. .... D23/252  
D. 258,835 4/1981 Saporito et al. .... D23/242

**OTHER PUBLICATIONS**

Domestic Engineering, Feb. 1957, p. 43.

*Primary Examiner*—James R. Largen  
*Attorney, Agent, or Firm*—Steven L. Permut; Malcolm L. Sutherland

[57] **CLAIM**

The ornamental design for a faucet handle, as shown and described.

**DESCRIPTION**

FIG. 1 is a top perspective view of a faucet handle showing my new design;  
FIG. 2 is a top plan view thereof;  
FIG. 3 is a left side elevational view thereof;  
FIG. 4 is a front elevational view thereof, the rear being a mirror image of the front shown; and  
FIG. 5 is a right side elevational view thereof.  
The broken line representation of a faucet body and second handle in FIG. 1 is for purposes of illustration only and form no part of the claimed design.

[56] **References Cited**

**U.S. PATENT DOCUMENTS**

D. 141,186	5/1945	Stanitz .....	D23/252
D. 169,434	4/1953	Gredell .....	D23/252
D. 190,897	7/1961	Chapman .....	D23/252
D. 192,592	4/1962	Kawolics .....	D23/252
D. 193,923	10/1962	Hartg, Jr. ....	D23/241
D. 199,426	10/1964	Armstrong .....	D23/252
D. 209,804	1/1968	Landell .....	D23/252
D. 227,568	7/1973	Thorp .....	D23/252

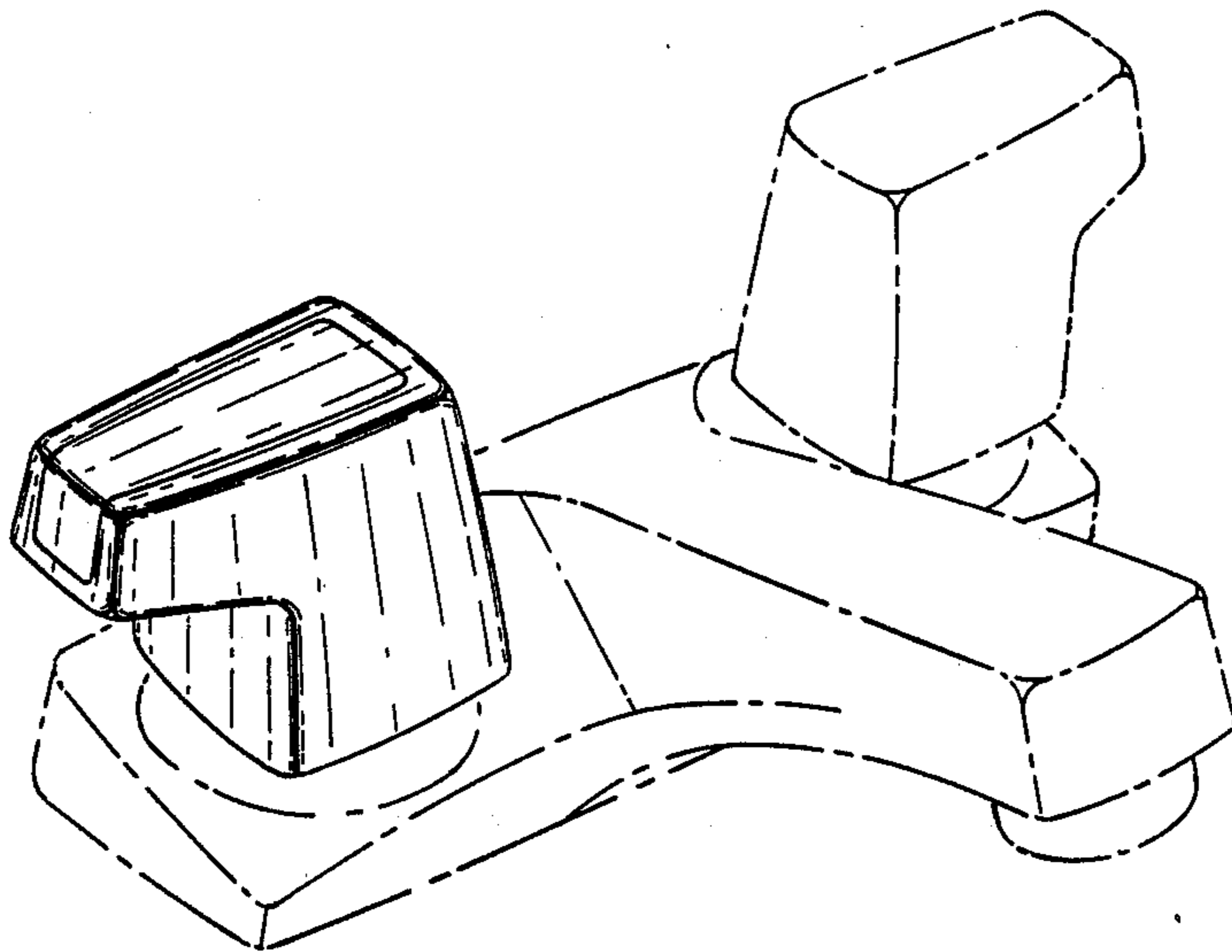


FIG. 1.

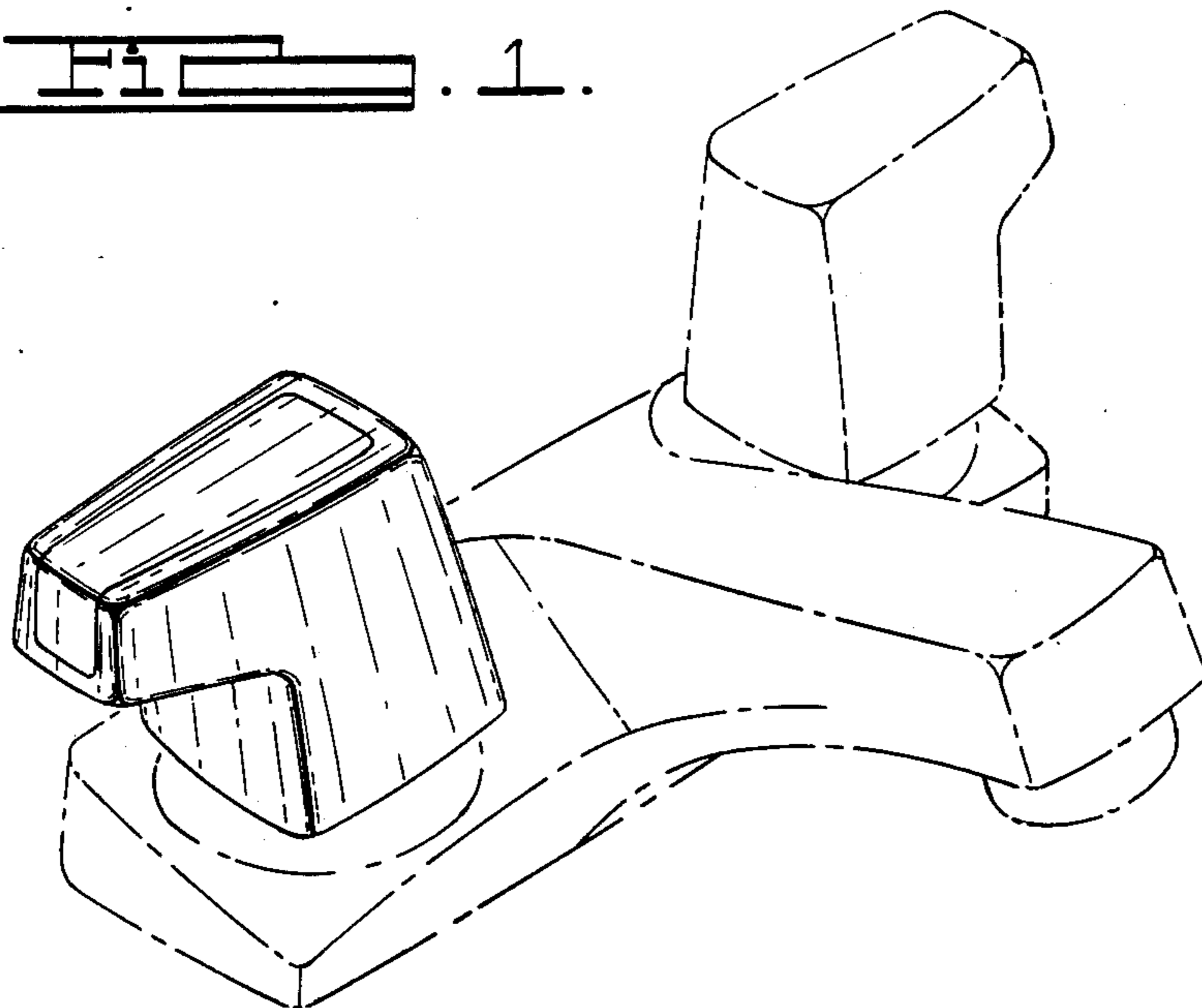


FIG. 2.

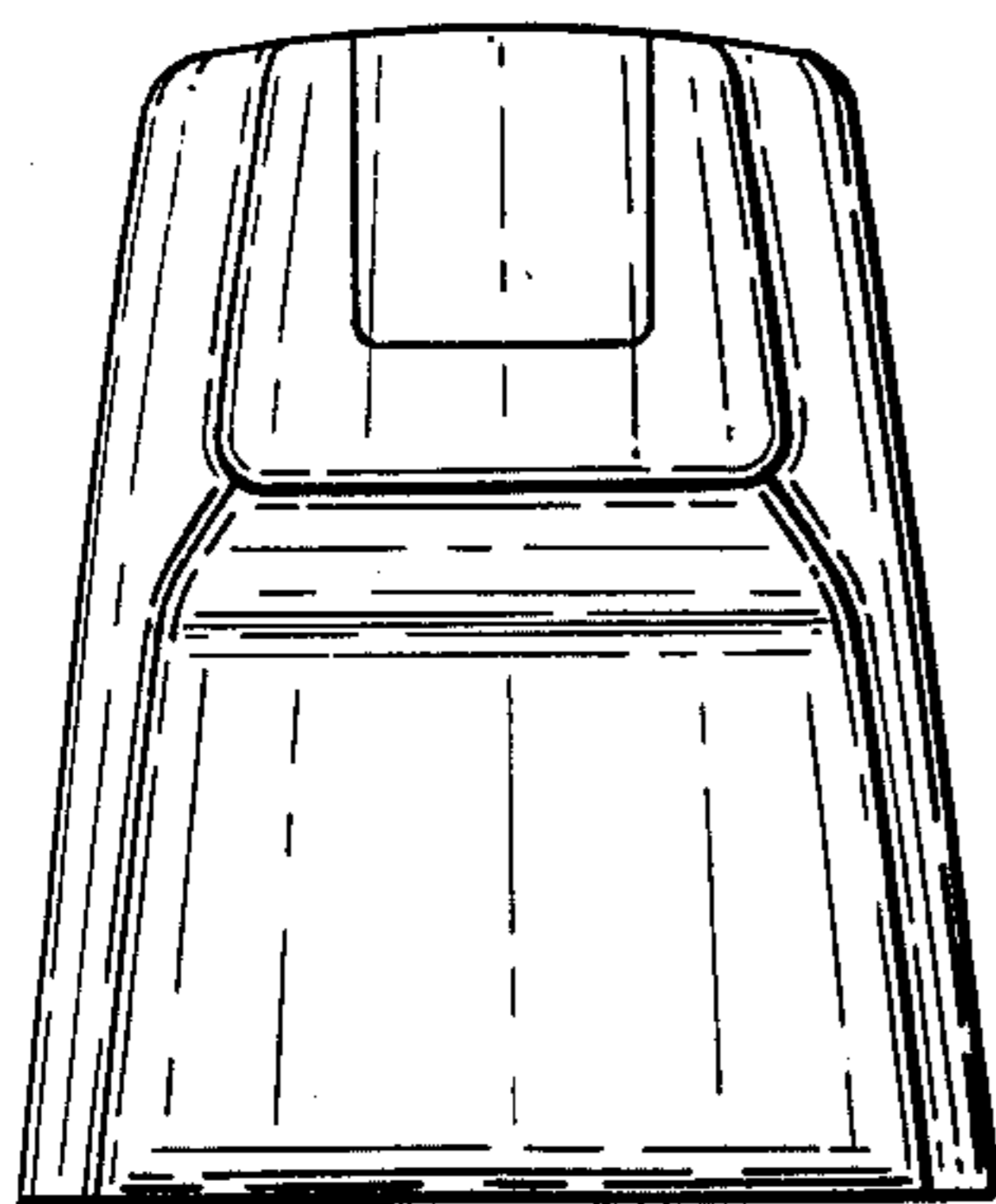
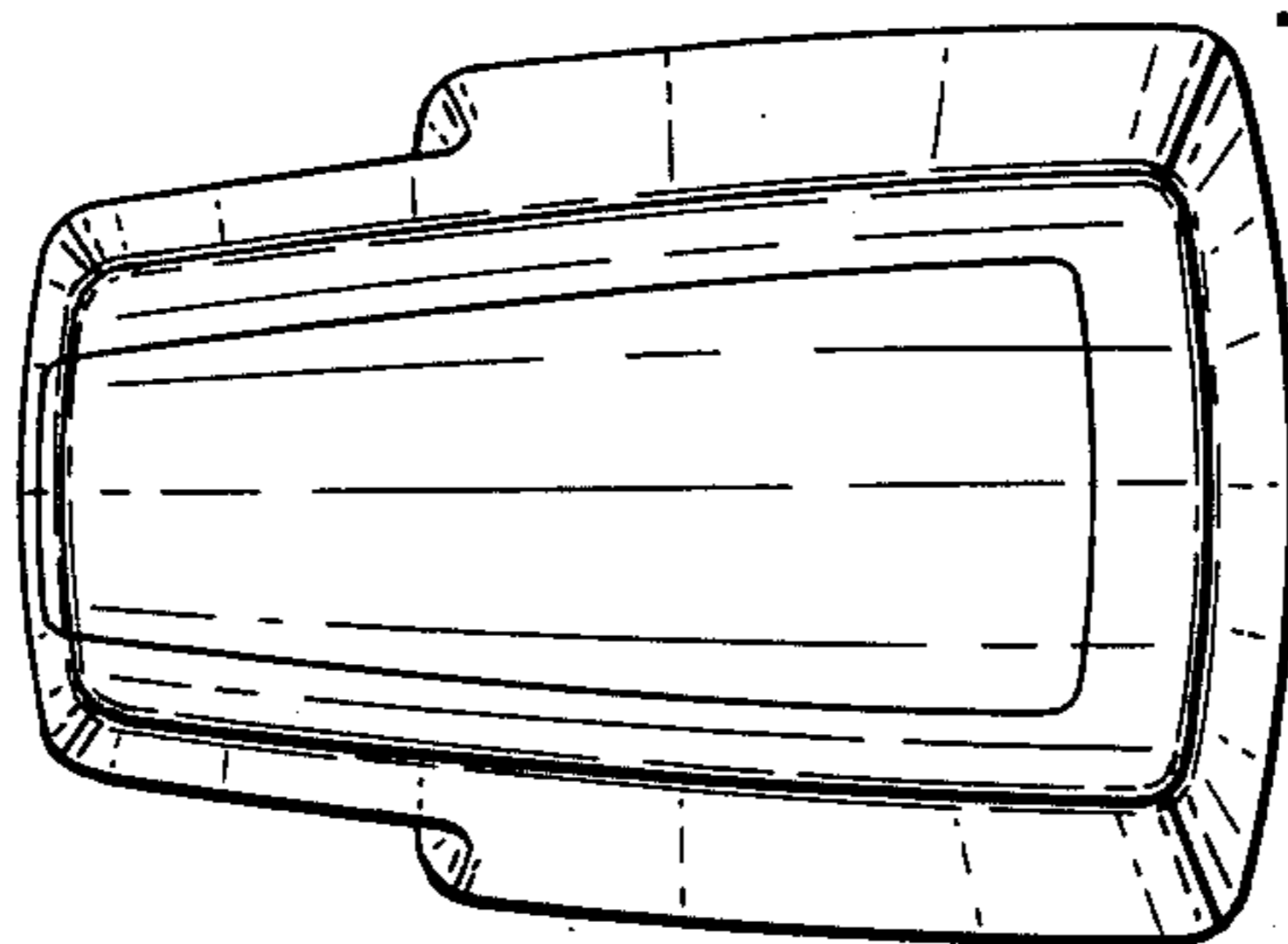


FIG. 3.

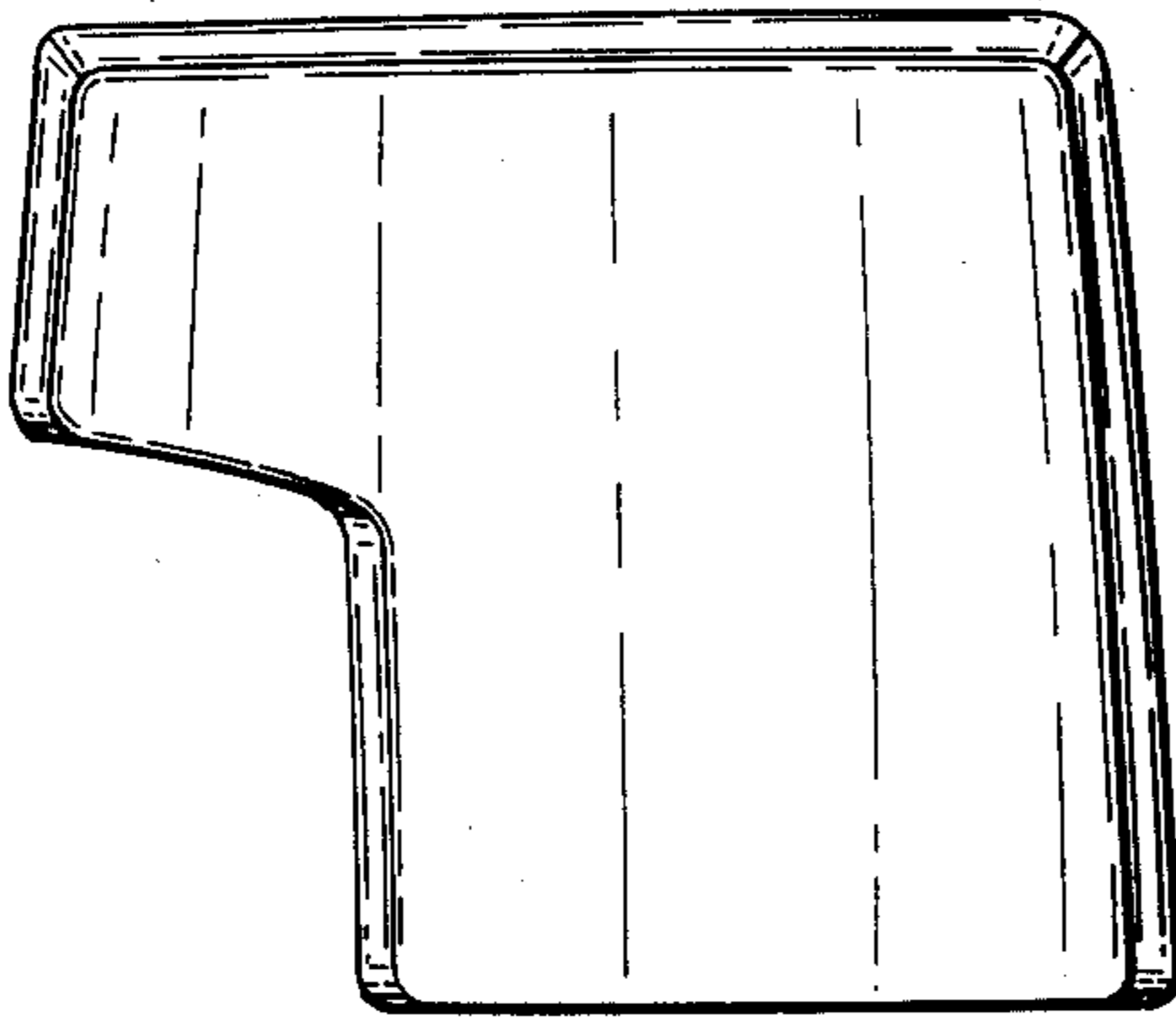


FIG. 4.

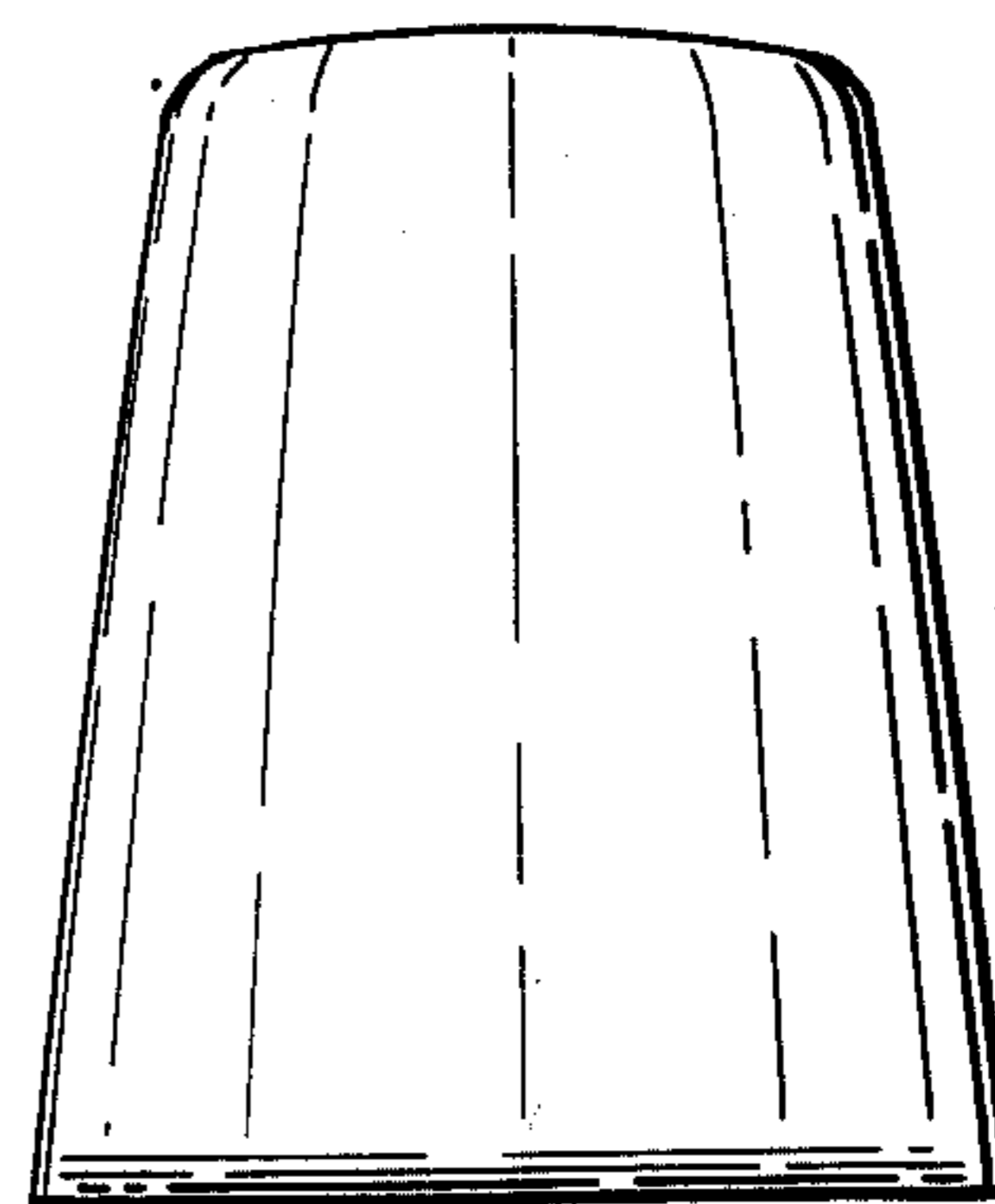


FIG. 5.