

United States Patent [19]

Reyneke

[11] Patent Number: Des. 298,266

[45] Date of Patent: ** Oct. 25, 1988

[54] FOOT EXERCISER

[76] Inventor: **Andreas J. Reyneke**, 3 Ladbroke Road, London W11, England

[**] Term: **14 Years**

[21] Appl. No.: **875,661**

[22] Filed: **Jun. 17, 1986**

[30] Foreign Application Priority Data

Dec. 19, 1985 [GB] United Kingdom 1031209

[52] U.S. Cl. **D21/191**

[58] Field of Search **D21/191 F, 199; 272/93, 272/94, 96, 100, 105, 109, 70, 70.2, 125, 134, 136, 143, 145, 144, 117; 224/265, 266**

[56] References Cited

U.S. PATENT DOCUMENTS

3,863,916	2/1975	Cline	272/117
4,314,697	2/1982	Brumfield et al.	272/143
4,429,868	2/1984	Leblanc et al.	272/144
4,561,649	12/1985	Forsythe	272/144

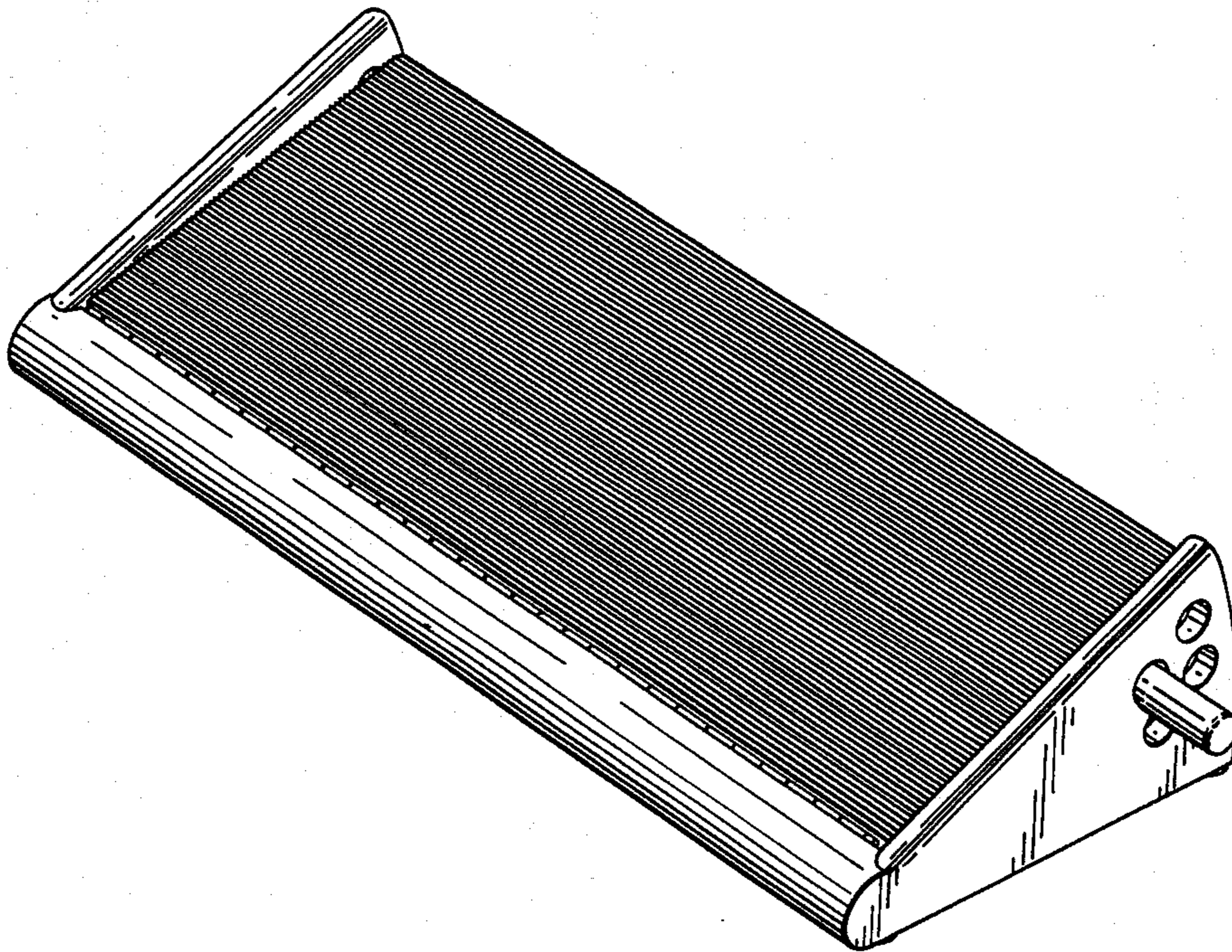
Primary Examiner—Charles A. Rademaker
Attorney, Agent, or Firm—Bacon & Thomas

[57] CLAIM

The ornamental design for a foot exerciser, as shown.

DESCRIPTION

FIG. 1 is a front perspective view of a foot exerciser showing my new design; FIG. 2 is a rear elevational view thereof; and FIG. 3 is a bottom perspective view thereof.



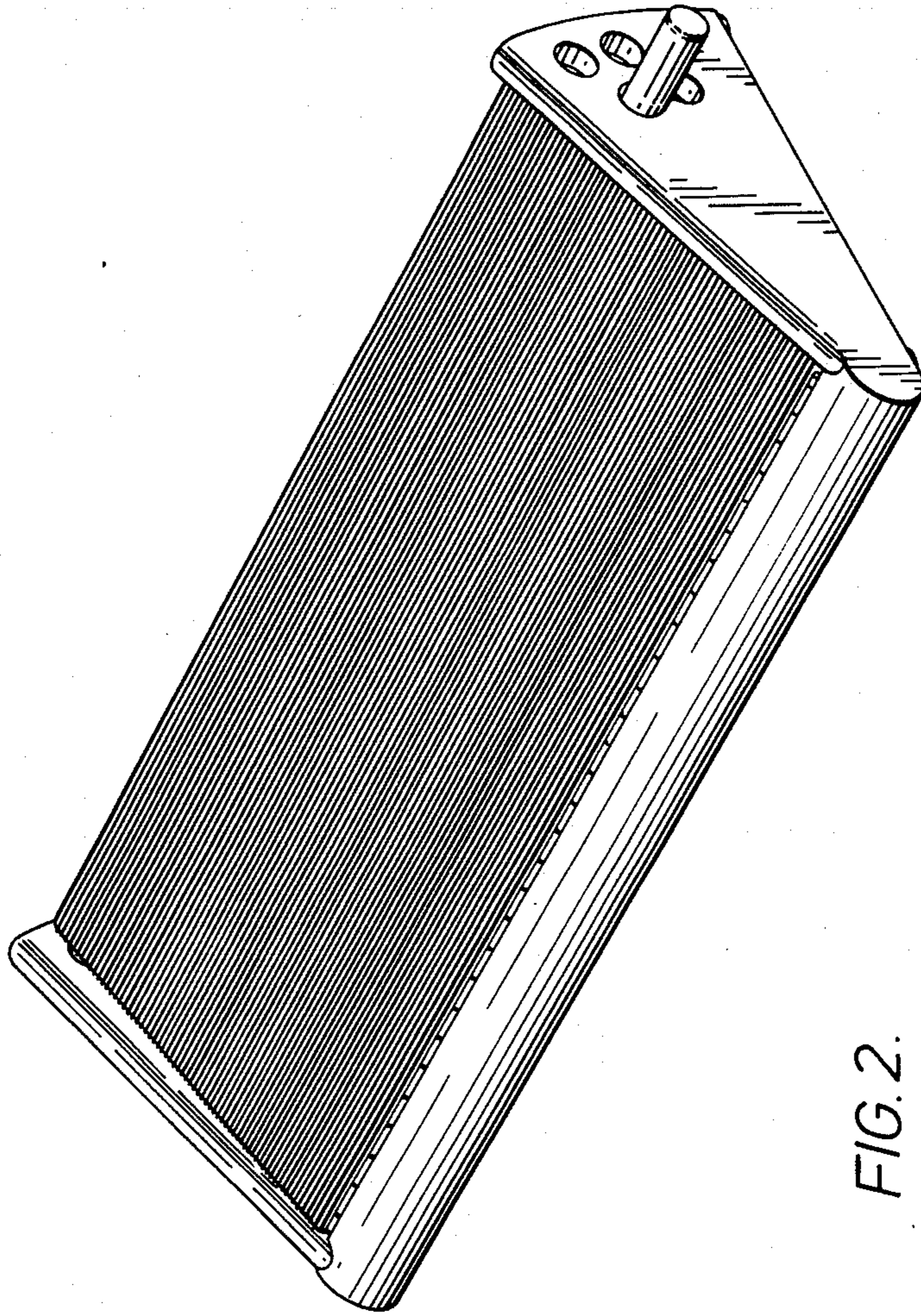


FIG. 1.

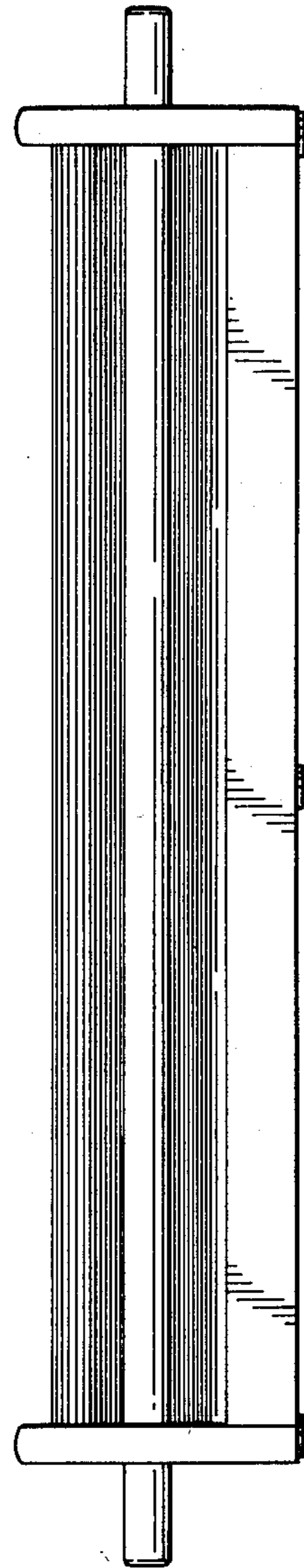


FIG. 2.

FIG. 3.

