

[54] CRAYON HOLDER

[76] Inventor: Henry C. H. Wang, Rm. No. 702 No. 200 Nan-King E. Rd., Sec. 3, Taipei, Taiwan

[**] Term: 14 Years

[21] Appl. No.: 864,953

[22] Filed: May 19, 1986

[52] U.S. Cl. D19/85

[58] Field of Search D3/30.1, 24, 25, 74; D19/75-85; 206/214; 211/69, 69.5; D6/520, 472, 476; D7/2

[56] References Cited

U.S. PATENT DOCUMENTS

- D. 149,574 5/1948 Lowenstein D6/472
- D. 194,507 2/1963 Saxe D19/85
- D. 199,709 12/1964 Harrison D6/472
- D. 244,981 7/1977 Austin D6/472

- D. 290,854 7/1987 Appel D19/85
- 3,456,806 7/1969 Borston 211/69.5
- 3,727,771 4/1973 Hoffman 211/69

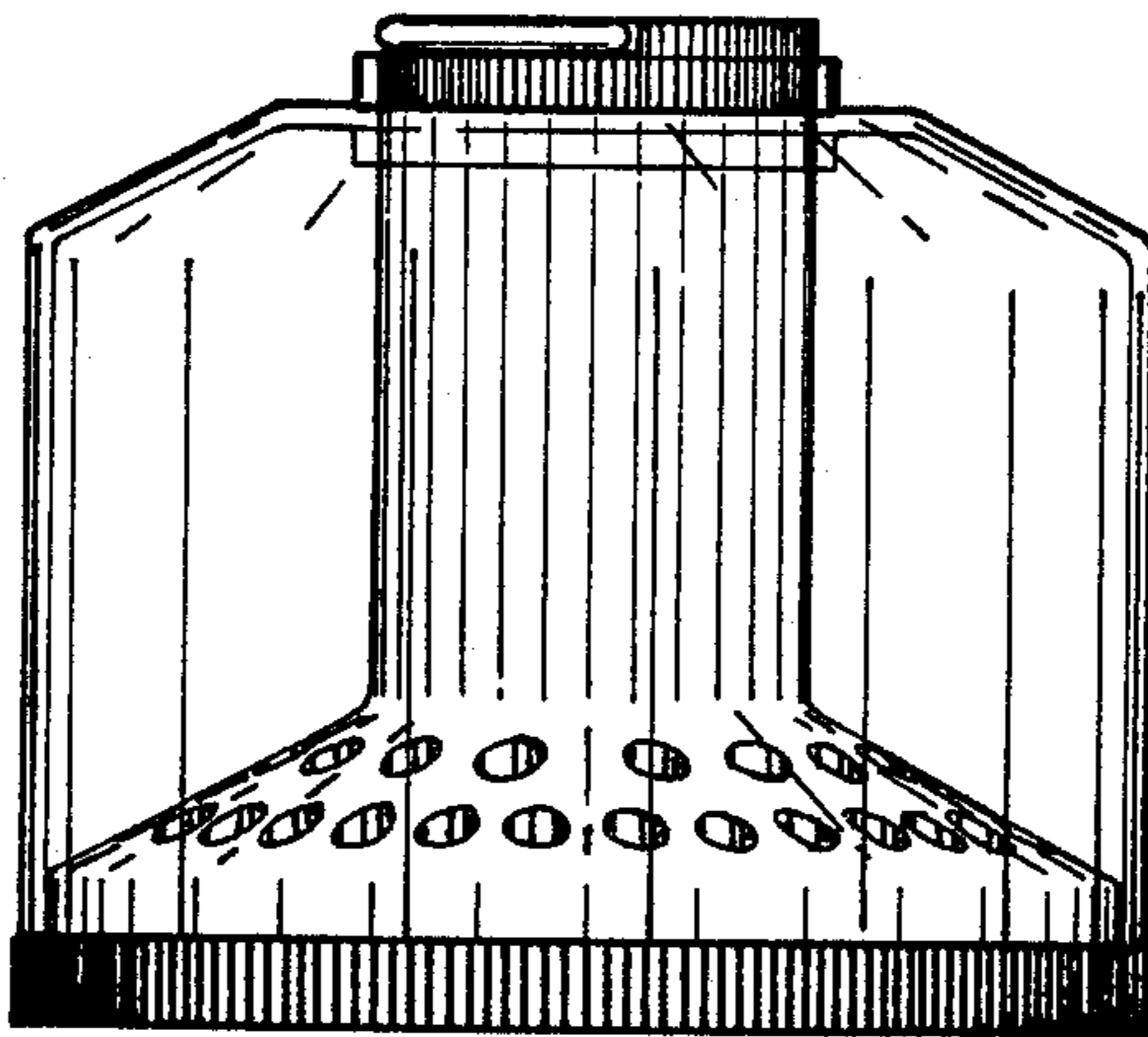
Primary Examiner—Charles A. Rademaker
Attorney, Agent, or Firm—Bucknam and Archer

[57] CLAIM

The ornamental design of the crayon holder, as shown and described.

DESCRIPTION

FIG. 1 is a top plan view of a crayon holder showing my new design;
 FIG. 2 is a front elevational view thereof;
 FIG. 3 is a bottom plan view thereof;
 FIG. 4 is a right side elevational view thereof;
 FIG. 5 is a left side elevational view thereof;
 FIG. 6 is a rear elevational view thereof; and
 FIG. 7 is another rear elevational view thereof showing the cover of the design in an exploded condition and the handle in an upright position.



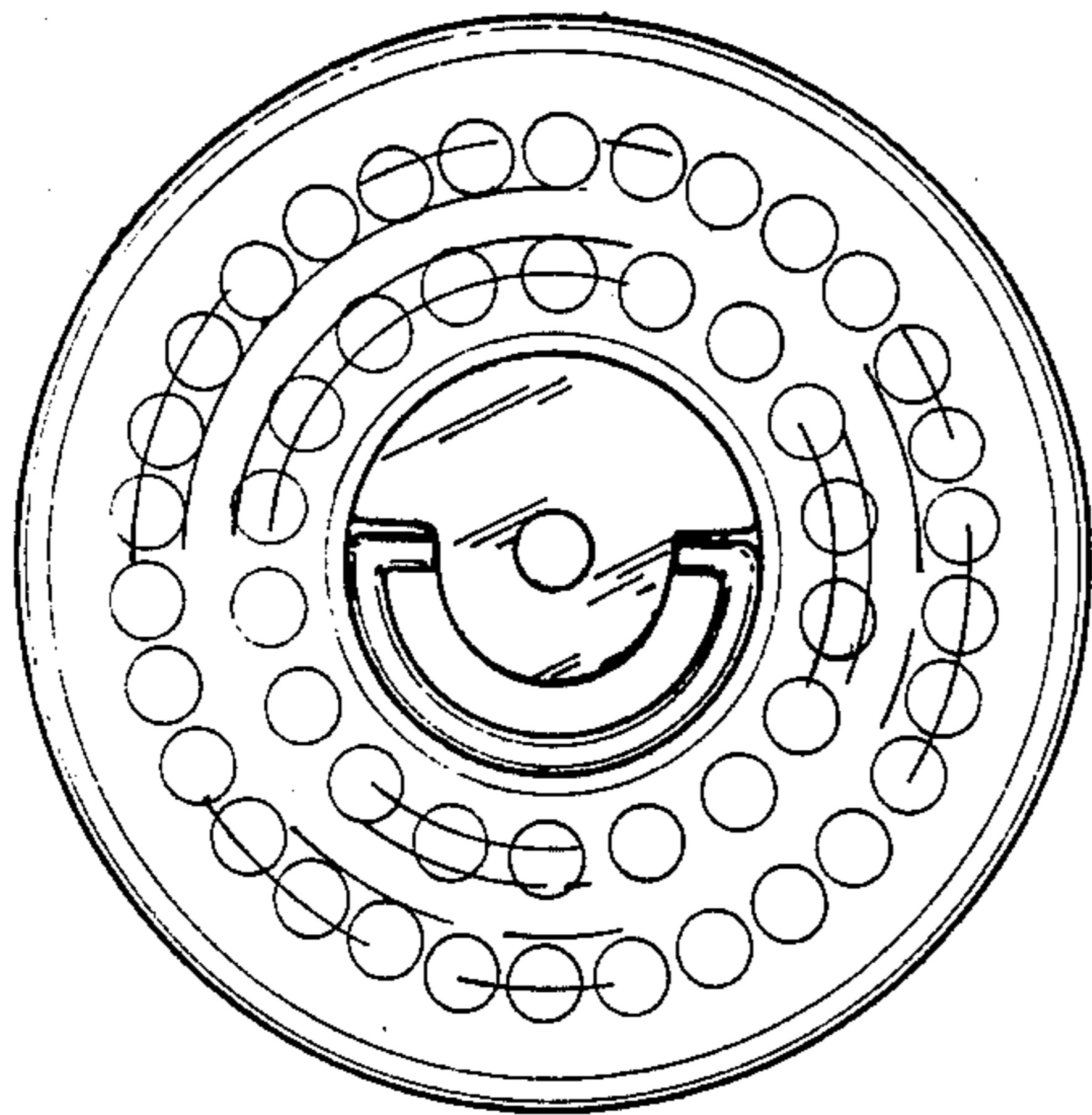


FIG. 1

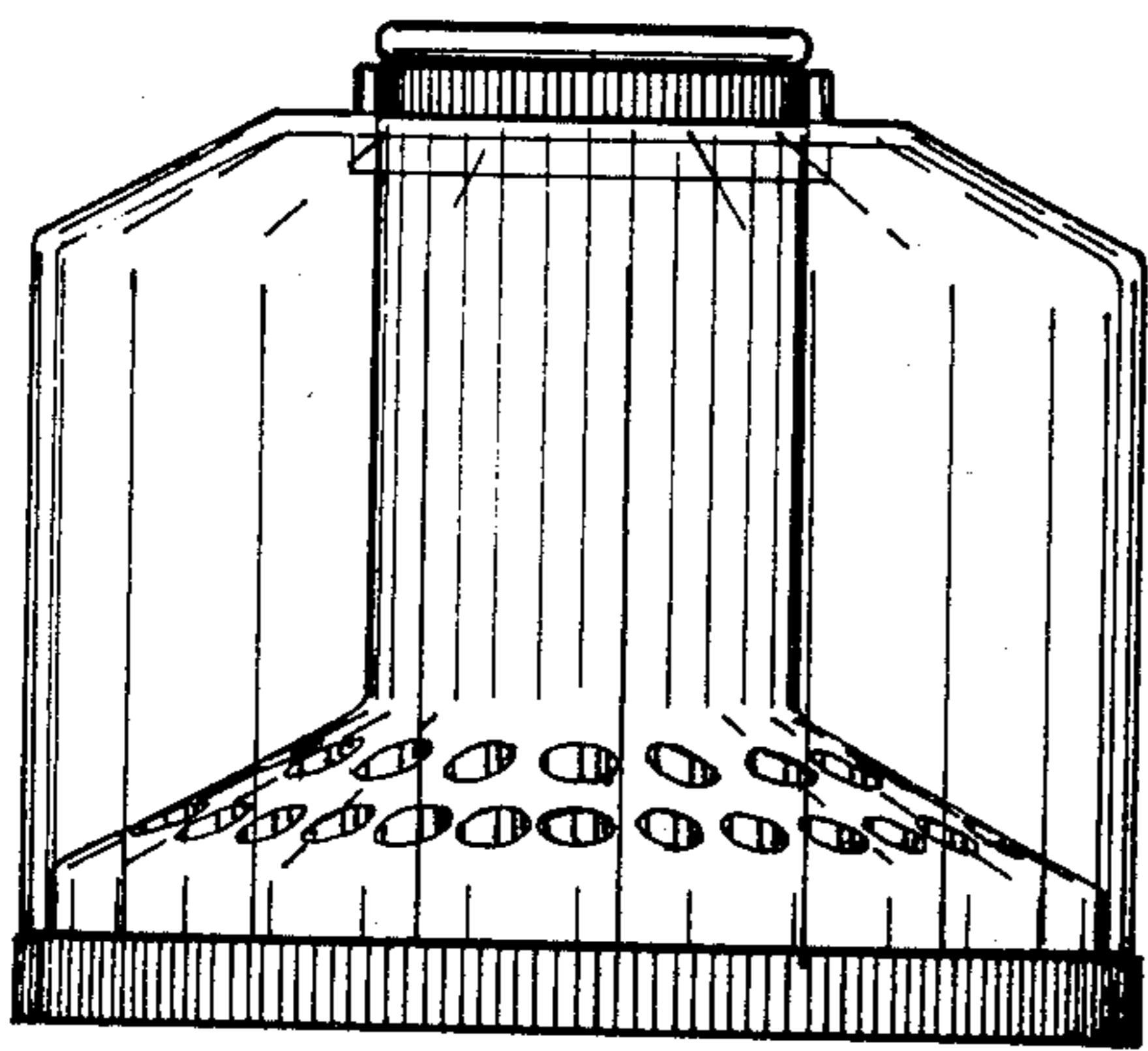


FIG. 2

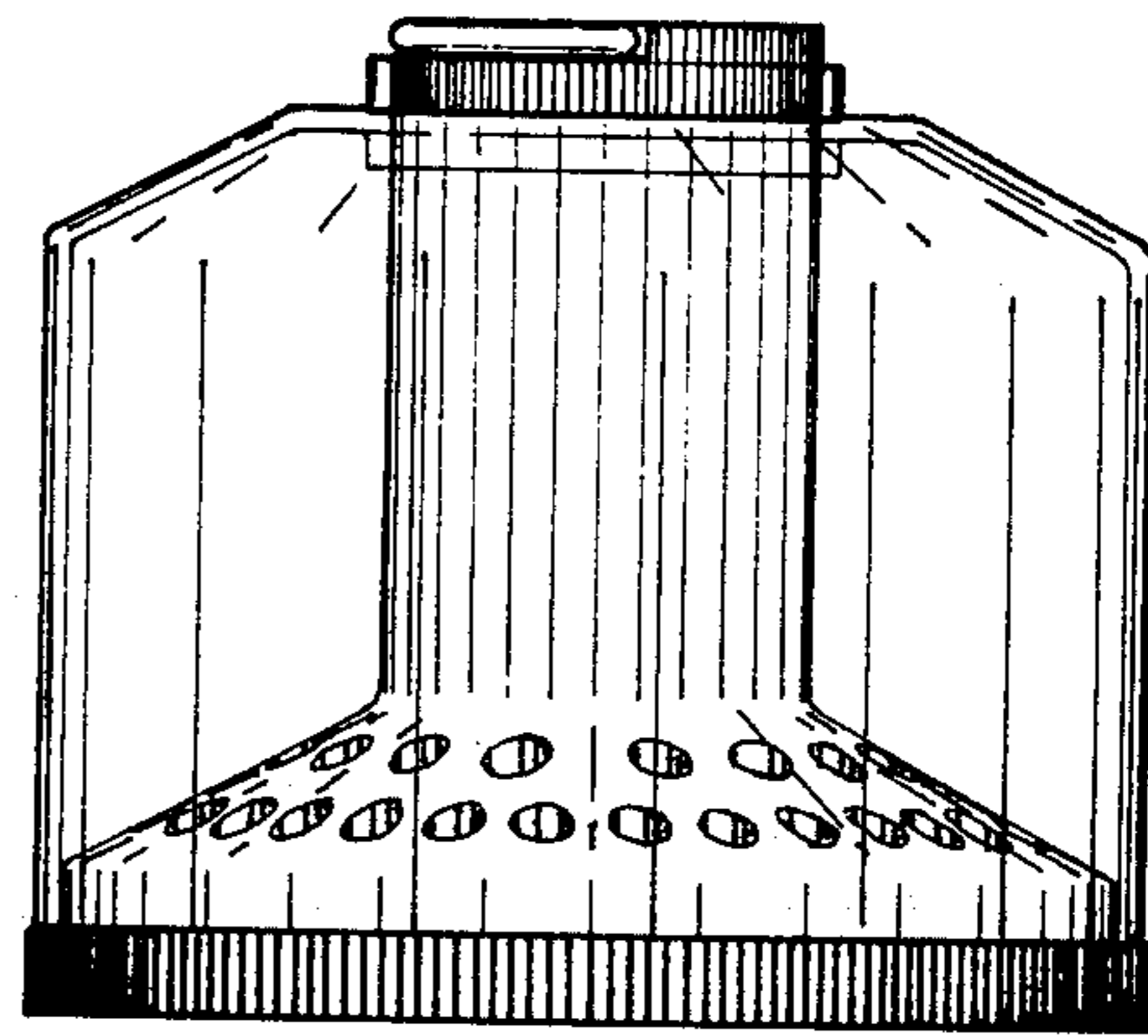


FIG. 4

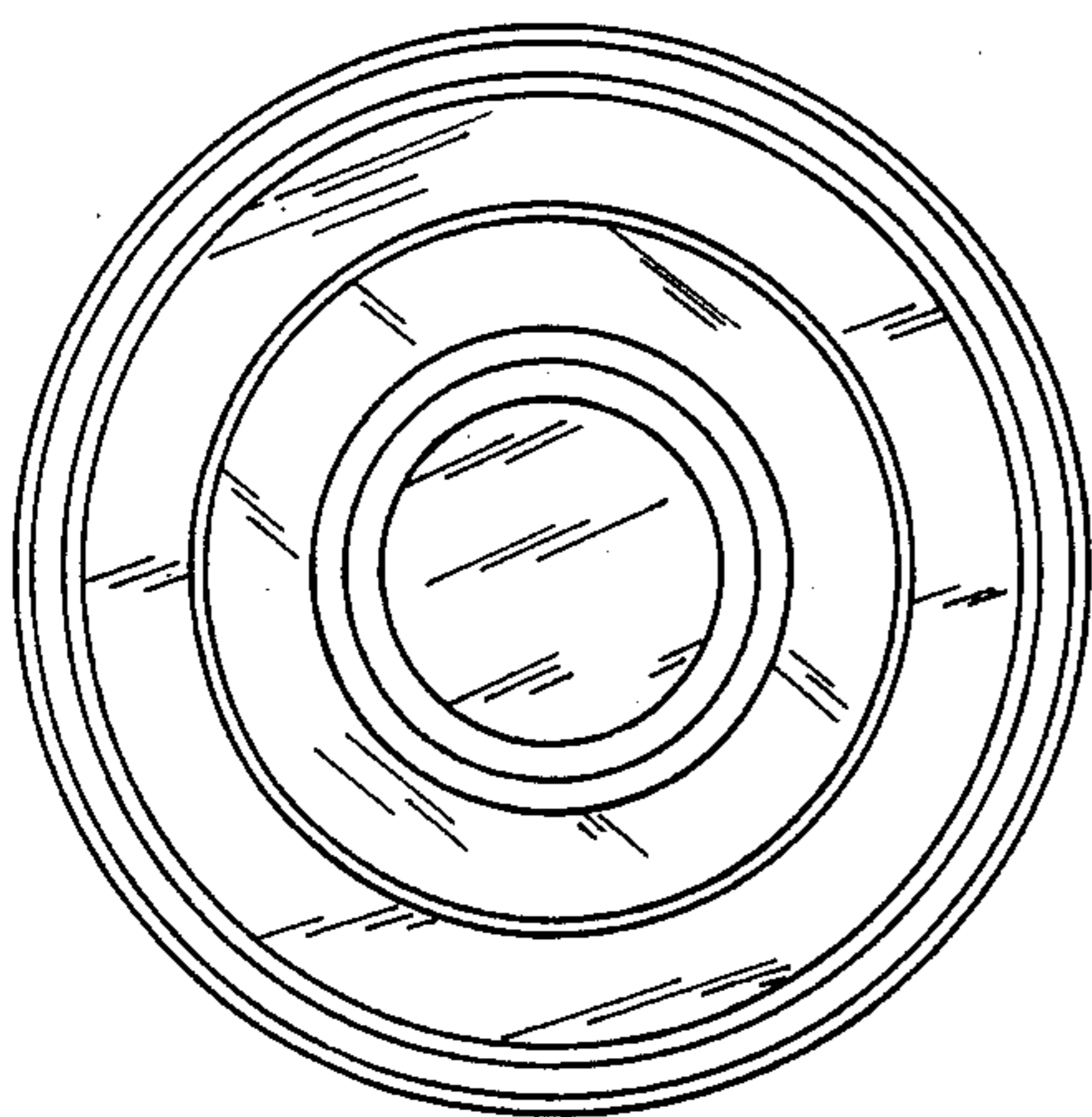


FIG. 3

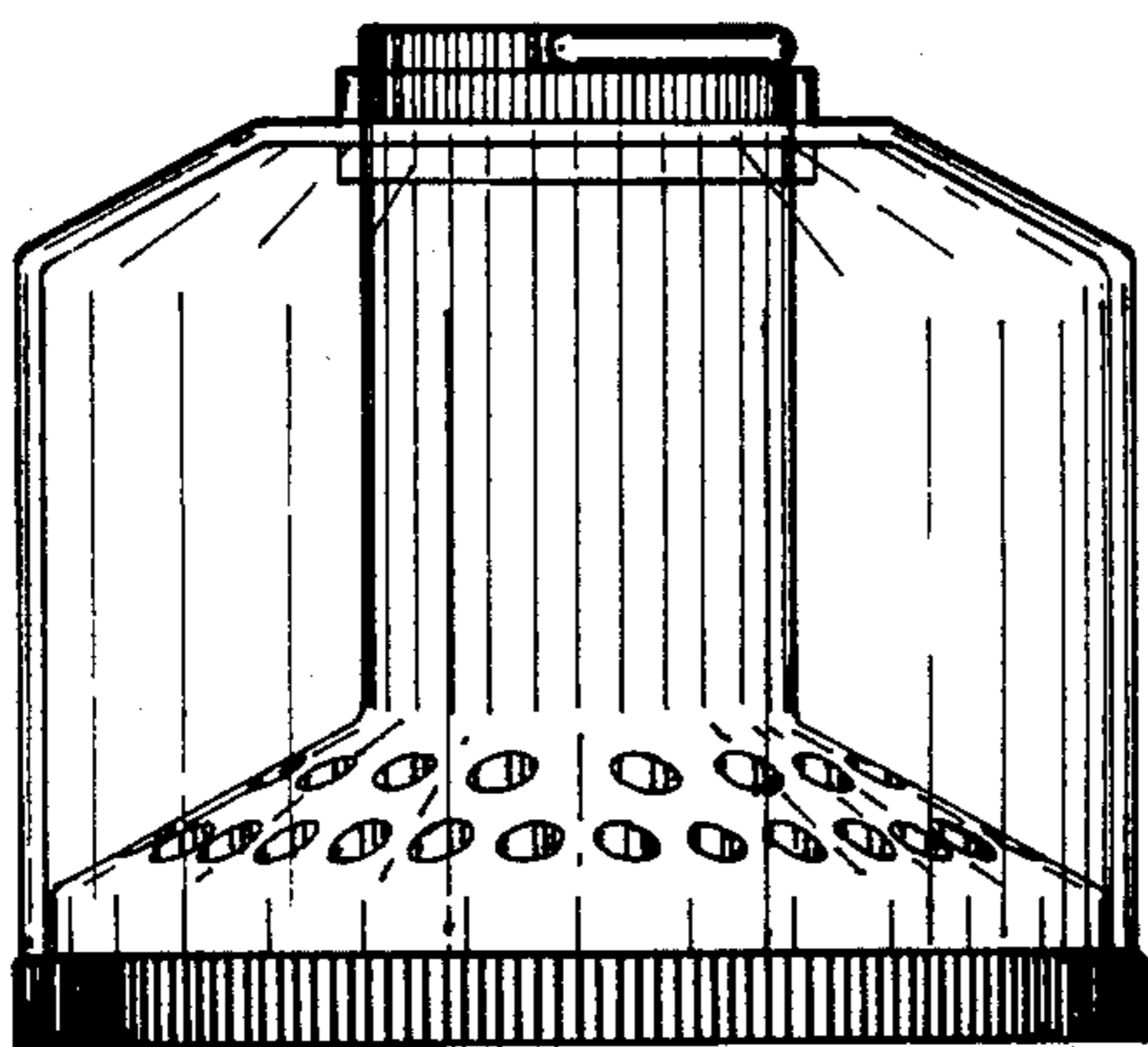


FIG. 5

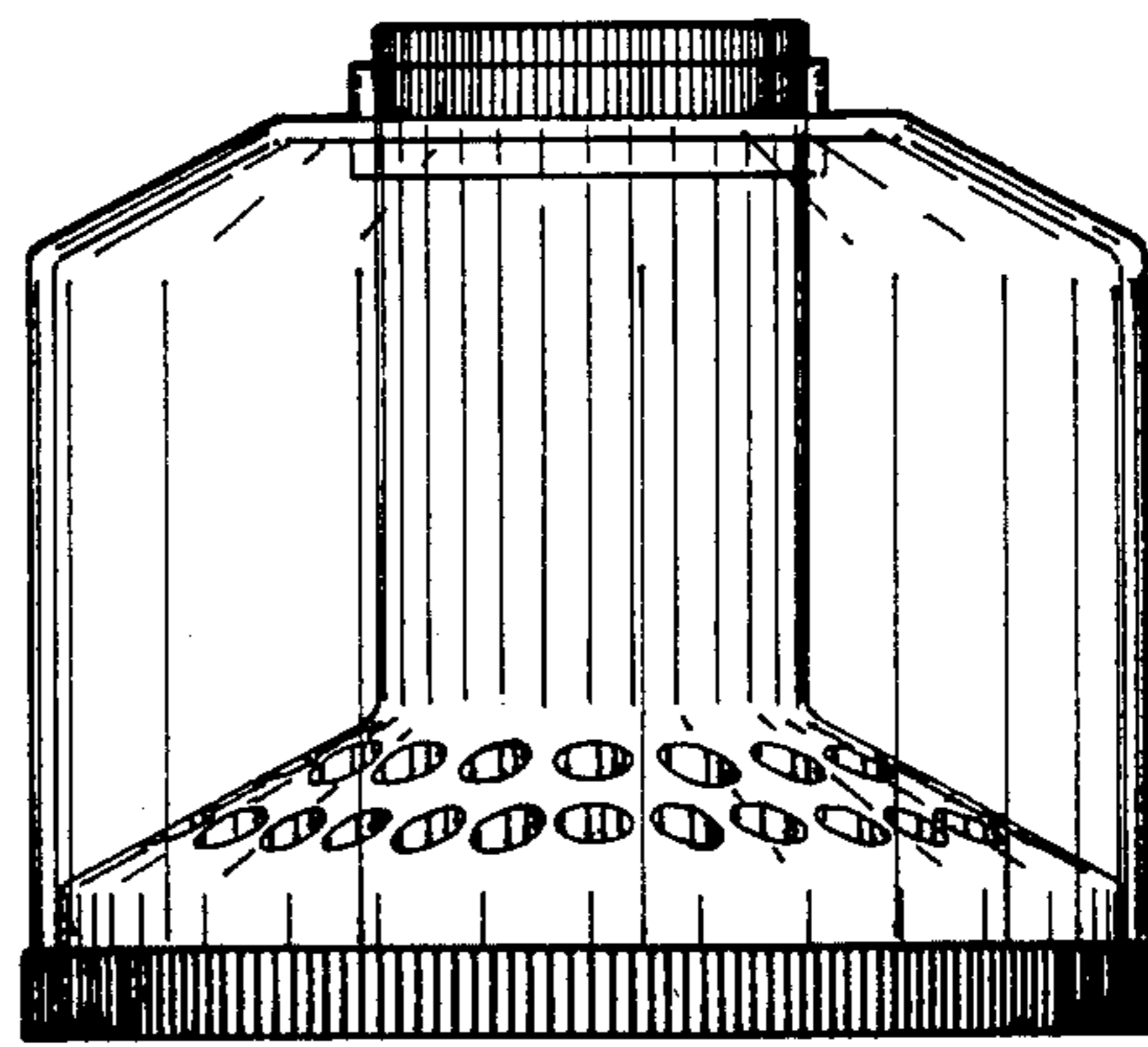


FIG. 6

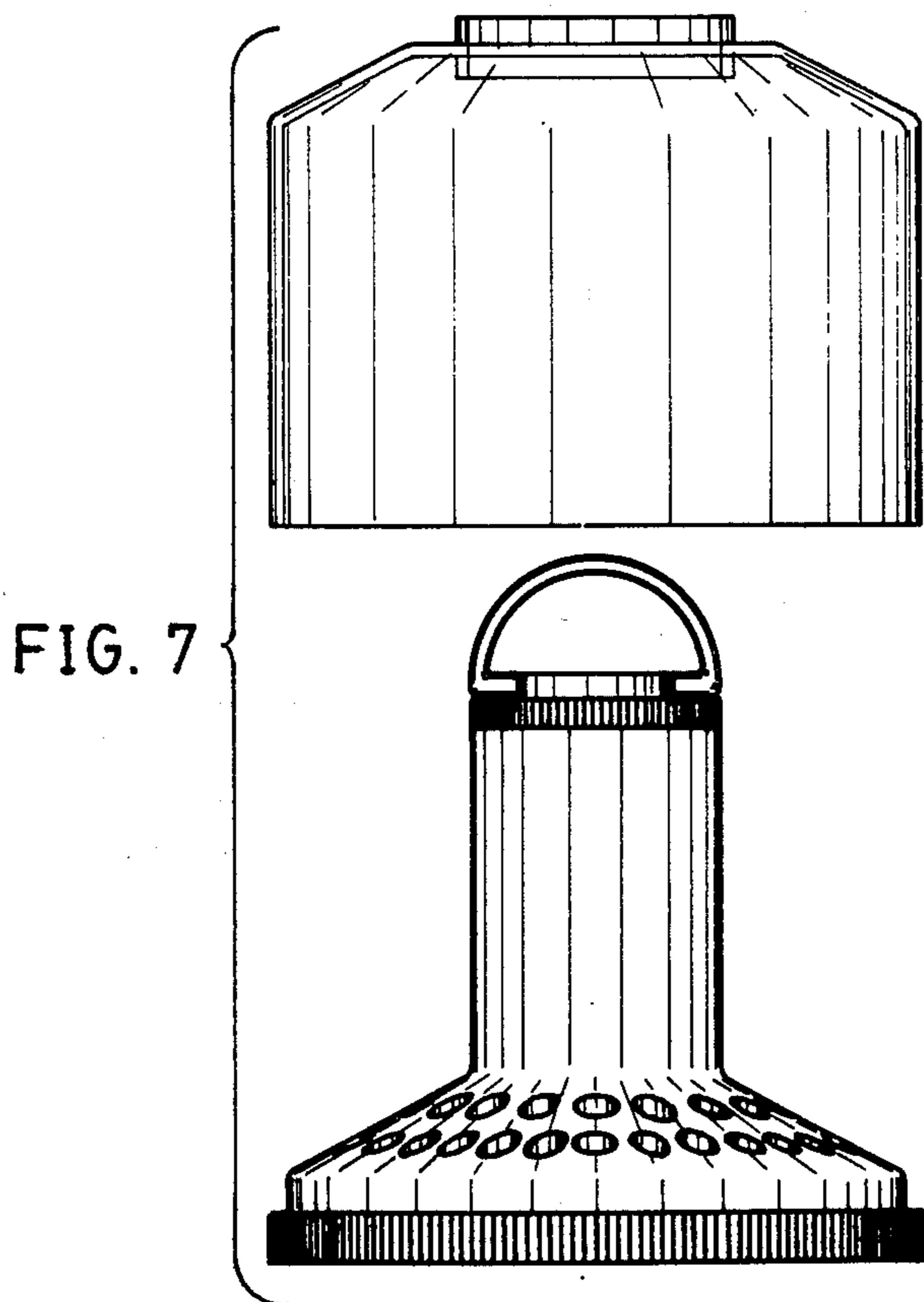


FIG. 7