

# United States Patent [19]

Ishida

[11] Patent Number: Des. 298,262

[45] Date of Patent: \*\* Oct. 25, 1988

[54] VALIDATOR FOR CHECKS OR THE LIKE

[75] Inventor: Katsuhiro Ishida, Osaka, Japan

[73] Assignee: Sharp Corporation, Osaka, Japan

[\*\*] Term: 14 Years

[21] Appl. No.: 869,080

[22] Filed: May 29, 1986

[30] Foreign Application Priority Data

Dec. 2, 1985 [JP] Japan ..... 60-50523

[52] U.S. Cl. .... D14/105; D18/2;  
D18/4

[58] Field of Search ..... D18/2, 6-12,  
D18/4; D14/100, 104-106; 200/5 A;  
364/706-710

[56] References Cited

U.S. PATENT DOCUMENTS

D. 204,329 4/1966 Simmons ..... D18/6 X

D. 254,617 4/1980 Yamasaki ..... D14/105

D. 260,884 9/1981 Sakamoto ..... D14/105

D. 264,599 5/1982 Sakamoto et al. .... D18/4

D. 279,104 6/1985 Satake ..... D18/2

D. 288,203 2/1987 Akiyama ..... D14/106

Primary Examiner—Louis S. Zarfes

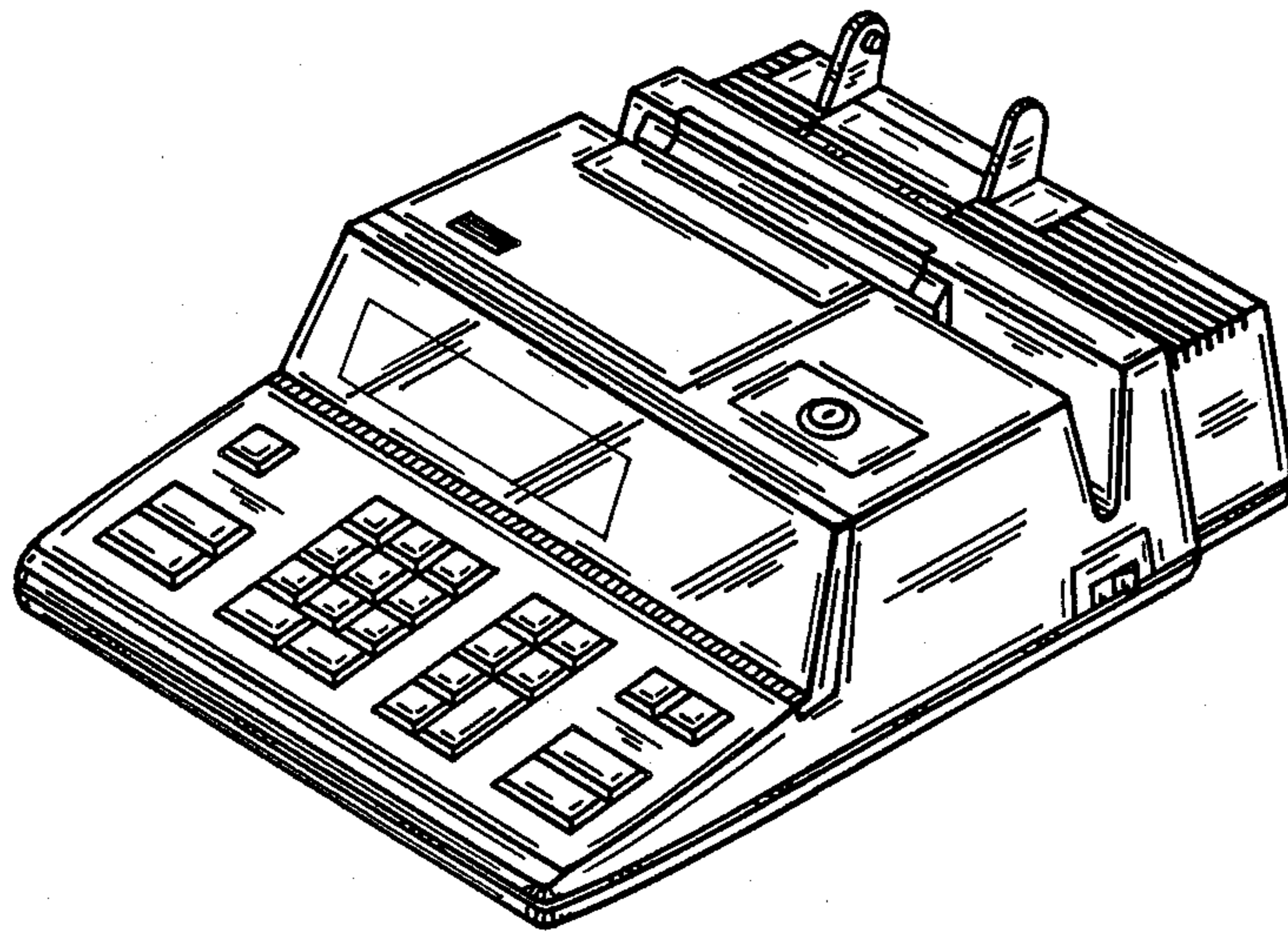
Attorney, Agent, or Firm—Flehr, Hohbach, Test,  
Albritton & Herbert

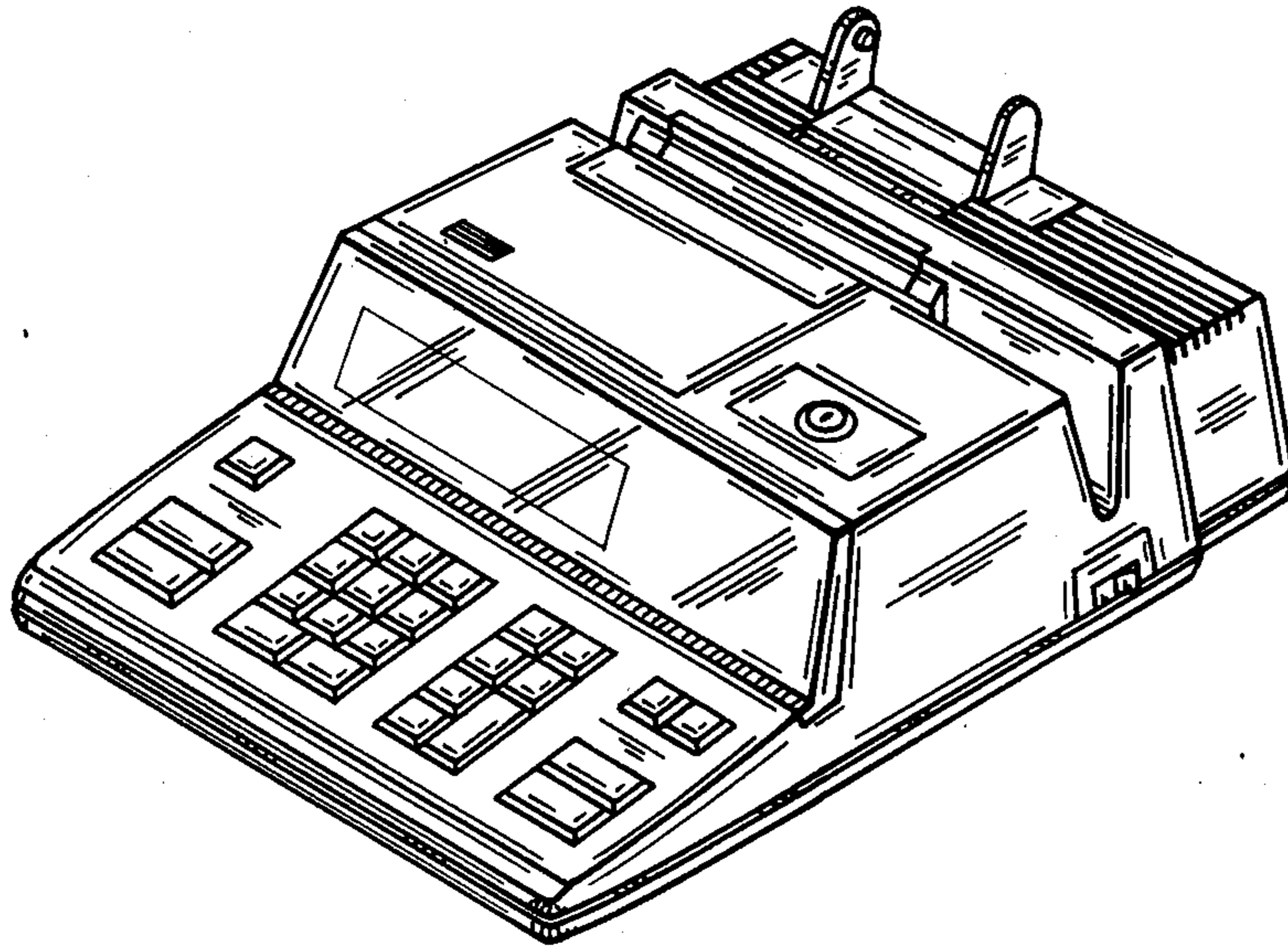
[57] CLAIM

The ornamental design for a validator for checks or the like, as shown and described.

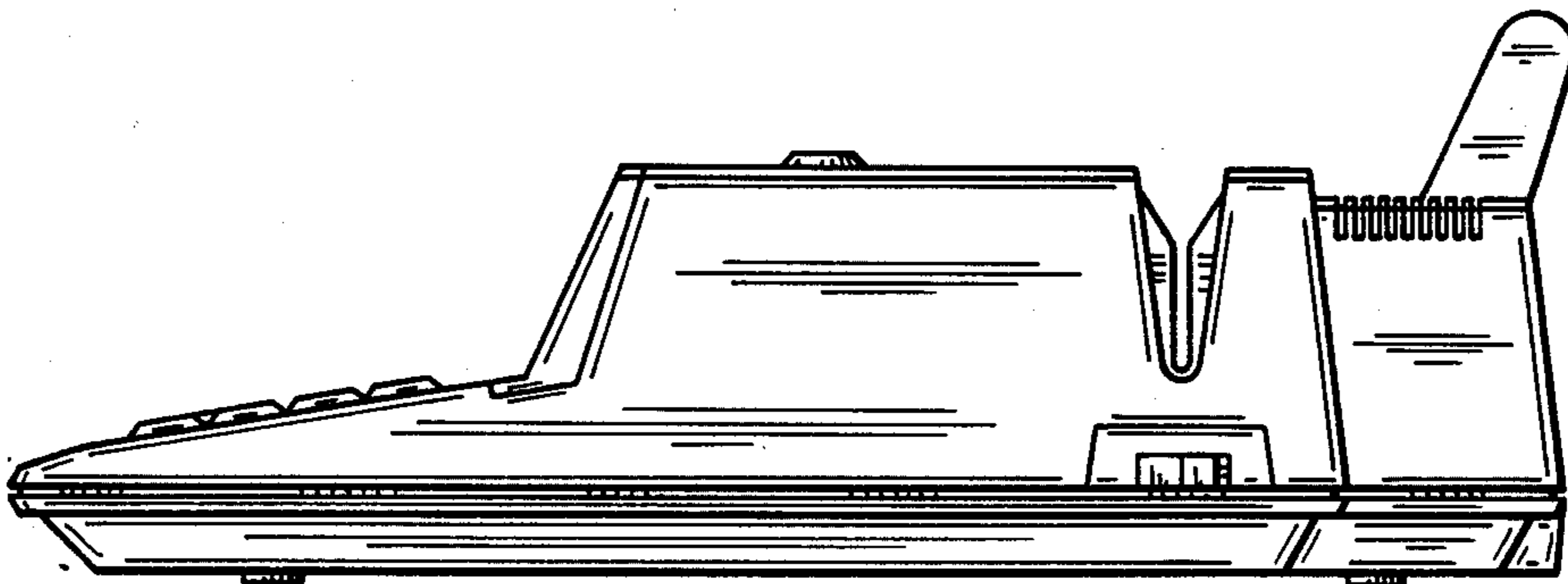
## DESCRIPTION

FIG. 1 is a perspective view of reduced size of the validator for checks or the like showing my new design; FIG. 2 is a top plan view thereof; FIG. 3 is a bottom plan view thereof; FIG. 4 is a front elevational view thereof; FIG. 5 is a rear elevational view thereof; FIG. 6 is a right side elevational view thereof; and FIG. 7 is a left side elevational view thereof.

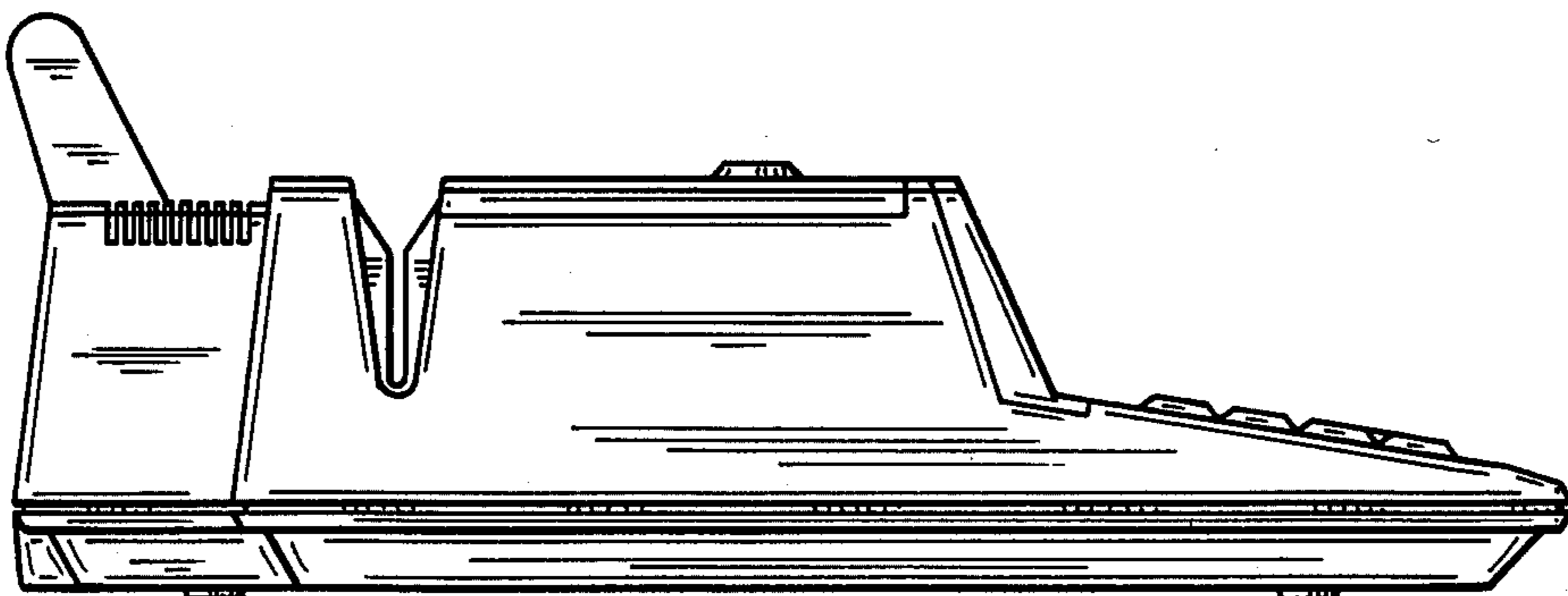




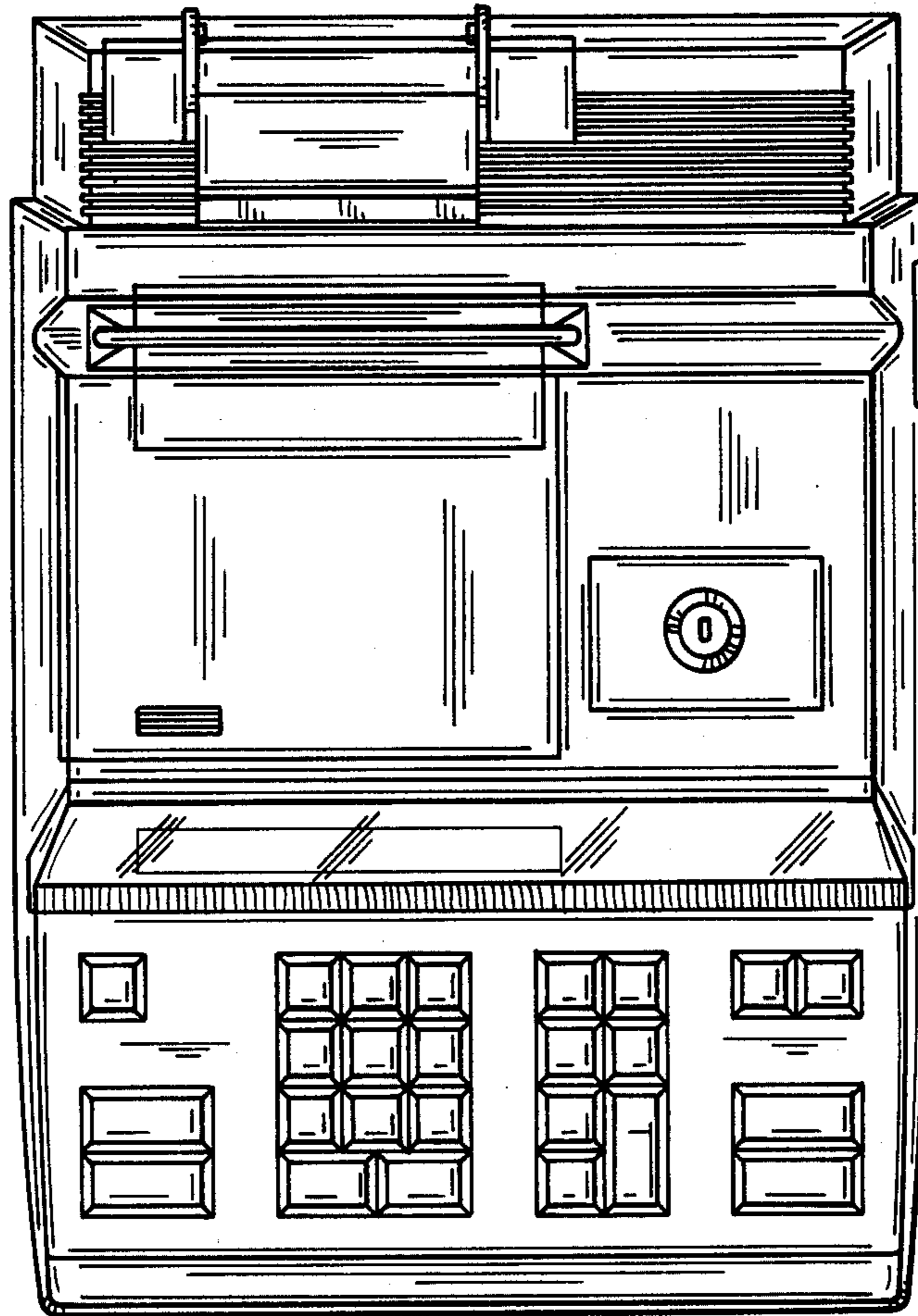
FIG\_1



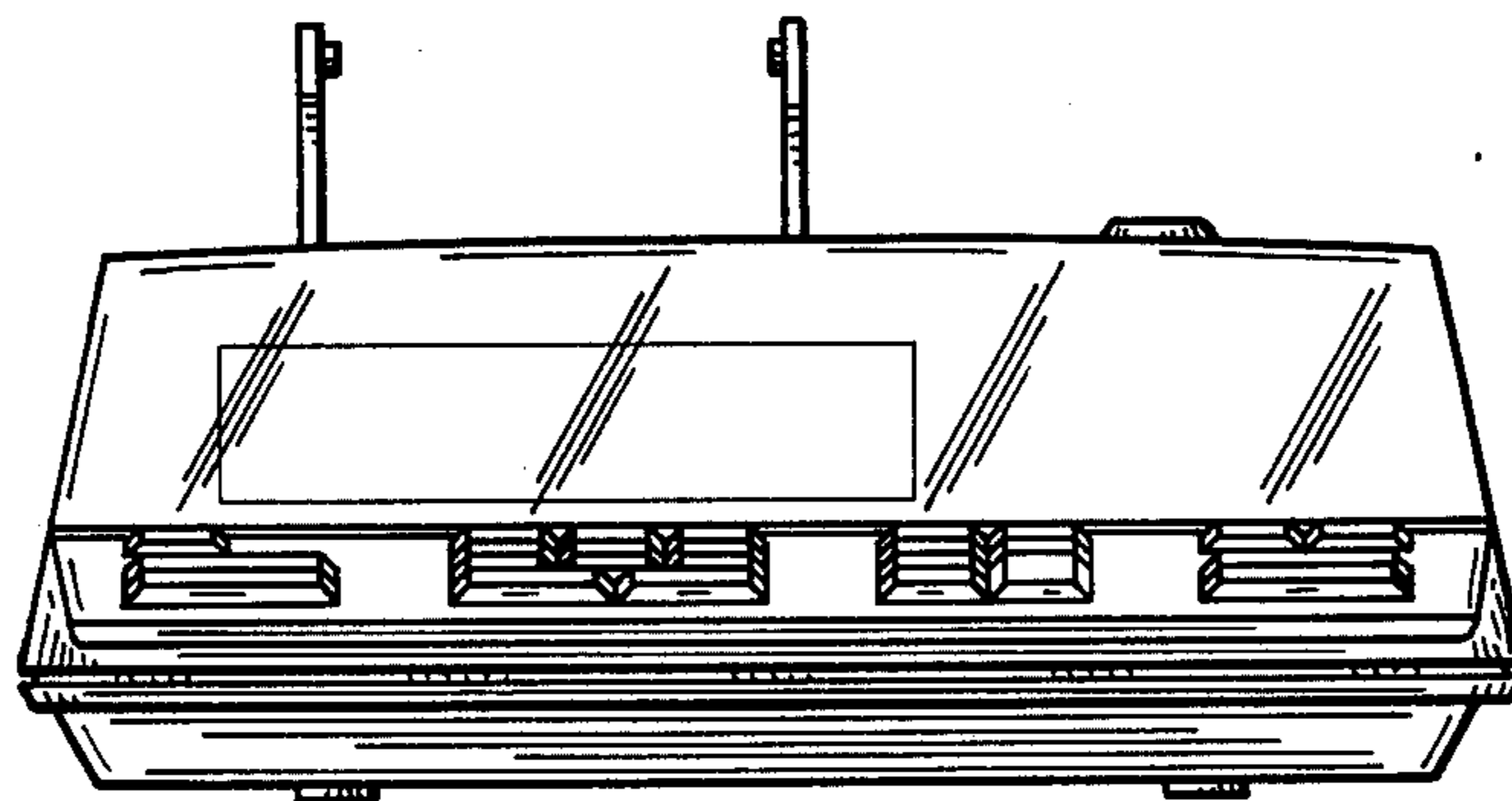
FIG\_6



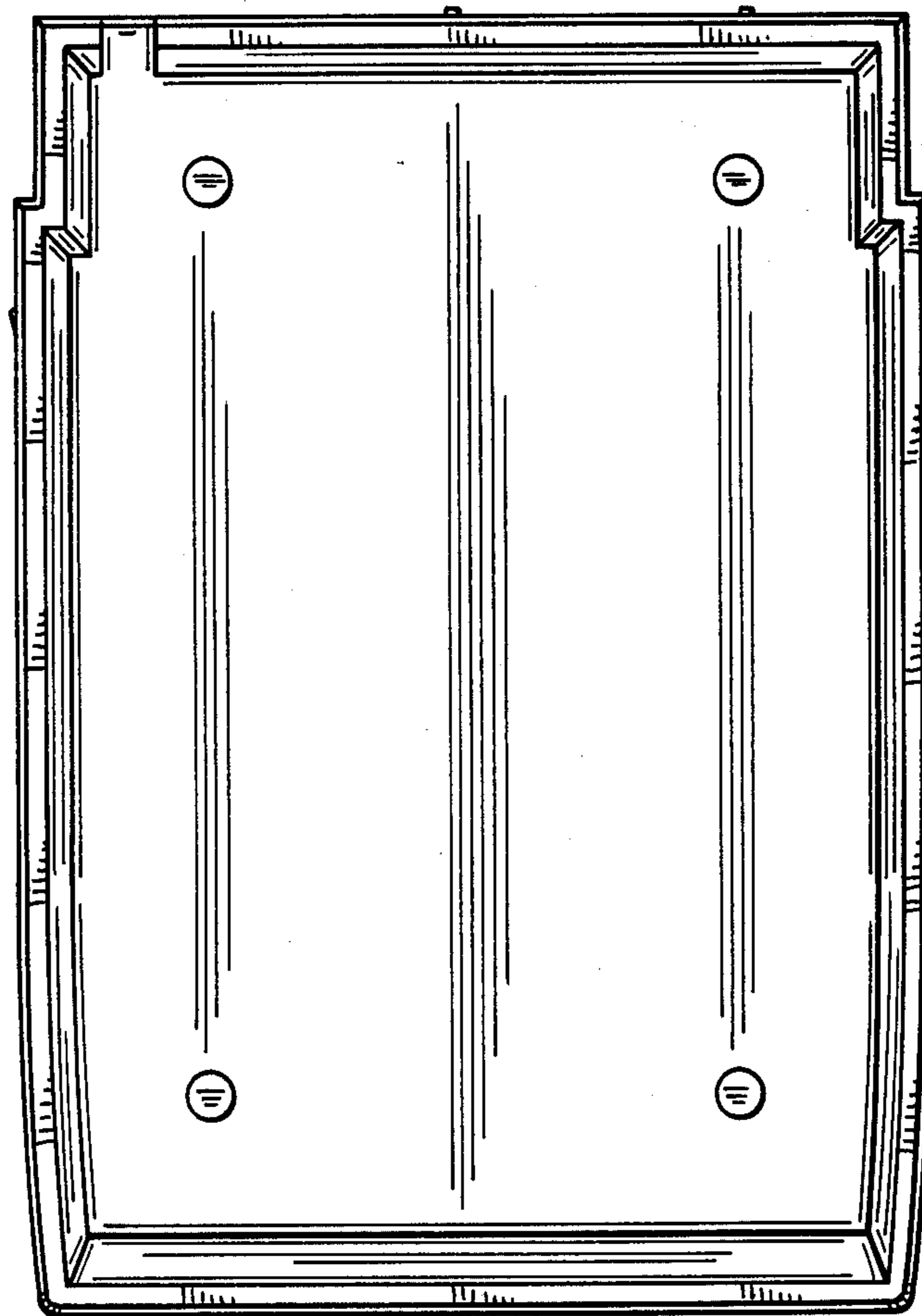
FIG\_7



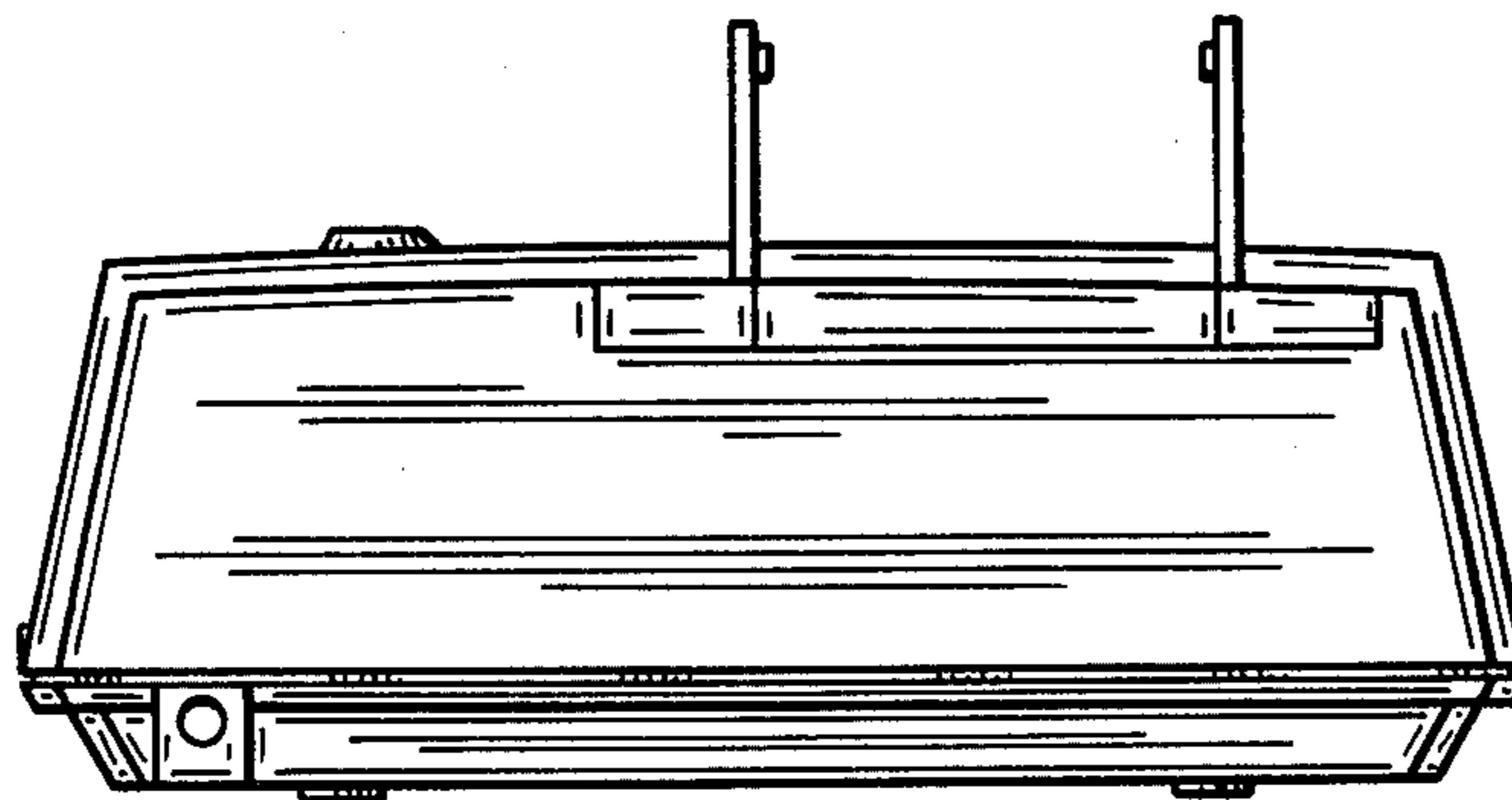
FIG\_2



FIG\_4



*FIG\_3*



*FIG\_5*