

United States Patent [19]

Masaki

[11] Patent Number: **Des. 298,259**

[45] Date of Patent: **** Oct. 25, 1988**

[54] **DRUM KIT FOR
ELECTROPHOTOGRAPHIC COPIER**

[75] Inventor: **Nobuo Masaki, Kawasaki, Japan**

[73] Assignee: **Canon Kabushiki Kaisha, Tokyo,
Japan**

[**] Term: **14 Years**

[21] Appl. No.: **850,911**

[22] Filed: **Apr. 8, 1986**

[30] **Foreign Application Priority Data**

Oct. 12, 1985 [JP] Japan 60-42851

[52] U.S. Cl. **D16/32**

[58] Field of Search **D16/27-31,
D16/32; 355/3 R, 3 DD, 3 DR, 14 R, 14 D, 11**

[56] **References Cited**

U.S. PATENT DOCUMENTS

D. 276,916 12/1984 Masaki .

D. 286,542 11/1986 Saito D16/32

D. 287,023 12/1986 Masaki .
3,999,514 12/1976 Abbott 355/3 DD
4,523,834 6/1985 Pelda 355/3 DD
4,583,842 4/1986 Shimono 355/3 DD
4,583,843 4/1986 Ohata 355/3 DD
4,695,153 9/1987 Matsushita 355/3 DD

Primary Examiner—Nelson C. Holtje

Attorney, Agent, or Firm—Fitzpatrick, Cella, Harper & Scinto

[57] **CLAIM**

The ornamental design for a drum kit for electrophotographic copier, as shown and described.

DESCRIPTION

FIG. 1 is a front view of a drum kit for electrophotographic copier;

FIG. 2 is a rear view thereof;

FIG. 3 is a top plan view thereof;

FIG. 4 is a bottom plan view thereof;

FIG. 5 is a left side elevational view thereof;

FIG. 6 is a right side elevational view thereof;

FIG. 7 is a top and right front perspective view thereof.

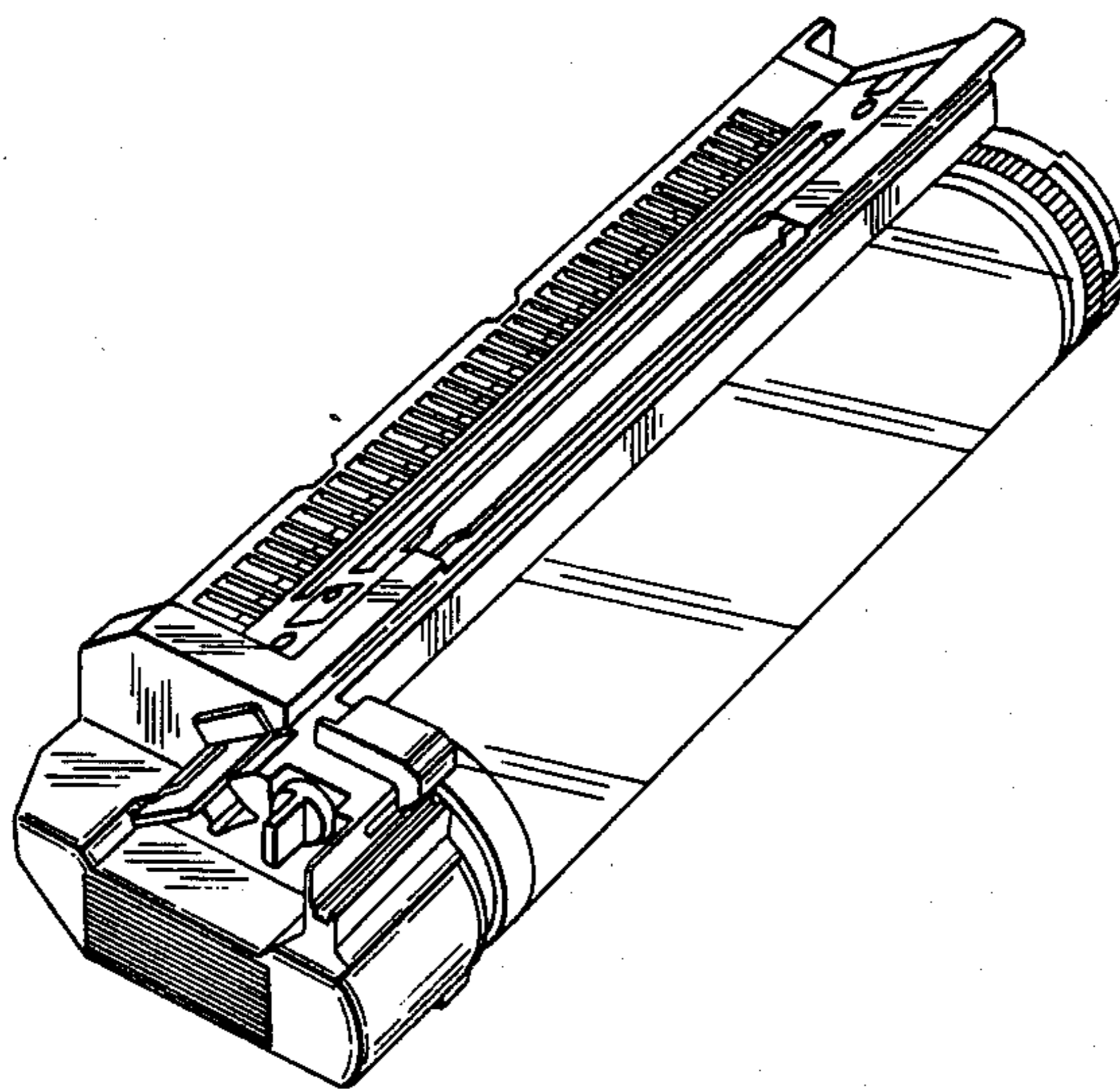


FIG. 1

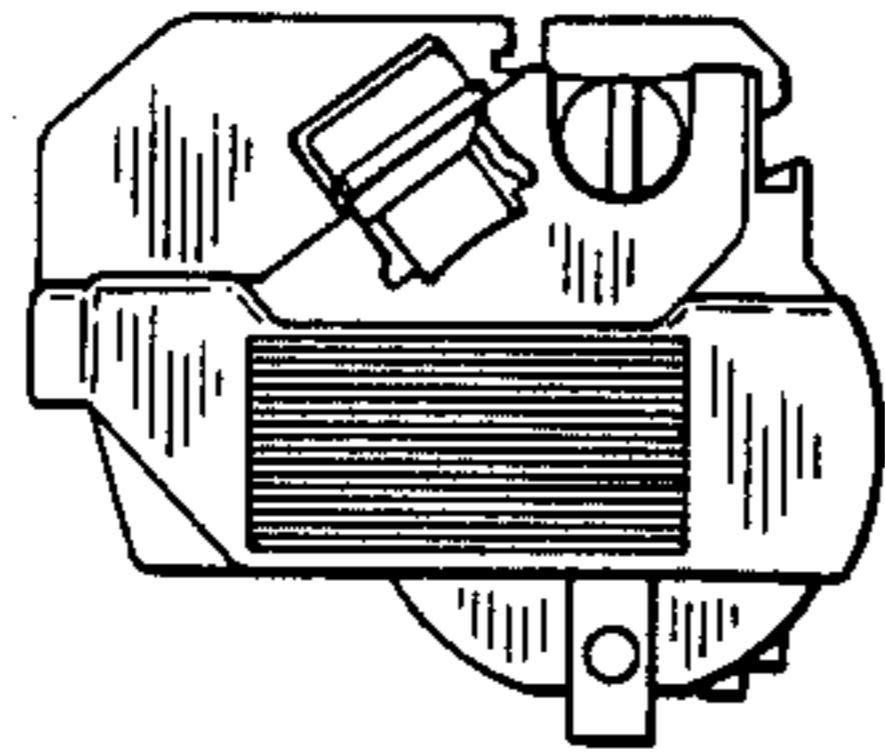


FIG. 2

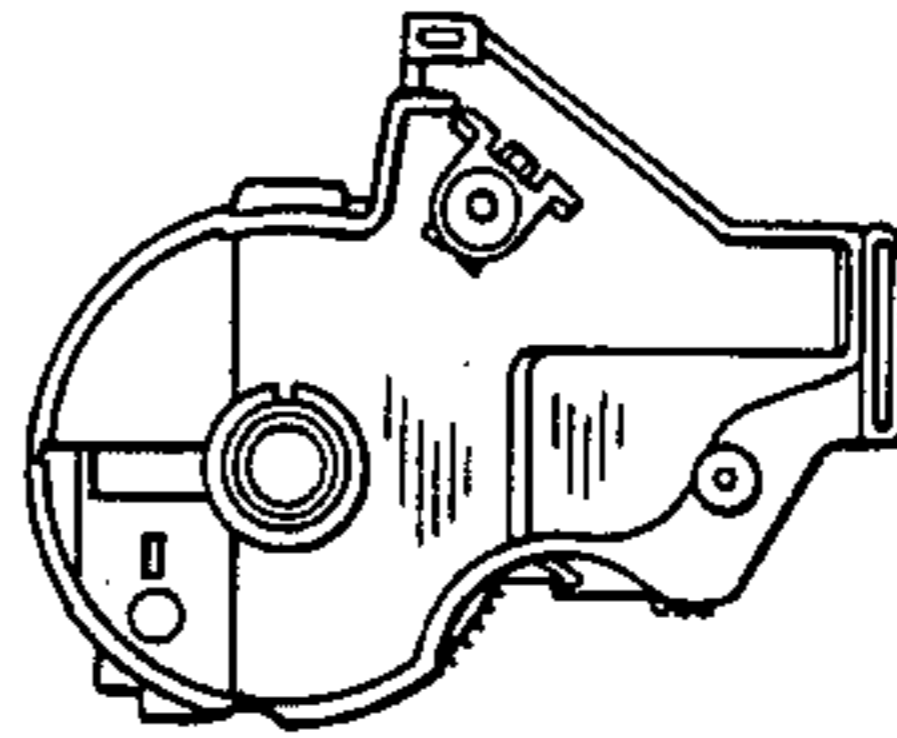


FIG. 3

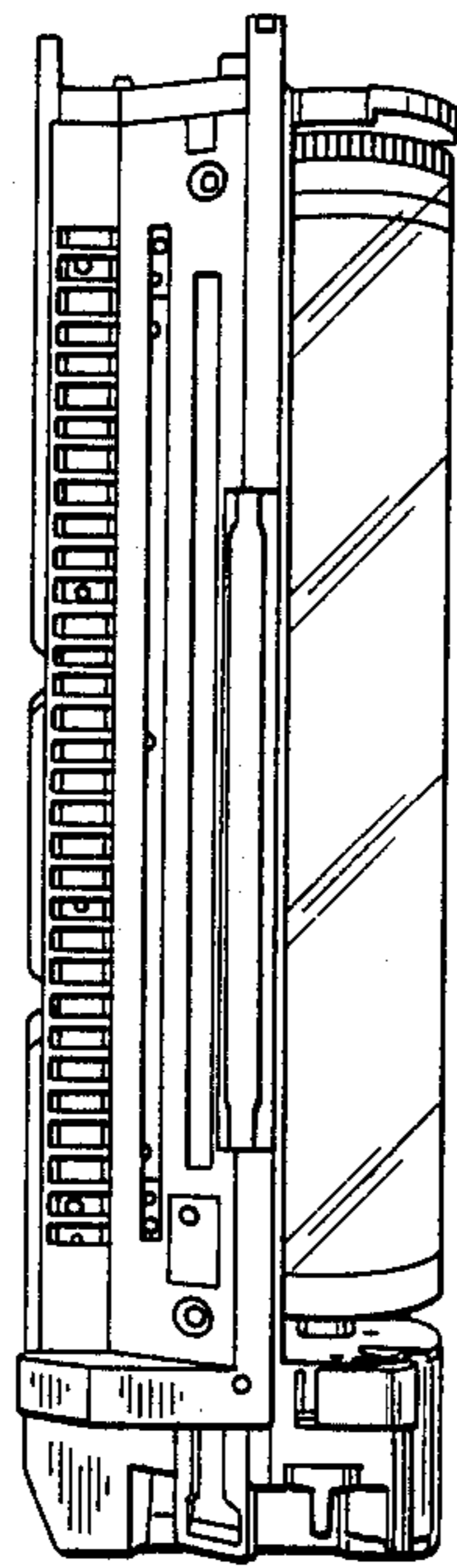


FIG. 4

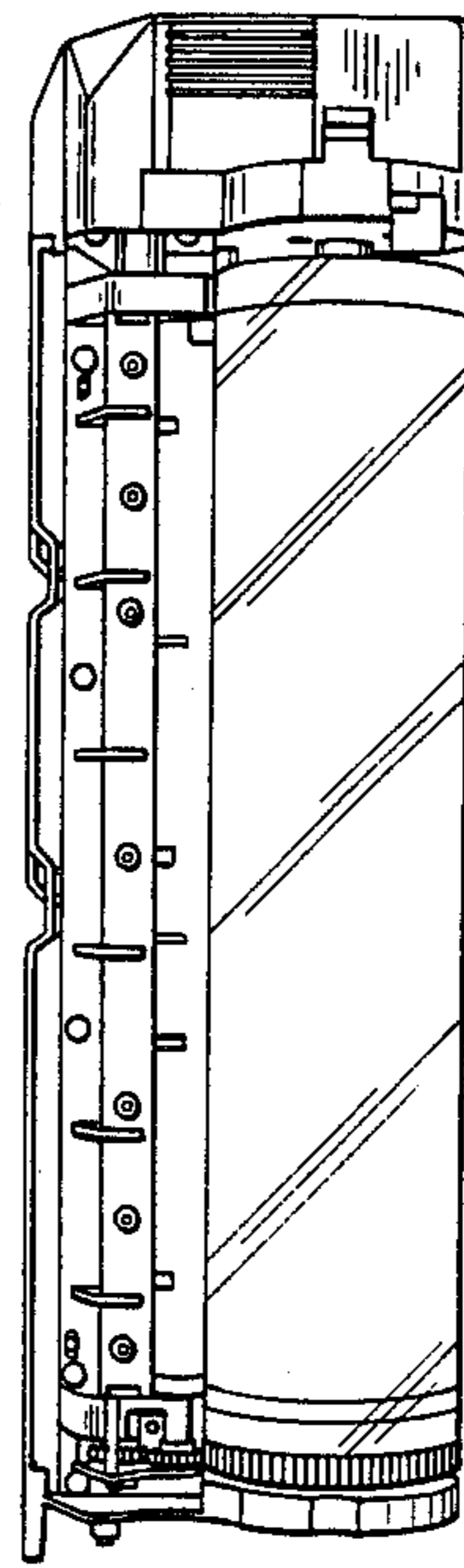


FIG. 5

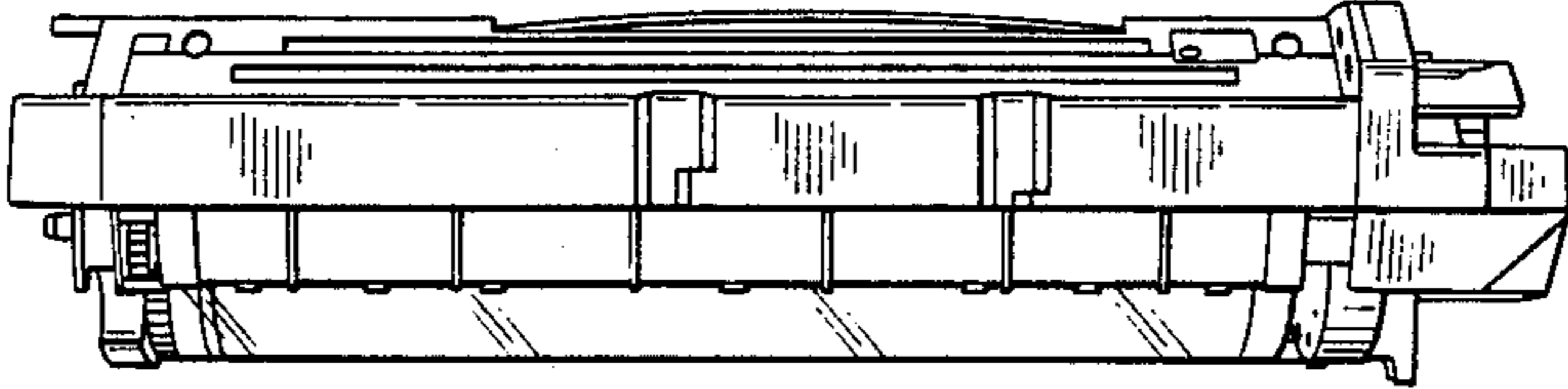


FIG. 6

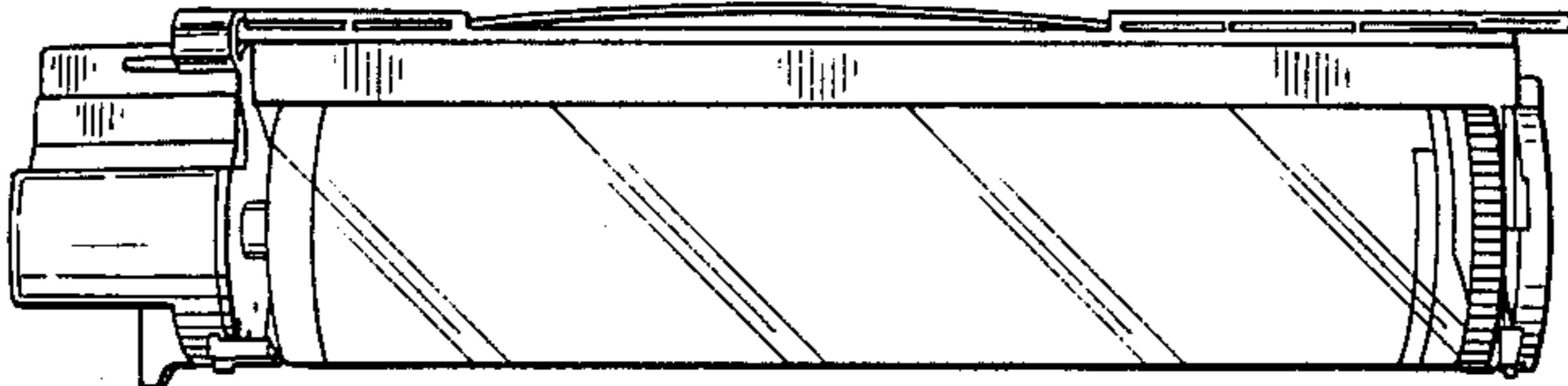


FIG. 7

