

[54] TONER CARTRIDGE

[75] Inventor: Kiyoshi Shibata, Osaka, Japan

[73] Assignee: Mita Industries Co., Ltd., Osaka, Japan

[**] Term: 14 Years

[21] Appl. No.: 822,096

[22] Filed: Jan. 24, 1986

[30] Foreign Application Priority Data

Oct. 14, 1985 [JP] Japan 60-42964

[52] U.S. Cl. D16/32

[58] Field of Search D16/27-32;
355/3 R, 3 DD, 3 DR, 11, 14 R, 14 D; D9/375,
390, 399, 415, 424, 425, 432; 206/446, 461, 495;
222/DIG. 1

[56] References Cited

U.S. PATENT DOCUMENTS

D. 238,658 2/1976 Stone D16/27
D. 245,761 9/1977 Alseth D16/32
D. 277,289 1/1985 Sabin D16/32
4,456,154 6/1984 Herriman 222/DIG. 1 X
4,573,614 3/1986 Ozawa 222/DIG. 1
4,589,579 5/1986 Morita 222/DIG. 1

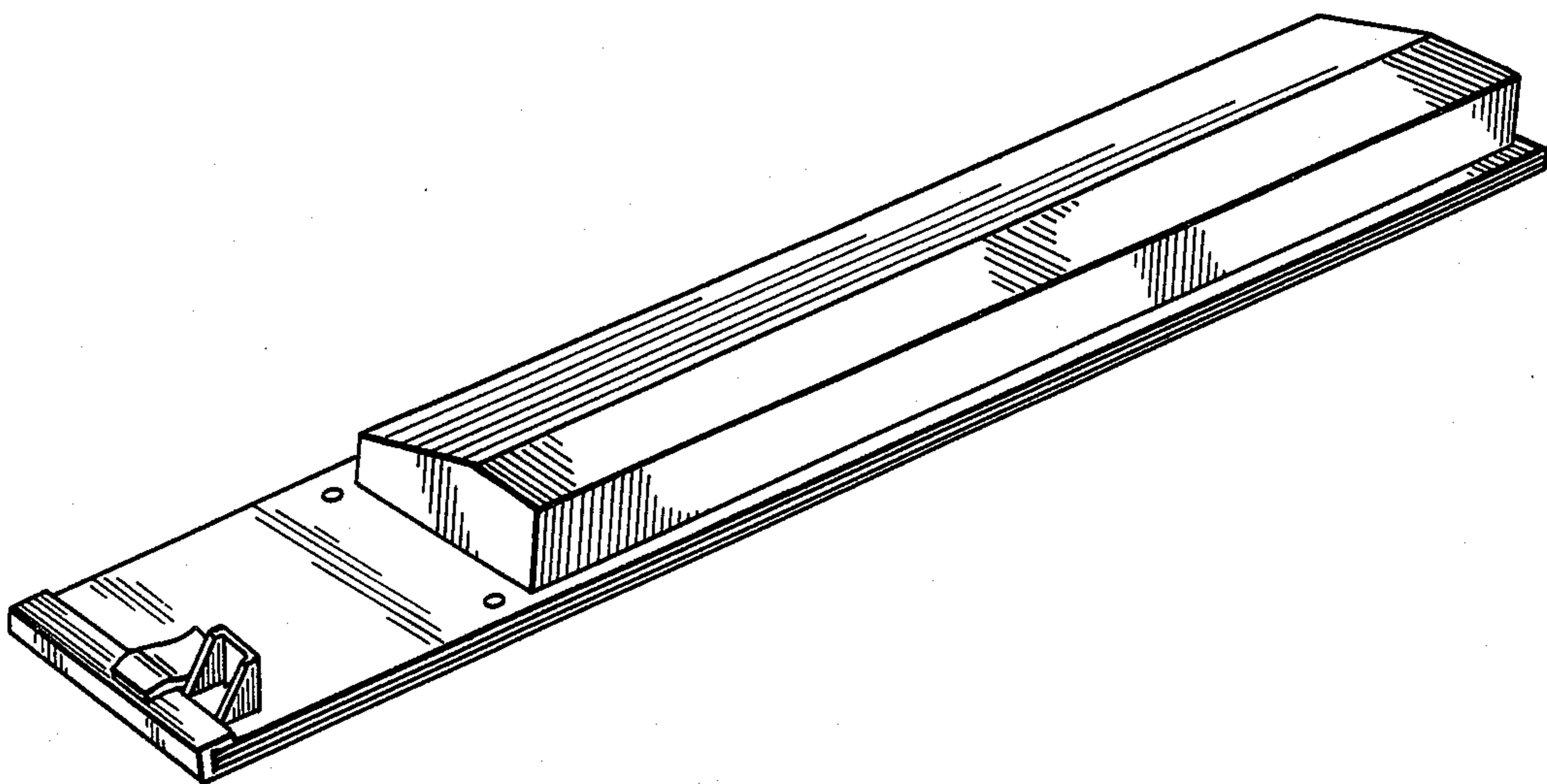
Primary Examiner—Nelson C. Holtje
Attorney, Agent, or Firm—Beveridge, DeGrandi &
Weilacher

[57] CLAIM

The ornamental design for a toner cartridge, as shown.

DESCRIPTION

FIG. 1 is a top and right front perspective view of a toner cartridge showing my new design;
FIG. 2 is a front elevational view thereof;
FIG. 3 is a rear elevational view thereof;
FIG. 4 is a right side elevational view thereof;
FIG. 5 is a top plan view thereof;
FIG. 6 is a left side elevational view thereof;
FIG. 7 is a bottom plan view thereof.



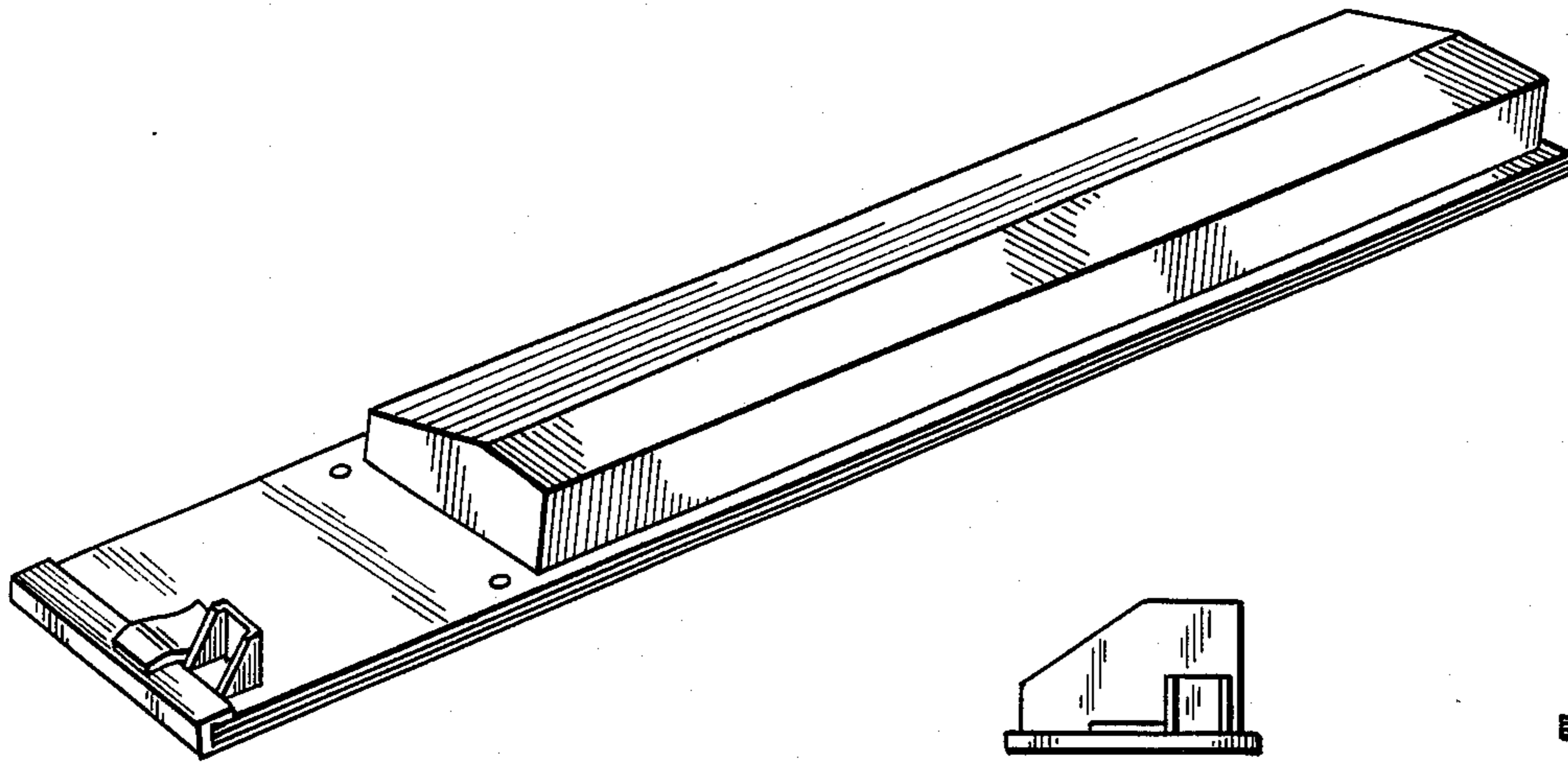


FIG. 1

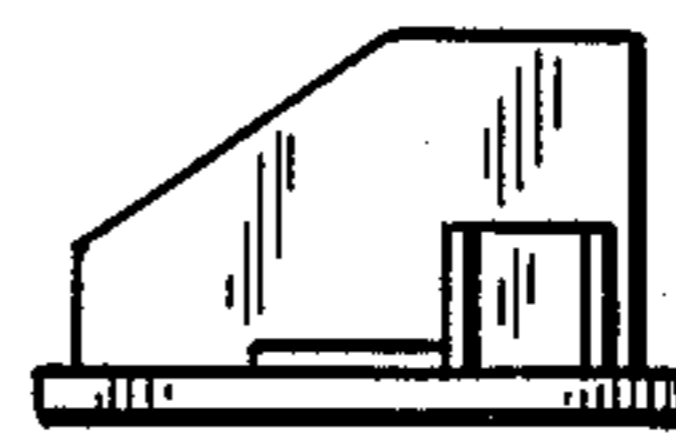


FIG. 2

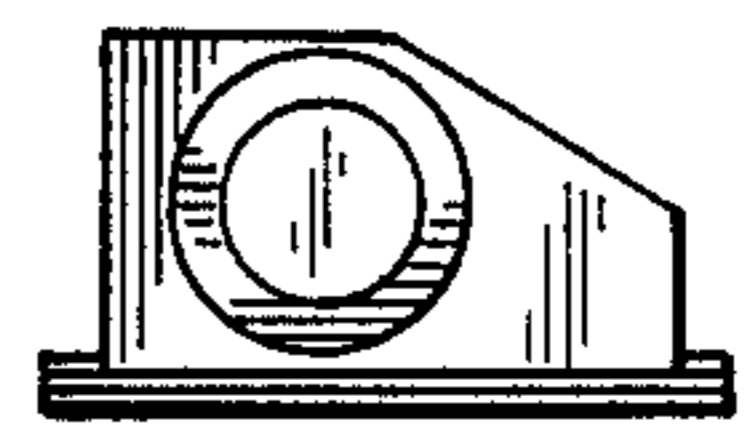


FIG. 3

FIG. 4

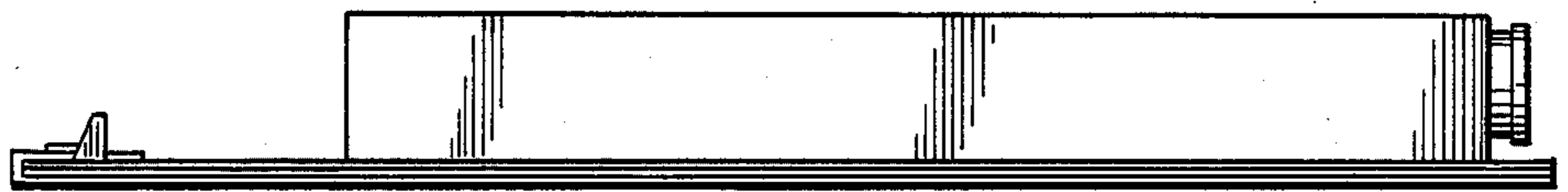


FIG. 5

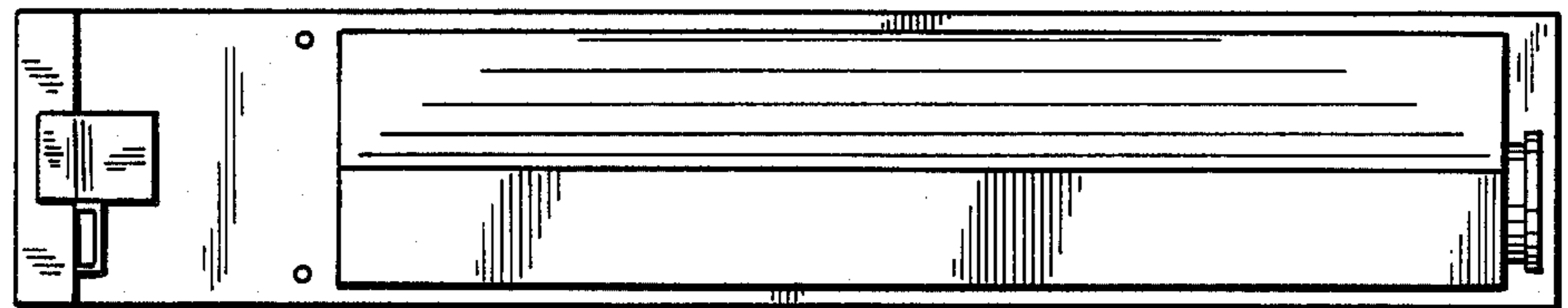


FIG. 6

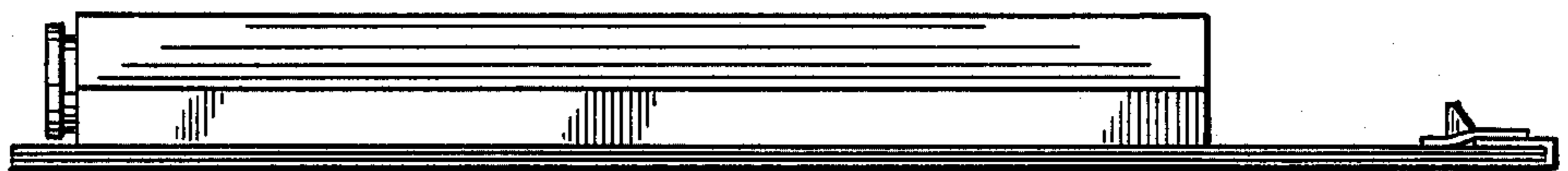


FIG. 7

