

United States Patent [19]

Hirata

[11] Patent Number: **Des. 298,255**

[45] Date of Patent: **** Oct. 25, 1988**

[54] **DEVELOPING DEVICE FOR ELECTROPHOTOGRAPHIC COPIER**

[75] Inventor: **Tomohiko Hirata, Tokyo, Japan**

[73] Assignee: **Canon Kabushiki Kaisha, Tokyo, Japan**

[**] Term: **14 Years**

[21] Appl. No.: **778,713**

[22] Filed: **Sep. 23, 1985**

[30] **Foreign Application Priority Data**

Apr. 2, 1985 [JP] Japan 60-13239

[52] U.S. Cl. **D16/32**

[58] Field of Search **D16/27-32, D16/38; 355/3 R, 3 DD, 14 D, 3 DR, 11 R**

[56] **References Cited**

U.S. PATENT DOCUMENTS

D. 276,916 12/1984 Masaki D16/32

D. 286,297 10/1986 Clowe D16/32

D. 286,541 11/1986 Takahashi D16/32

D. 286,542 11/1986 Saito D16/32

D. 287,023 12/1986 Masaki D16/32

4,530,588 7/1985 Kimura 355/3 DD X

Primary Examiner—Nelson C. Holtje

Attorney, Agent, or Firm—Fitzpatrick, Cella, Harper & Scinto

[57] **CLAIM**

The ornamental design for a developing device for electrophotographic copier, as shown and described.

DESCRIPTION

FIG. 1 is a front elevational view of a developing device for electrophotographic copier showing my new design;

FIG. 2 is a rear elevational view thereof;

FIG. 3 is a top plan view thereof;

FIG. 4 is a bottom plan view thereof;

FIG. 5 is a left side elevational view thereof;

FIG. 6 is a right side elevational view thereof;

FIG. 7 is a front and top plan perspective view thereof and

FIG. 8 is a rear and bottom plan perspective view thereof.

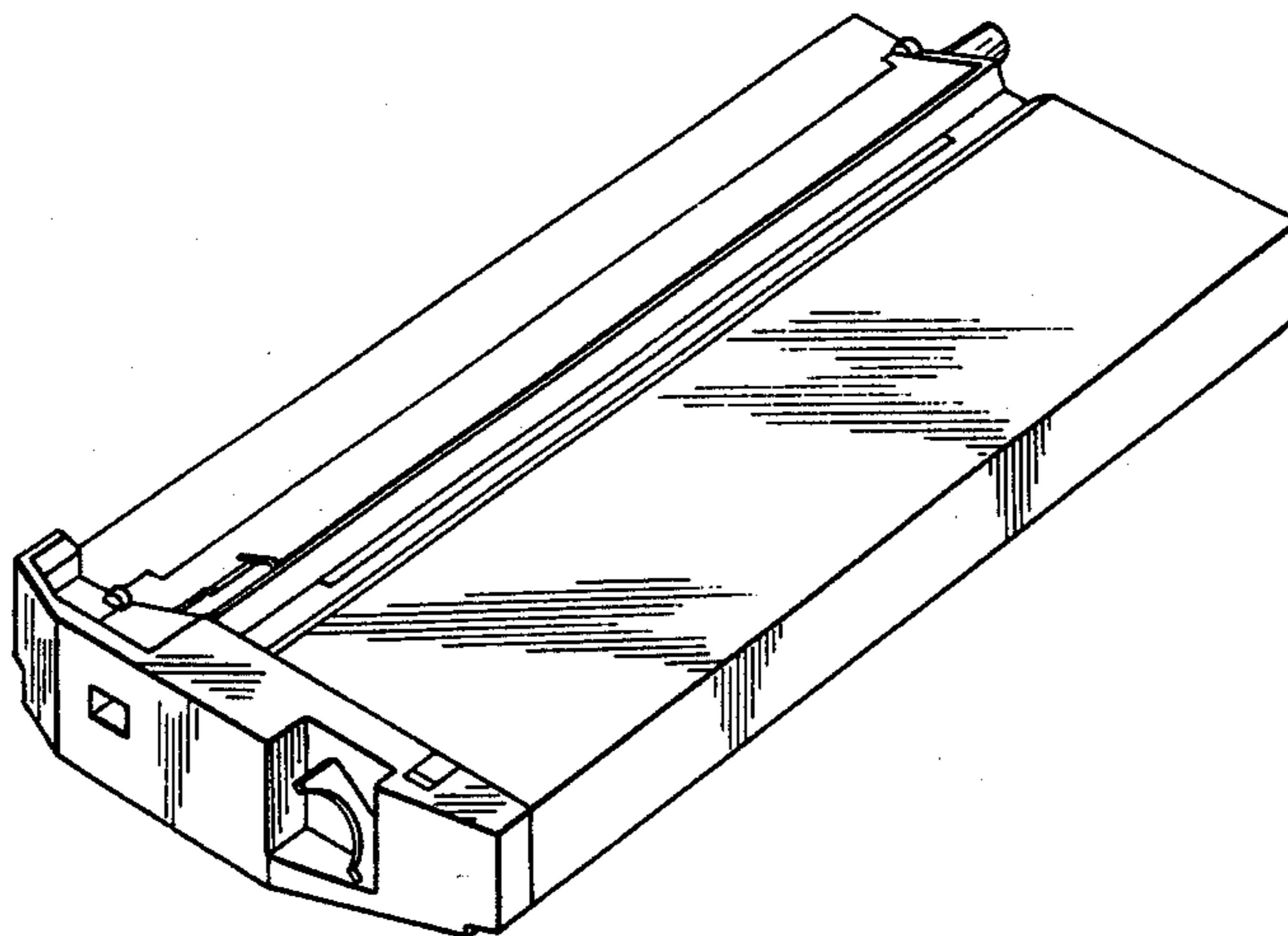


FIG. 1

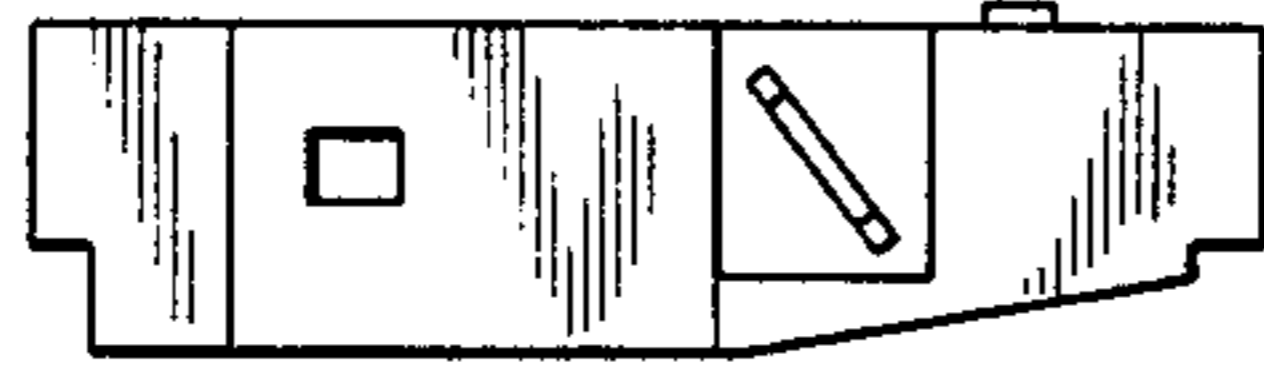


FIG. 2



FIG. 3

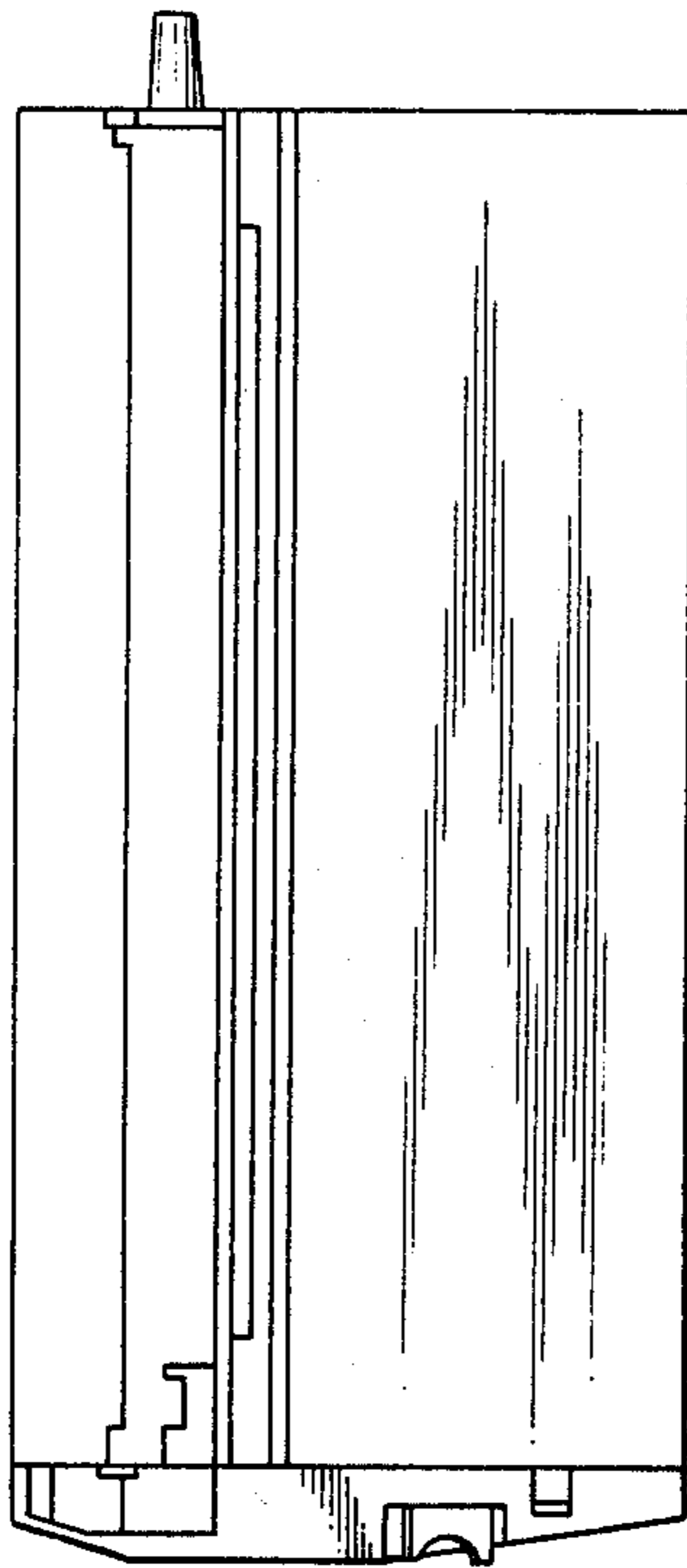


FIG. 4

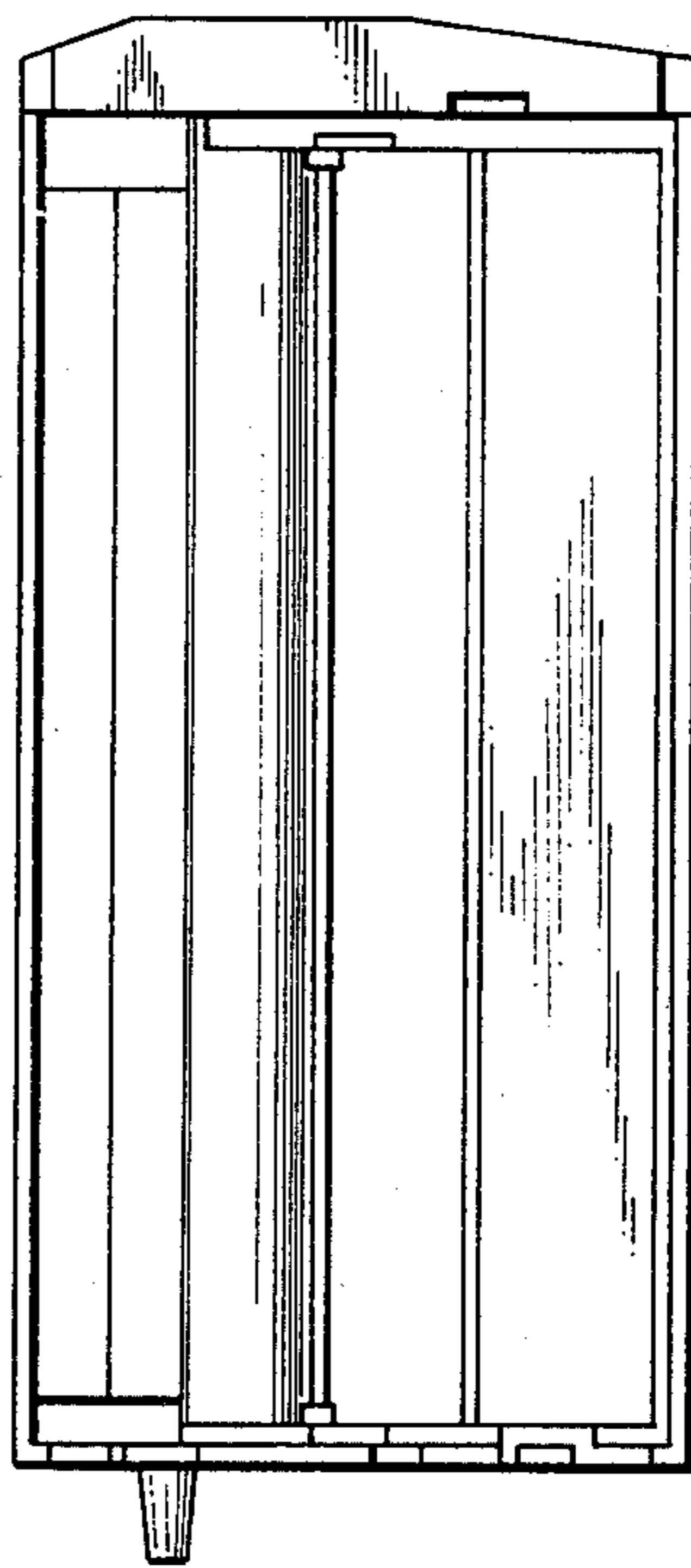


FIG. 5

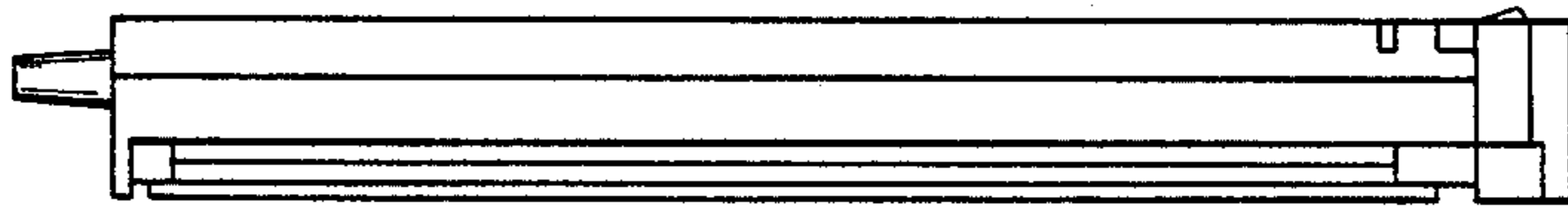


FIG. 6

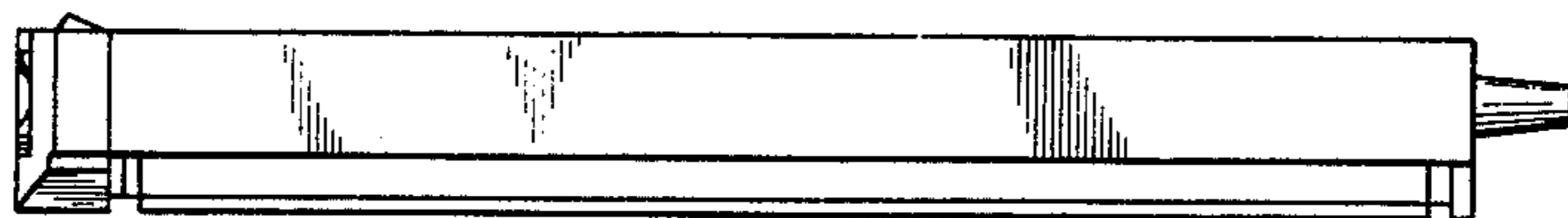


FIG. 7

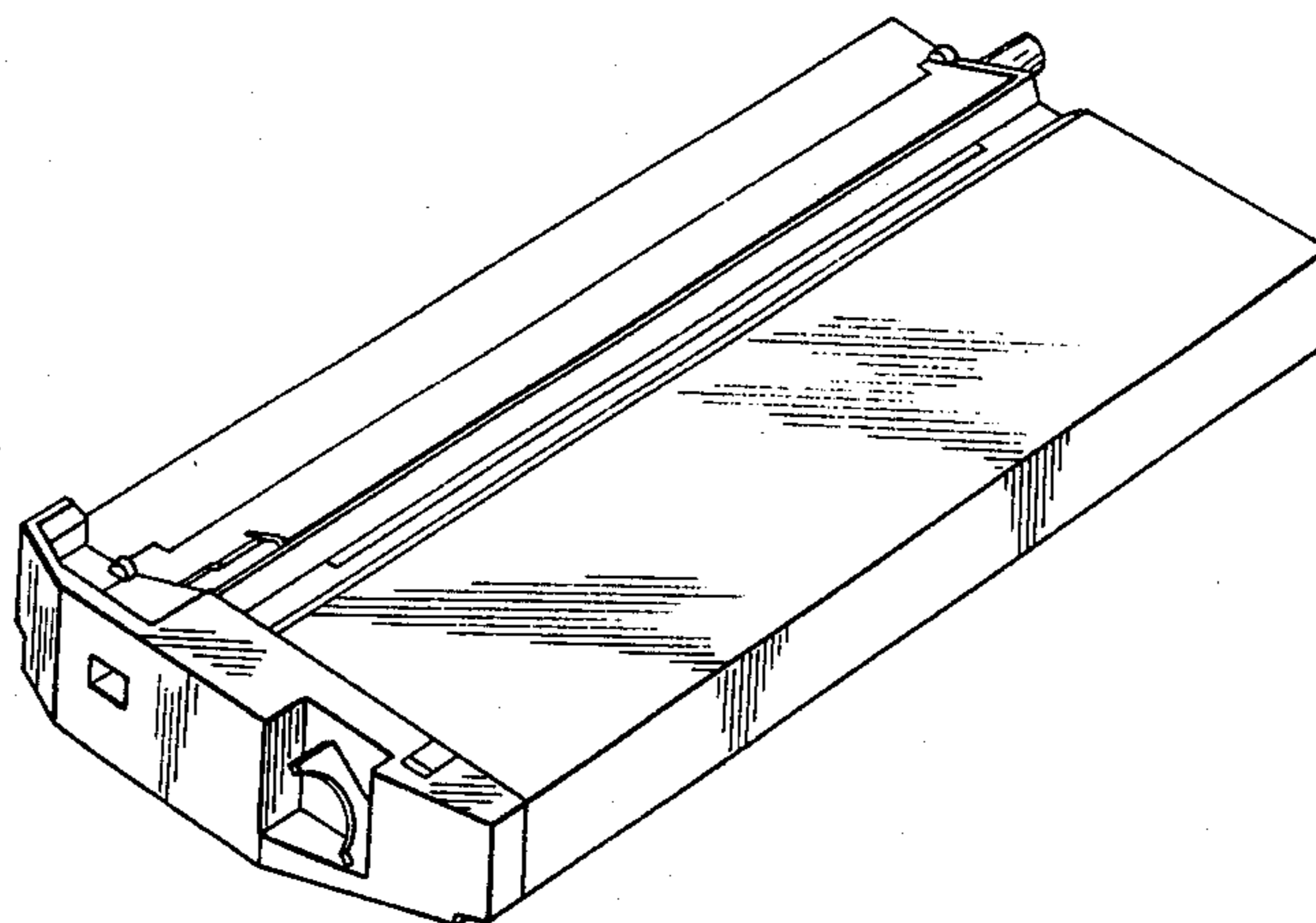


FIG. 8

