

[54] HANDLE FOR AN ELECTRIC OUTBOARD ENGINE

[75] Inventors: James T. Erwin, III, West Columbia; Clifford G. Mecklenburg, Lexington, both of S.C.; Elbert D. Turner, III, Columbia, all of S.C.

[73] Assignee: Shakespeare Company, Columbia, S.C.

[**] Term: 14 Years

[21] Appl. No.: 833,746

[22] Filed: Feb. 18, 1986

[52] U.S. Cl. D15/4

[58] Field of Search D15/4; 440/32, 49, 53, 440/57, 900; 74/469, 480 B, 481, 491, 515 E, 515, 523

[56] References Cited

U.S. PATENT DOCUMENTS

D. 264,084	4/1982	Morgan	D15/4
4,119,186	10/1978	Choudhury et al.	74/480 B X
4,522,142	6/1985	Frye, Jr.	74/480 B X
4,553,496	11/1985	Foresman	74/480 B X

OTHER PUBLICATIONS

Shakespeare Company 1981, Fishing Tackle catalog, pp. 90 and 91.

Pro Bass Shops, "Spring Fever Sale", catalog, Spring 1984, pp. 112 and 114.

Primary Examiner—Wallace R. Burke

Assistant Examiner—Brian N. Vinson

Attorney, Agent, or Firm—Renner, Kenner, Greive, Bobak, Taylor & Weber

[57] CLAIM

The ornamental design for a handle for an electric outboard engine, as shown and described.

DESCRIPTION

FIG 1 is a perspective view of a handle for an electric outboard engine showing our new design;

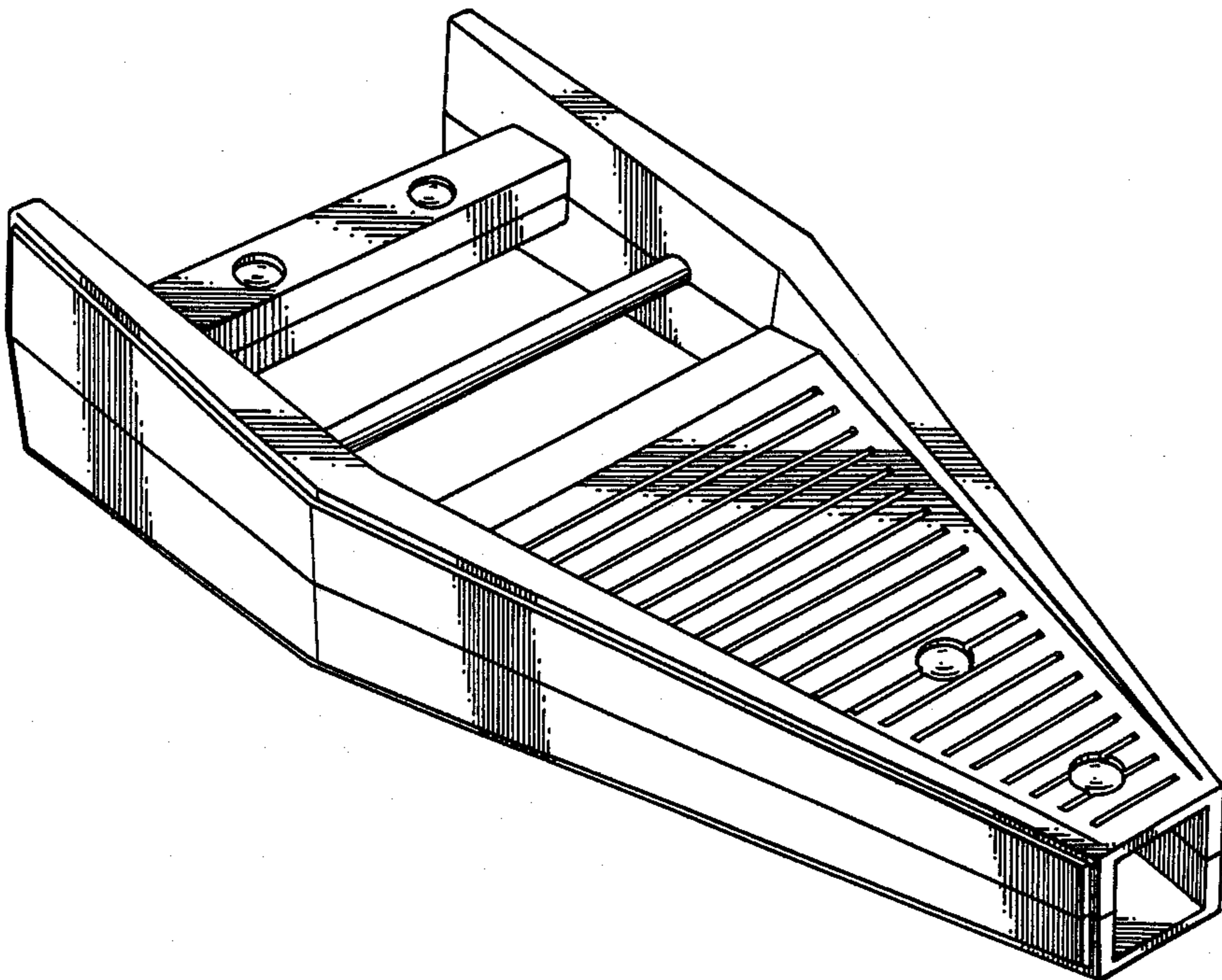
FIG. 2 is a top plan view thereof the bottom being identical in appearance;

FIG. 3 is a right side elevational view thereof, the left side being identical in appearance;

FIG. 4 is a vertical sectional view thereof, taken along line 4—4 of FIG. 2;

FIG. 5 is a rear elevational view thereof; and

FIG. 6 is a front elevational view thereof.



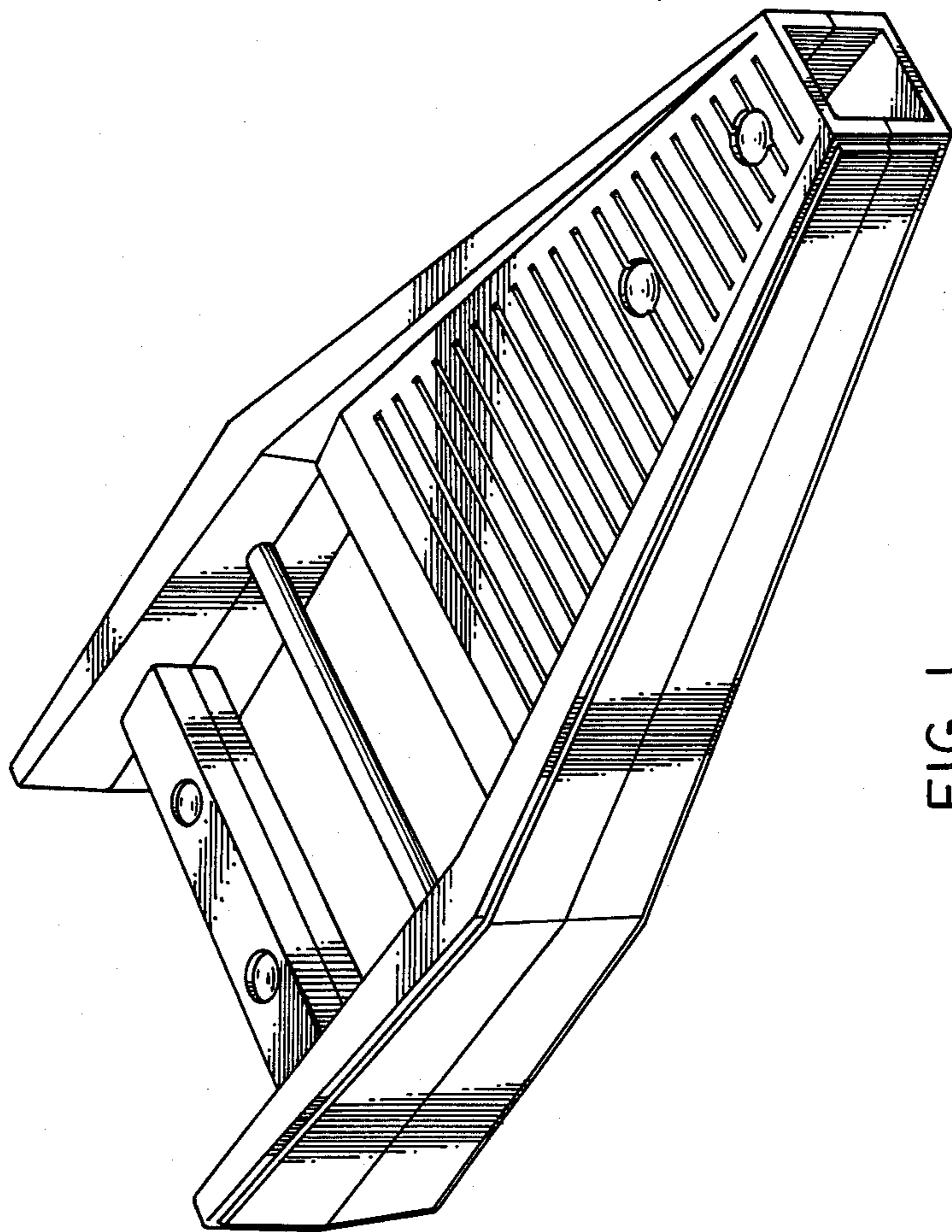


FIG. 1

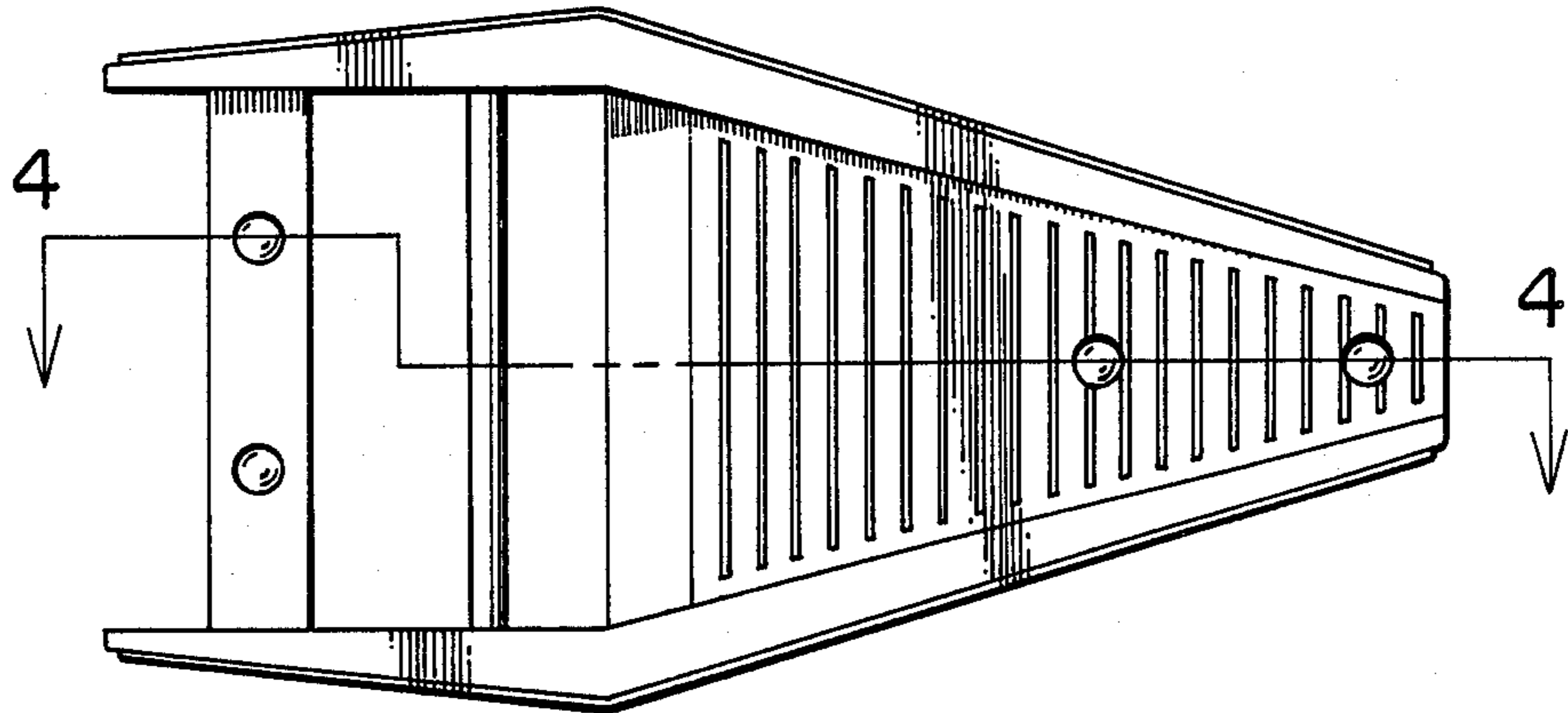


FIG. 2

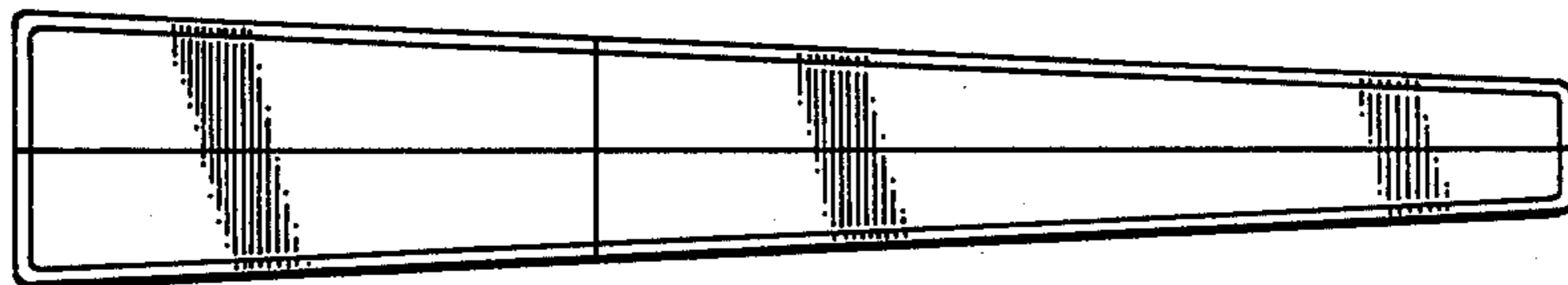


FIG. 3

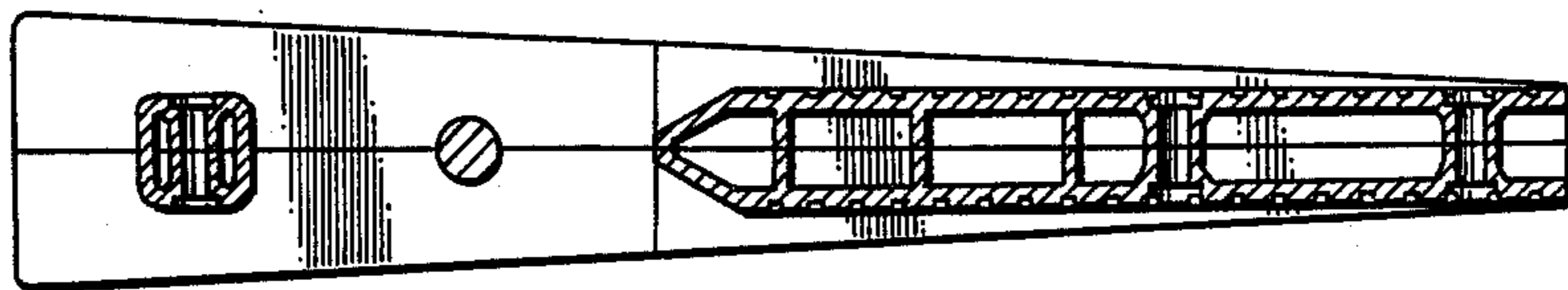


FIG. 4

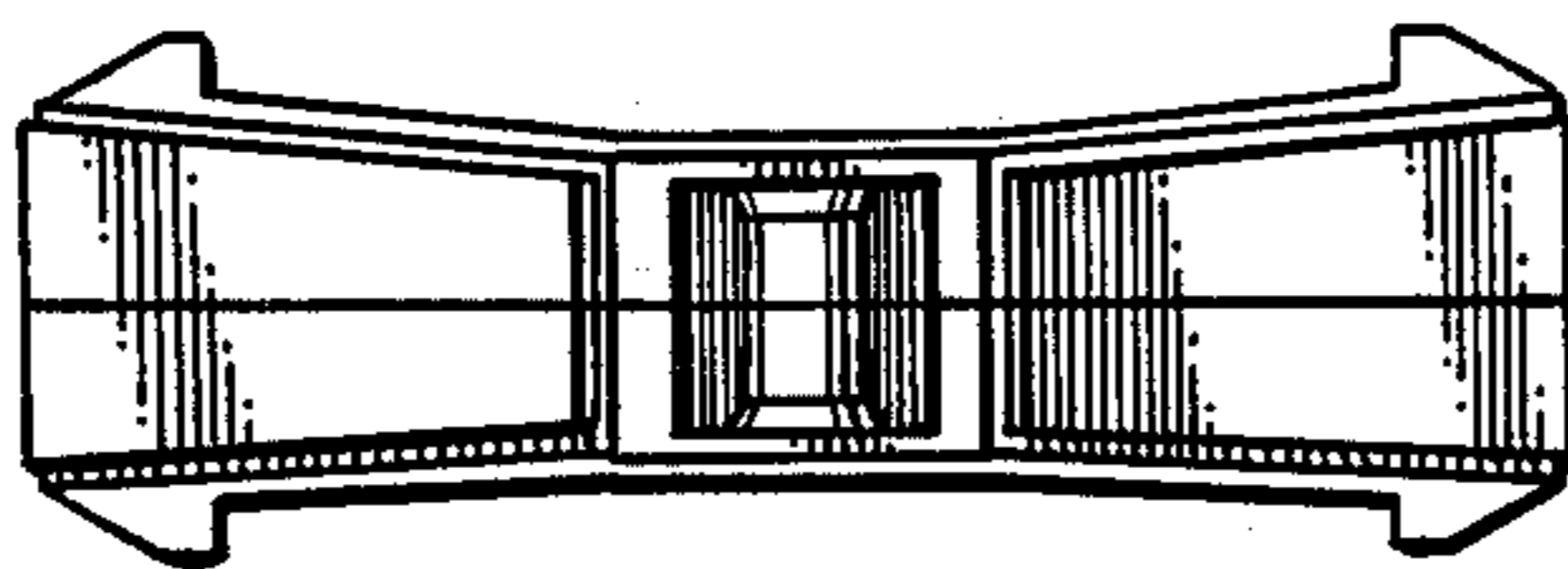


FIG. 5

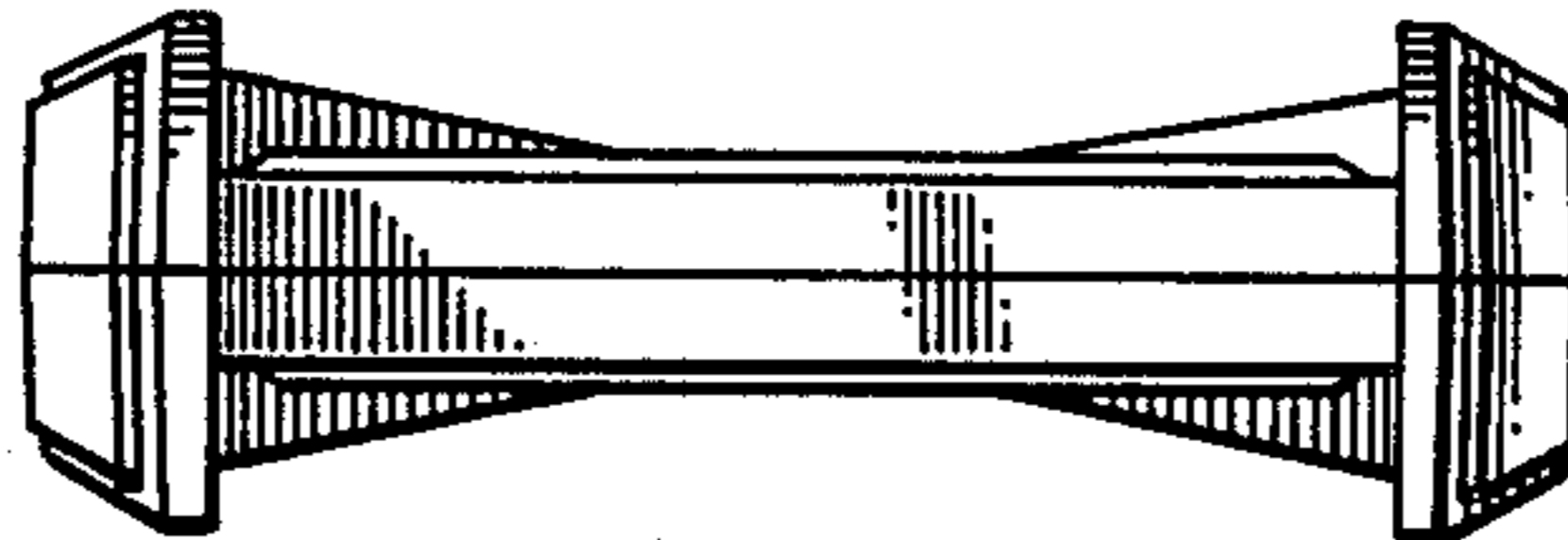


FIG. 6.