

[54] DISK CARTRIDGE

[75] Inventors: Yoshitake Kato; Hiroshi Maruyama, both of Ibaragi, Japan

[73] Assignee: Hitachi Maxell, Ltd., Osaka, Japan

[\*\*] Term: 14 Years

[21] Appl. No.: 834,843

[22] Filed: Feb. 21, 1986

[30] Foreign Application Priority Data

Aug. 28, 1985 [JP] Japan ..... 60-36531

[52] U.S. Cl. .... D14/114

[58] Field of Search ..... D14/107, 109, 114, 11; 360/97, 98, 99, 60, 133; 206/312, 313, 444; 369/291

[56] References Cited

U.S. PATENT DOCUMENTS

D. 277,858 3/1985 Takahashi et al. .... D14/114

D. 277,859 3/1985 Saito et al. .... D14/114

D. 292,292 10/1987 Saito et al. .... D14/114

Primary Examiner—Susan J. Lucas  
Attorney, Agent, or Firm—Antonelli, Terry & Wands

[57] CLAIM

The ornamental design for a disk cartridge, as shown.

DESCRIPTION

FIG. 1 is a front elevational view of a disk cartridge showing our new design;

FIG. 2 is a rear elevational view;

FIG. 3 is a top plan view;

FIG. 4 is a bottom plan view;

FIG. 5 is a right side elevational view;

FIG. 6 is a left side elevational view;

FIG. 7 is a front, left side and bottom perspective view;

FIG. 8 is front elevational view thereof with the shutter in the open position.

FIG. 9 is a rear elevational view thereof with the shutter in the open position; and

FIG. 10 is a top plane view thereof with the shutter in the open position.

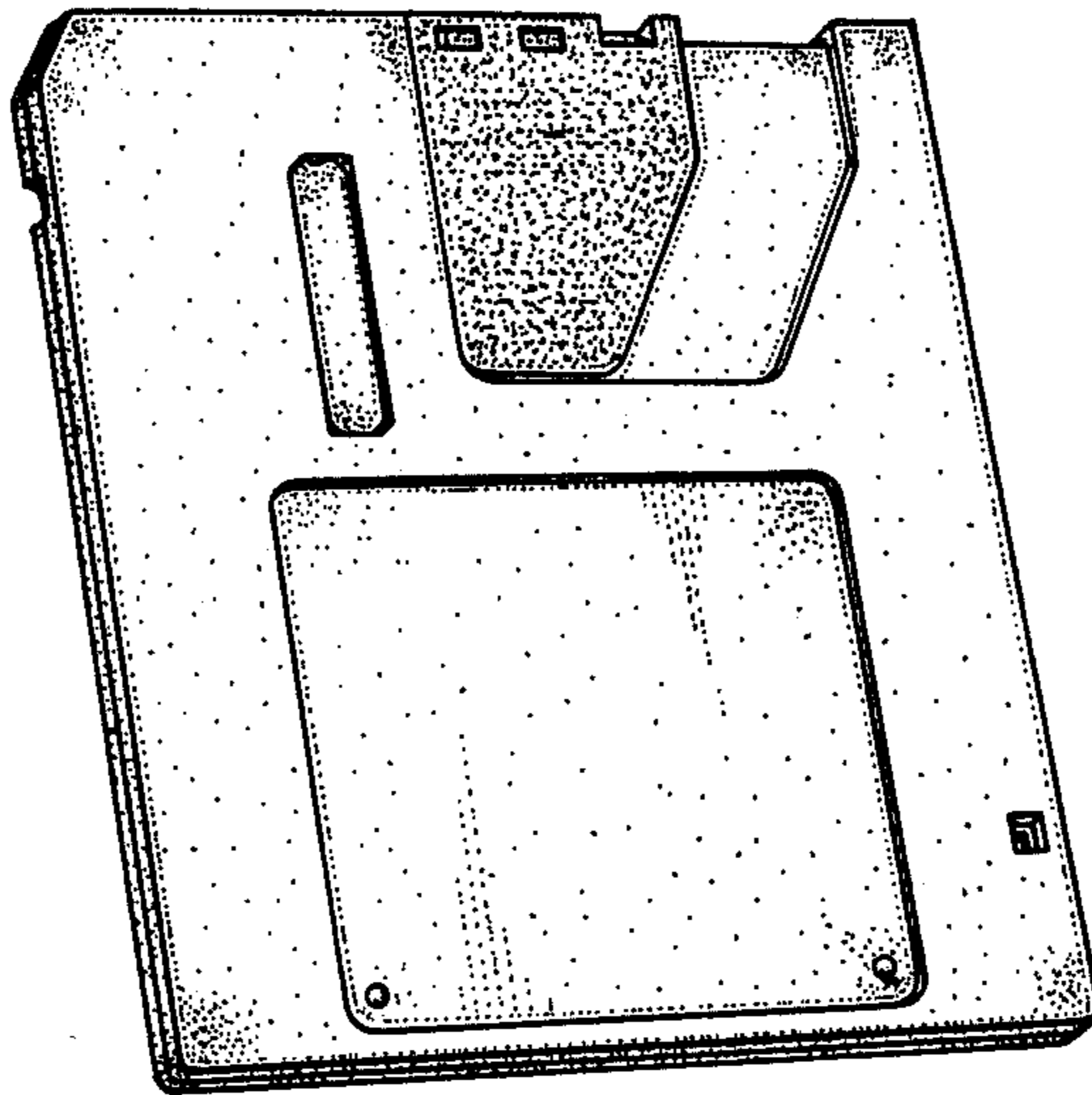


FIG. 1

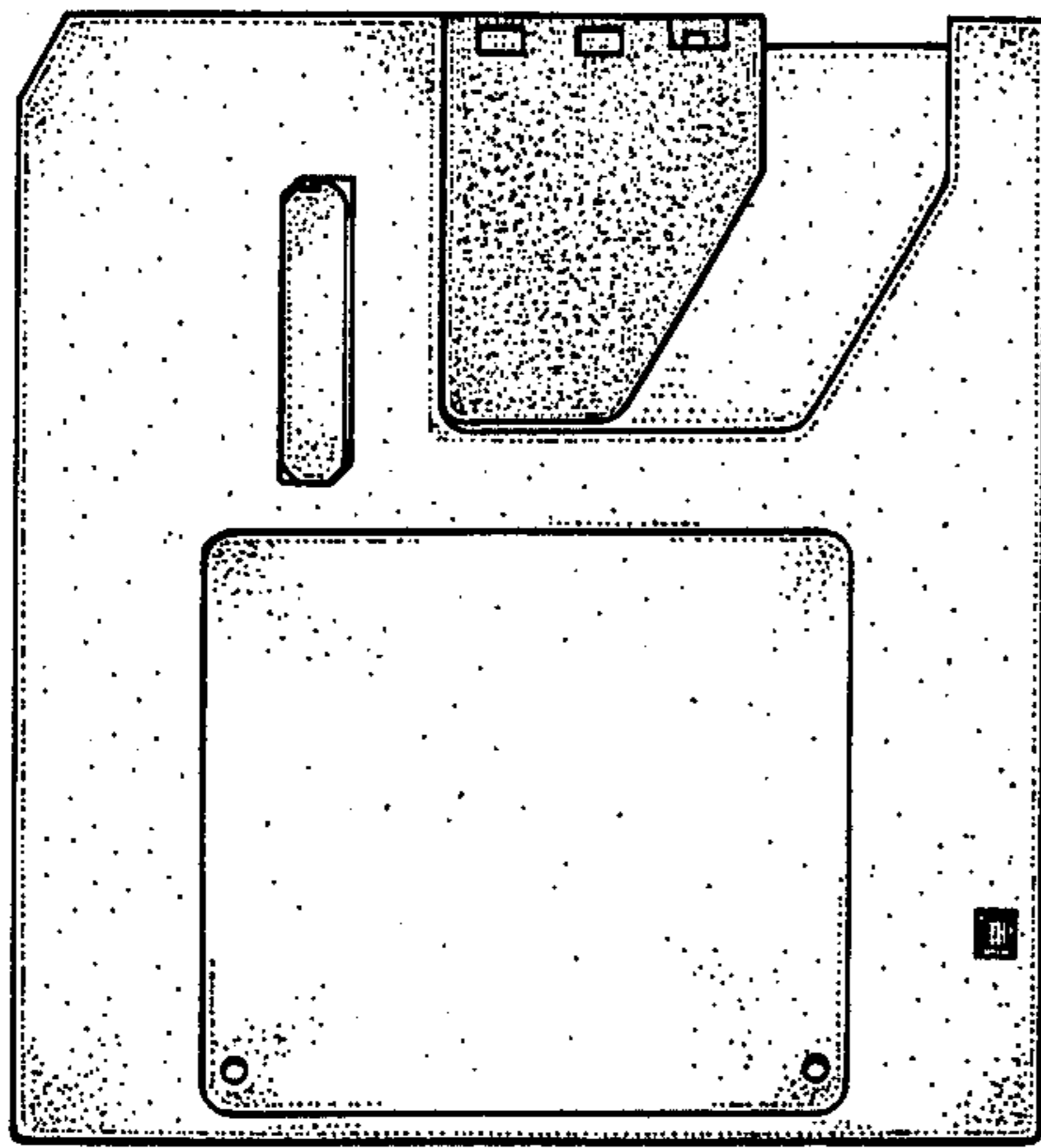


FIG. 2

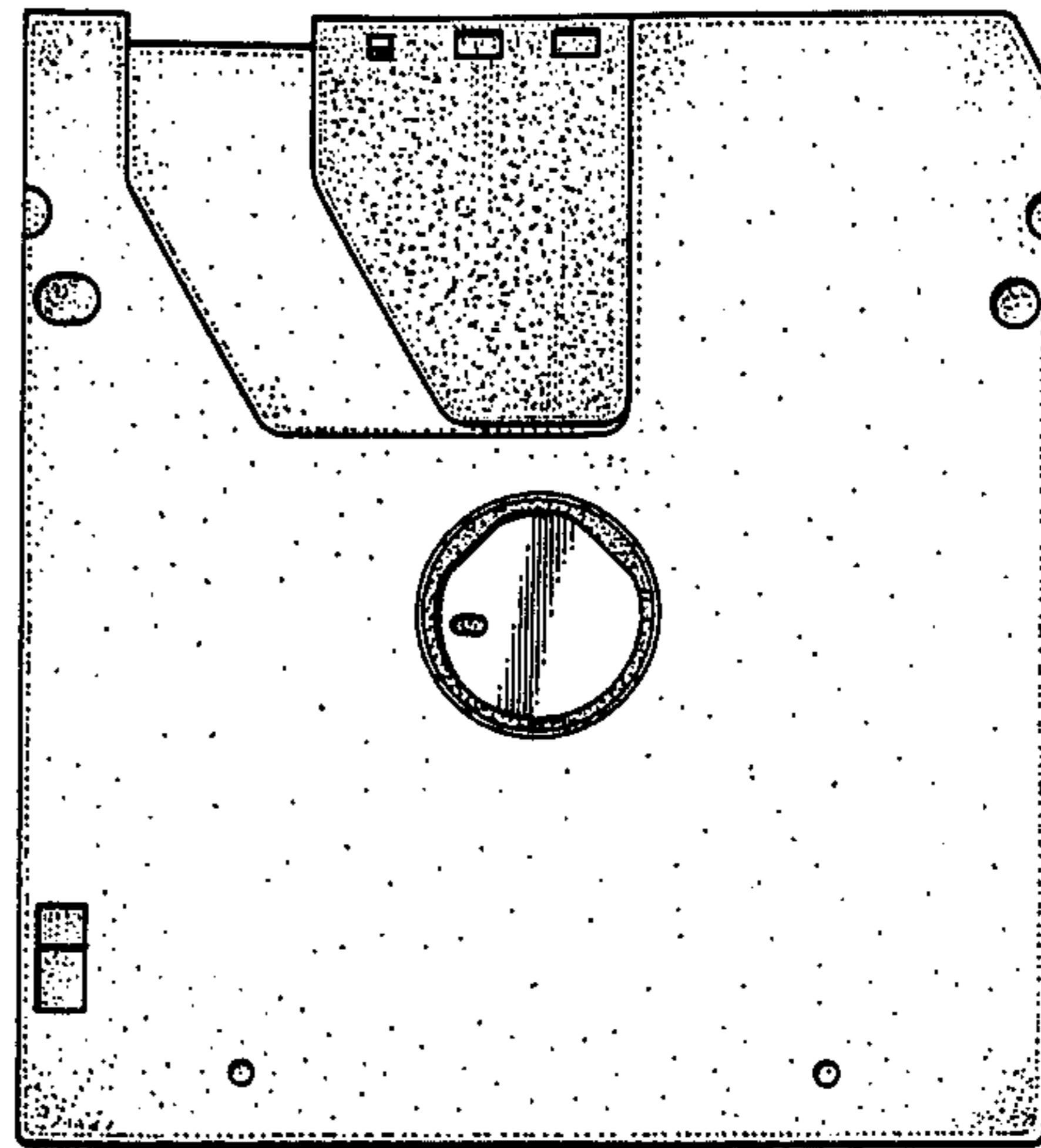


FIG. 3



FIG. 4

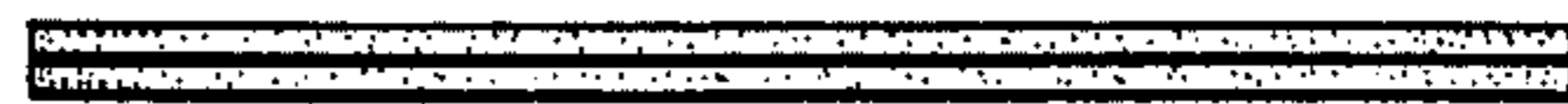


FIG. 5



FIG. 6



FIG. 7

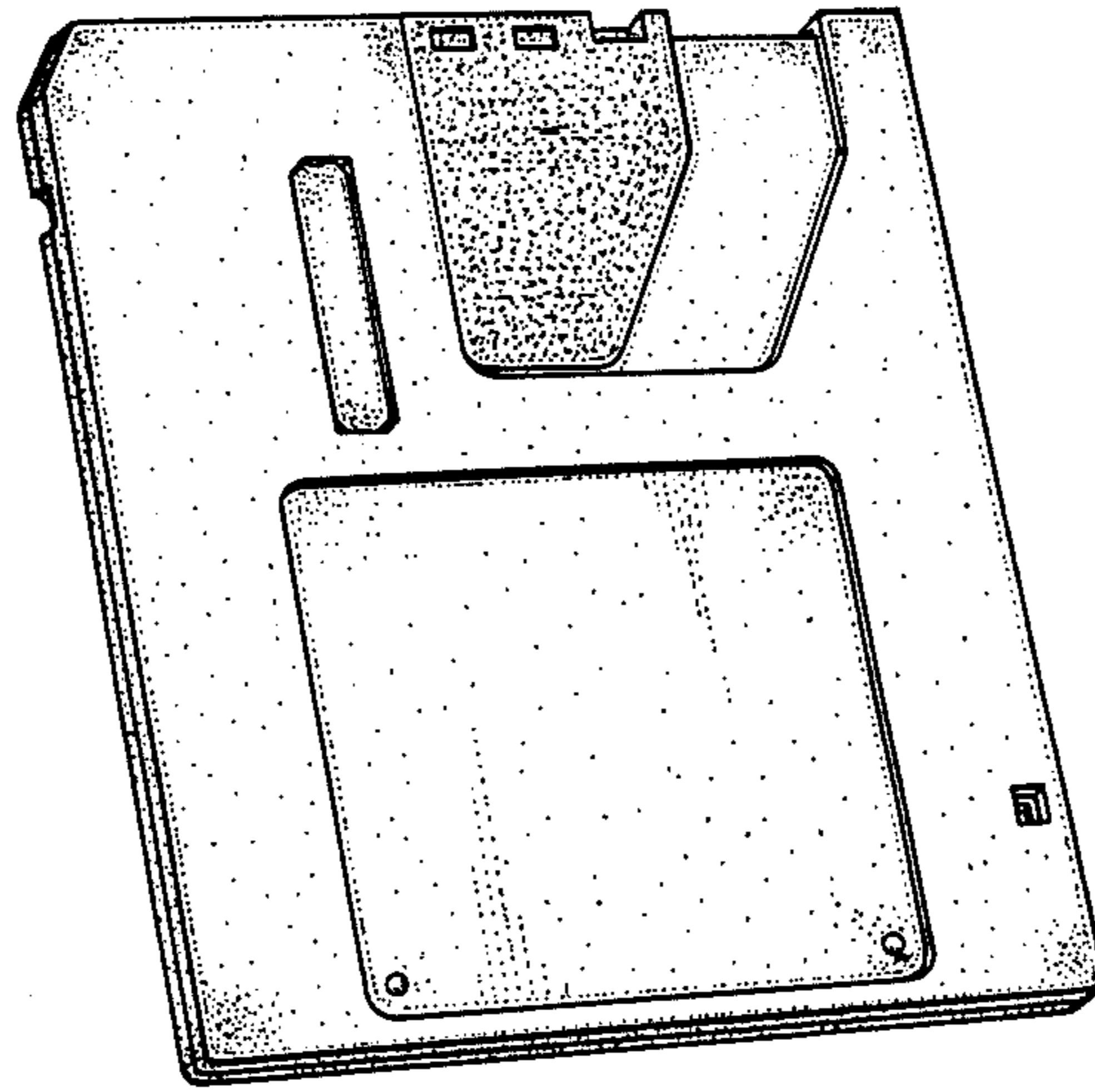


FIG. 8

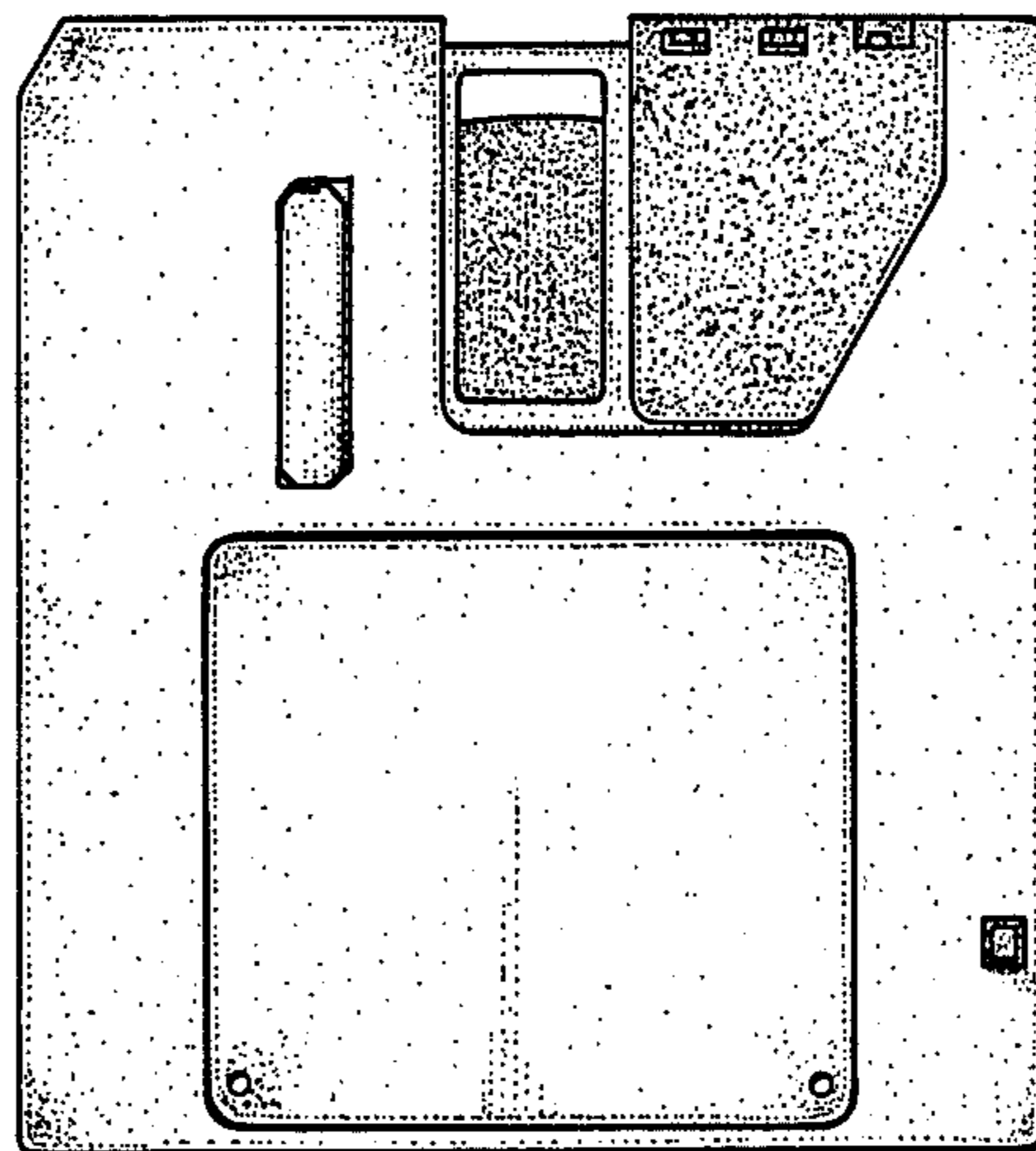


FIG. 9

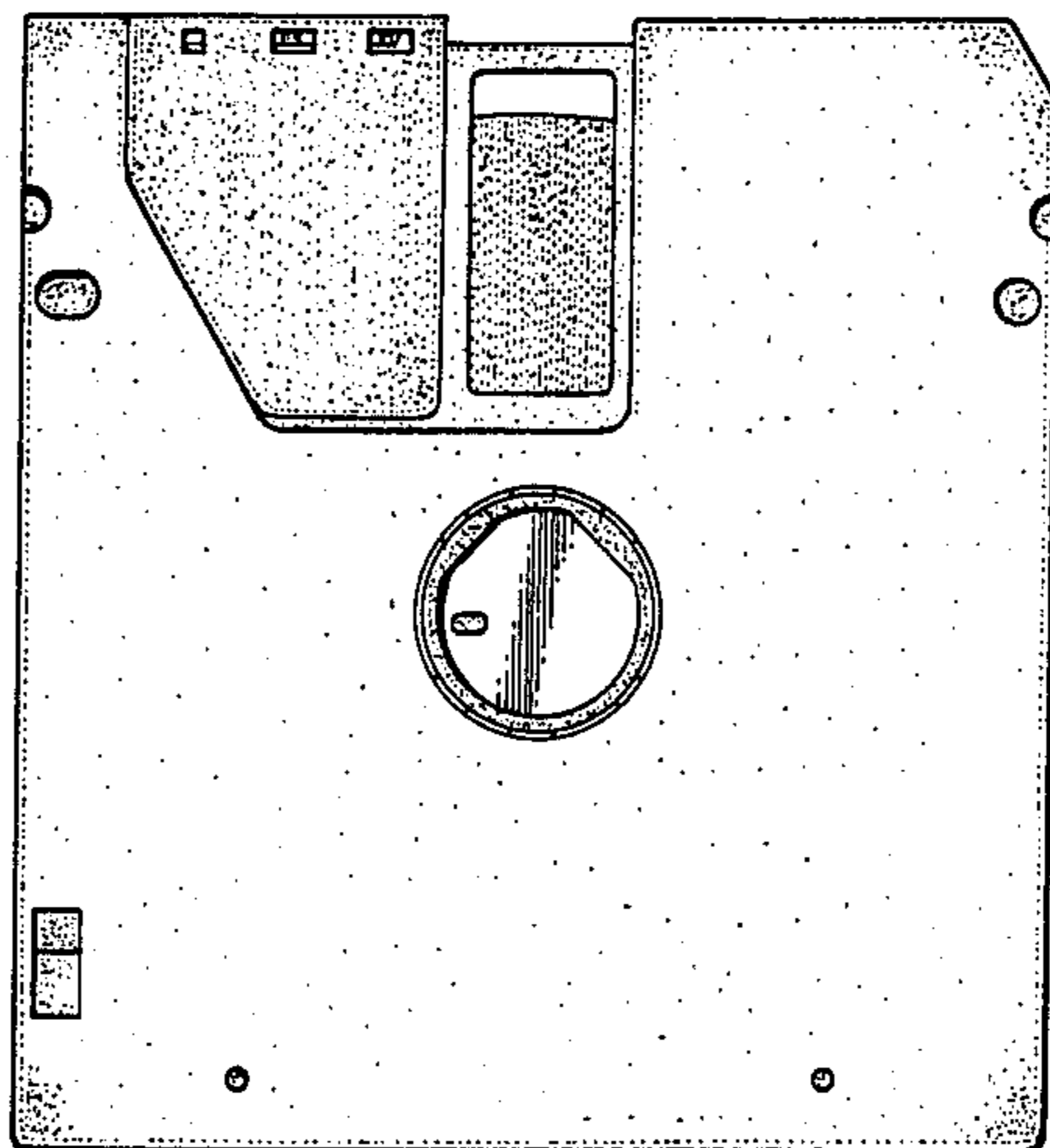


FIG. 10

