

[54] IMAGE MAGNIFIER FOR COMPUTER DISPLAYS

[76] Inventor: Gary A. Kildall, P.O. Box 208, Pebble Beach, Calif. 93953-0208

[\*\*] Term: 14 Years

[21] Appl. No.: 712,123

[22] Filed: Mar. 15, 1985

[52] U.S. Cl. .... D14/114; D16/135

[58] Field of Search ..... D14/100, 106, 107, 114, D14/113, 77, 80-84; 358/231, 230, 250, 252, 255; D16/135

[56] References Cited

U.S. PATENT DOCUMENTS

2,449,886 9/1948 Dougherty ..... 350/244

FOREIGN PATENT DOCUMENTS

1512657 2/1967 Fed. Rep. of Germany ..... 358/250

517518 12/1953 Italy ..... 358/250

OTHER PUBLICATIONS

FIG. 1 is a top, front perspective view of an image magnifier for computer displays showing my new design;

FIG. 2 is a top plan view thereof;

FIG. 3 is a side elevational view thereof, the opposite side being a mirror image;

FIG. 4 is a bottom plan view thereof.

Primary Examiner—Susan J. Lucas

Attorney, Agent, or Firm—Schroeder, Davis & Orless Inc.

[57] CLAIM

The ornamental design for an image magnifier for computer displays, as shown and described.

DESCRIPTION

FIG. 1 is a front, top and right side perspective view of a printer for electronic computer showing our new design;

FIG. 2 is a front elevational view thereof;

FIG. 3 is a top plan view thereof;

FIG. 4 is a left side elevational view thereof;

FIG. 5 is a right side elevational view thereof;

FIG. 6 is a rear elevational view thereof;

FIG. 7 is a bottom plan view thereof;

FIG. 8 is a front, top, and right side perspective view of a second embodiment of our new design;

FIG. 9 is a front elevational view thereof;

FIG. 10 is a top plan view thereof;

FIG. 11 is a left side elevational view thereof;

FIG. 12 is a right side elevational view thereof;

FIG. 13 is a rear elevational view thereof;

FIG. 14 is a bottom plan view thereof;

FIG. 15 is a front, top, and right side perspective view of a third embodiment of our new design;

FIG. 16 is a front elevational view thereof;

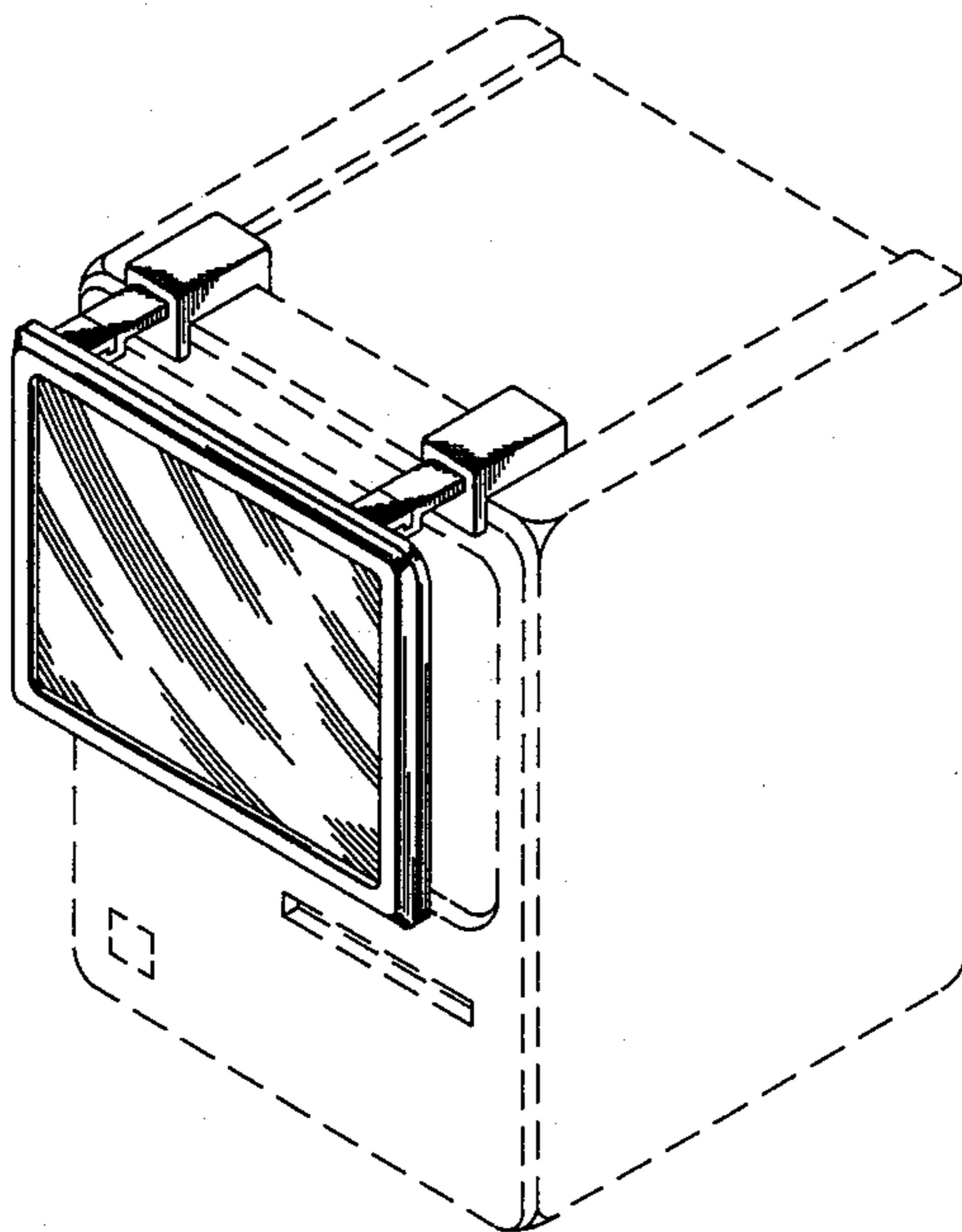
FIG. 17 is a top plan view thereof;

FIG. 18 is a left side elevational view thereof;

FIG. 19 is a right side elevational view thereof;

FIG. 20 is a rear elevational view thereof; and

FIG. 21 is a bottom plan view thereof.



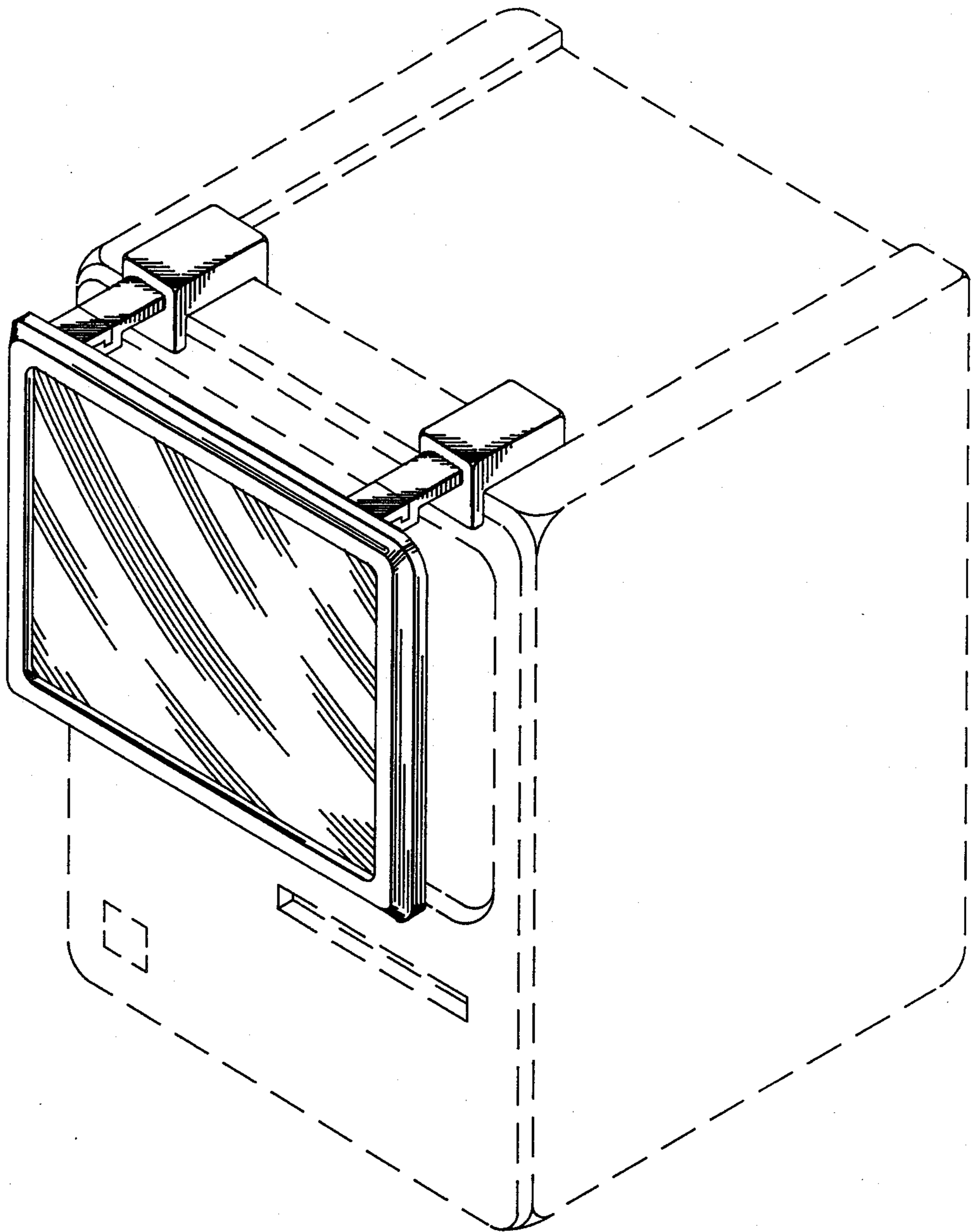


FIG. 1

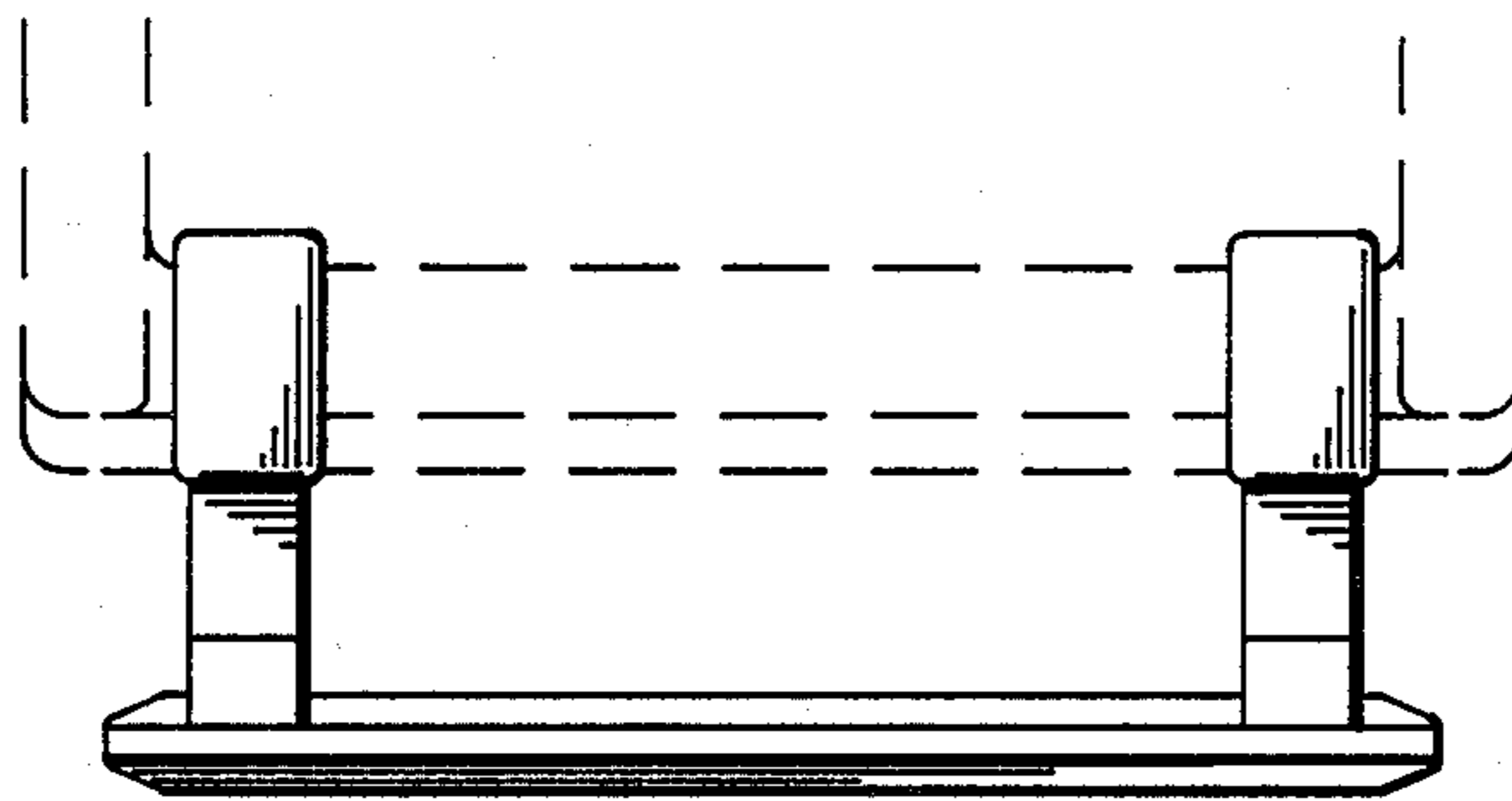


FIG. 2

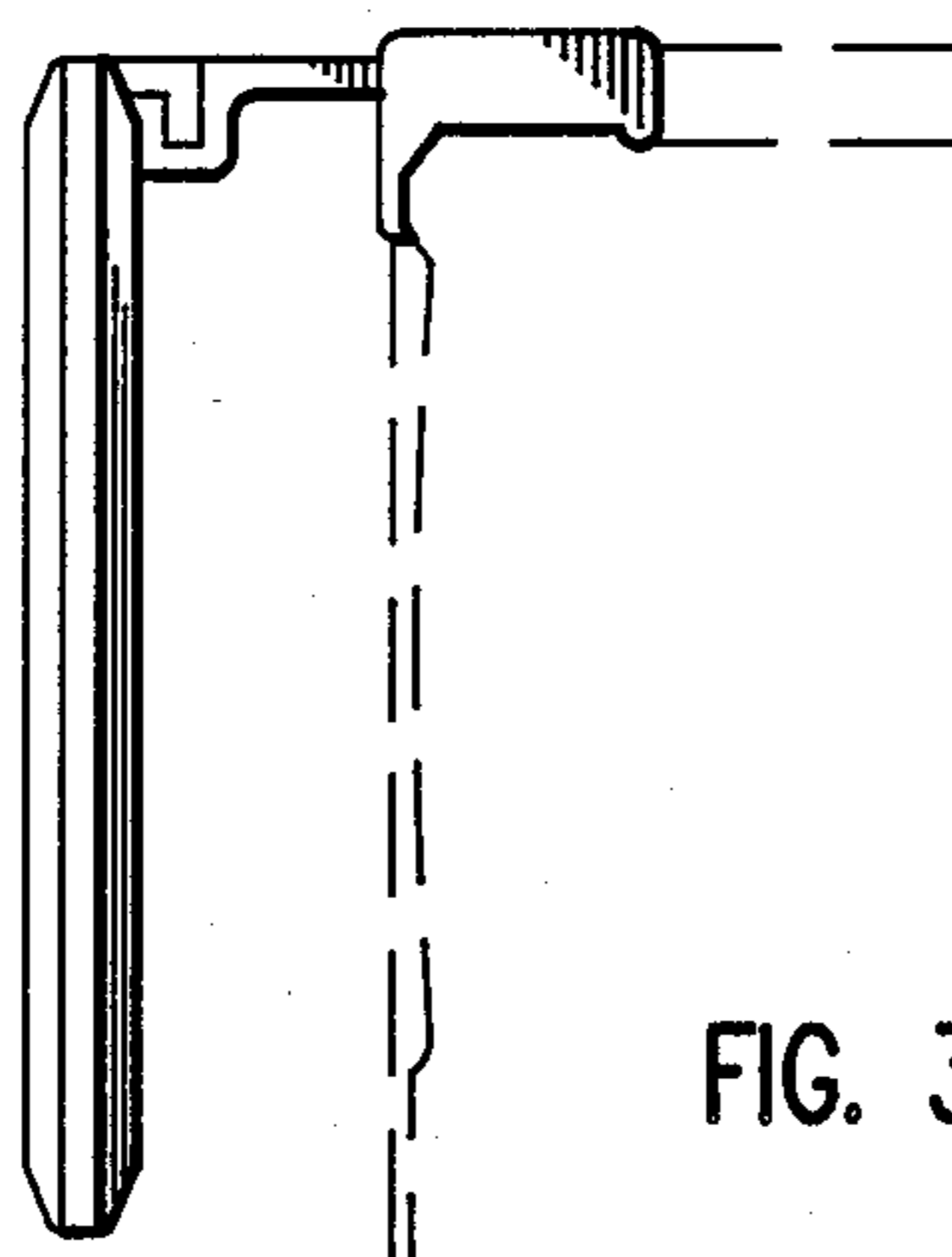


FIG. 3

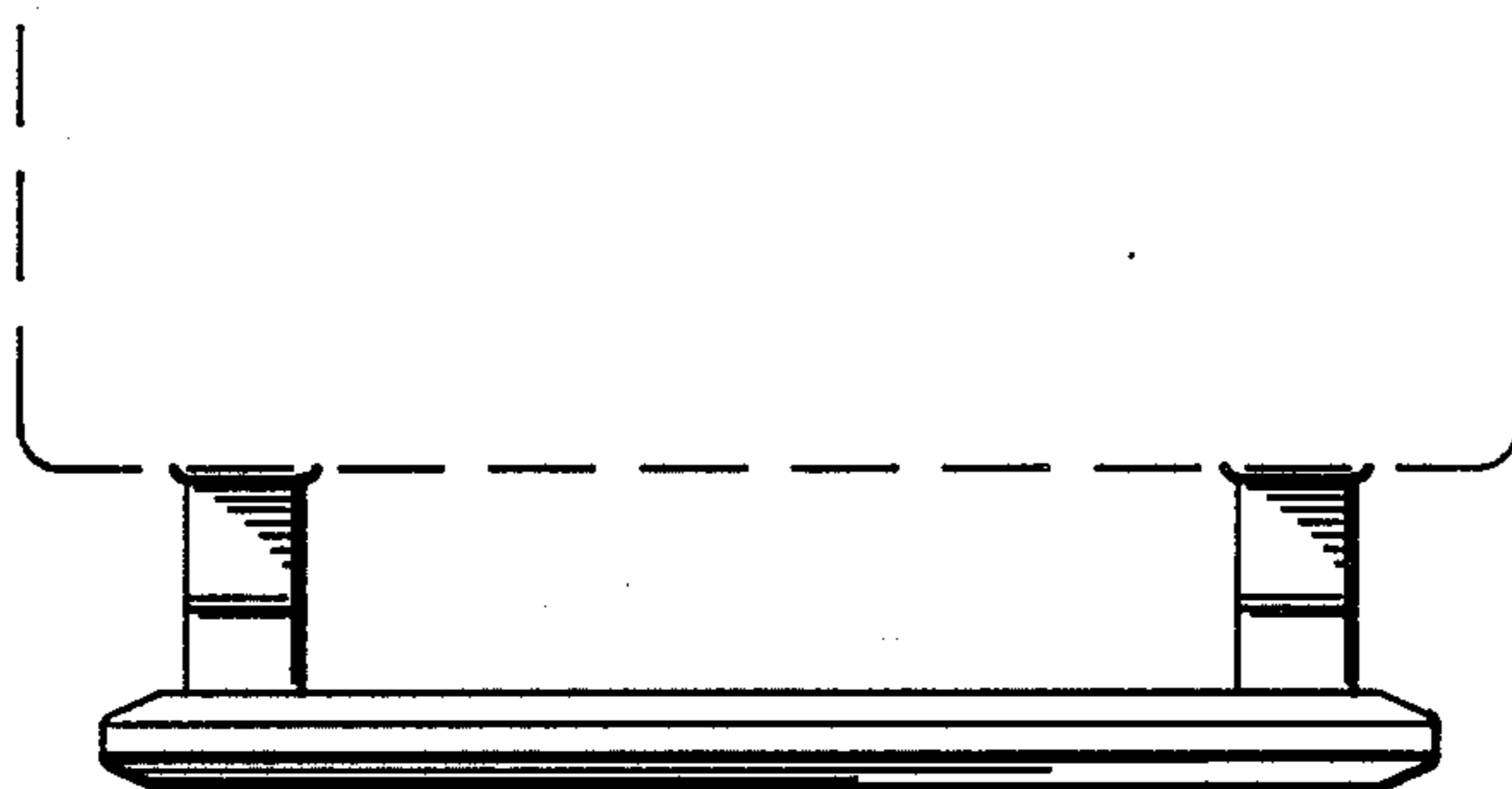


FIG. 4

UNITED STATES PATENT AND TRADEMARK OFFICE  
CERTIFICATE OF CORRECTION

PATENT NO. : Des. 298,250

Page 1 of 2

DATED : October 25, 1988

INVENTOR(S) : Gary A. Kildall

It is certified that error appears in the above-identified patent and that said Letters Patent is hereby corrected as shown below:

In Column 1, after the section "FOREIGN PATENT DOCUMENTS", delete:

"OTHER PUBLICATIONS"

FIG. 1 is a top, front perspective view of an image magnifier for computer displays showing my new design;

FIG. 2 is a top plan view thereof;

FIG. 3 is a side elevational view thereof, the opposite side being a mirror image;

FIG. 4 is a bottom plan view thereof."

In Column 2 after the subtitled "DESCRIPTION", delete:

FIG. 1 is a front, top and right side perspective view of a printer for electronic computer showing our new design;

FIG. 2 is a front elevational view thereof;

FIG. 3 is a top plan view thereof;

FIG. 4 is a left side elevational view thereof;

FIG. 5 is a right side elevational view thereof;

FIG. 6 is a rear elevational view thereof;

FIG. 7 is a bottom plan view thereof;

FIG. 8 is a front, top and right side perspective view of a second embodiment of our new design;

FIG. 9 is a front elevational view thereof;

FIG. 10 is a top plan view thereof;

FIG. 11 is a left side elevational view thereof;

FIG. 12 is a right side elevational view thereof;

FIG. 13 is a rear elevational view thereof;

FIG. 14 is a bottom plan view thereof;

FIG. 15 is a front, top and right side perspective view of a third embodiment of our new design;

FIG. 16 is a front elevational view thereof;

FIG. 17 is a top plan view thereof;

FIG. 18 is a left side elevational view thereof;

FIG. 19 is a right side elevational view thereof;

UNITED STATES PATENT AND TRADEMARK OFFICE  
**CERTIFICATE OF CORRECTION**

PATENT NO. : Des. 298,250

Page 2 of 2

DATED : October 25, 1988

INVENTOR(S) : Gary A. Kildall

It is certified that error appears in the above-identified patent and that said Letters Patent is hereby corrected as shown below:

FIG. 20 is a rear elevational view thereof; and  
FIG. 21 is a bottom plan view thereof."

And insert--

FIG. 1 is a top, front perspective view of an image magnifier for computer displays showing my new design;

FIG. 2 is a top plan view thereof;

FIG. 3 is a side elevational view thereof, the opposite side being a mirror image;

FIG. 4 is a bottom plan view thereof.

**Signed and Sealed this  
Seventh Day of November, 1989**

*Attest:*

JEFFREY M. SAMUELS

*Attesting Officer*

*Acting Commissioner of Patents and Trademarks*