

[54] AUDIO COMMUNICATIONS RECORDING AND REPLAYING DEVICE

[75] Inventors: Sandor F. Weisz, Stamford, Conn.; Andrew J. Blance, Mamaroneck, N.Y.; Ian R. Jenkins, Westport, Conn.

[73] Assignee: Dictaphone Corporation, Rye, N.Y.

[**] Term: 14 Years

[21] Appl. No.: 911,034

[22] Filed: Sep. 24, 1986

[52] U.S. Cl. D14/2; D14/4; D14/6

[58] Field of Search D14/1, 2, 3, 5, 6, 99, D14/52, 53, 58; 379/88; 360/137; 346/134

[56] References Cited

U.S. PATENT DOCUMENTS

- D. 246,041 11/1977 Bellini D14/6
- D. 263,136 2/1982 Gore D14/1
- D. 278,429 4/1985 Doodson et al. D14/6 X

- D. 282,165 1/1986 Brown D14/53
- D. 291,435 8/1987 Kawano et al. D14/4 X
- 4,677,501 6/1987 Saltzman et al. 360/137 X

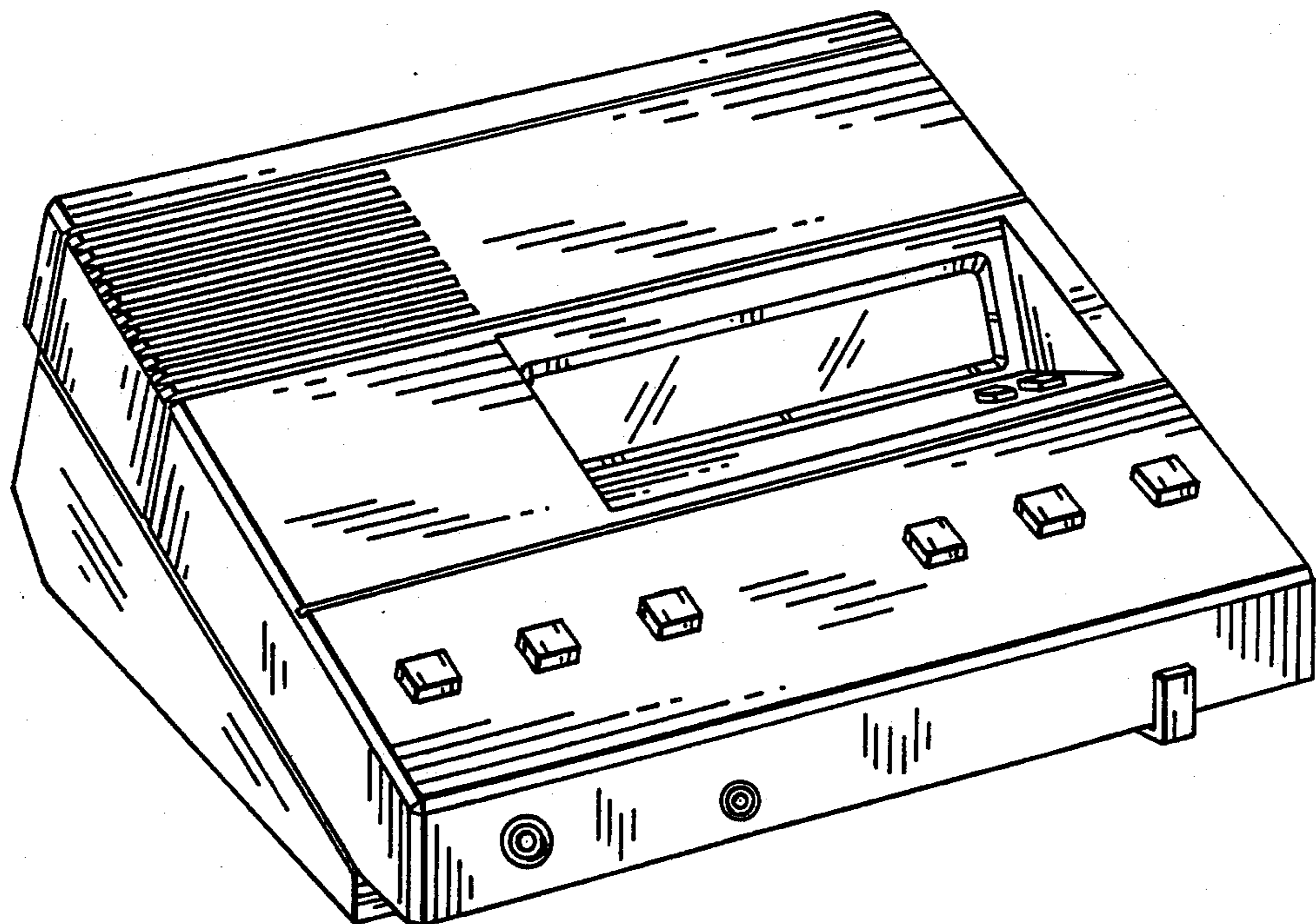
Primary Examiner—Bruce W. Dunkins
Assistant Examiner—Theodore M. Shooman
Attorney, Agent, or Firm—Robert H. Whisker; Melvin J. Scolnick; David E. Pitchenik

[57] CLAIM

The ornamental design for an audio communications recording and replaying device, as shown and described.

DESCRIPTION

FIG. 1 is a top, front and left side perspective view of an audio communications recording and replaying device showing our new design;
FIG. 2 is a top plan view thereof;
FIG. 3 is a front elevational view thereof;
FIG. 4 is a right side elevational view thereof;
FIG. 5 is a left side elevational view thereof;
FIG. 6 is a rear elevational view thereof; and
FIG. 7 is a bottom plan view thereof.



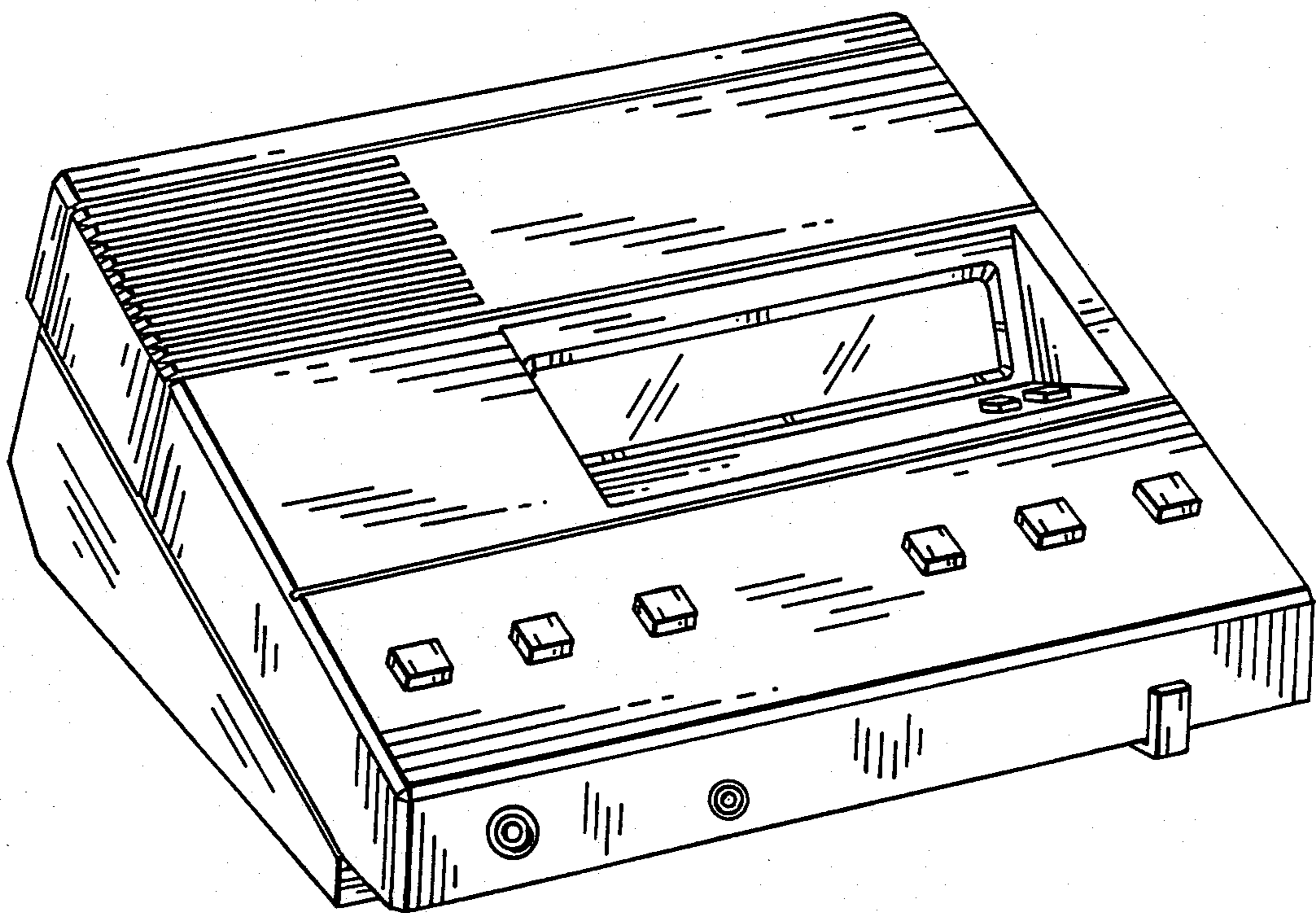


FIG. 1

FIG. 2

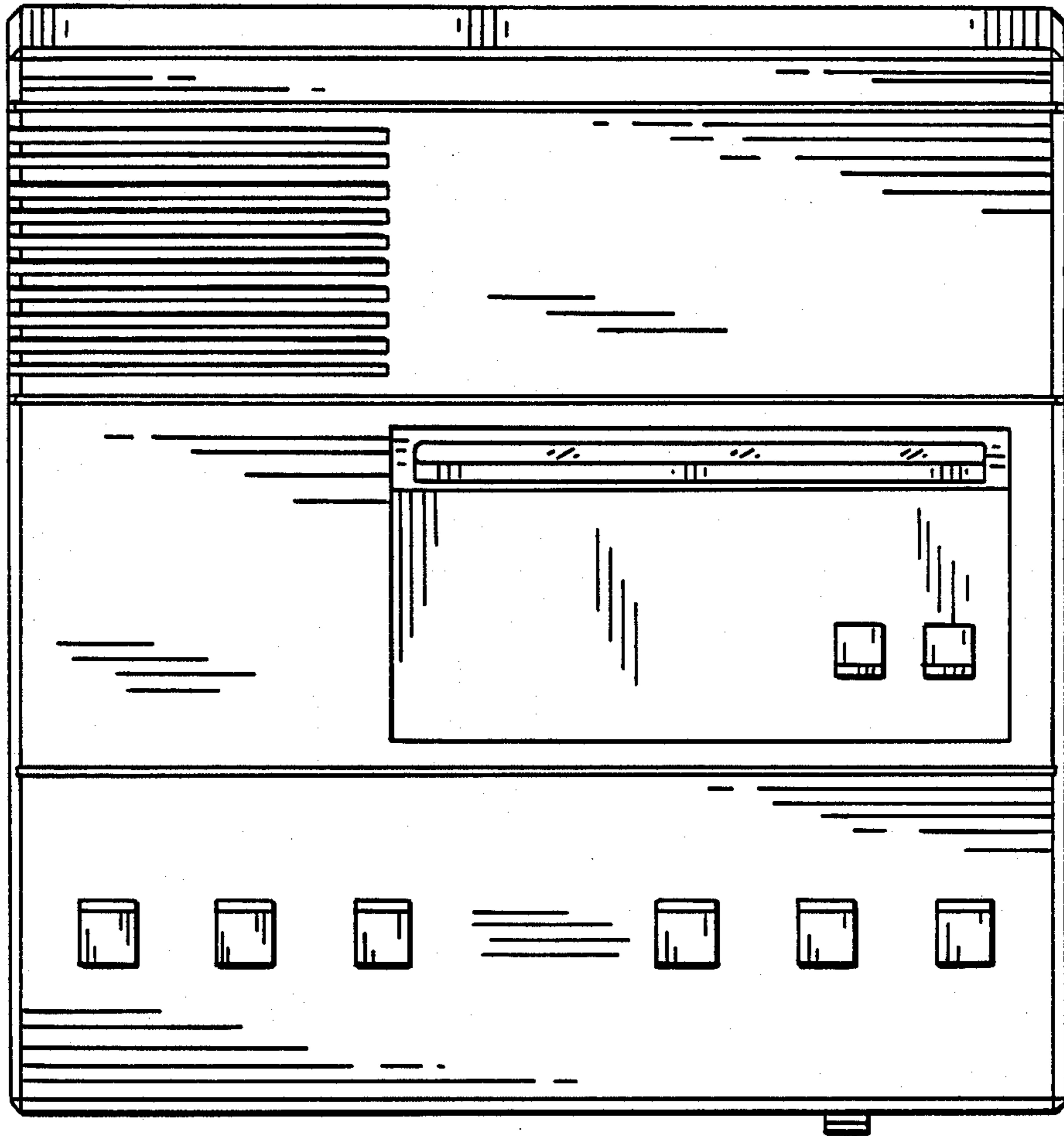


FIG. 3

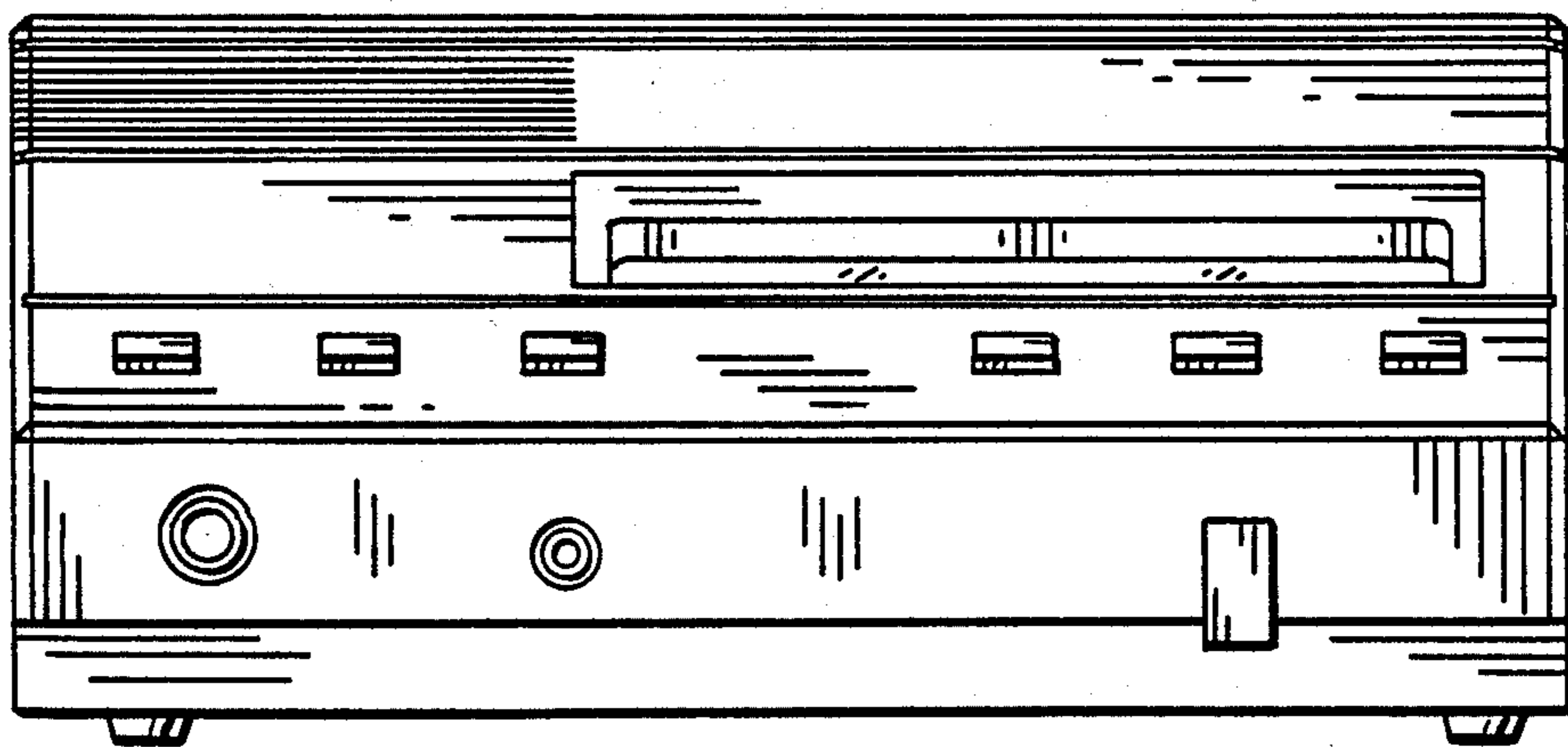


FIG. 4

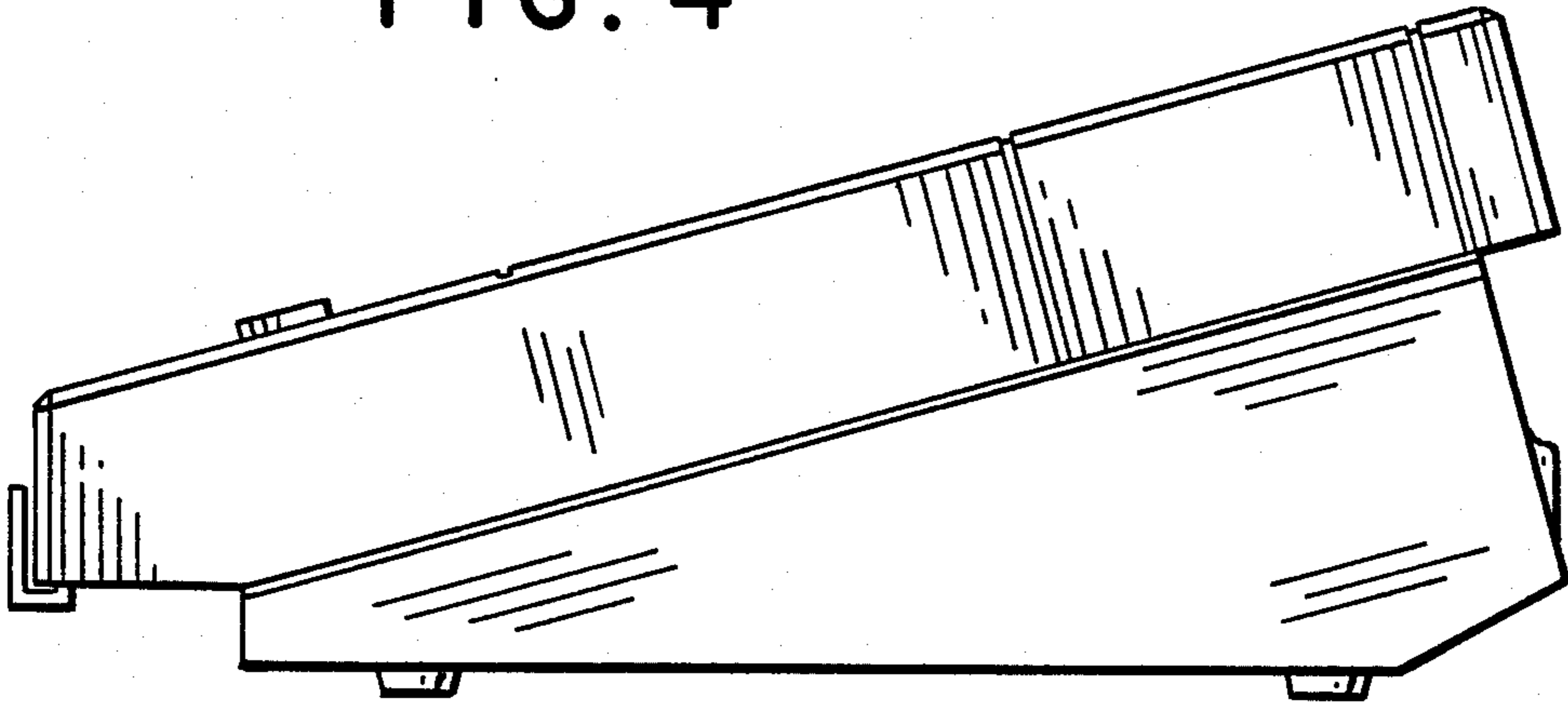


FIG. 5

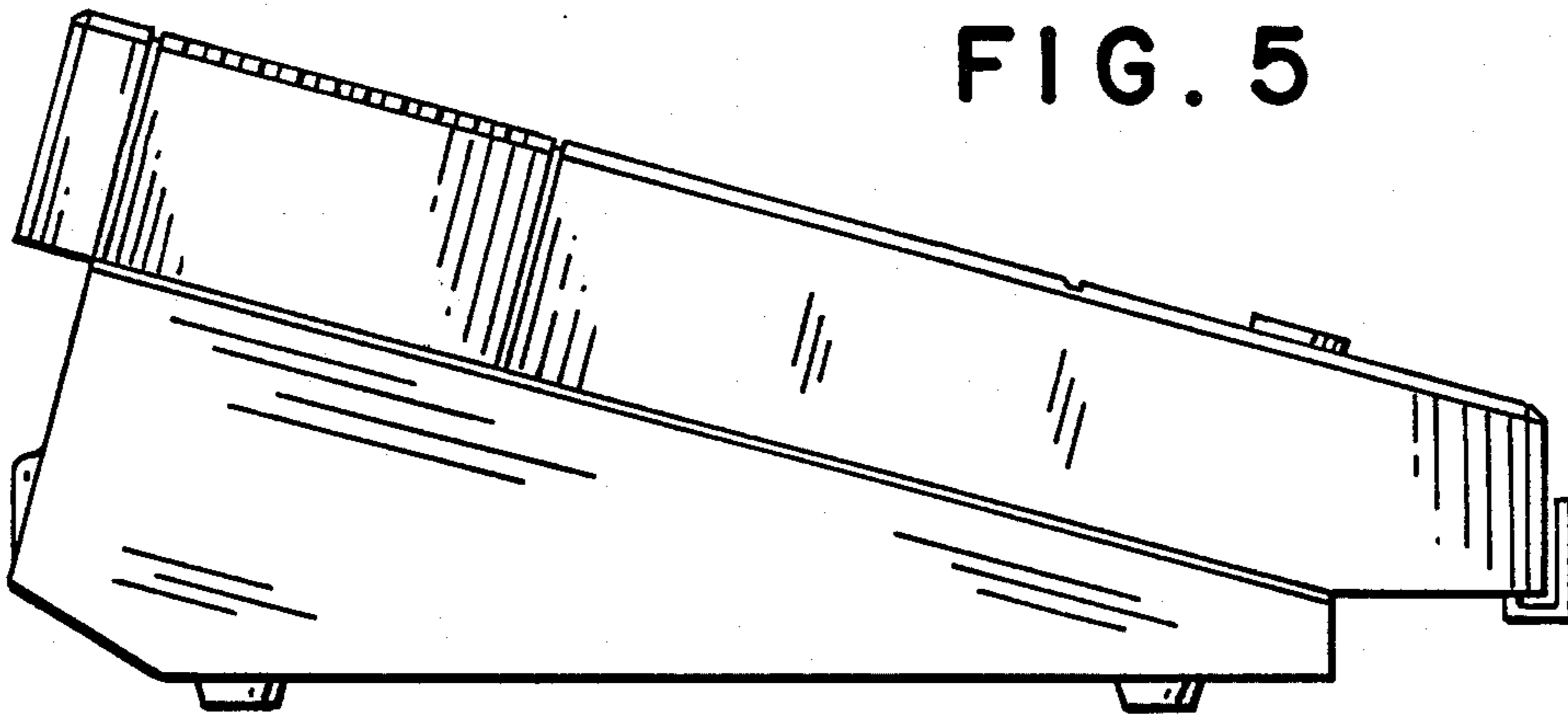


FIG. 6

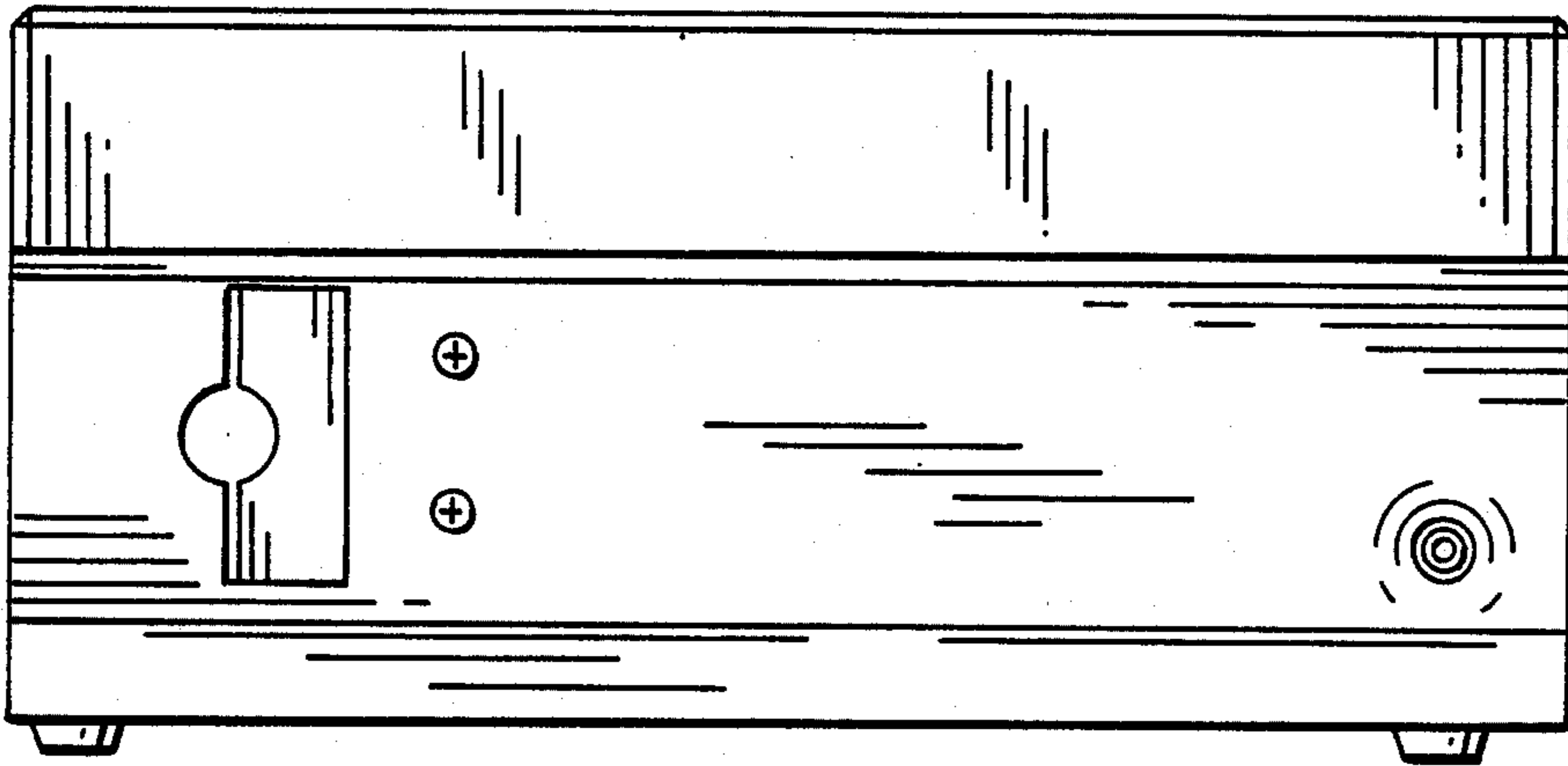


FIG. 7

