

[54] BATTERY CHARGER FOR A PORTABLE RADIO OR SIMILAR ARTICLE

[75] Inventor: Khoo B. Lay, Singapore, Singapore

[73] Assignee: Motorola, Inc., Schaumburg, Ill.

[\*\*] Term: 14 Years

[21] Appl. No.: 936,566

[22] Filed: Dec. 1, 1986

[52] U.S. Cl. .... D13/6; D14/76; D14/99

[58] Field of Search ..... D13/4-6, D13/11; 320/2-5; 363/144; D14/68, 76, 99

[56] References Cited

U.S. PATENT DOCUMENTS

D. 206,805	1/1967	Cunitz .....	D13/5
D. 271,391	11/1983	Scheid .....	D13/5
D. 274,903	7/1984	Eckmann et al. ....	D13/5
D. 276,149	10/1984	Eckmann et al. ....	D13/5
D. 276,149	10/1984	Eckmann et al. ....	D13/5
D. 277,662	2/1985	Huntington et al. ....	D13/5
D. 278,228	4/1985	Liautaud et al. ....	D13/5

OTHER PUBLICATIONS

“MX300-S’ Synthesized Series FM ‘Handie-Talkie’ Radio”, Motorola, Inc., Eq. Cat. R3, Sec. 4, Item 80B, published 4/84.

“MT500’Series Handie-Talkie Two Way FM Portable Radios”, Motorola, Inc., Eq. Cat. R3, Sec. 4, Item 79E, published 10/85.

Primary Examiner—Wallace R. Burke

Assistant Examiner—Ruth Takemoto

Attorney, Agent, or Firm—Martin J. McKinley

[57] CLAIM

The ornamental design for a battery charger for a portable radio or similar article, as shown and described.

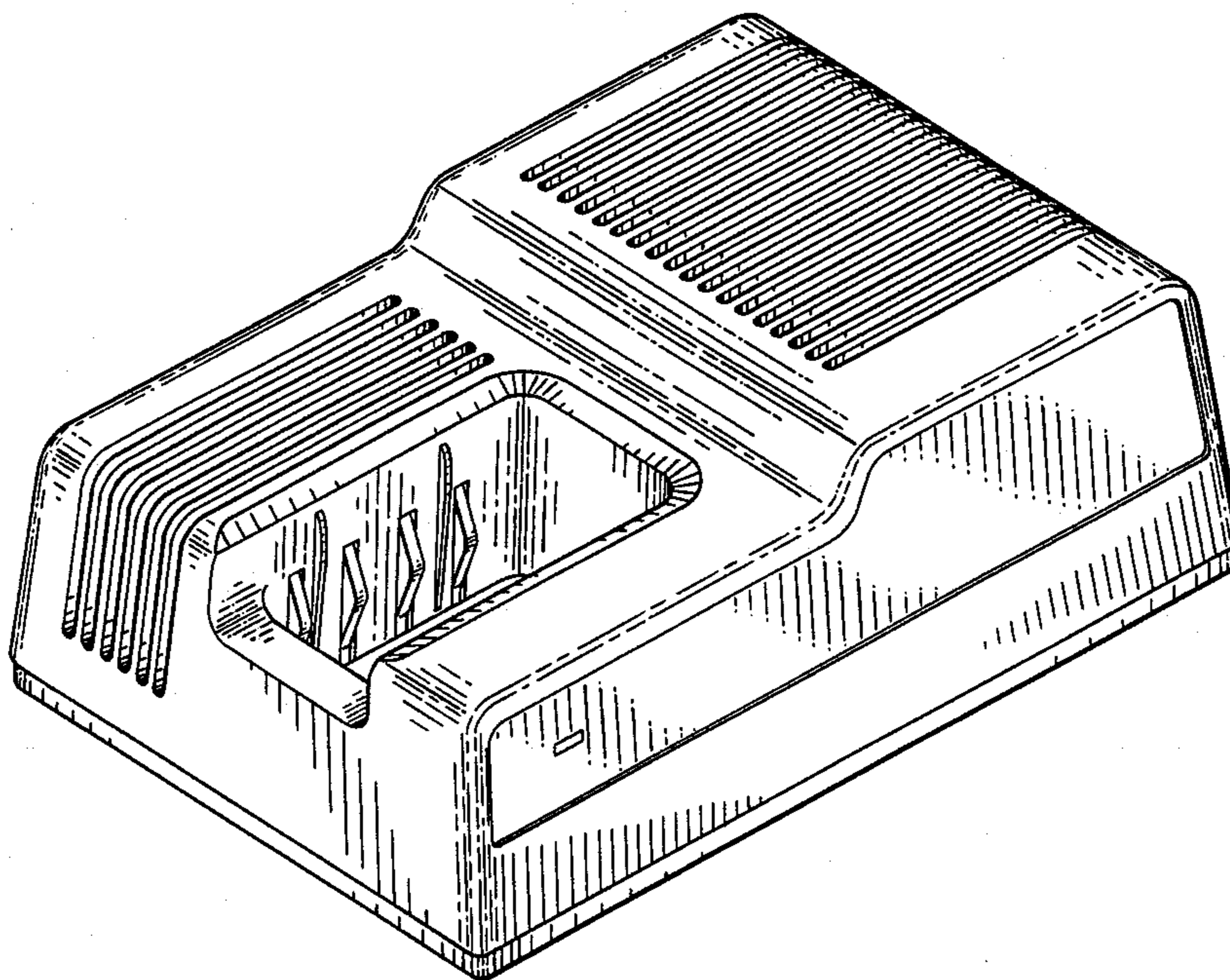
DESCRIPTION

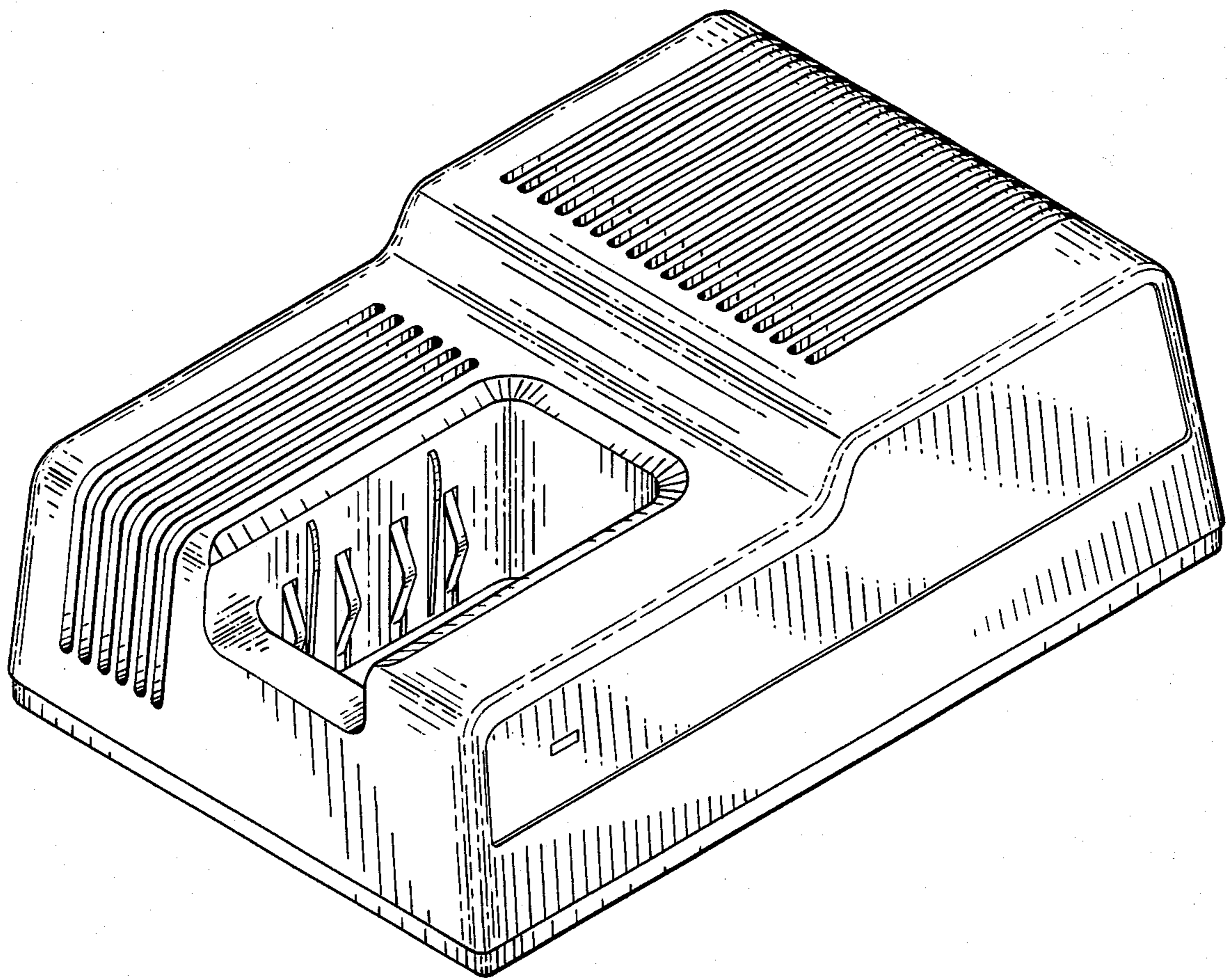
FIG. 1 is a front, top and left side perspective view of a battery charger for a portable radio or similar article showing our new design;

FIG. 2 is a right side elevational view thereof;

FIG. 3 is a rear elevational view thereof; and

FIG. 4 is a bottom plan view thereof.





*FIG. 1*

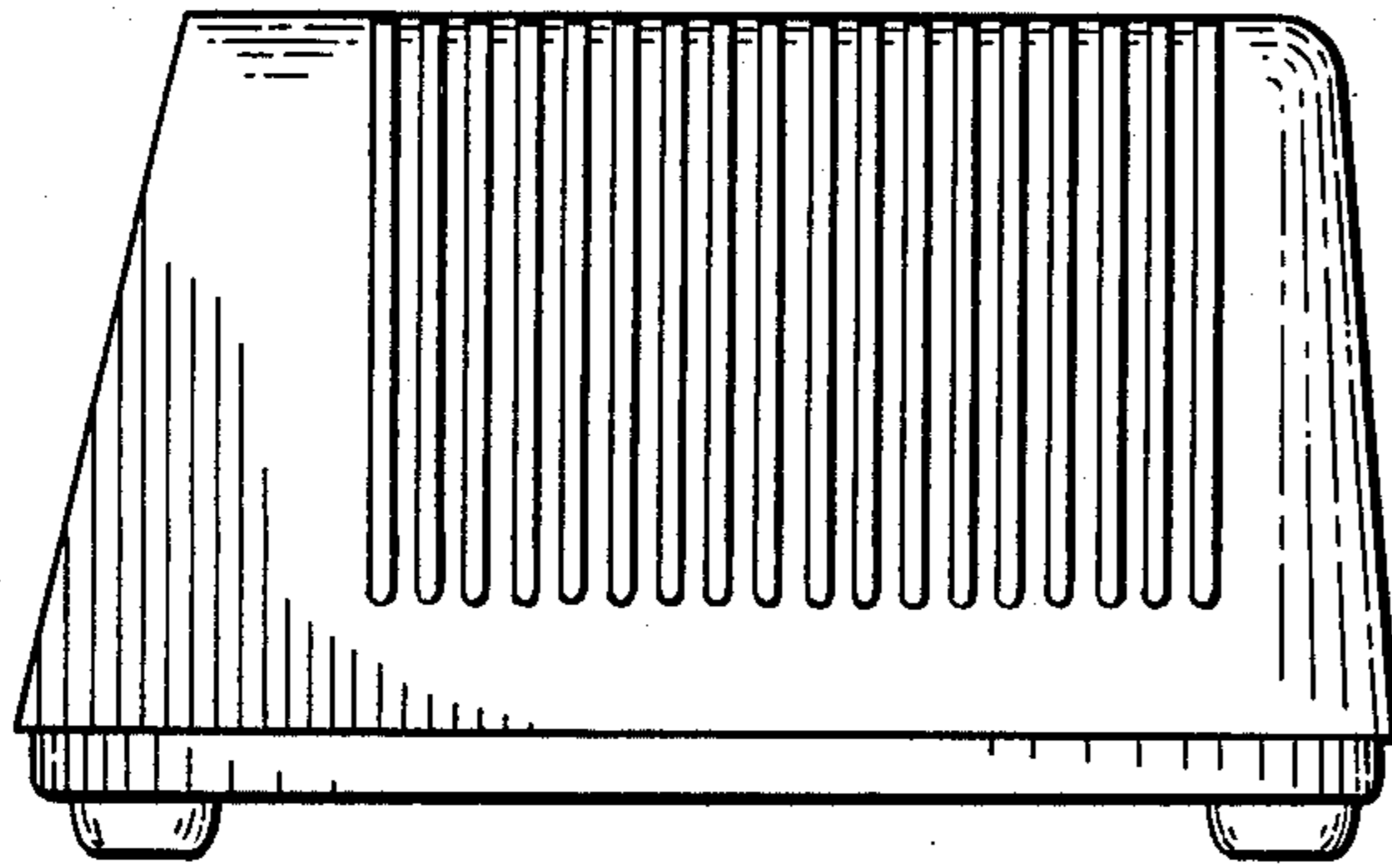


FIG. 2

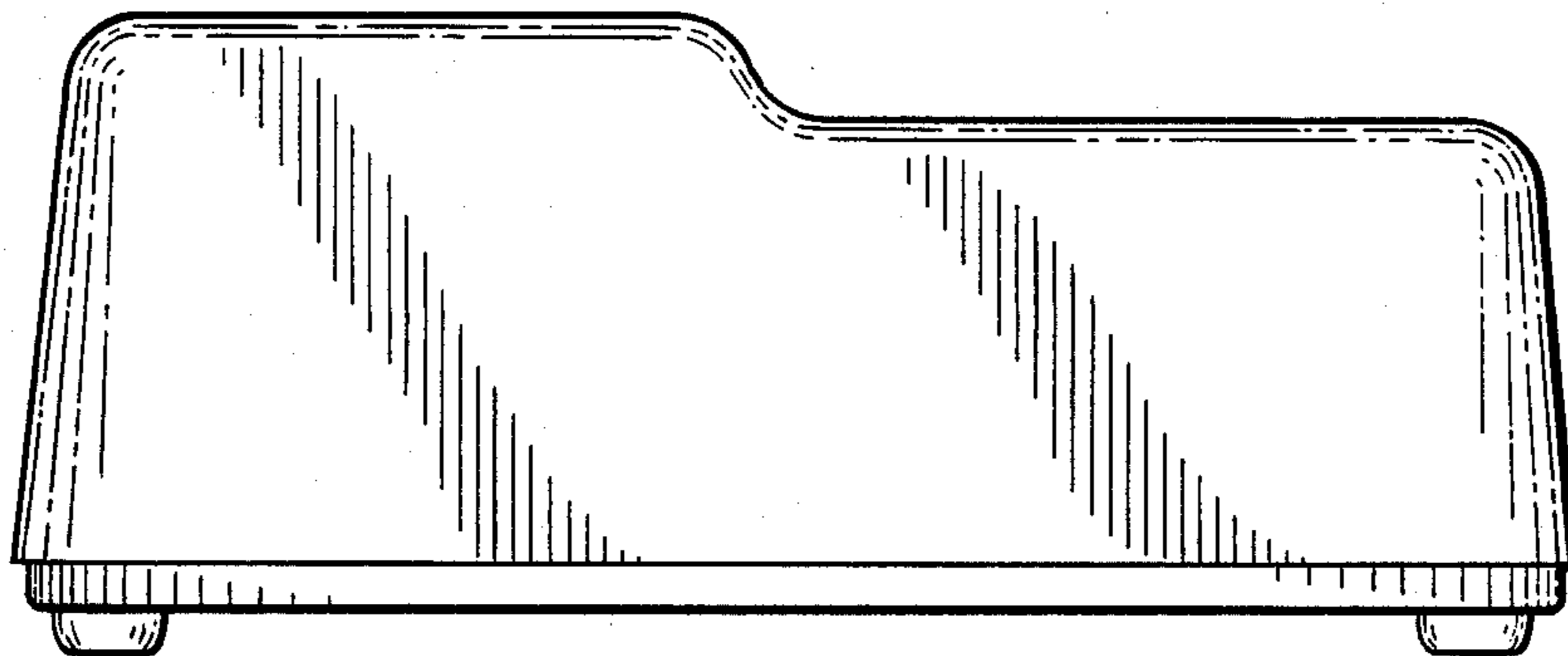


FIG. 3

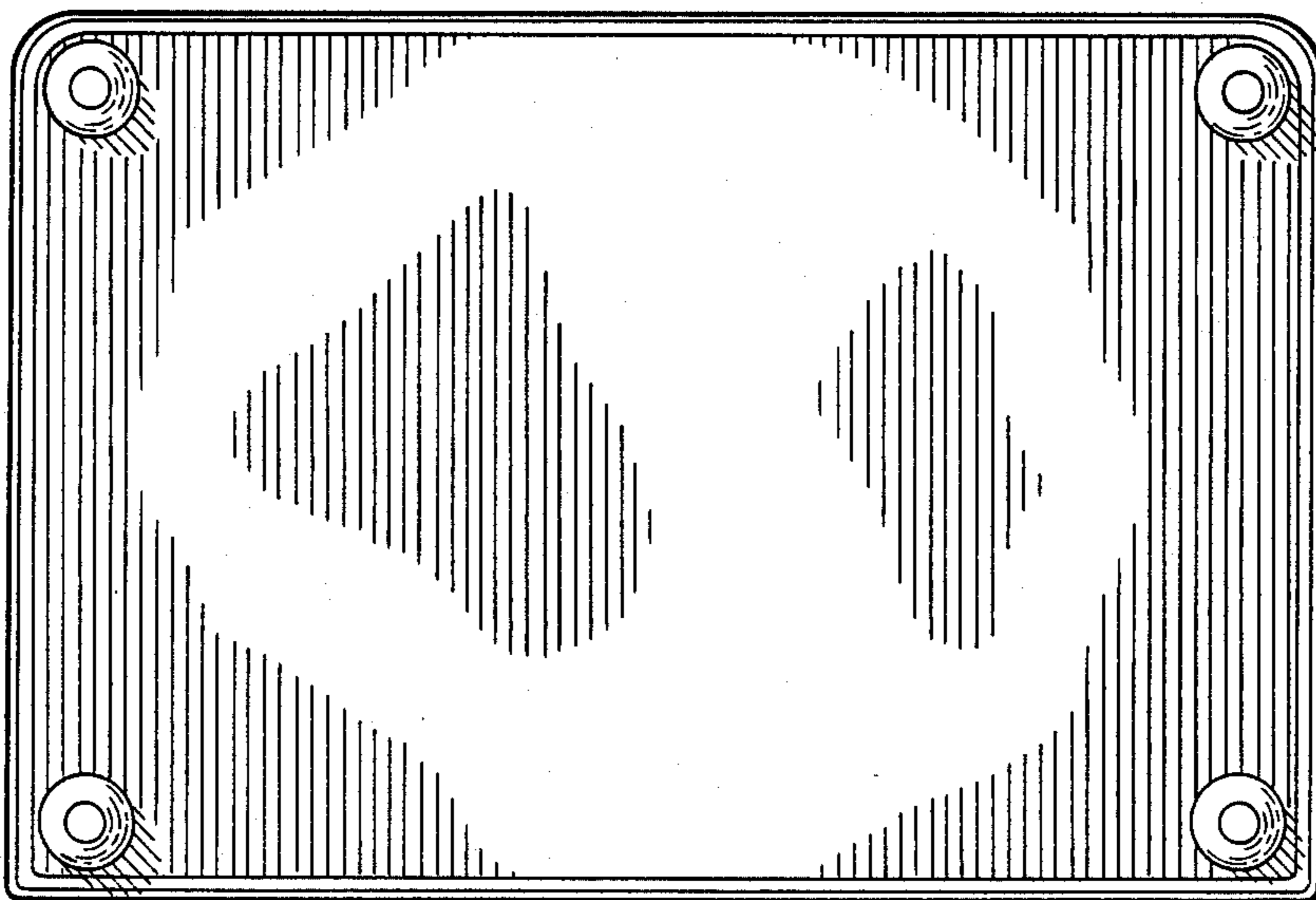


FIG. 4