

- [54] **ELECTRIC MOTOR**
[75] **Inventor: Michio Hoshino, Matsudo, Japan**
[73] **Assignee: Mabuchi Motor Co., Ltd., Japan**
[**] **Term: 14 Years**
[21] **Appl. No.: 771,194**
[22] **Filed: Aug. 30, 1985**
[30] **Foreign Application Priority Data**
Mar. 14, 1985 [JP] Japan 60-10141
[52] **U.S. Cl. D13/1**
[58] **Field of Search D13/1-3;**
310/10, 40 R, 40 MM, 71, 113, 261, 262, 265,
269, 270, 272; 290/1 A, 1 B; 307/150
[56] **References Cited**
U.S. PATENT DOCUMENTS
D. 178,722 9/1956 Dochterman D13/1
D. 198,375 6/1964 Cunningham et al. D13/1
4,237,394 12/1980 Aoki 310/113

4,500,804 2/1985 Akiyama 310/4 MM
4,523,117 6/1985 Daniels 310/71

OTHER PUBLICATIONS

Electrical Consultant, vol. 36, Nov. 1980, p. 26, "Canon FN 30 Series Motors".

Primary Examiner—Wallace R. Burke
Assistant Examiner—Ruth Takemoto
Attorney, Agent, or Firm—McGlew and Tuttle

[57] **CLAIM**

The ornamental design for an electric motor, as shown and described.

DESCRIPTION

FIG. 1 is a front and right side perspective view of an electric motor showing my new design;
FIG. 2 is a front elevational view thereof;
FIG. 3 is a right side elevational view thereof;
FIG. 4 is a rear elevational view thereof;
FIG. 5 is a left side elevational view thereof;
FIG. 6 is a top plan view thereof; and
FIG. 7 is a bottom plan view thereof.

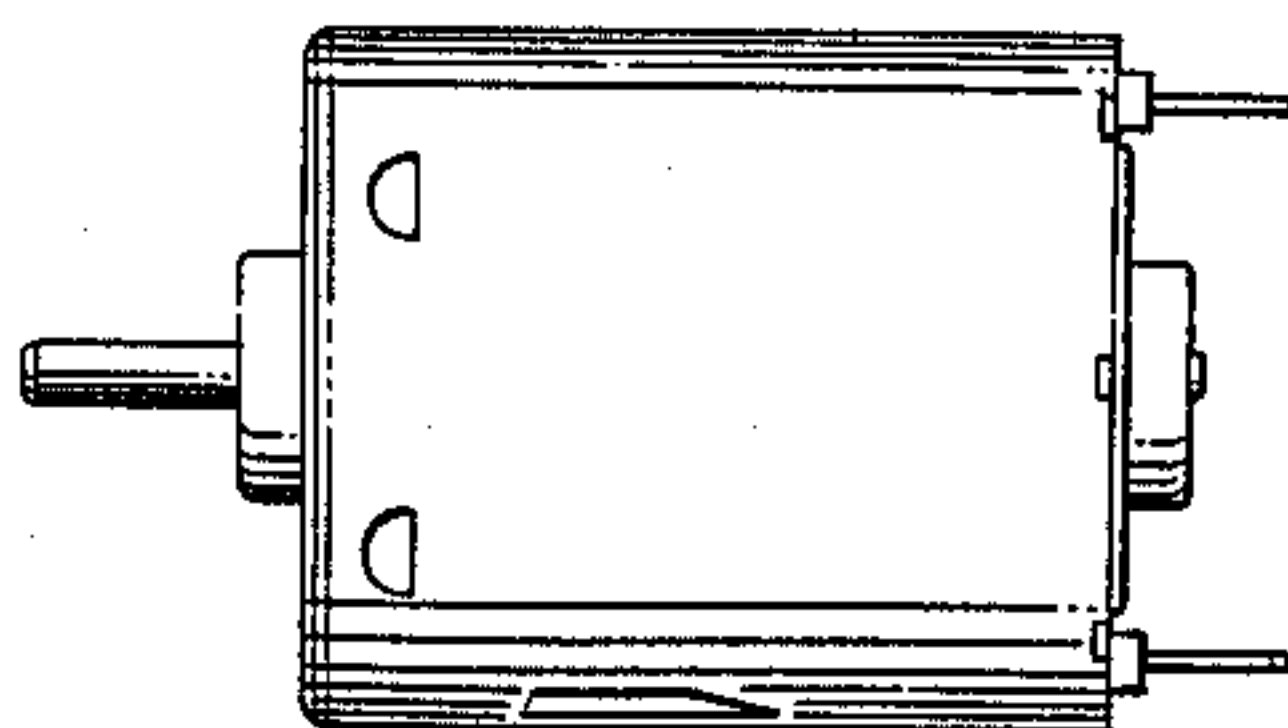
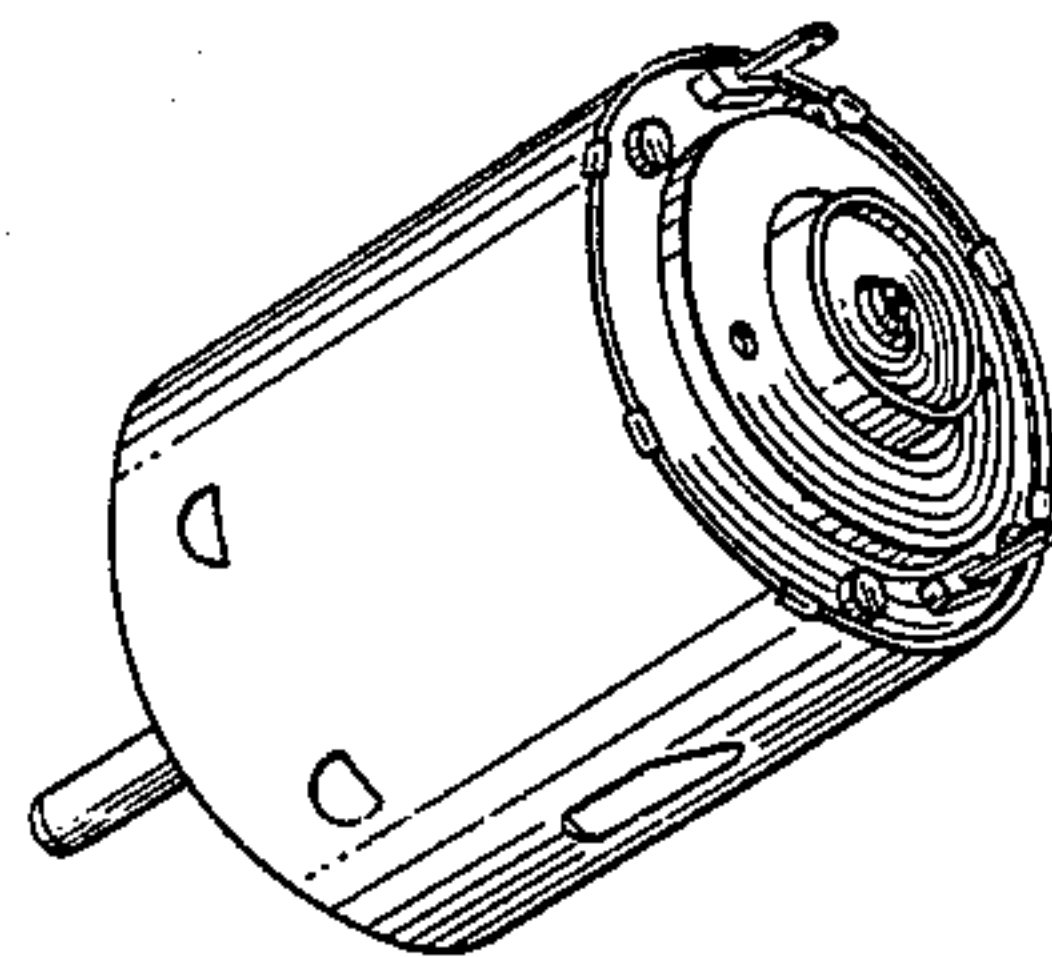


FIG. 1

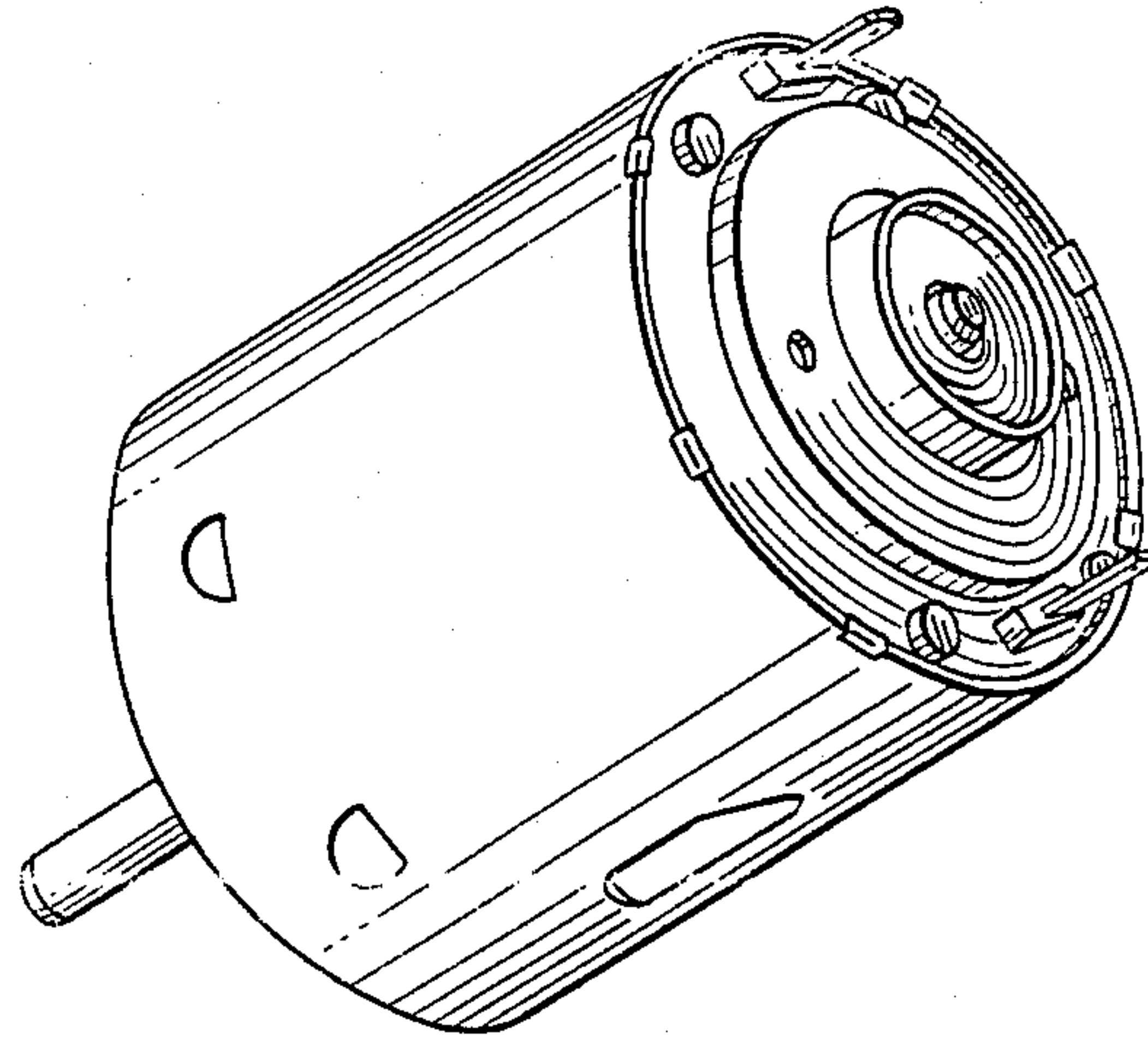


FIG. 2

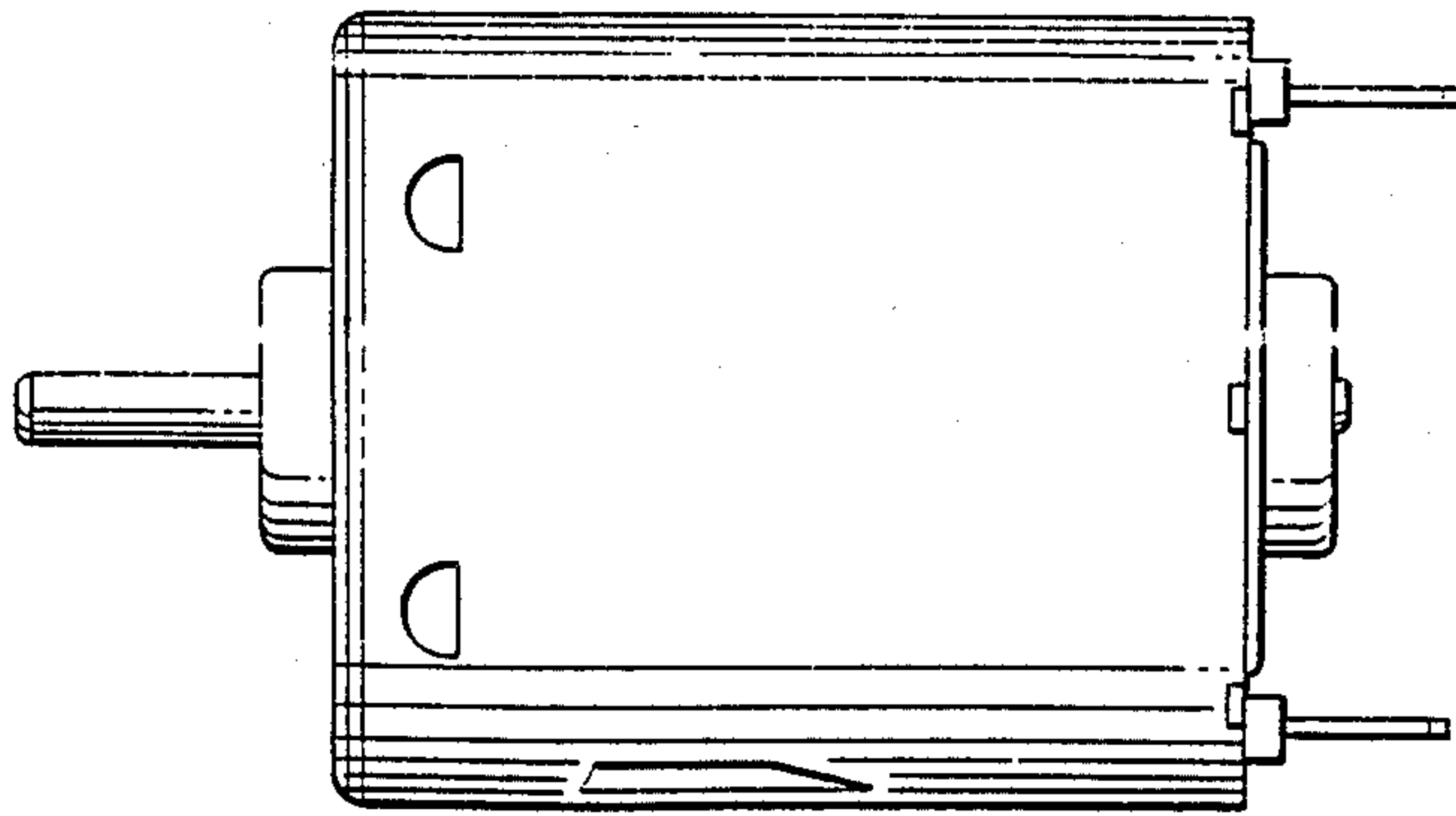


FIG. 3

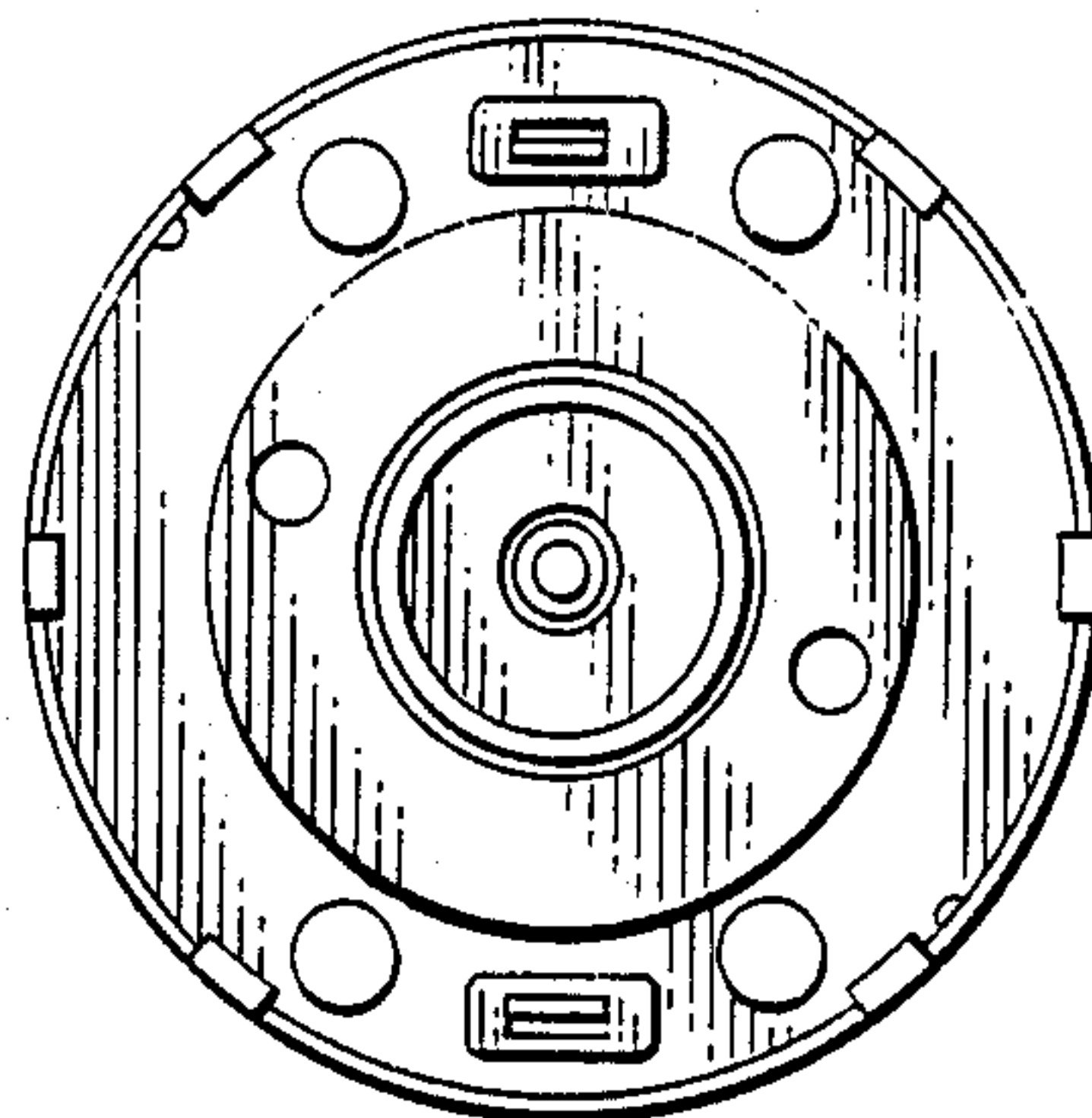


FIG. 4

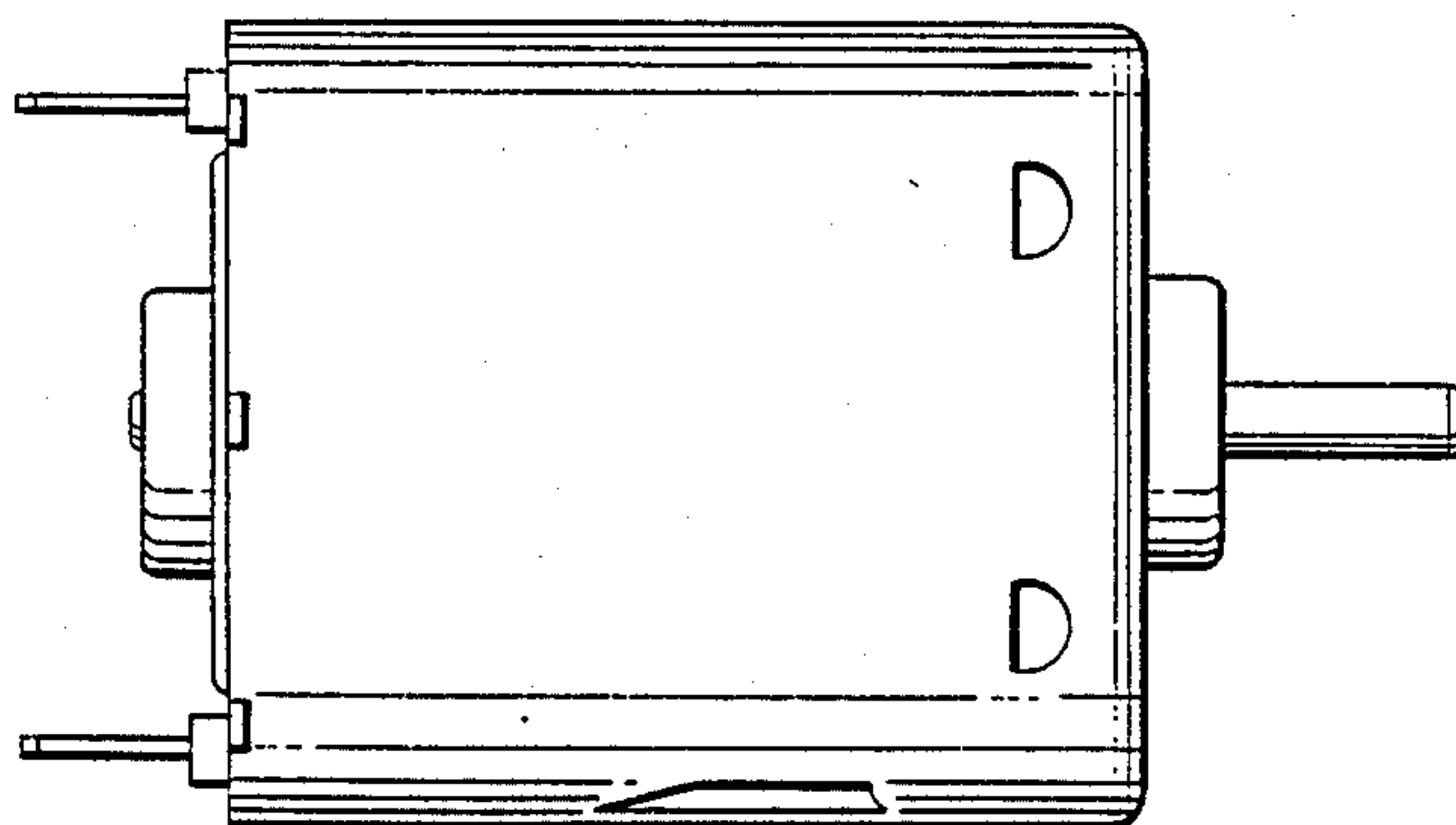


FIG. 5

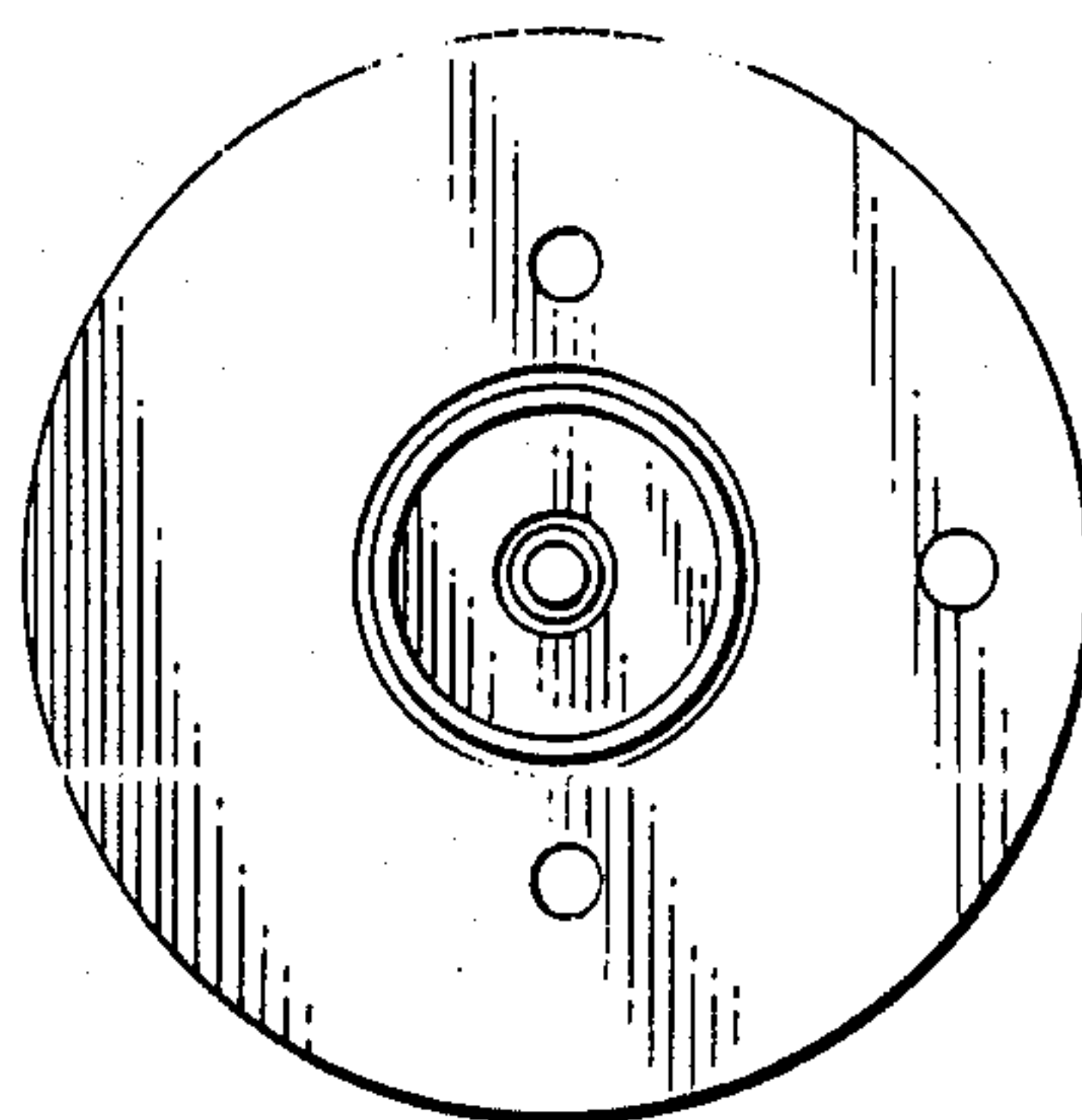


FIG. 6

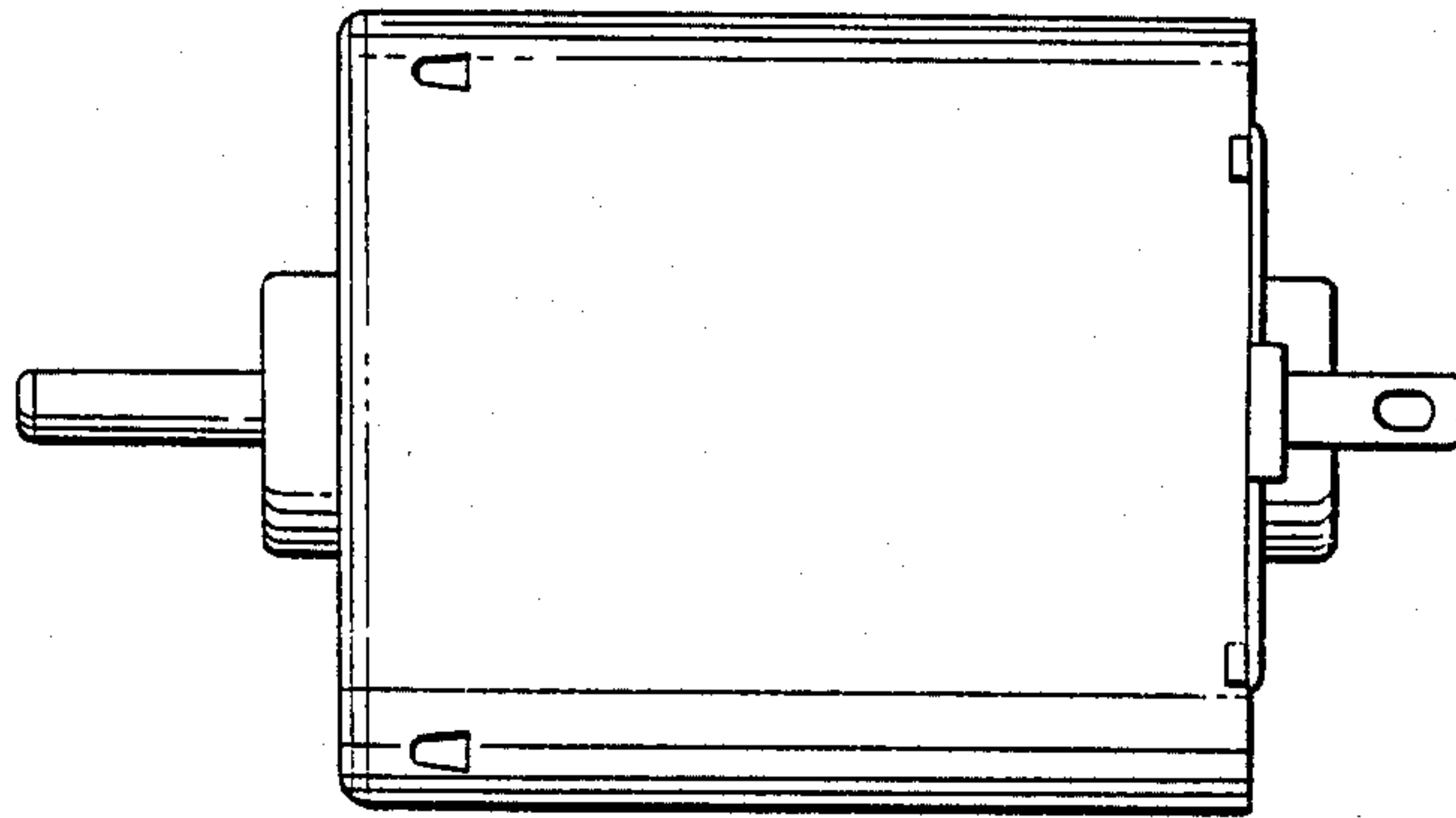


FIG. 7

