

[54] MAST CRADLE FOR A CATAMARAN SAILBOAT

[76] Inventor: John C. Nations, 3347 E. Emile Zola, Phoenix, Ariz. 85032

[**] Term: 14 Years

[21] Appl. No.: 606,326

[22] Filed: May 2, 1984

[52] U.S. Cl. D12/317; D12/304

[58] Field of Search D12/303, 304, 317; 114/99, 91, 343

[56] References Cited

U.S. PATENT DOCUMENTS

4,352,337 10/1982 Wyoral 114/343
4,448,143 5/1984 Welsh 114/99

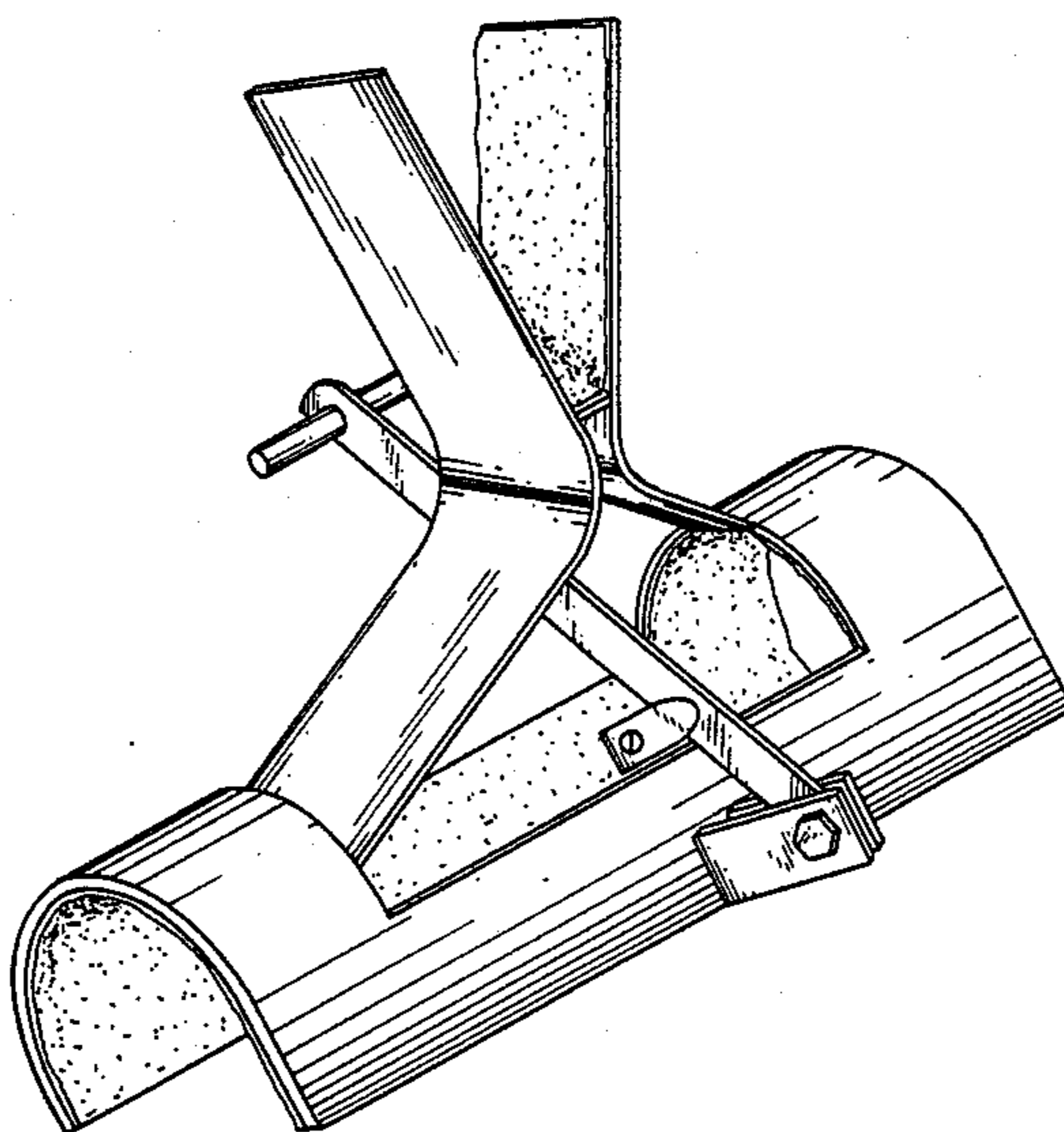
Primary Examiner—Wallace R. Burke
Assistant Examiner—Kay H. Chin
Attorney, Agent, or Firm—Terry M. Gernstein

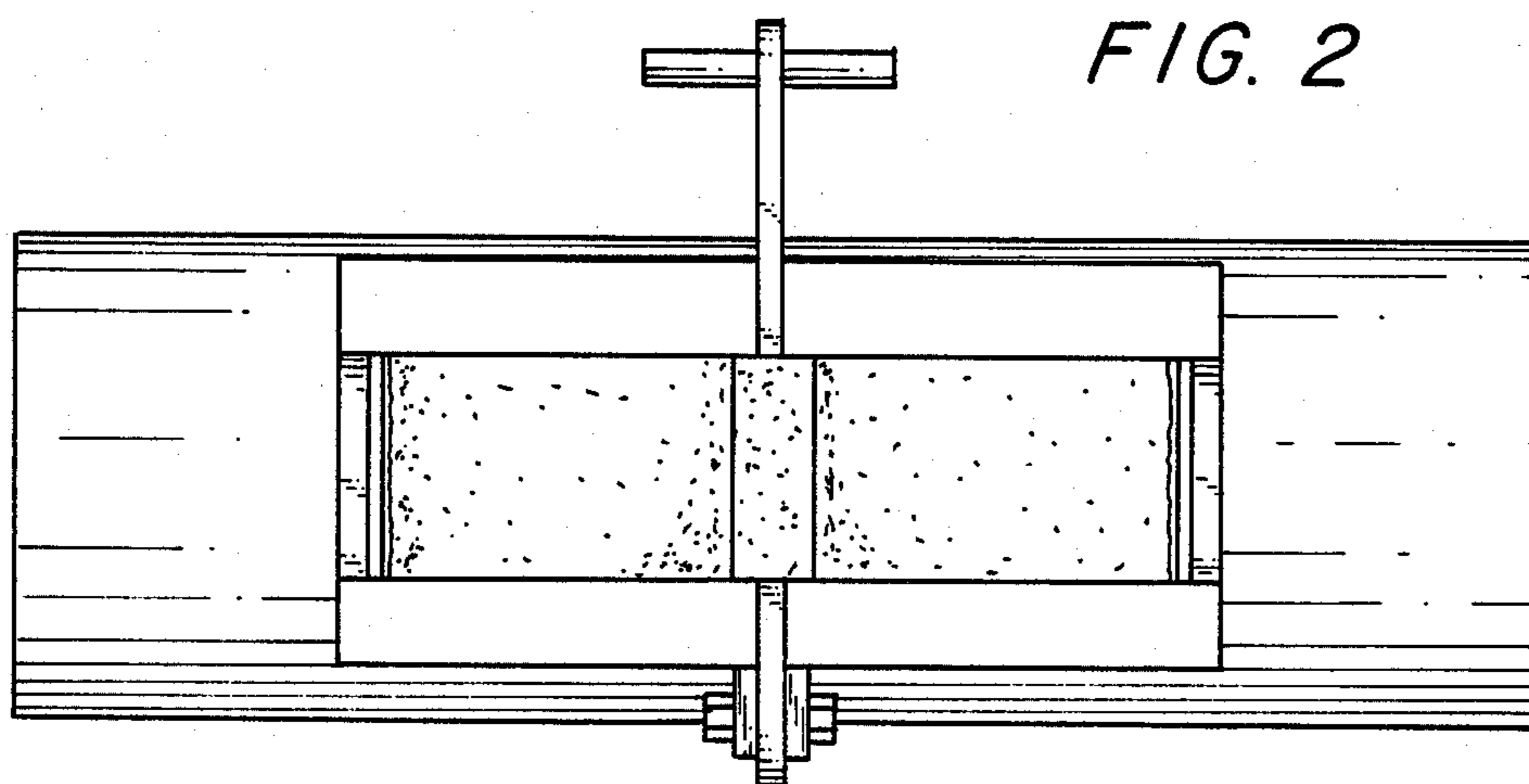
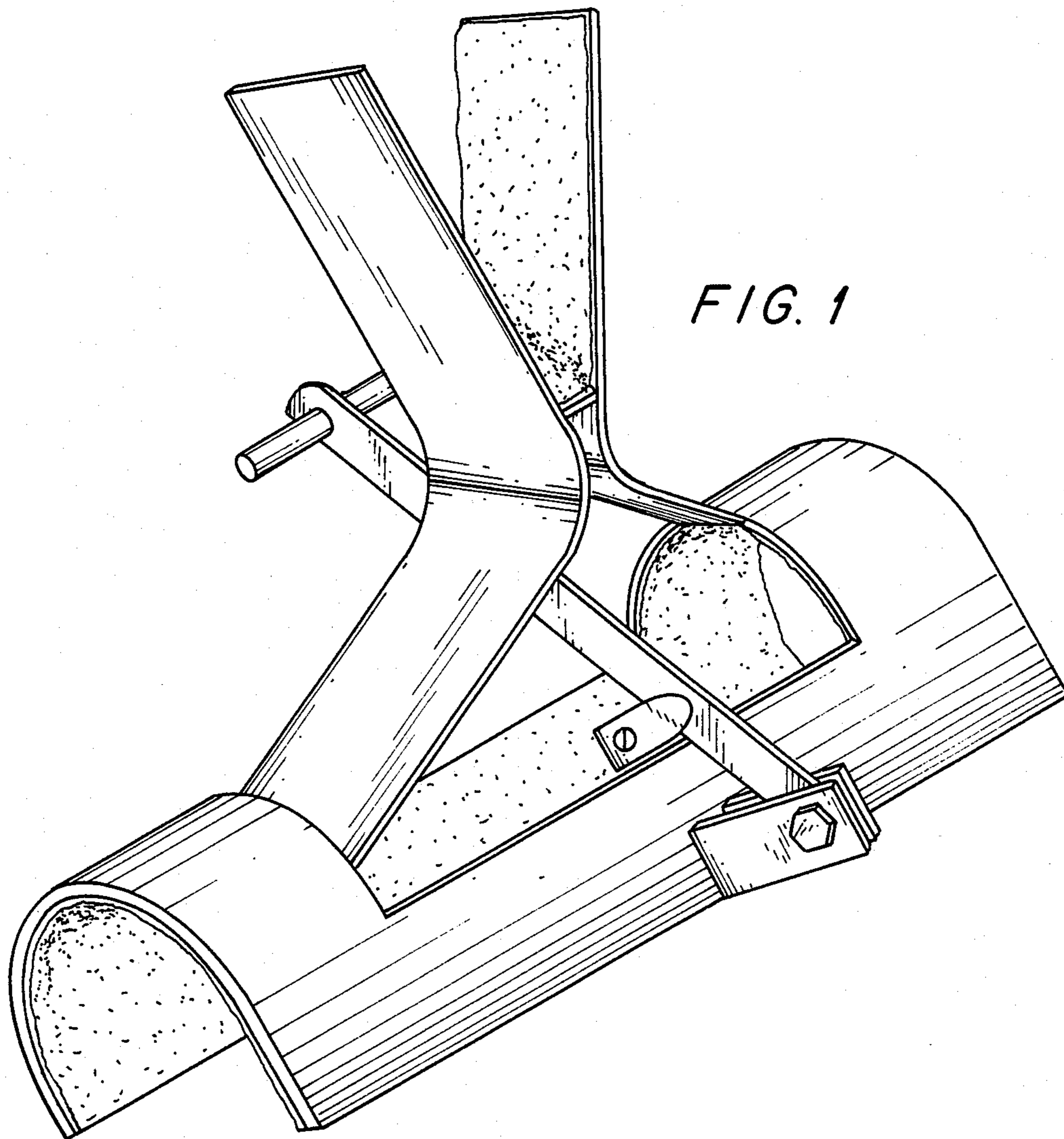
[57] CLAIM

The ornamental design for a mast cradle for a catamaran sailboat, as shown and described.

DESCRIPTION

FIG. 1 is a perspective view of a mast cradle for a catamaran sailboat showing my new design;
FIG. 2 is a top plan view thereof;
FIG. 3 is a bottom plan view thereof;
FIG. 4 is a front end elevational view thereof;
FIG. 5 is a rear end elevational view thereof; and,
FIG. 6 is a reduced side elevational view thereof, the opposite side, elevational view being a mirror image of that shown.





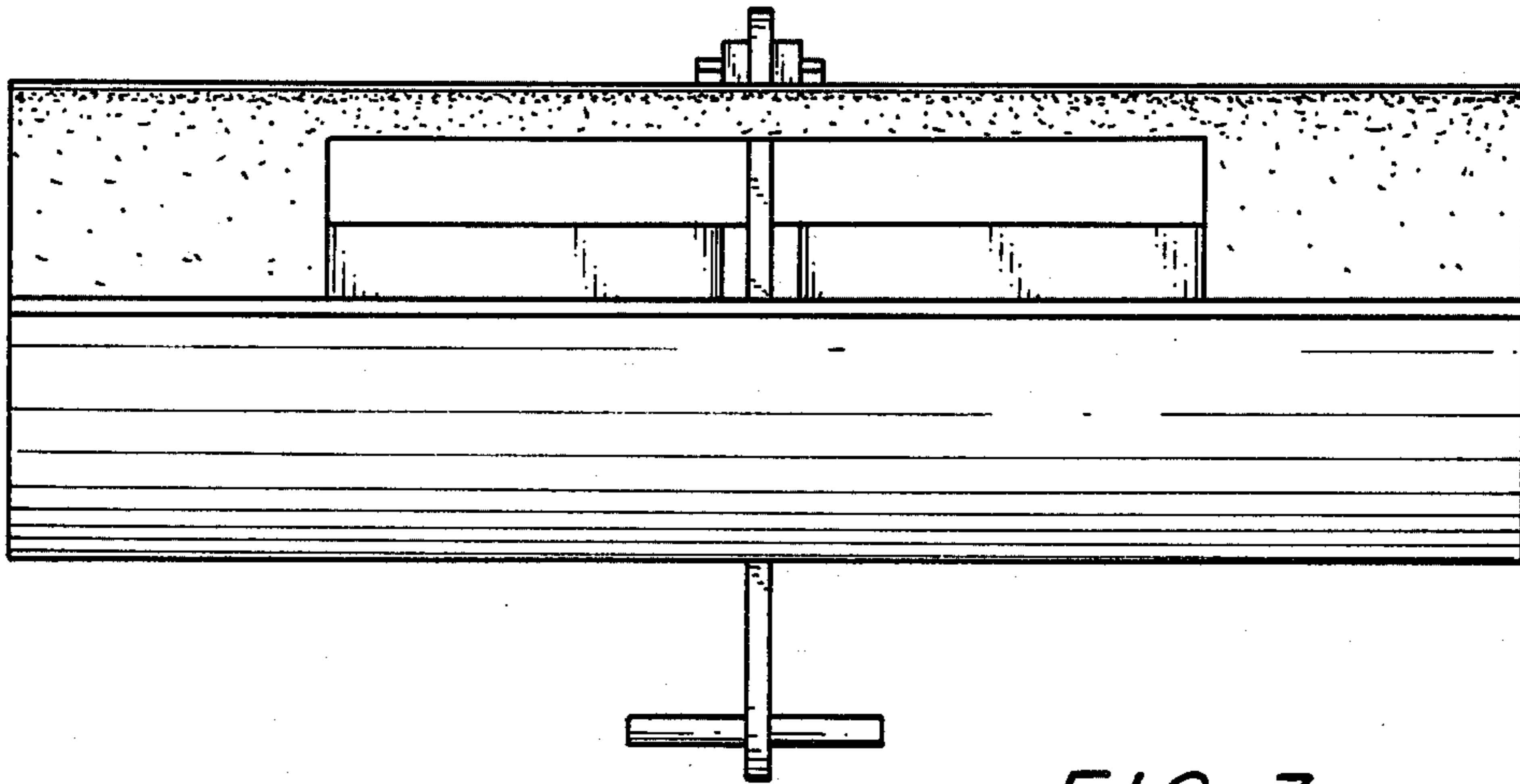


FIG. 3

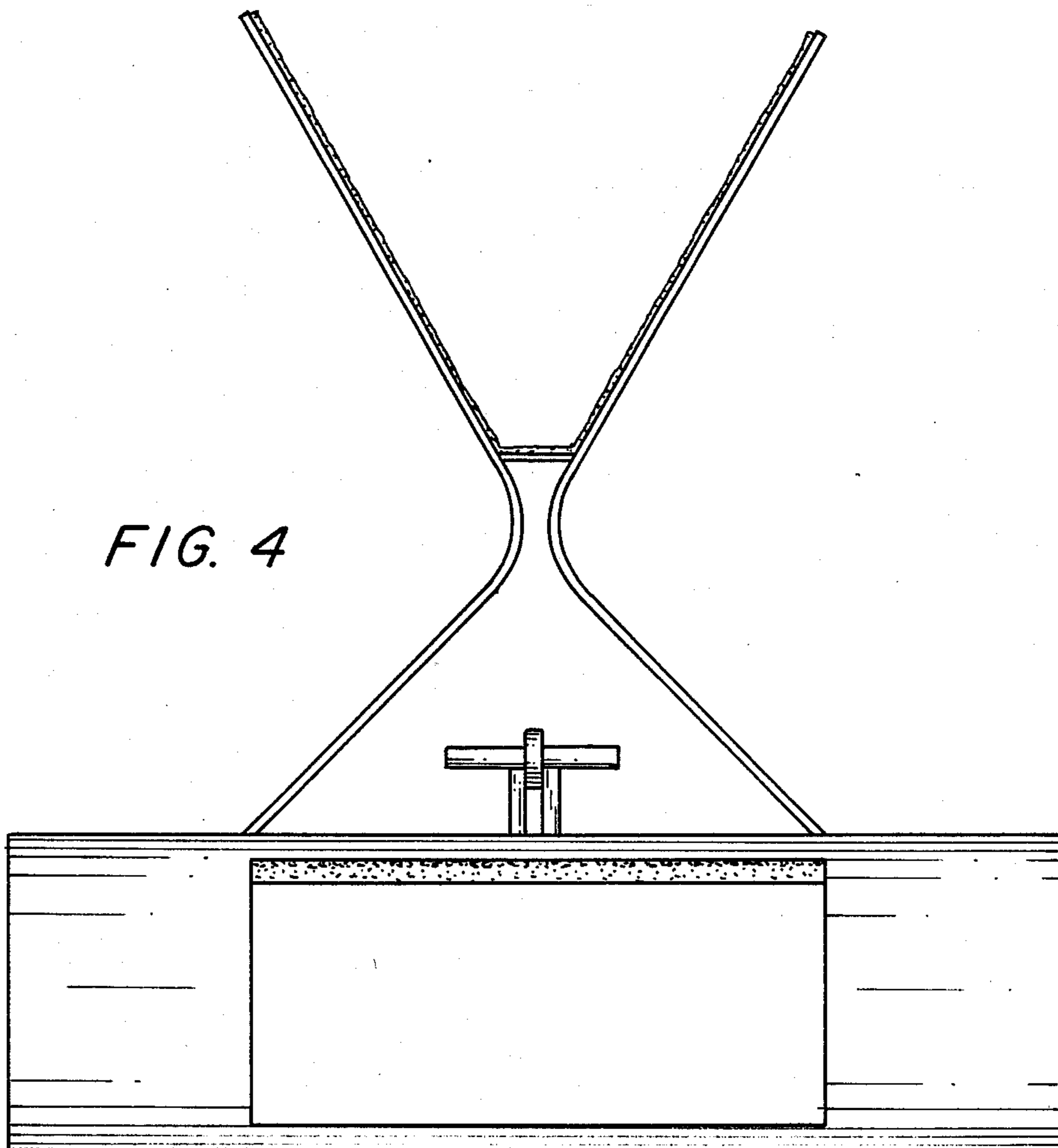


FIG. 4

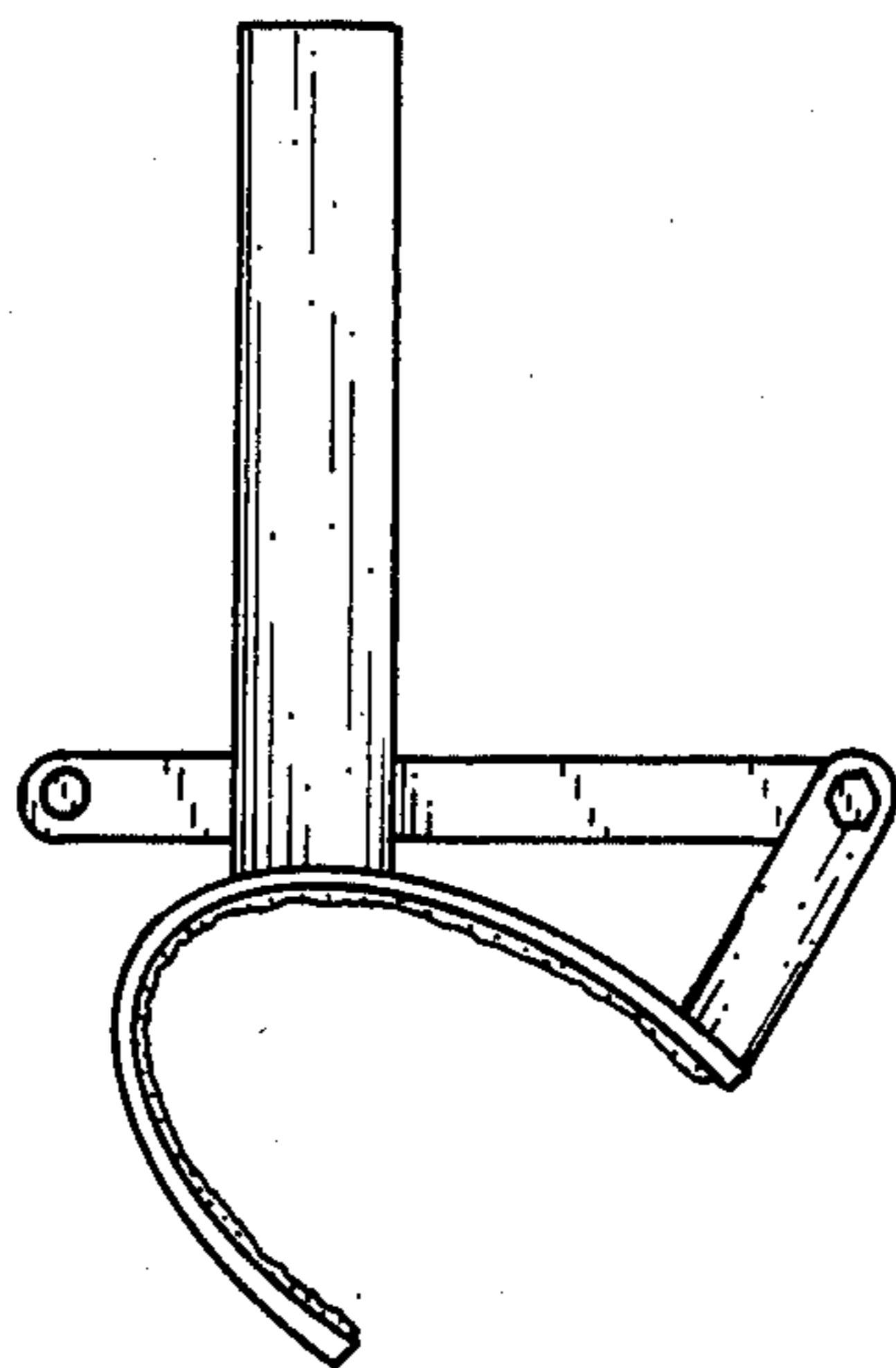


FIG. 6

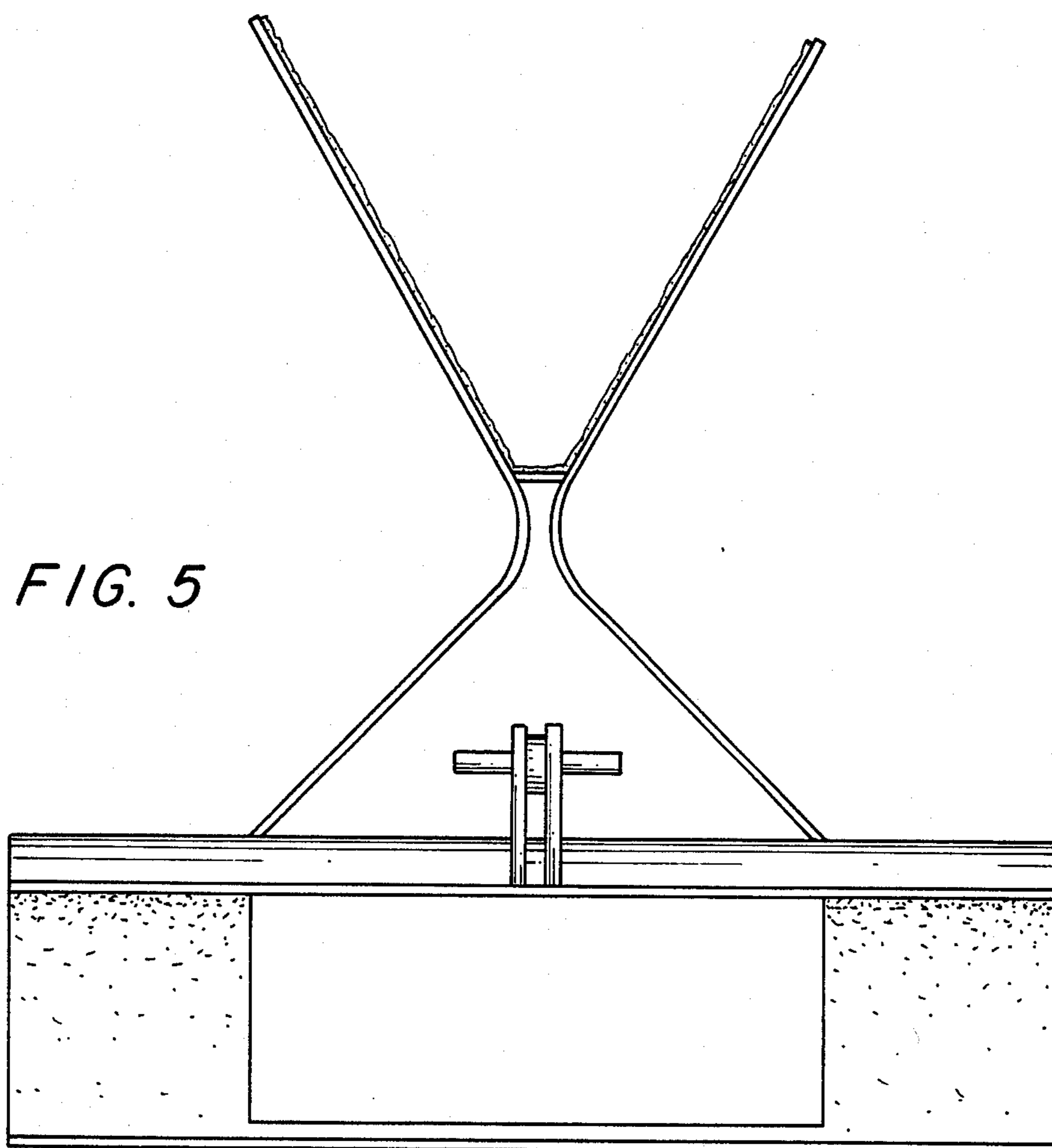


FIG. 5