

[54] **PLANTER**
[75] **Inventor: Jody A. Hobson, Wooster, Ohio**
[73] **Assignee: Rubbermaid Incorporated, Wooster, Ohio**
[**] **Term: 14 Years**
[21] **Appl. No.: 873,222**
[22] **Filed: Jun. 11, 1986**
[52] **U.S. Cl. D11/152**
[58] **Field of Search D11/143, 152, 153, 155;
D7/5, 13, 22, 23, 29; 47/66, 72, 79, 80**

[56] **References Cited**
U.S. PATENT DOCUMENTS
D. 165,249 11/1951 Soyster D7/13
D. 259,776 7/1981 Waterfield D11/153
3,990,179 11/1976 Johnson et al. 47/67
4,315,382 2/1982 Kay et al. 47/66

OTHER PUBLICATIONS
Sell Sheet, Ron Gordon Designs, 225 Fifth Avenue,
NY, NY 10010, date unknown.

Sell Sheet, Towle Mfg., Address unknown, published
1984.
Emsa Catalog, Publication, date and address unknown.
Jenkins Advertisement, published Jenkins Ceramics
Mfg. Inc., 10029 Bradley Street, Pacoima, CA 91331,
date unknown.
Fesco Advertisement p. 46, "Hardware Retailing, pub-
lished Fesco Corp., Box 828, Pittsburgh, PA 15230, Jan.
1976.

Primary Examiner—B. J. Bullock
Attorney, Agent, or Firm—Richard B. O'Planick

[57] **CLAIM**

The ornamental design for a planter, as shown and
described.

DESCRIPTION

FIG. 1 is a perspective view of a planter, embodying my
new design.
FIG. 2 is an enlarged side elevational view thereof;
FIG. 3 is an enlarged top plan view thereof;
FIG. 4 is an enlarged bottom plan view thereof;
FIG. 5 is an enlarged sectional view taken in the direc-
tion of the arrows on line 5—5 of FIG. 3.

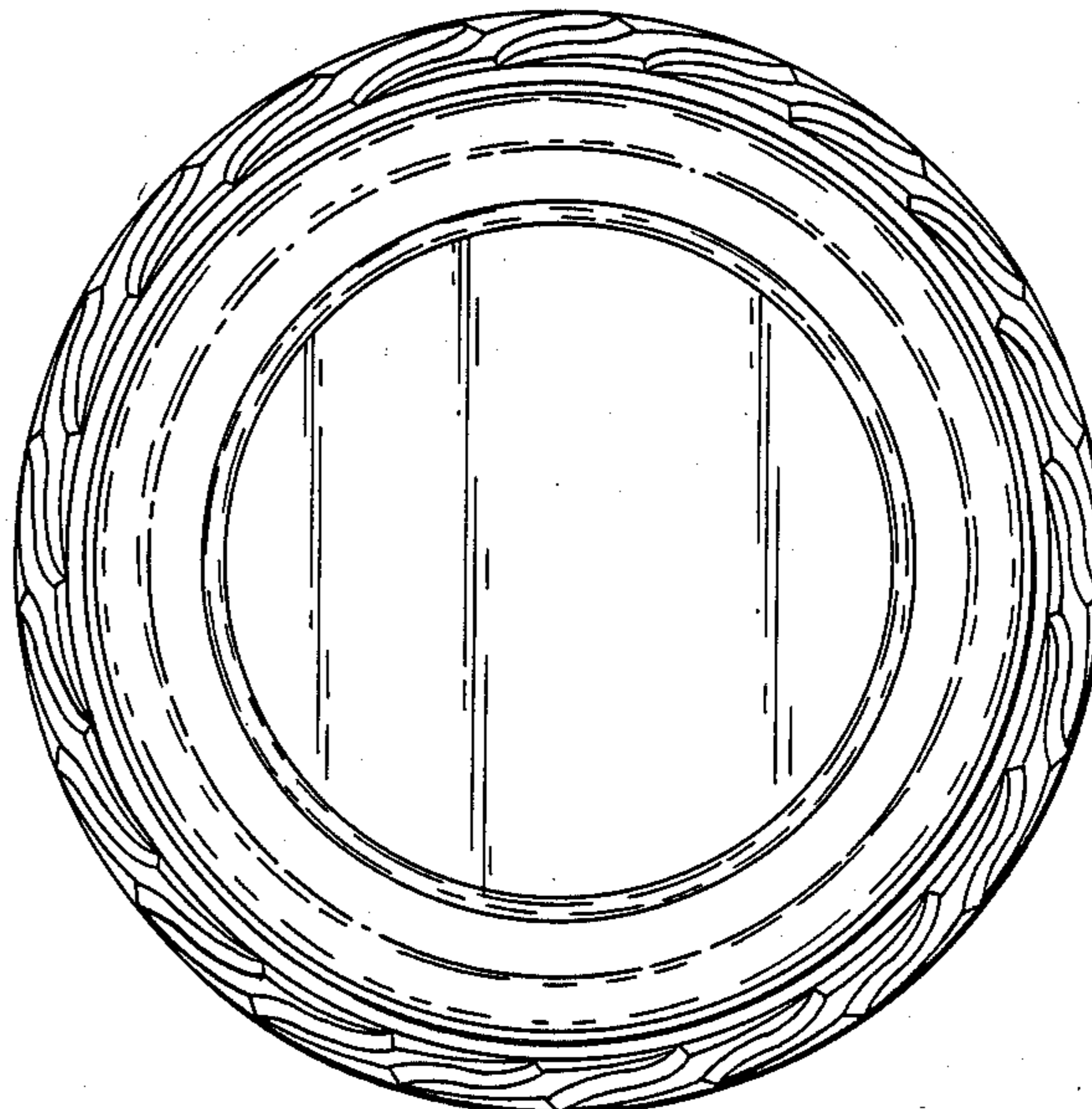
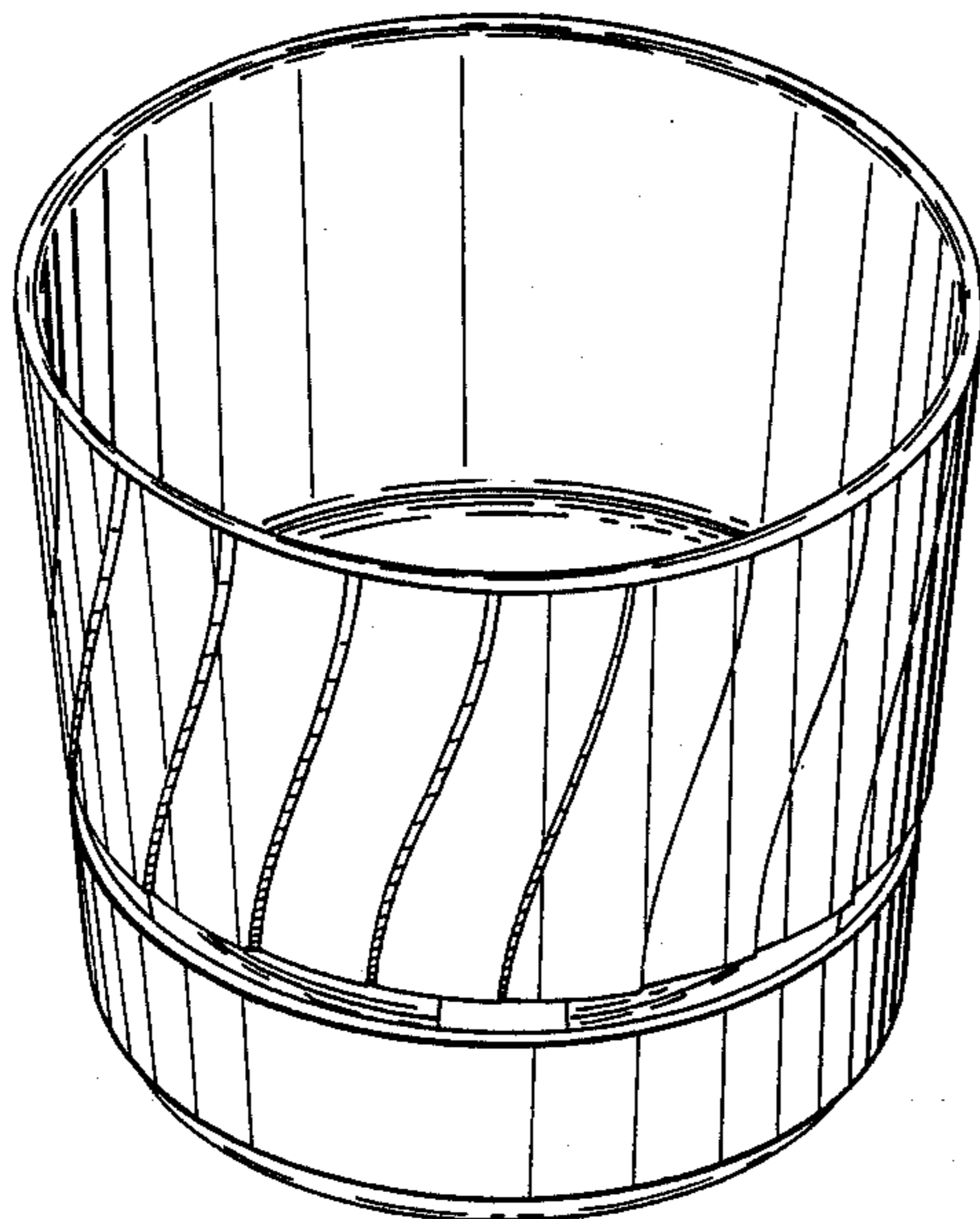


FIG. 1

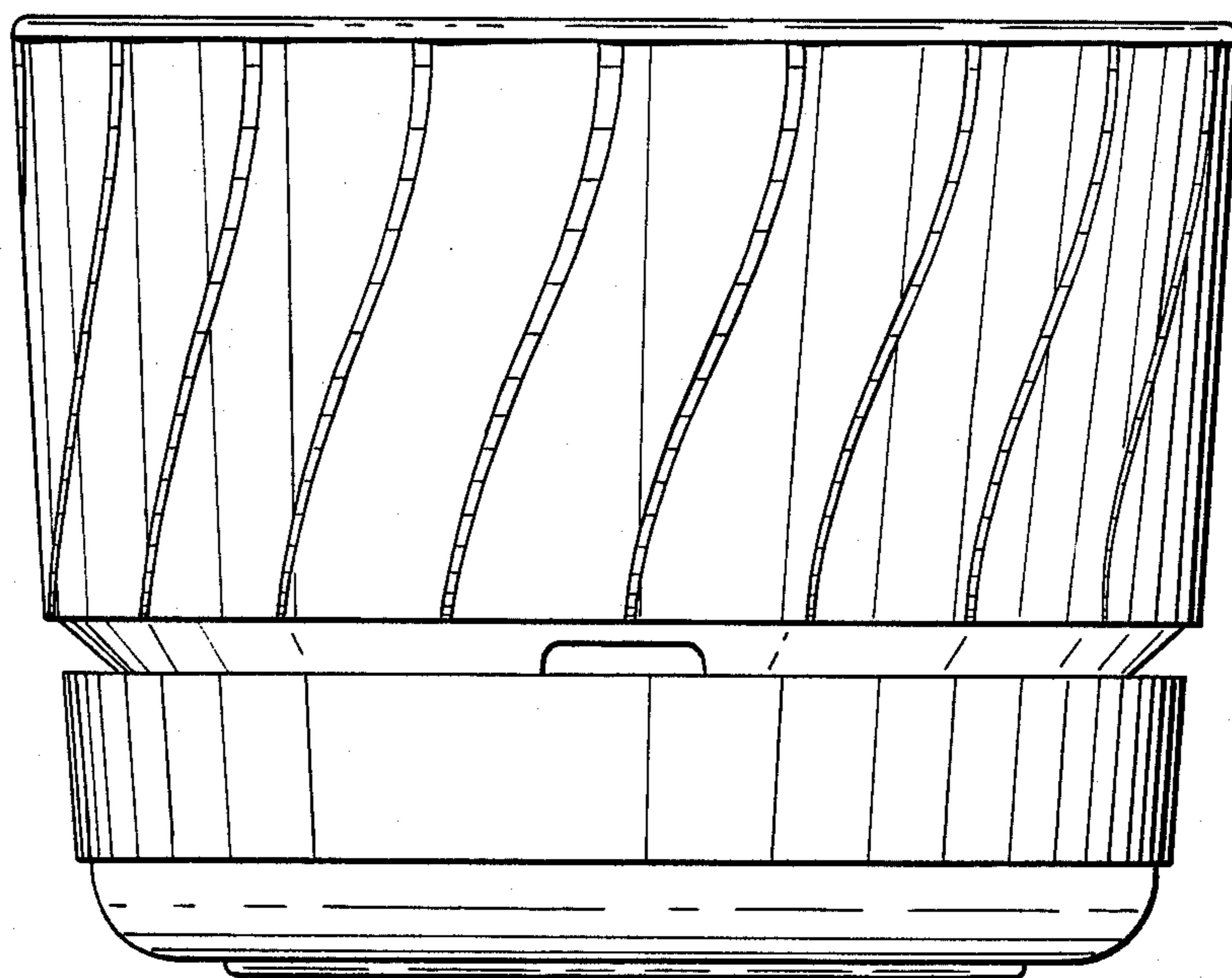
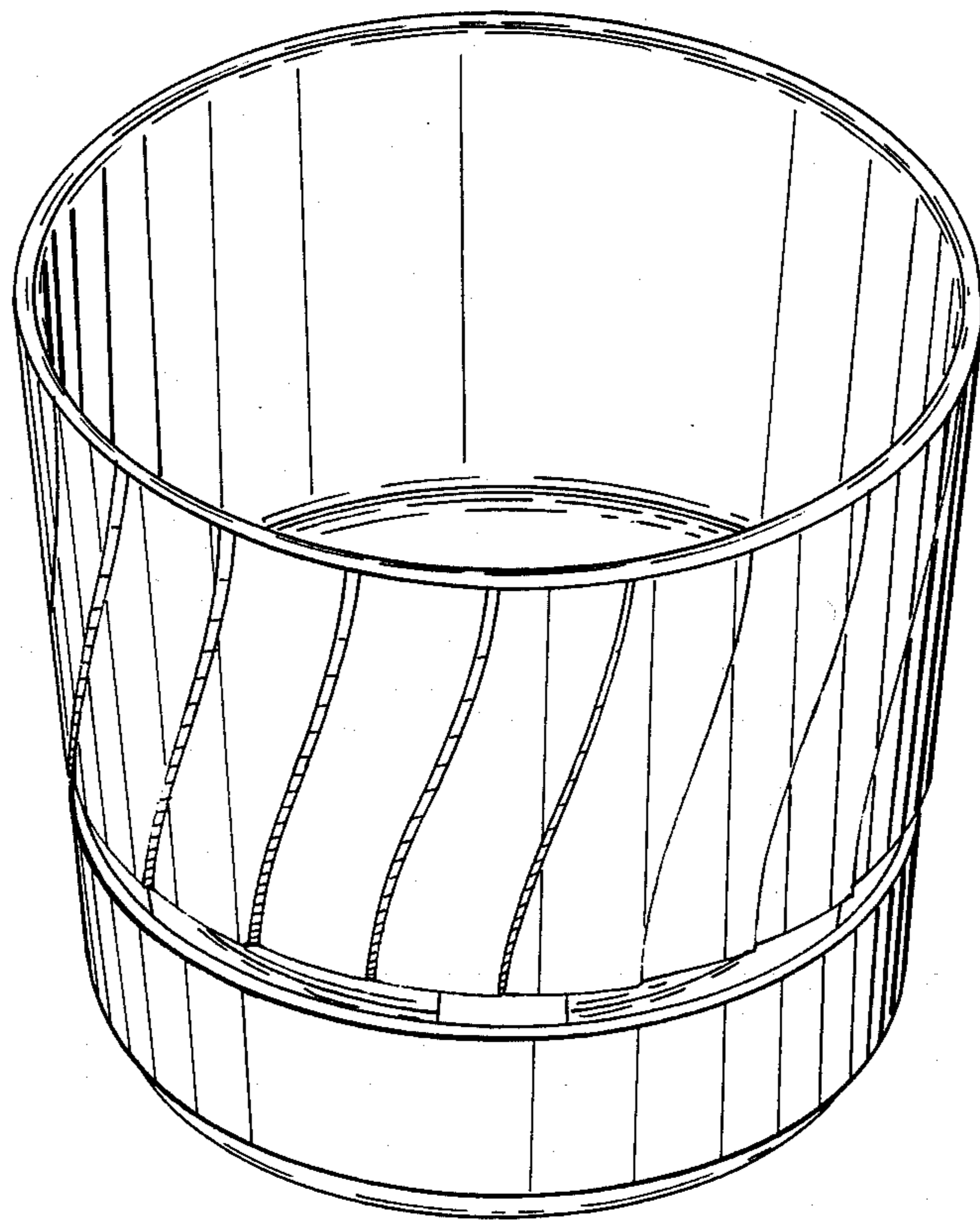
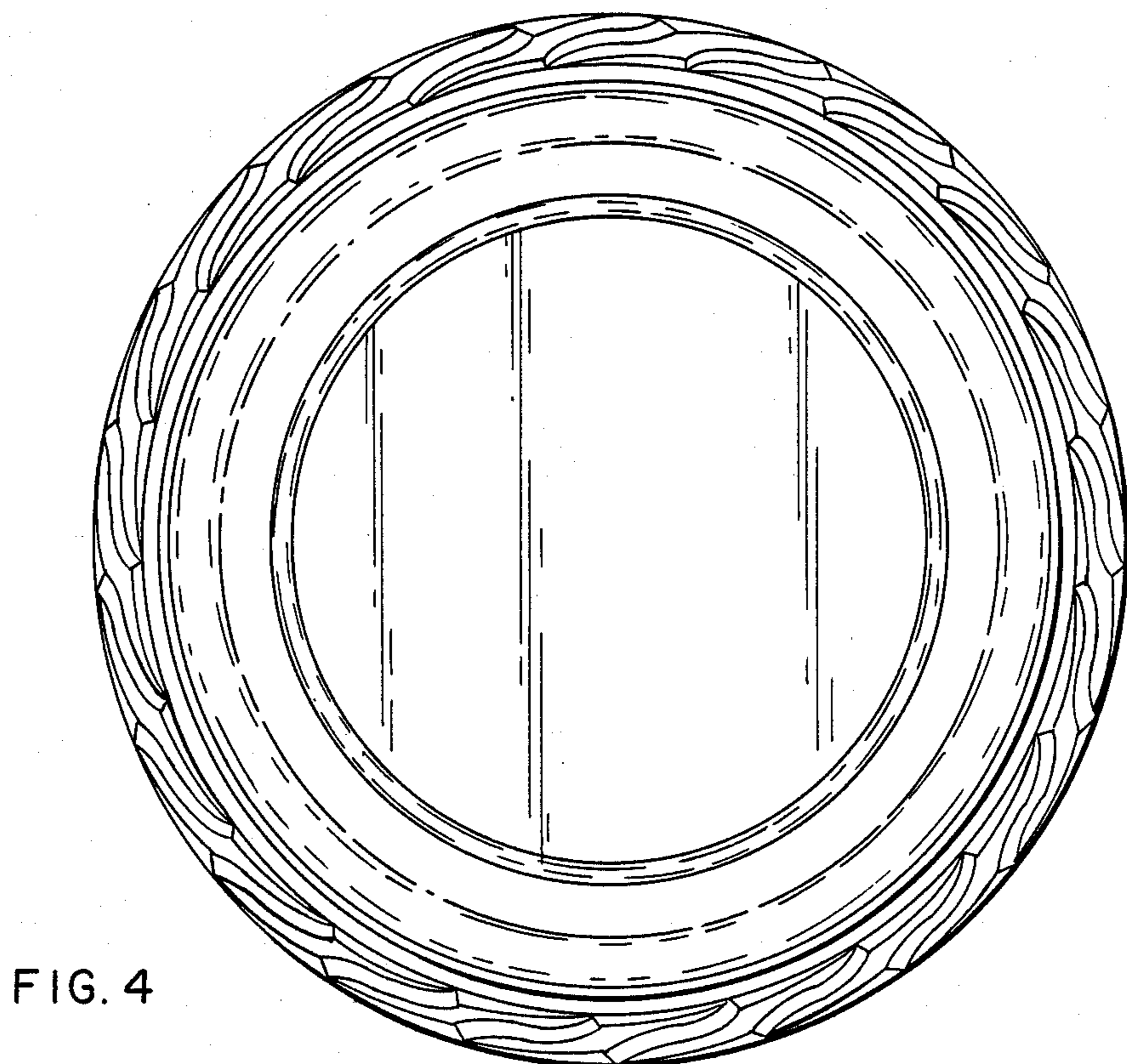
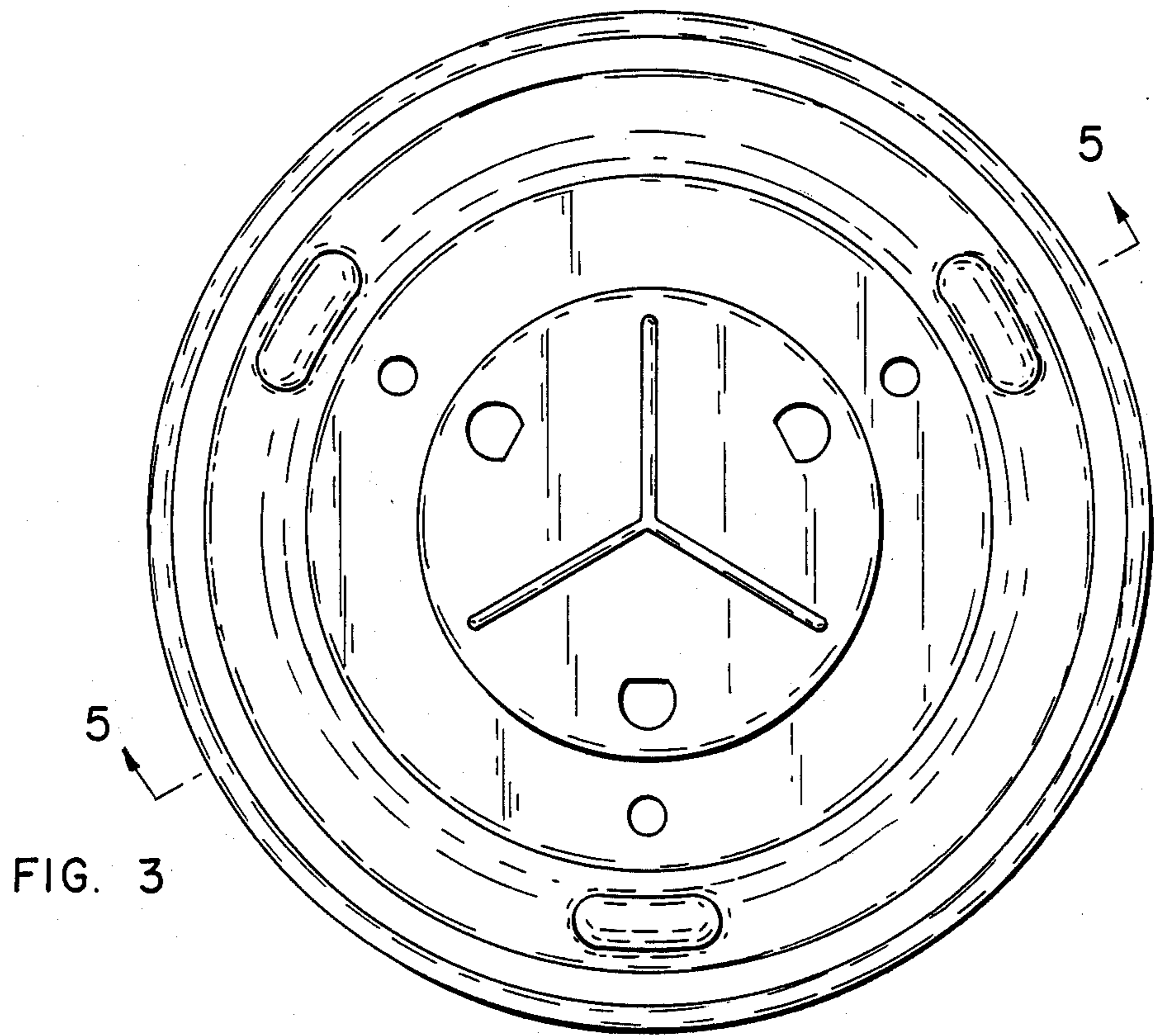


FIG. 2



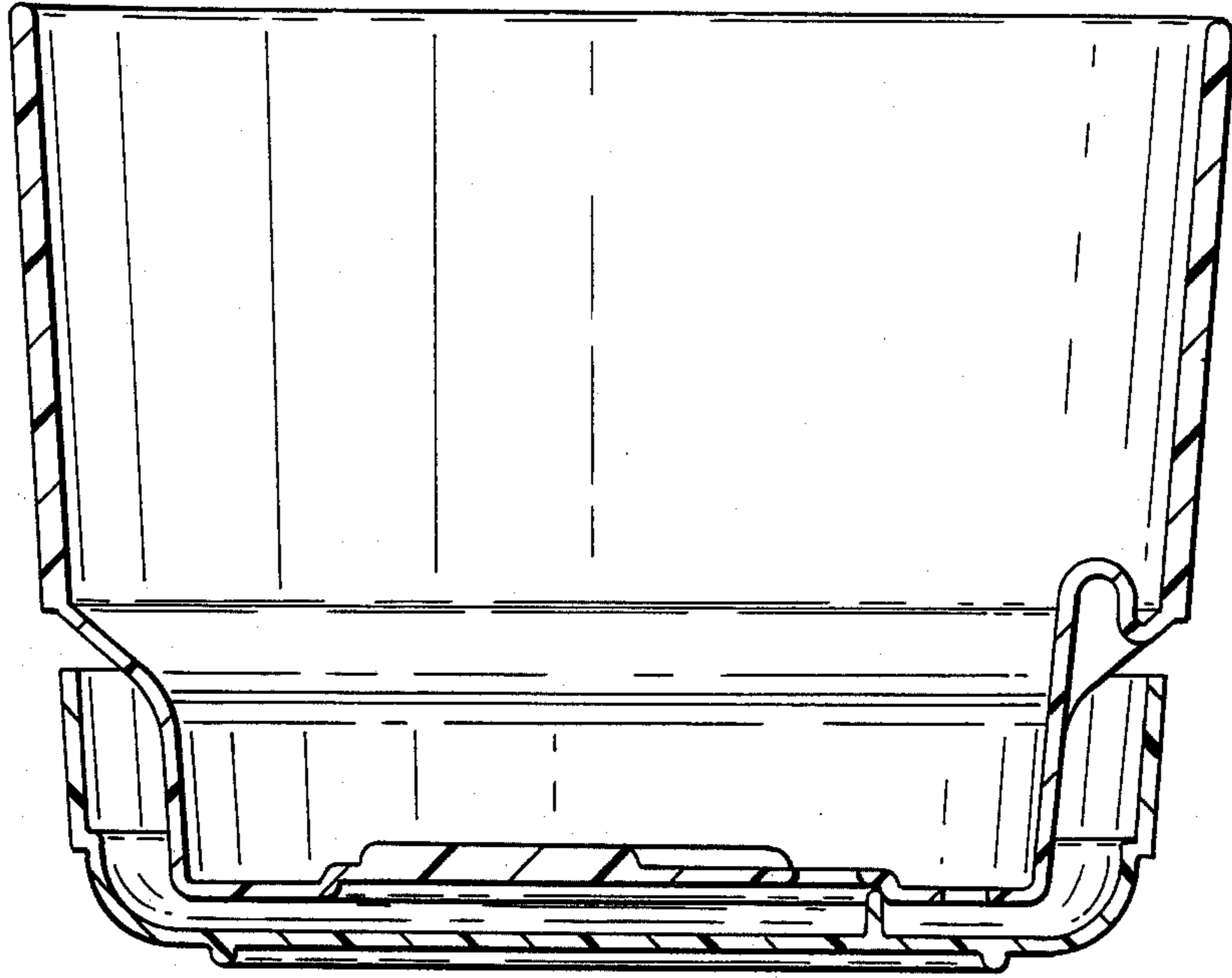


FIG. 5