

[54] SHOWER CURTAIN HOLDER

[75] Inventor: Terry L. Davis, New York, N.Y.

[73] Assignee: Waterware Corporation Inc., New York, N.Y.

[**] Term: 14 Years

[21] Appl. No.: 790,202

[22] Filed: Oct. 22, 1985

[52] U.S. Cl. D8/373

[58] Field of Search D8/373, 354, 349, 499, D8/383, 399; 59/1, 2, 3; D21/108, 237, 34; D12/316; D3/65; D11/3; 16/87.4 R; D99/26

[56] References Cited

U.S. PATENT DOCUMENTS

D. 25,615	6/1896	Harris	D8/383
D. 28,571	5/1898	Bradley	D8/399
D. 131,621	3/1942	Randall	D99/26
D. 179,321	11/1956	Sacksteder	D99/26
D. 197,655	3/1964	Kuhn	D21/108
D. 198,736	7/1964	Benson	D12/316
D. 235,157	5/1975	Echterling	D21/108
D. 264,694	1/1982	Takahashi	D21/108
D. 277,727	2/1985	Klaric	D21/108
675,224	5/1901	Kober	16/87.4 R
699,971	5/1902	Poschmann	16/87.4 R

853,756	6/1907	Bétis	D21/108
1,567,555	12/1975	Straussler	D21/237
2,267,249	12/1941	Monner	16/87.2
2,714,269	8/1955	Charles	D99/26
2,840,878	7/1958	Olson	D3/65
4,504,993	3/1985	Goungle	D3/65

FOREIGN PATENT DOCUMENTS

1761	7/1878	Austria	D11/3
768522	5/1934	France	D11/3
535167	11/1955	Italy	59/2

Primary Examiner—Horace B. Fay

Attorney, Agent, or Firm—Marvin S. Gittes

[57] CLAIM

The ornamental design for a shower curtain holder, as shown and described.

DESCRIPTION

FIG. 1 is a left side, top and front perspective view of a shower curtain holder showing my new design; FIG. 2 is left side elevational view thereof, the side opposite being a mirror image; and FIGS. 3 and 4 are respectively top and bottom plan views thereof. The broken line showing of a fragmentary part of a shower rod and of an abbreviated part of a shower curtain top is for illustrative purposes only and forms no part of the claimed design.

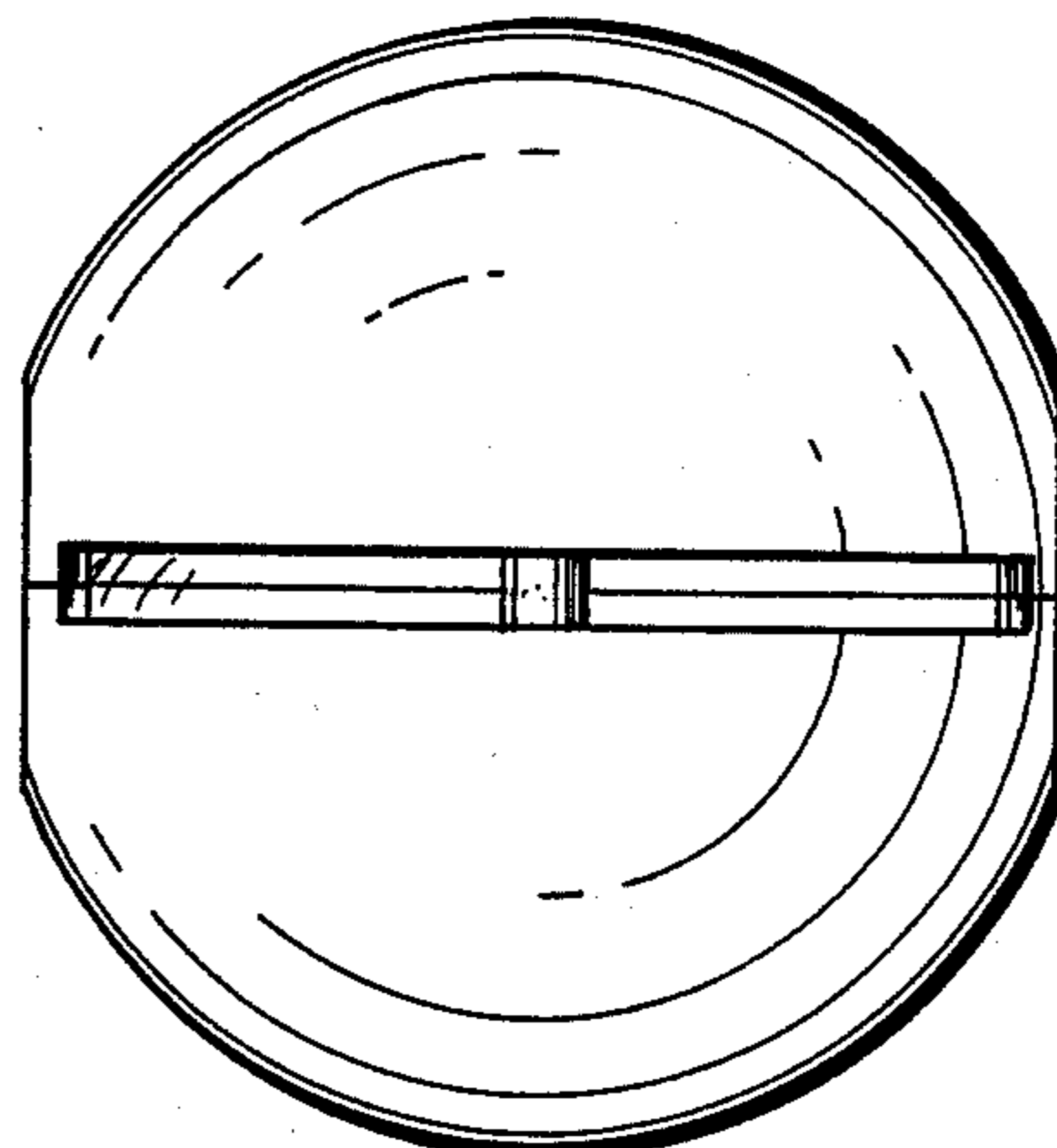
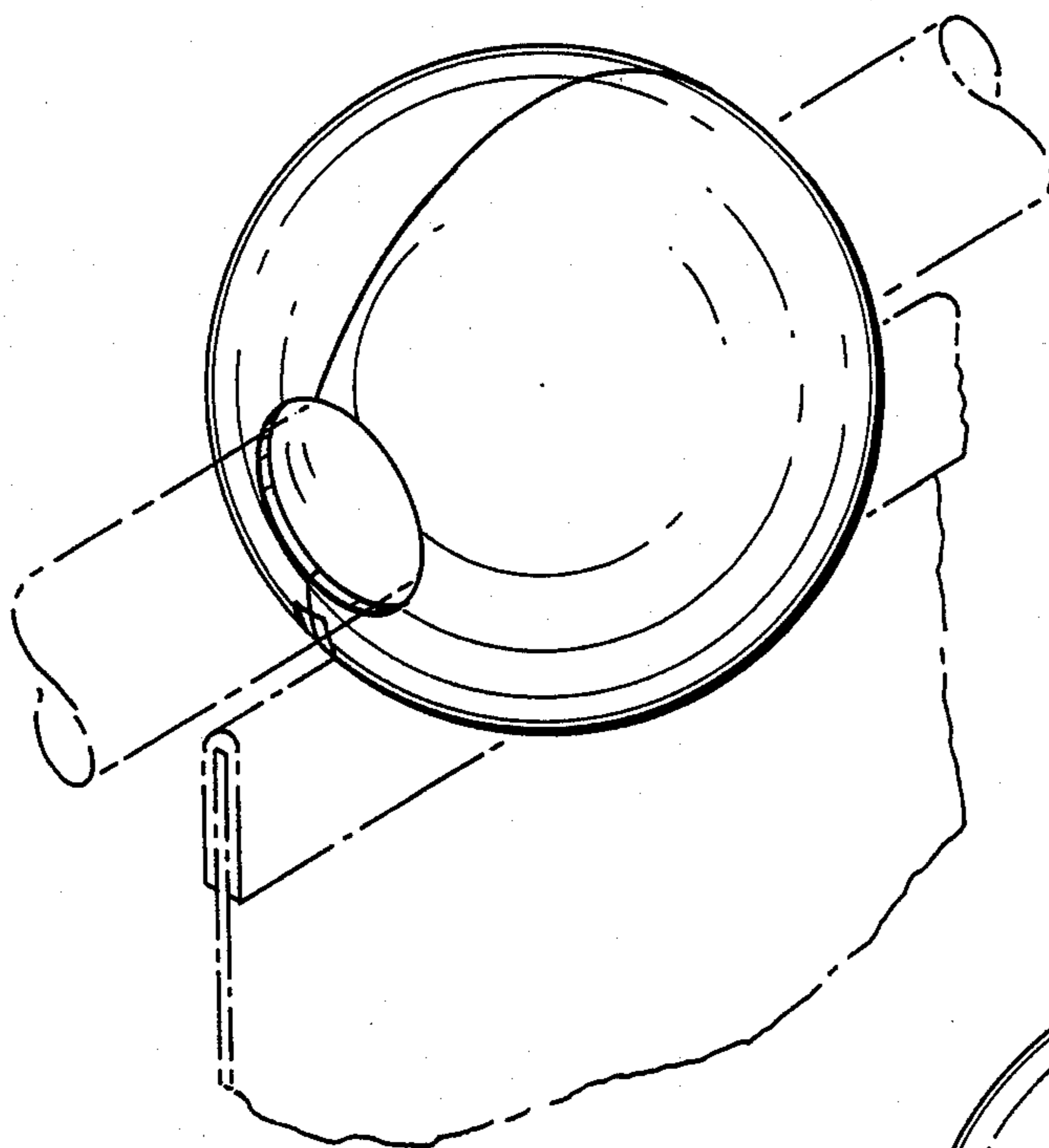


FIG. 1

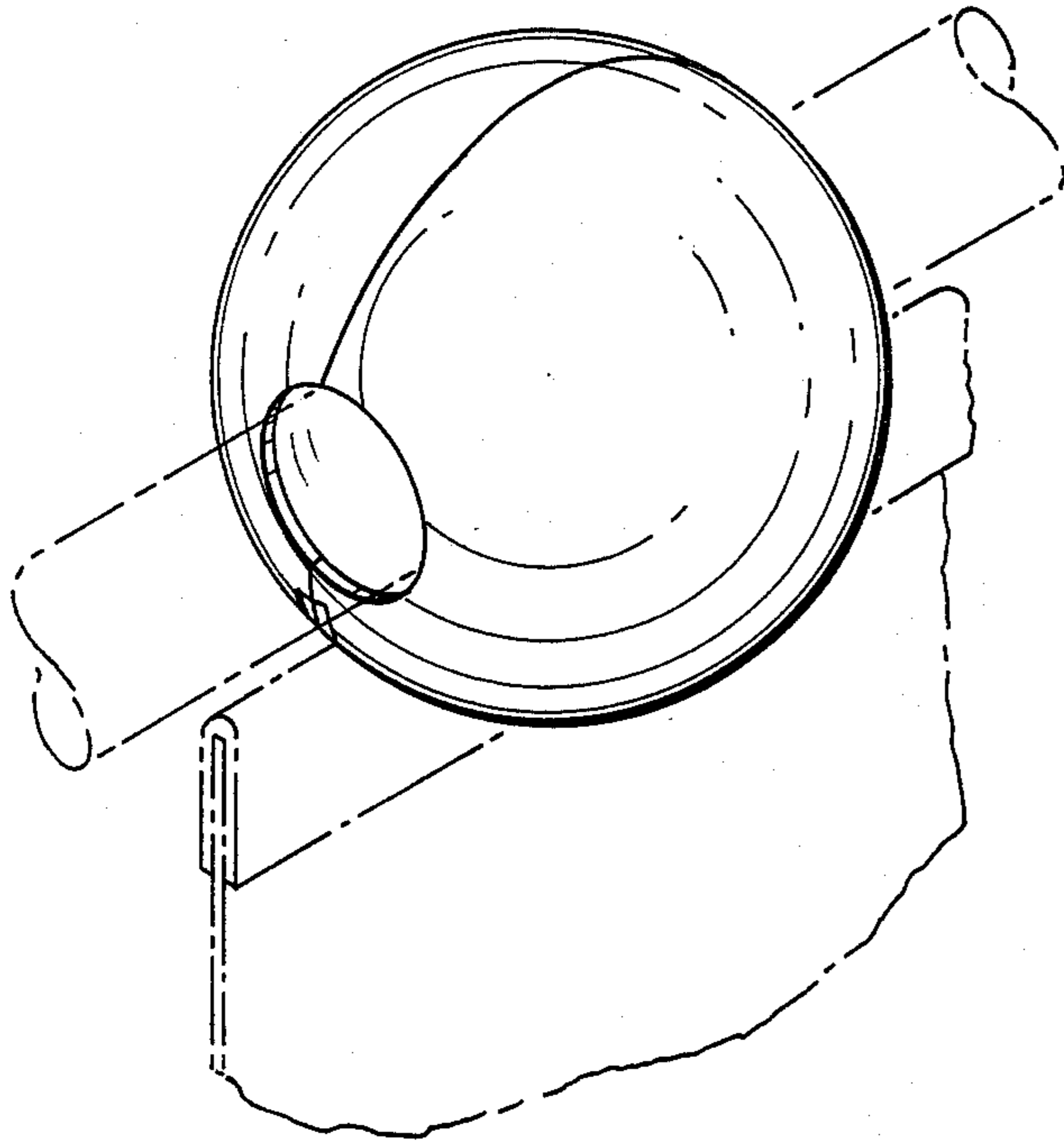


FIG. 3

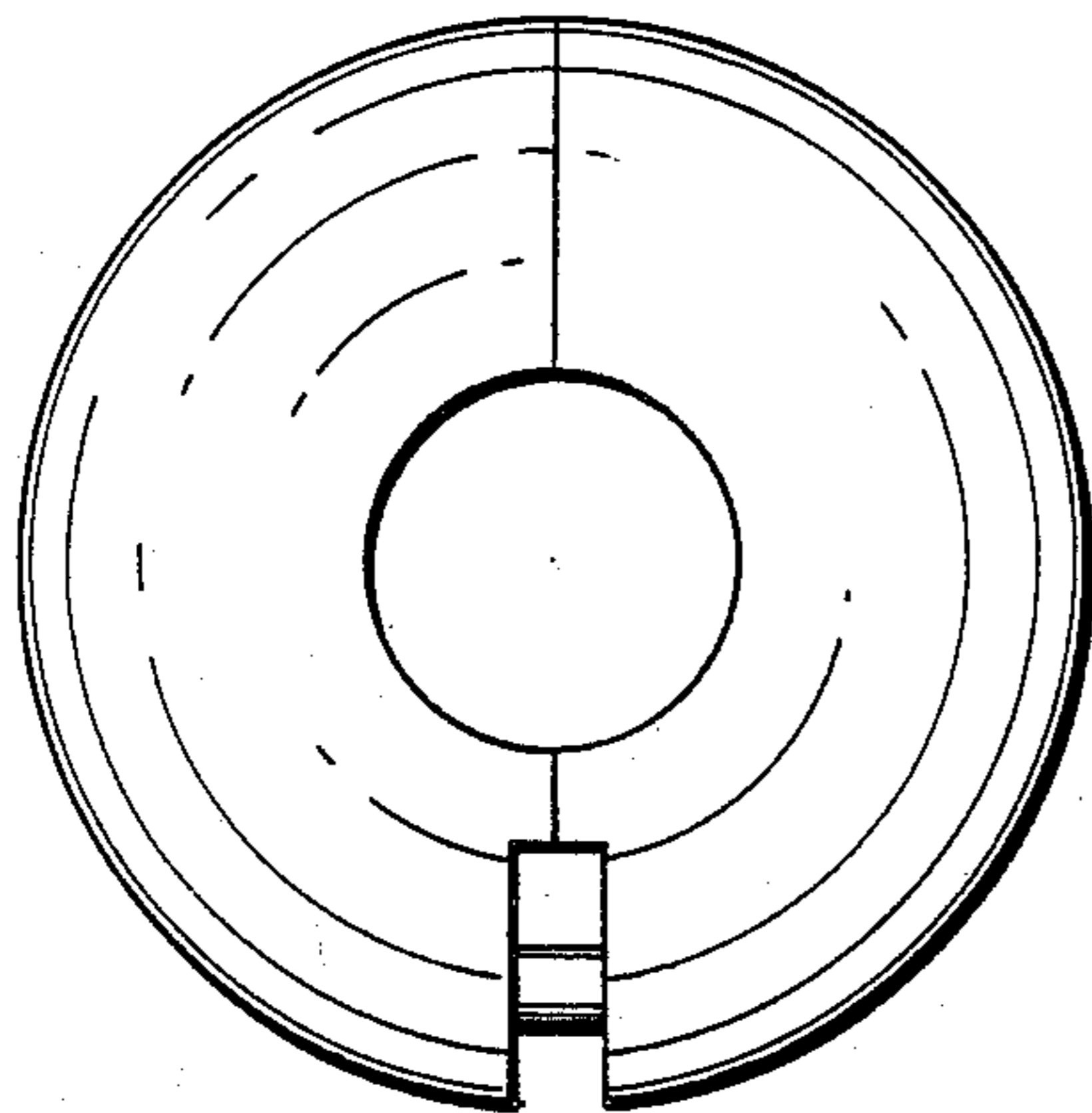
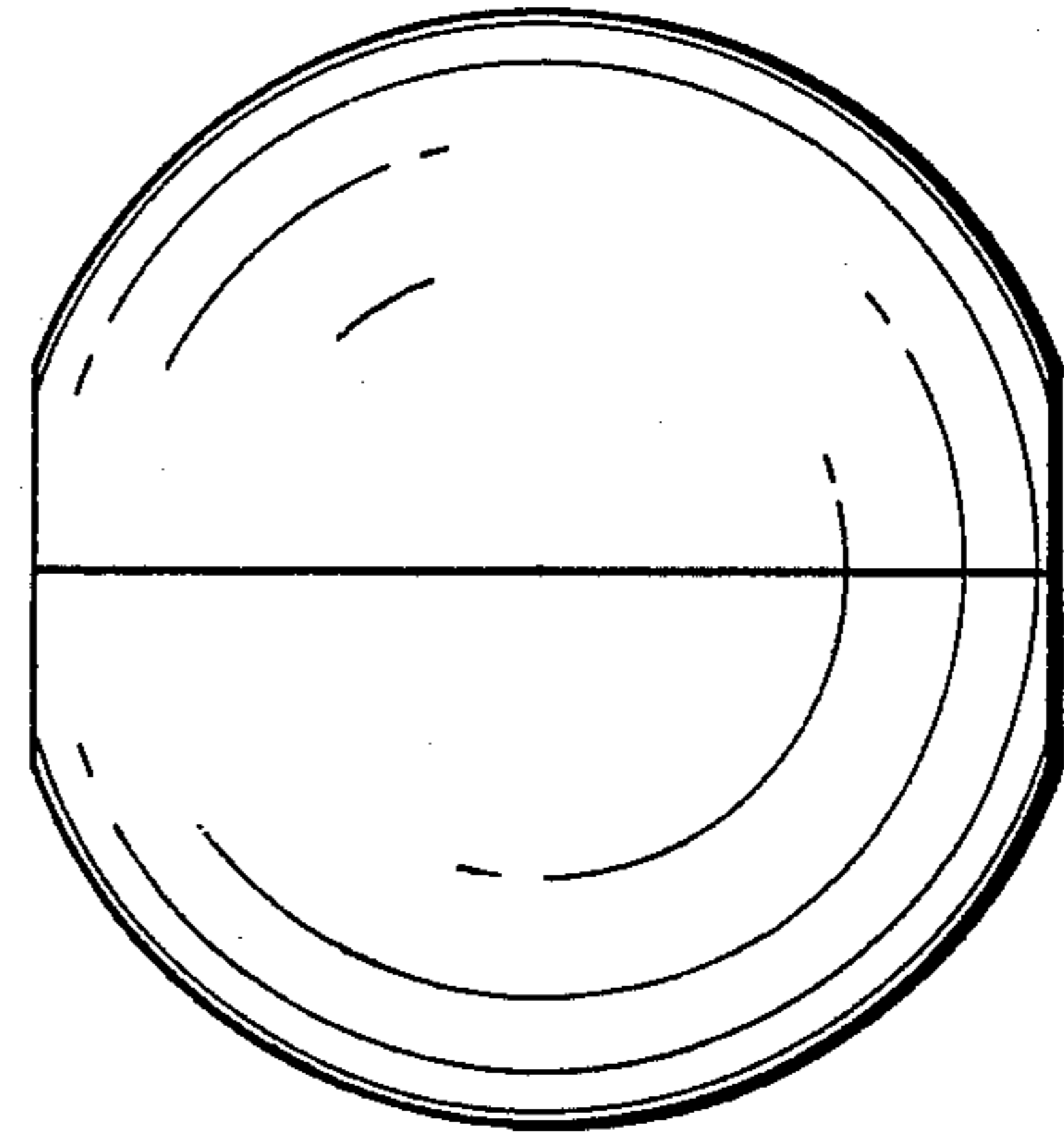


FIG. 2

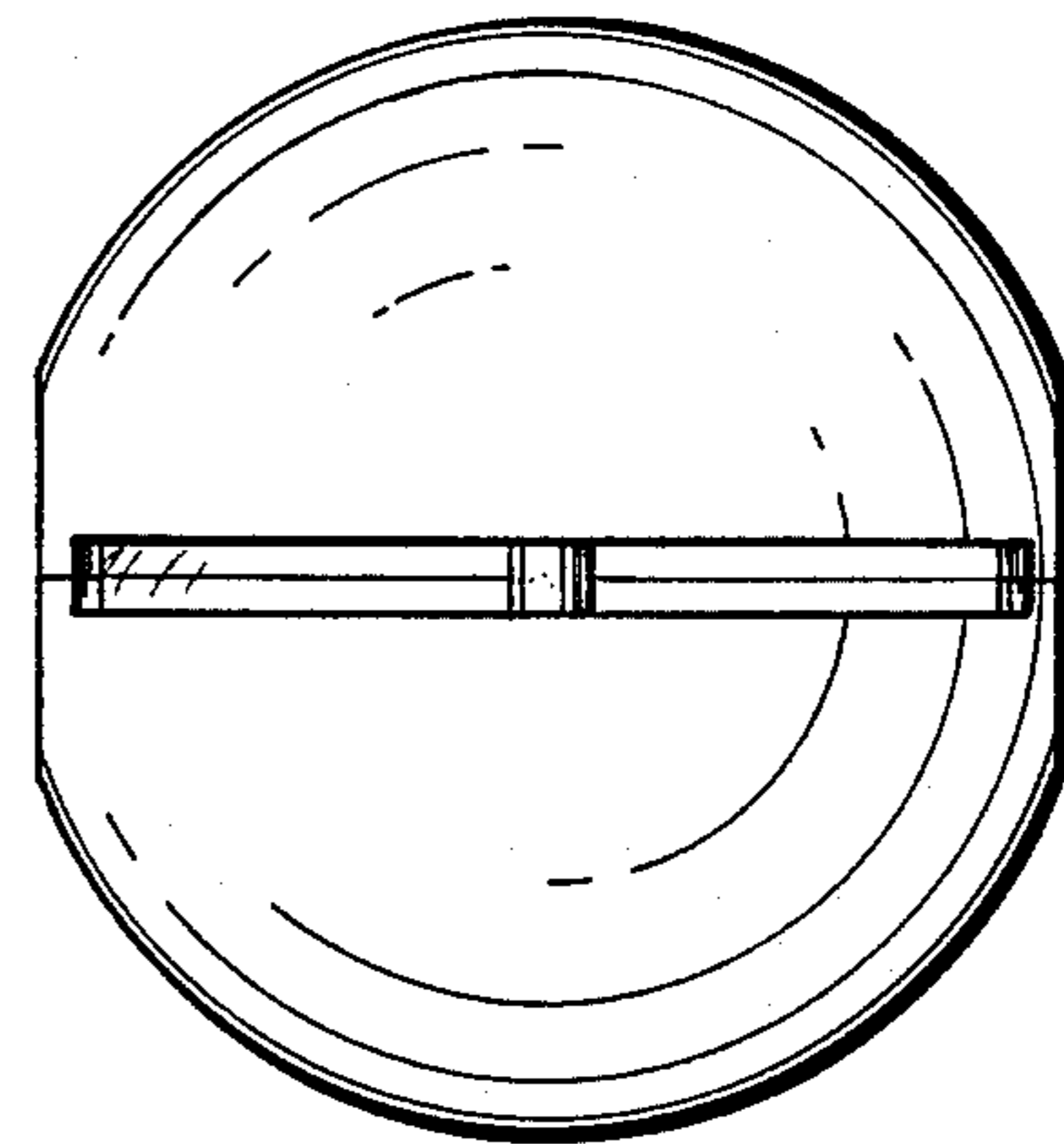


FIG. 4