

[54] BAG OR POUCH OPENER

2,688,187 9/1954 Pauli 30/289

[75] Inventors: Howard A. Hutson, 779 Kinnikinnik Hill, Mount Vernon, Golden, Colo. 80401; Thomas A. McCasland, Evergreen, Colo.

[73] Assignee: Howard Hutson, Golden, Colo.

[**] Term: 14 Years

[21] Appl. No.: 763,020

[22] Filed: Aug. 6, 1985

[52] U.S. Cl. D8/98; D8/41

[58] Field of Search D8/14, 98-101, D8/41; 30/278, 289, 124, 296 R, 191, 194, 262

[56] References Cited

U.S. PATENT DOCUMENTS

D. 217,706	6/1970	Miller	D8/98
D. 234,490	3/1975	Barlow	D8/98
D. 265,963	8/1982	Murdock et al.	D8/98
2,535,555	12/1950	Tilly	30/289

OTHER PUBLICATIONS

Package insert for "Slit-A-Pak" bag opener.
Packaging card for "Zip-It-Open" bag opener.

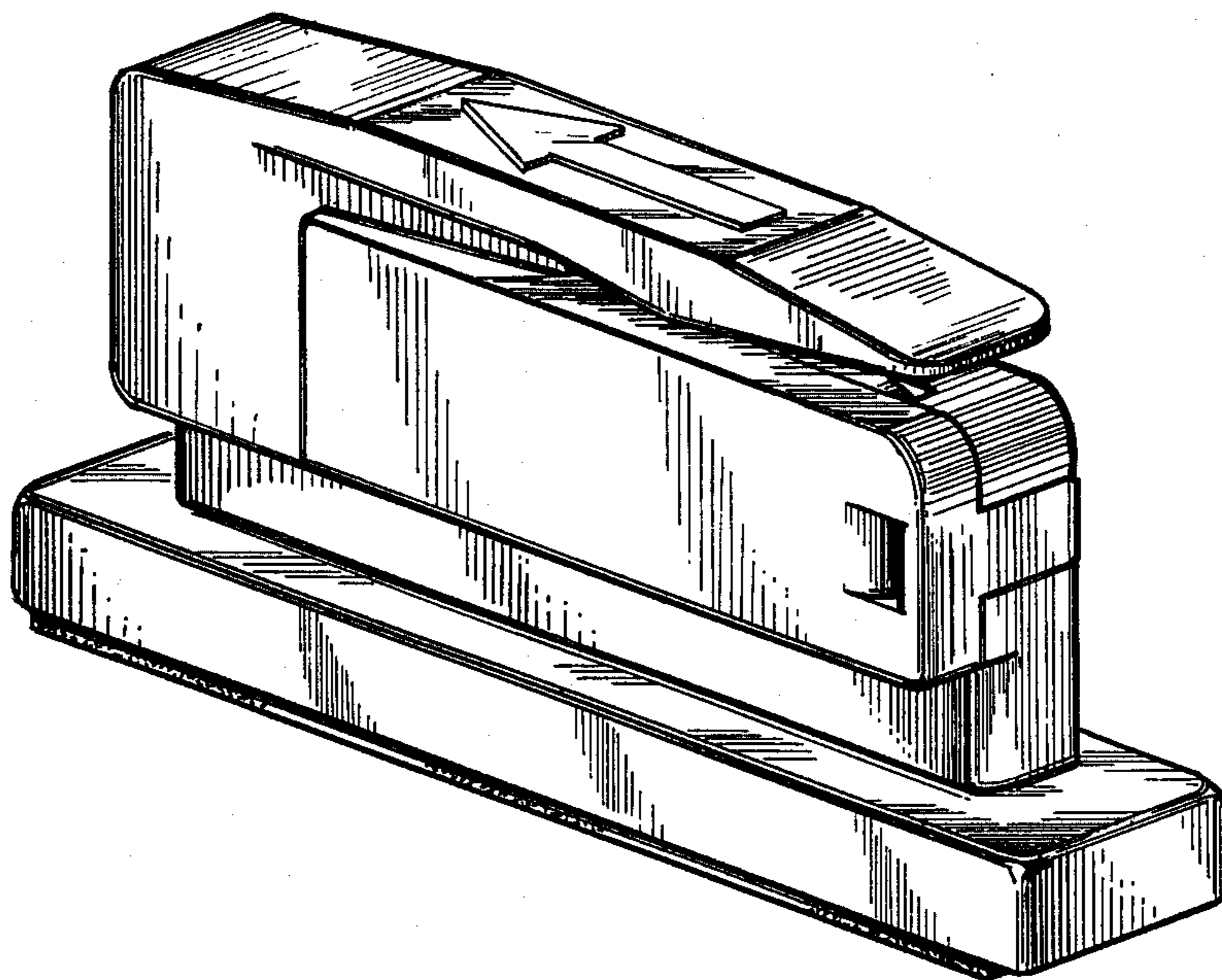
Primary Examiner—Wallace R. Burke
Assistant Examiner—Clare E. Heflin
Attorney, Agent, or Firm—Sheridan, Ross & McIntosh

[57] CLAIM

The ornamental design for a bag or pouch opener, as shown and described.

DESCRIPTION

FIG. 1 is a perspective view of a bag or pouch opener showing our new design;
FIG. 2 is a reduced front elevational view thereof;
FIG. 3 is a reduced right side elevational view thereof;
FIG. 4 is a reduced rear elevational view thereof;
FIG. 5 is a reduced left side elevational view thereof;
FIG. 6 is a reduced top plan view thereof;
FIG. 7 is a reduced bottom plan view thereof; and
FIG. 8 is a rear perspective view thereof.



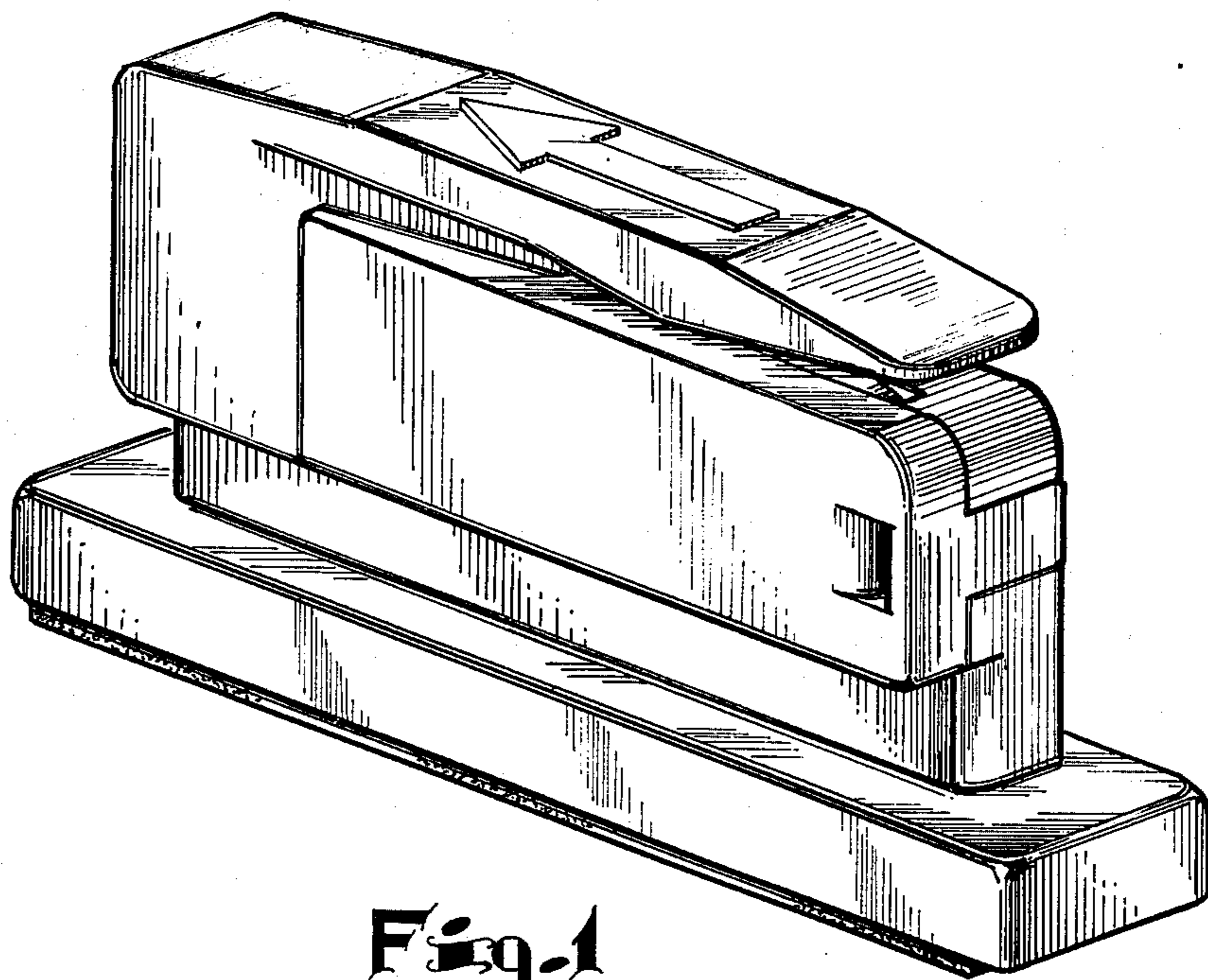


Fig. 1

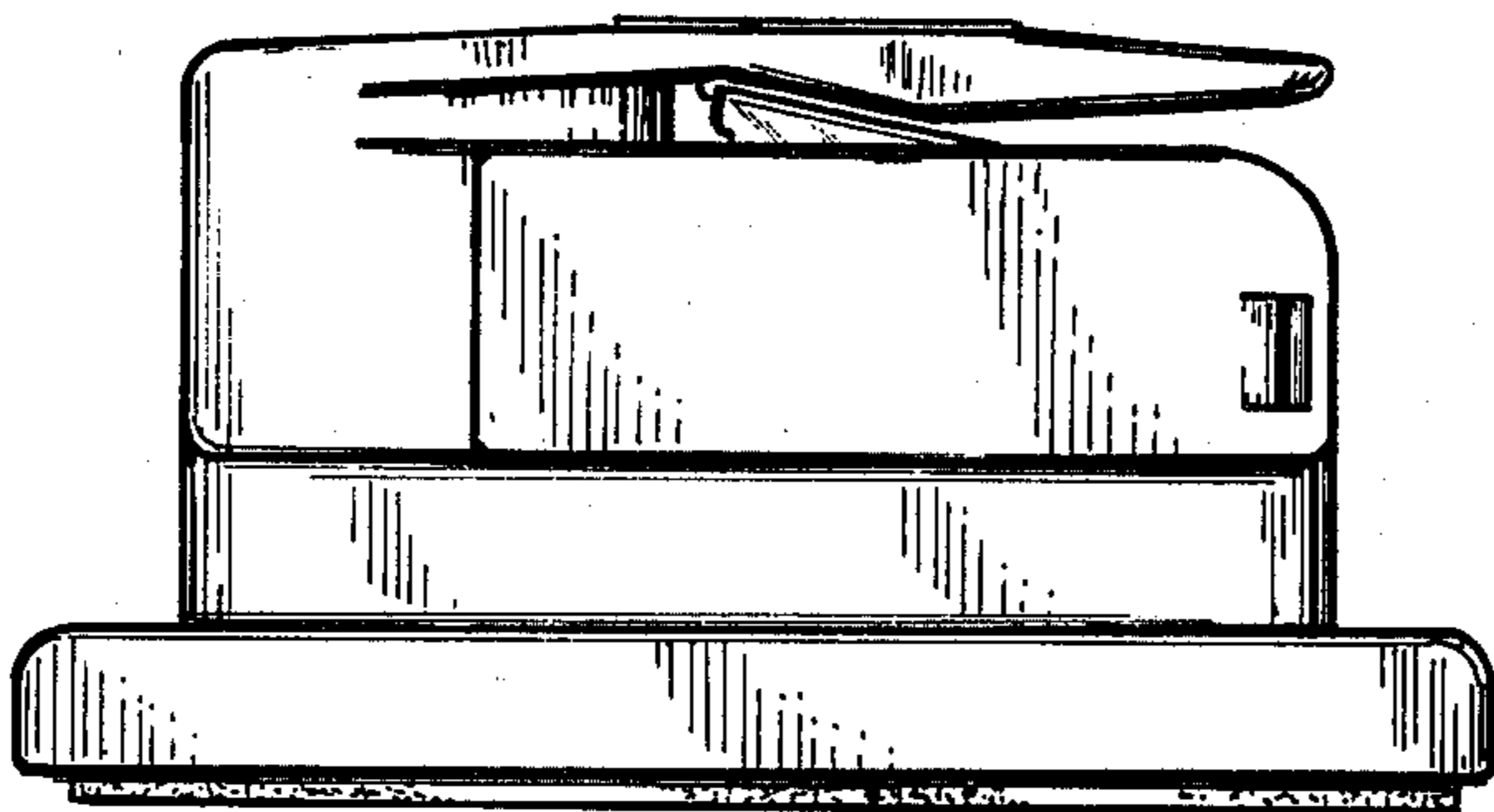


Fig. 2

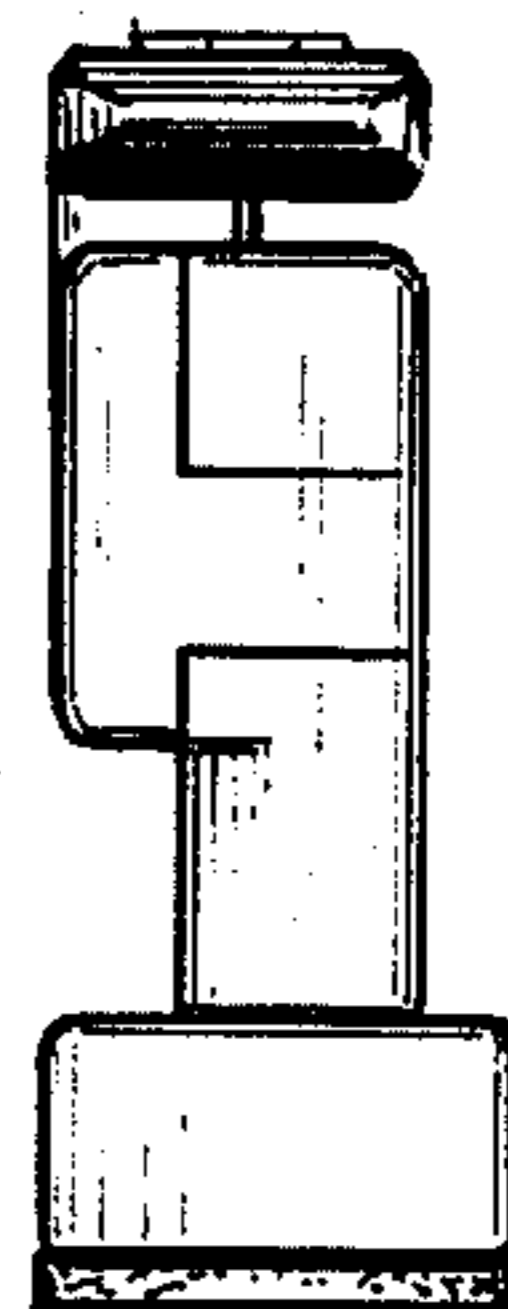


Fig. 3

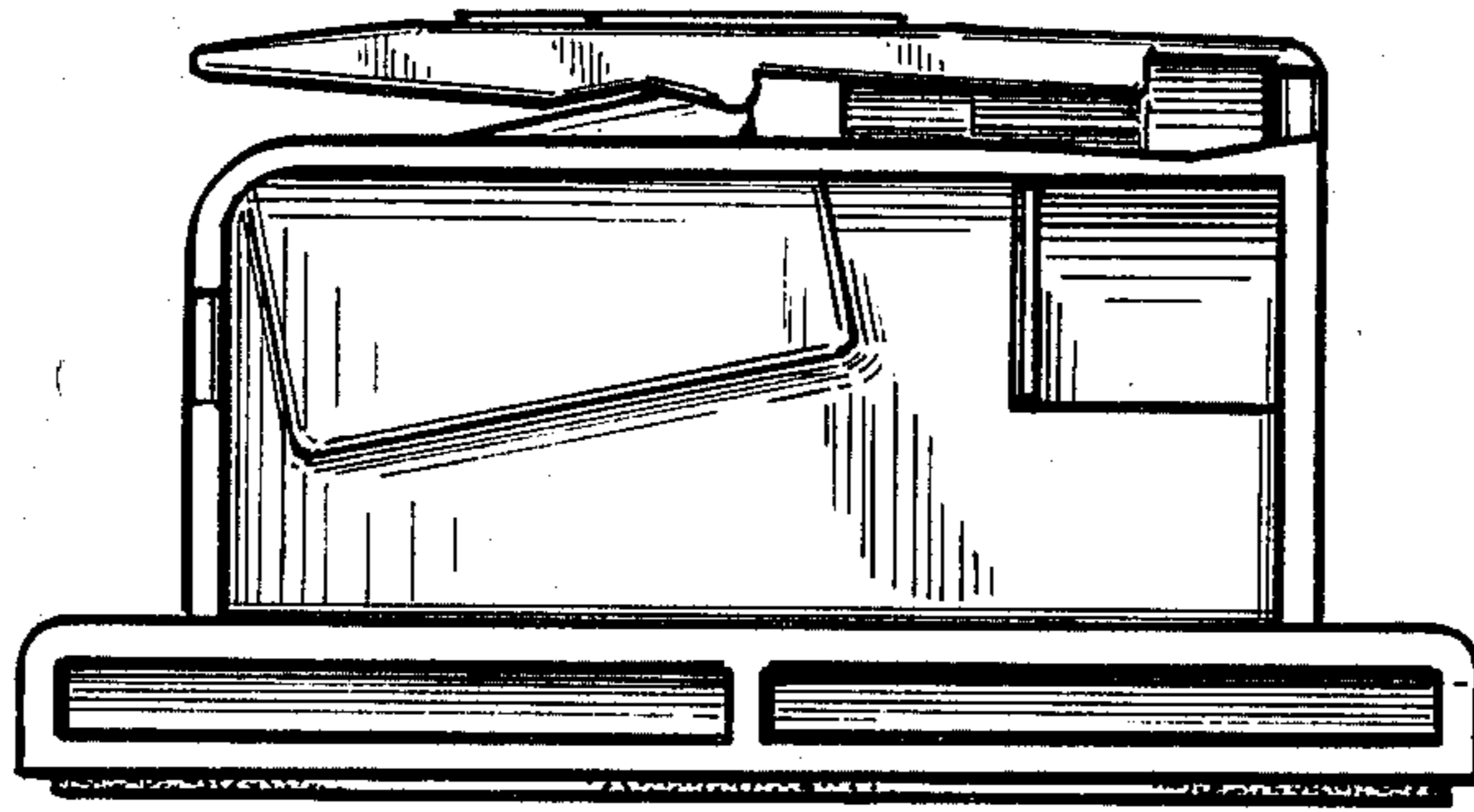


Fig. 4

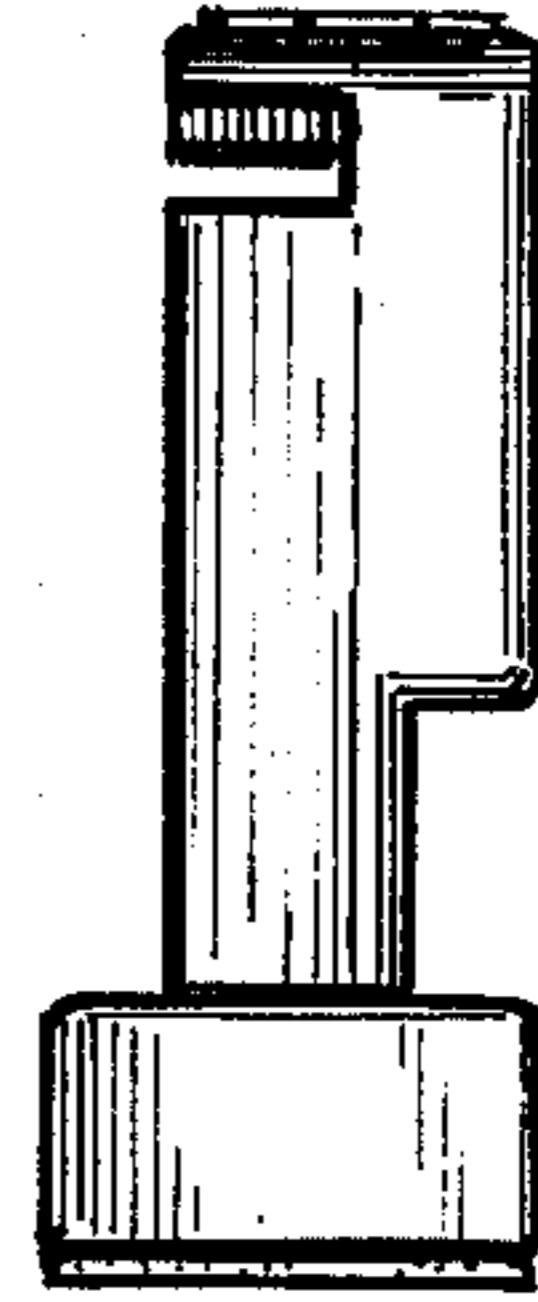


Fig. 5

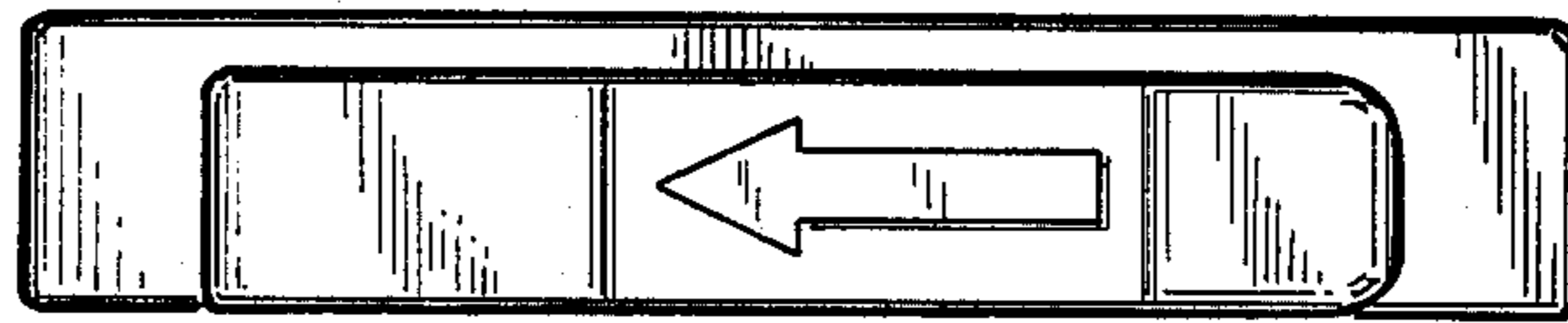


Fig. 6

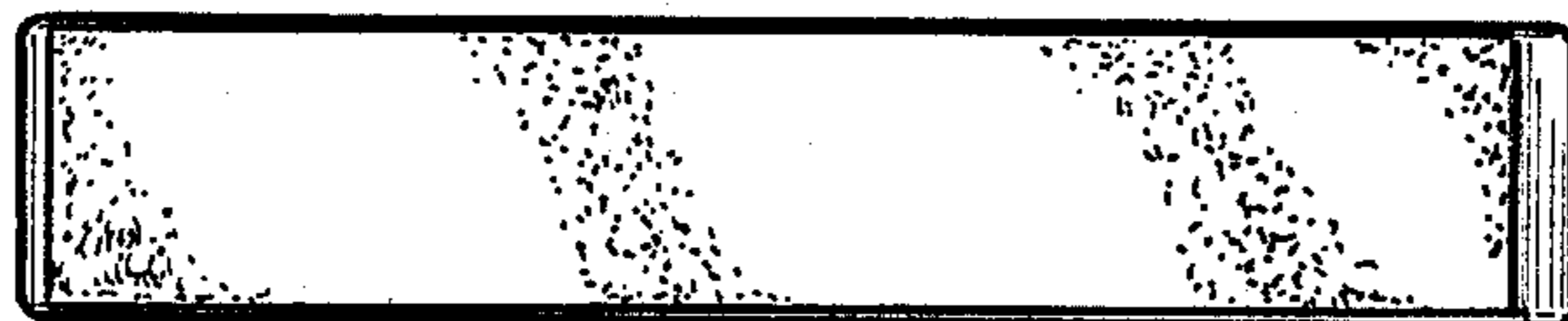


Fig. 7

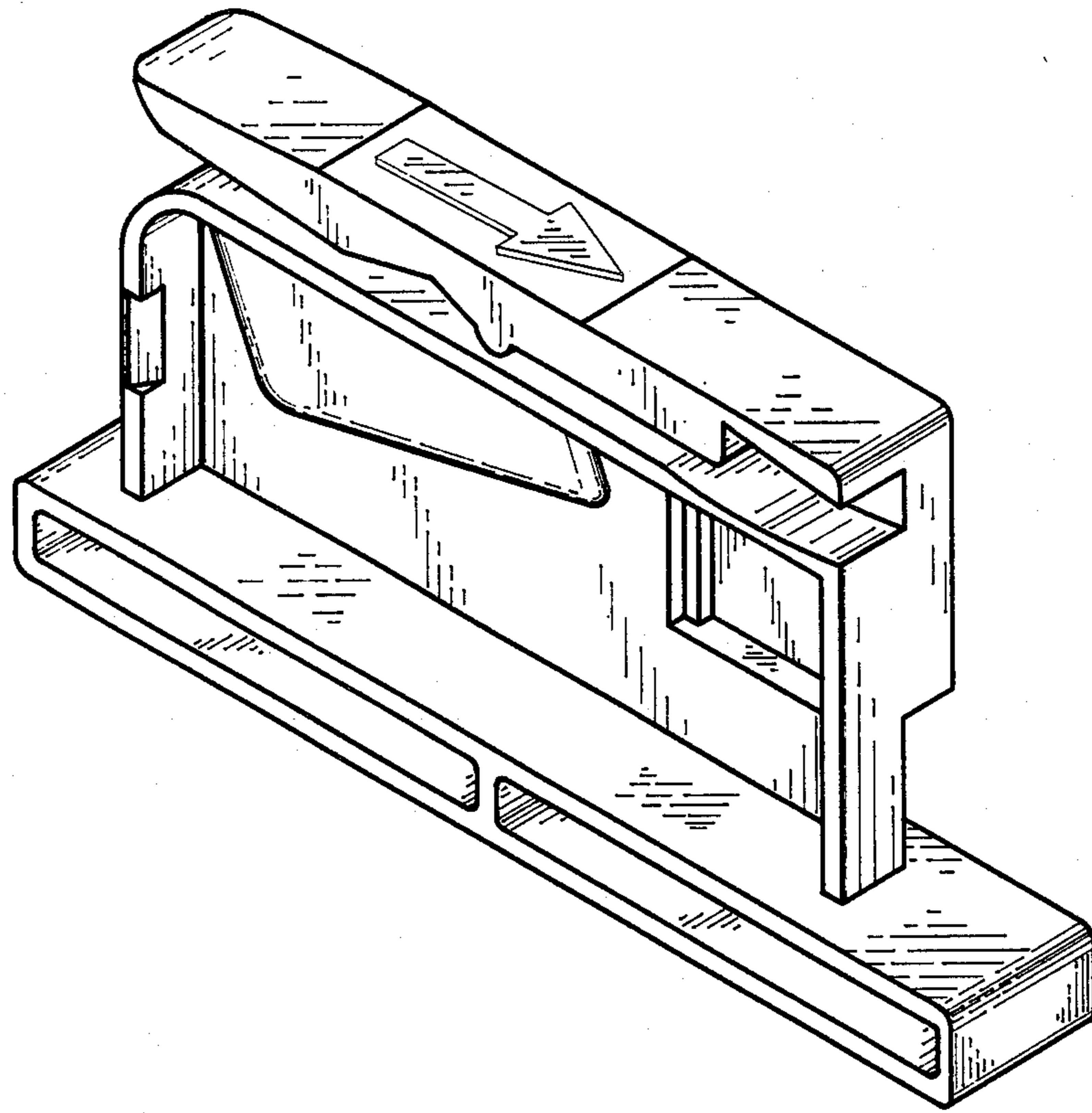


FIG.8