

[54] ELECTRIC HAND TOOL

[75] Inventors: Paul R. Kilmer, Leroy, Mich.; David S. Chapin, Raleigh, N.C.

[73] Assignee: Cooper Industries, Inc., Houston, Tex.

[\*\*] Term: 14 Years

[21] Appl. No.: 703,982

[22] Filed: Feb. 21, 1985

[52] U.S. Cl. .... D8/68

[58] Field of Search ..... D8/61-70; 173/163, 170; 81/54, 57.11; 408/124

[56] References Cited

U.S. PATENT DOCUMENTS

D. 222,029 9/1971 McElroy ..... D8/68

D. 239,917 5/1976 Baker et al. .... D8/68

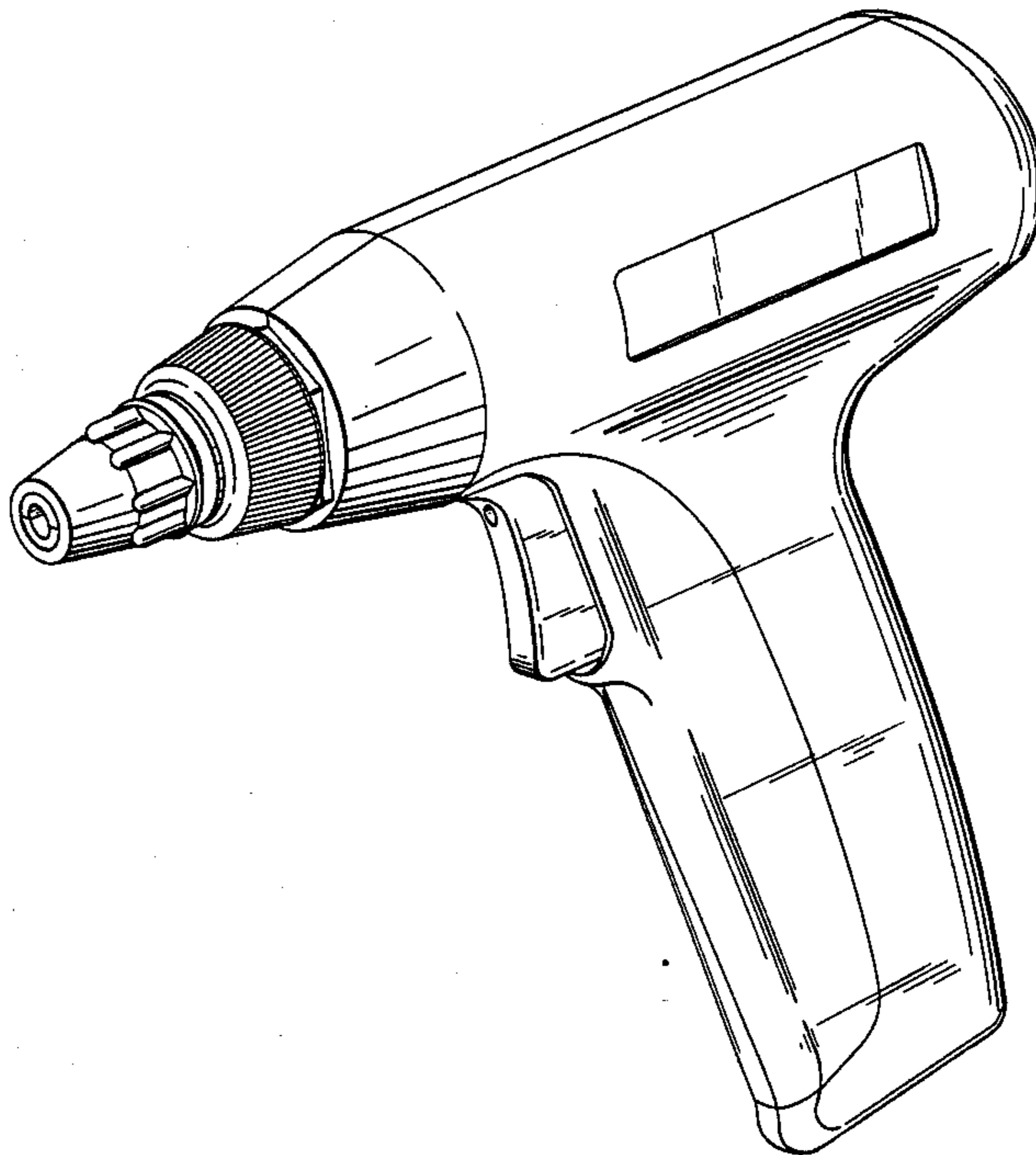
Primary Examiner—Catherine E. Kemper  
Attorney, Agent, or Firm—Finnegan, Henderson,  
Farabow, Garrett & Dunner

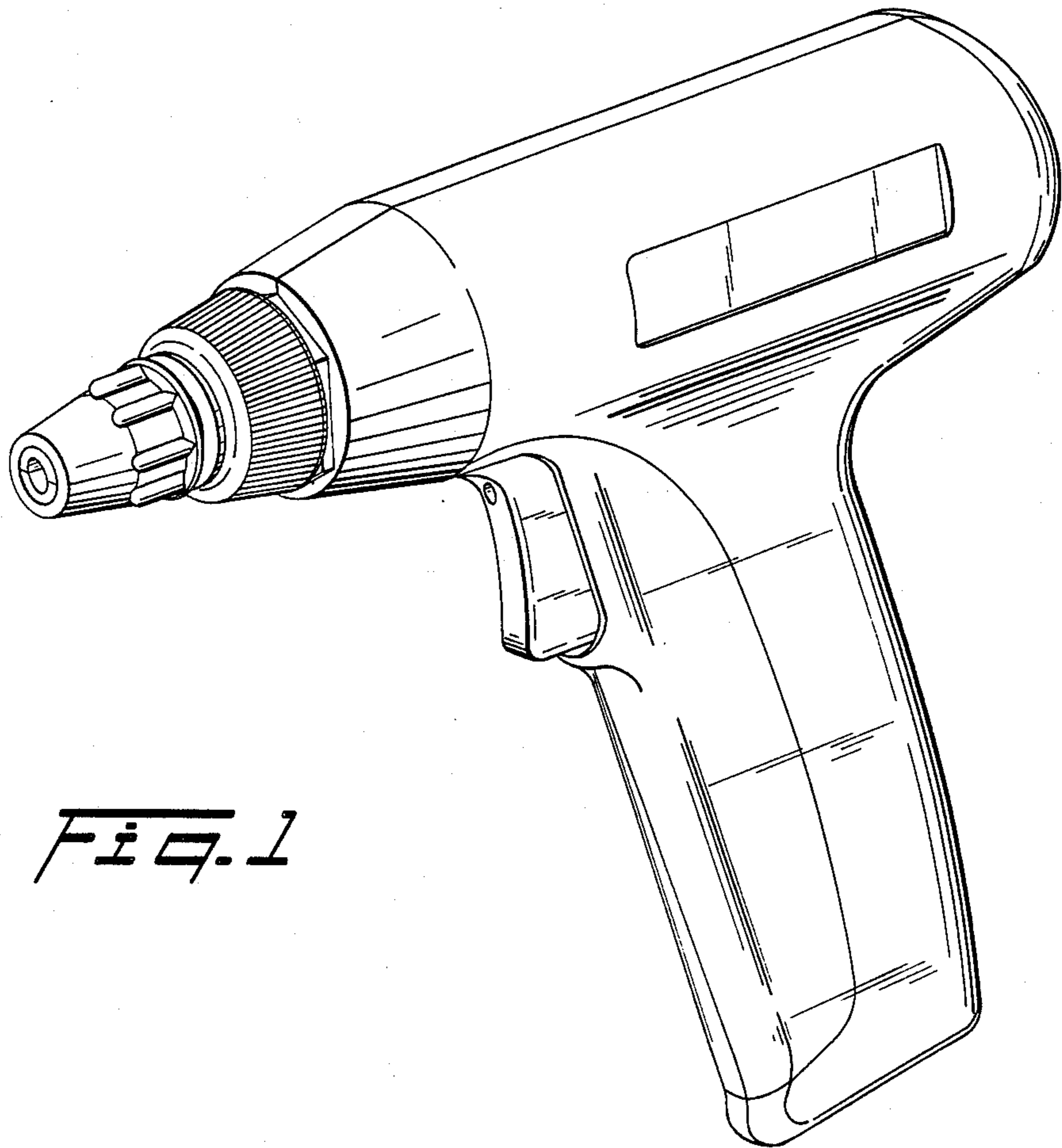
[57] CLAIM

The ornamental design for an electric hand tool, as shown and described.

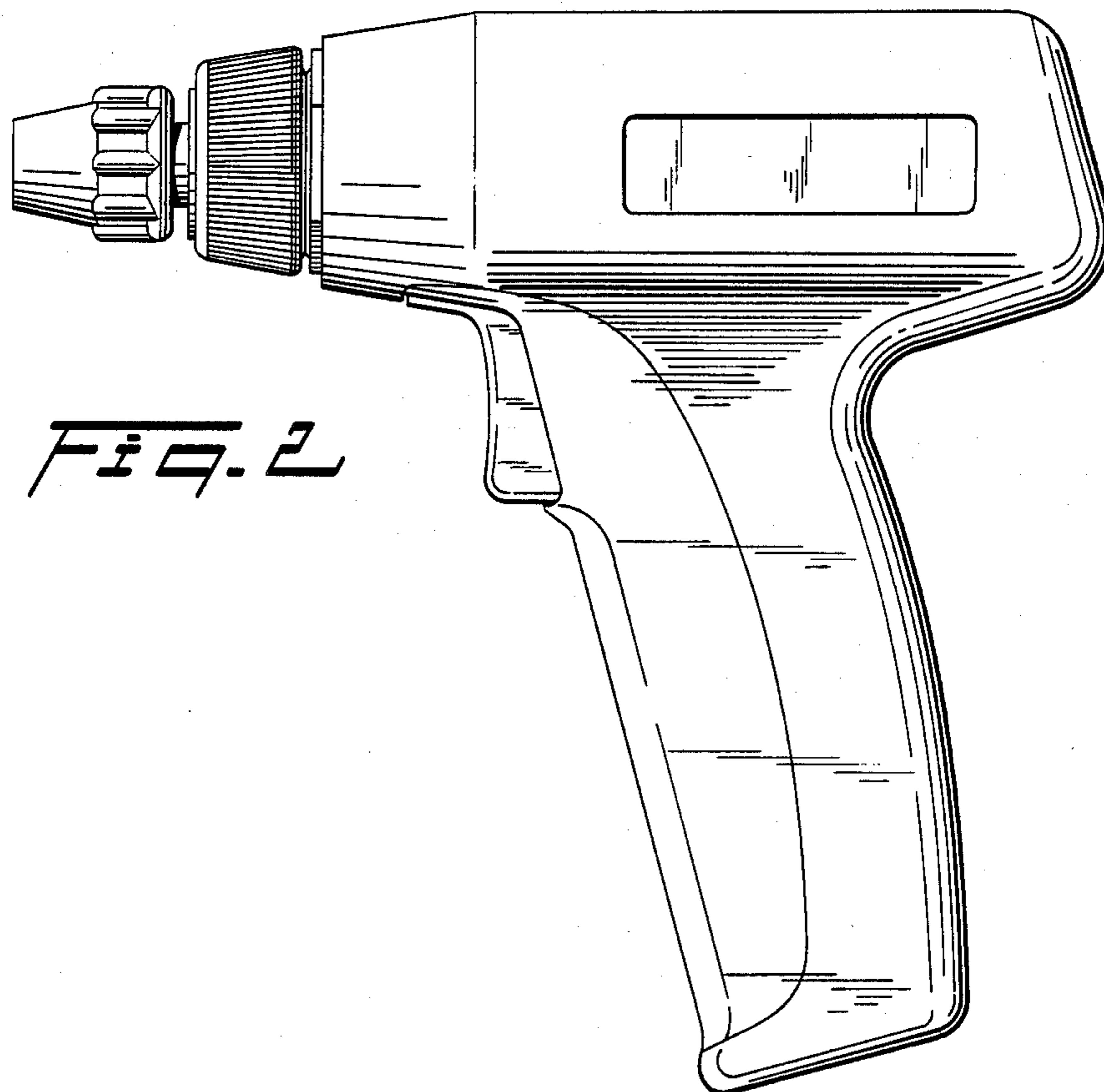
DESCRIPTION

FIG. 1 is a left-front perspective view of the electrical hand tool showing our new design;  
FIG. 2 is a left side elevational view thereof;  
FIG. 3 is a right side elevational view thereof;  
FIG. 4 is a front elevational view thereof;  
FIG. 5 is a rear elevational view thereof;  
FIG. 6 is a bottom view thereof;  
FIG. 7 is a top plan view thereof.

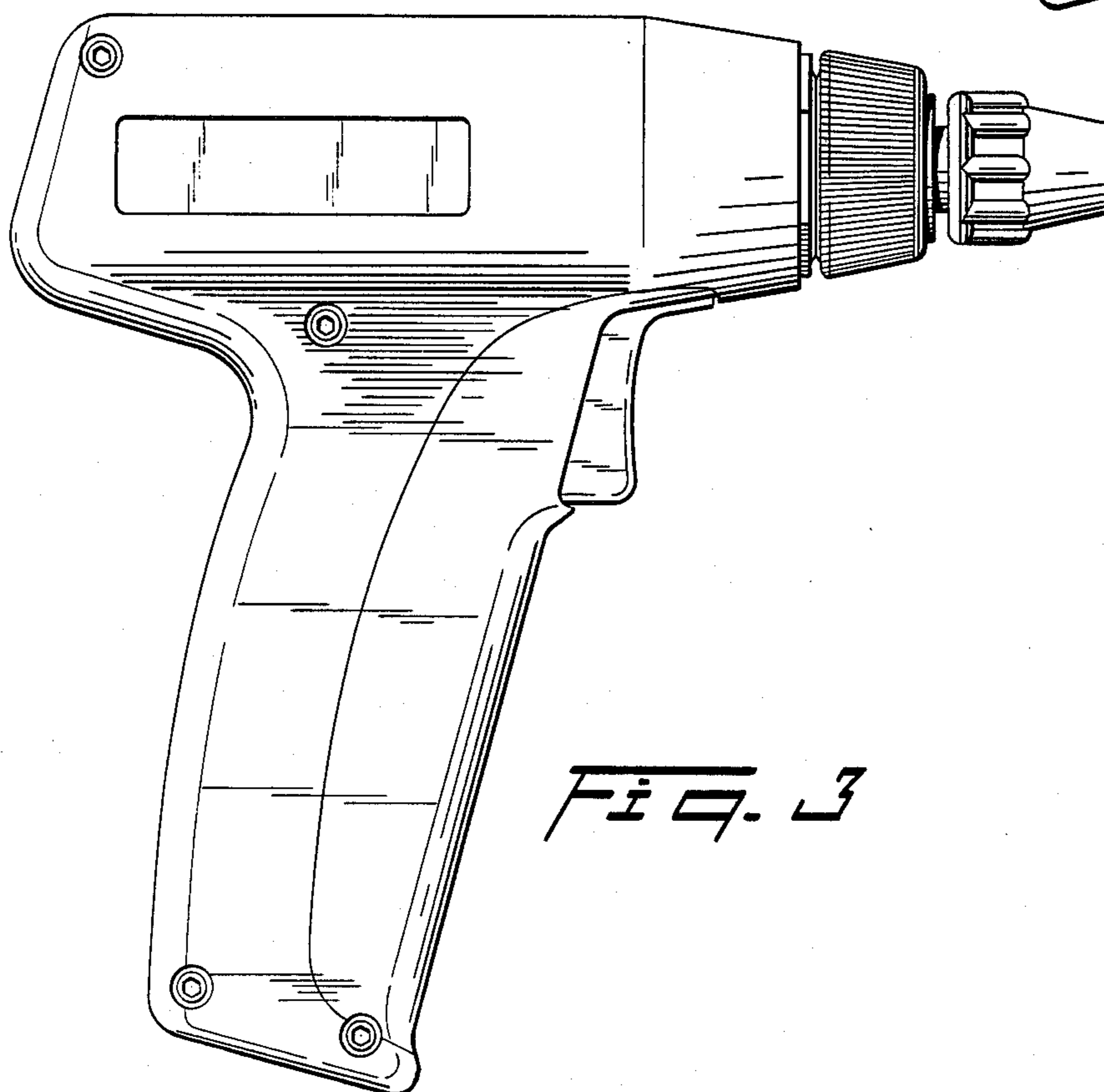




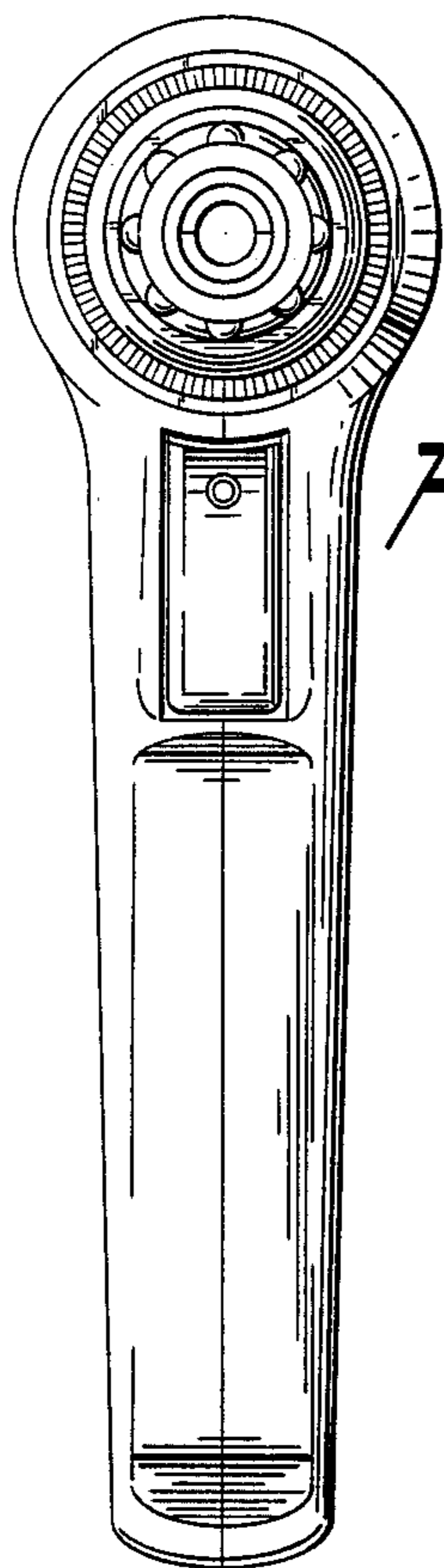
*Fig. 1*



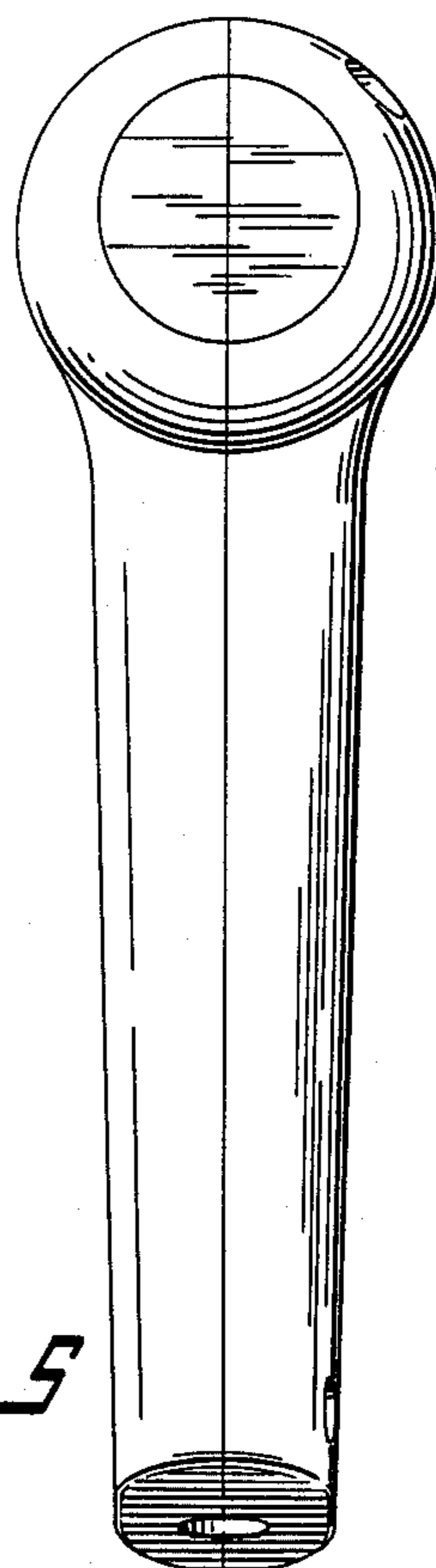
*Fig. 2*



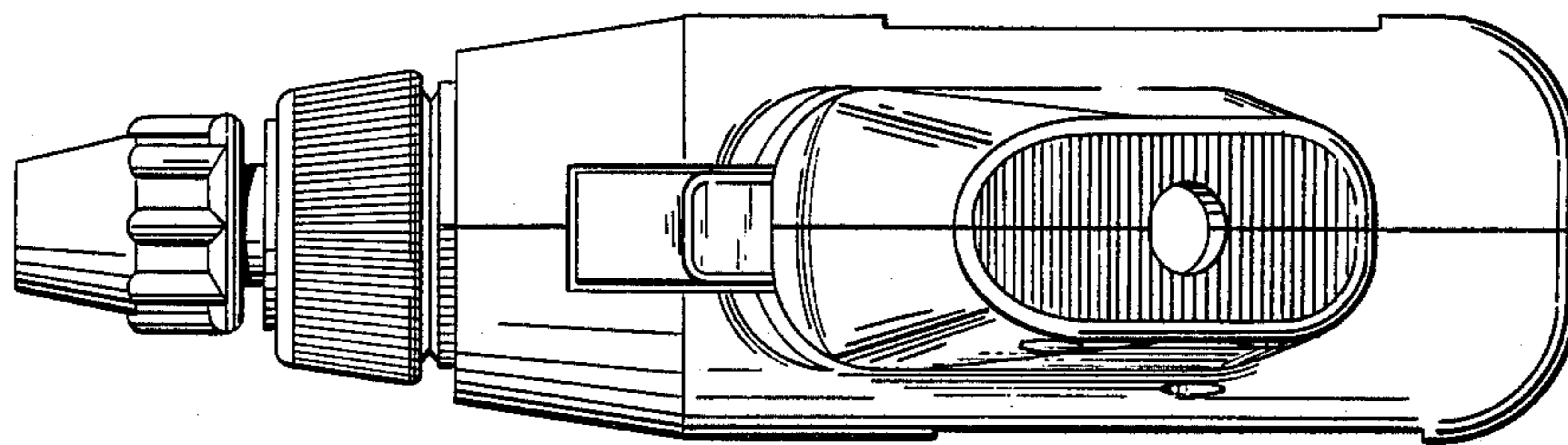
*Fig. 3*



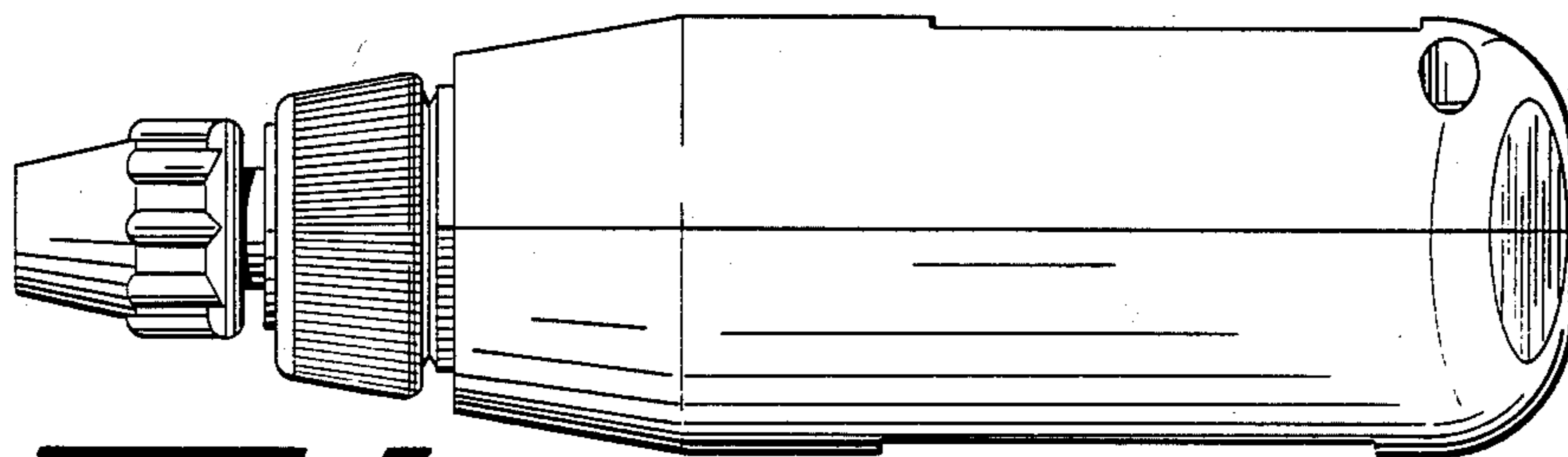
*Fig. 4*



*Fig. 5*



*Fig. 6*



*Fig. 7*