

[54] GRIPPING TONGS FOR HANDICAPPED PERSONS

[75] Inventors: William F. Burke; John E. Gayton, both of Grand Junction, Colo.

[73] Assignee: Maddak, Inc., Pequannock, N.J.

[**] Term: 14 Years

[21] Appl. No.: 692,966

[22] Filed: Oct. 30, 1985

[52] U.S. CL. D8/51; D8/14; D12/133

[58] Field of Search D8/14, 51, 52, 107; D12/133; 294/50.9, 19.1, 19 R, 11, 3; 280/289 WC; 81/53.11

[56] References Cited

U.S. PATENT DOCUMENTS

2,279,809 4/1942 Apfel 294/11
2,575,638 11/1951 Price 294/19.1

2,790,437 4/1957 Moore 294/19.1
3,591,226 7/1971 Elmore, Jr. et al. 294/19.1
3,986,743 10/1976 Bjurling et al. 294/19.1

Primary Examiner—Wallace R. Burke
Assistant Examiner—Clare E. Heflin
Attorney, Agent, or Firm—Anthony F. Cuoco

[57] CLAIM

The ornamental design for a gripping tongs for handicapped persons, as shown and described.

DESCRIPTION

FIG. 1 is a perspective view of the gripping tongs for handicapped persons showing our new design, the wheelchair being shown in broken lines for illustrative purposes only;

FIG. 2 is an enlarged end elevational view thereof;

FIG. 3 is an enlarged opposite end elevational view thereof;

FIG. 4 is a side elevational view thereof;

FIG. 5 is a bottom plan view thereof;

FIG. 6 is a top plan view thereof.

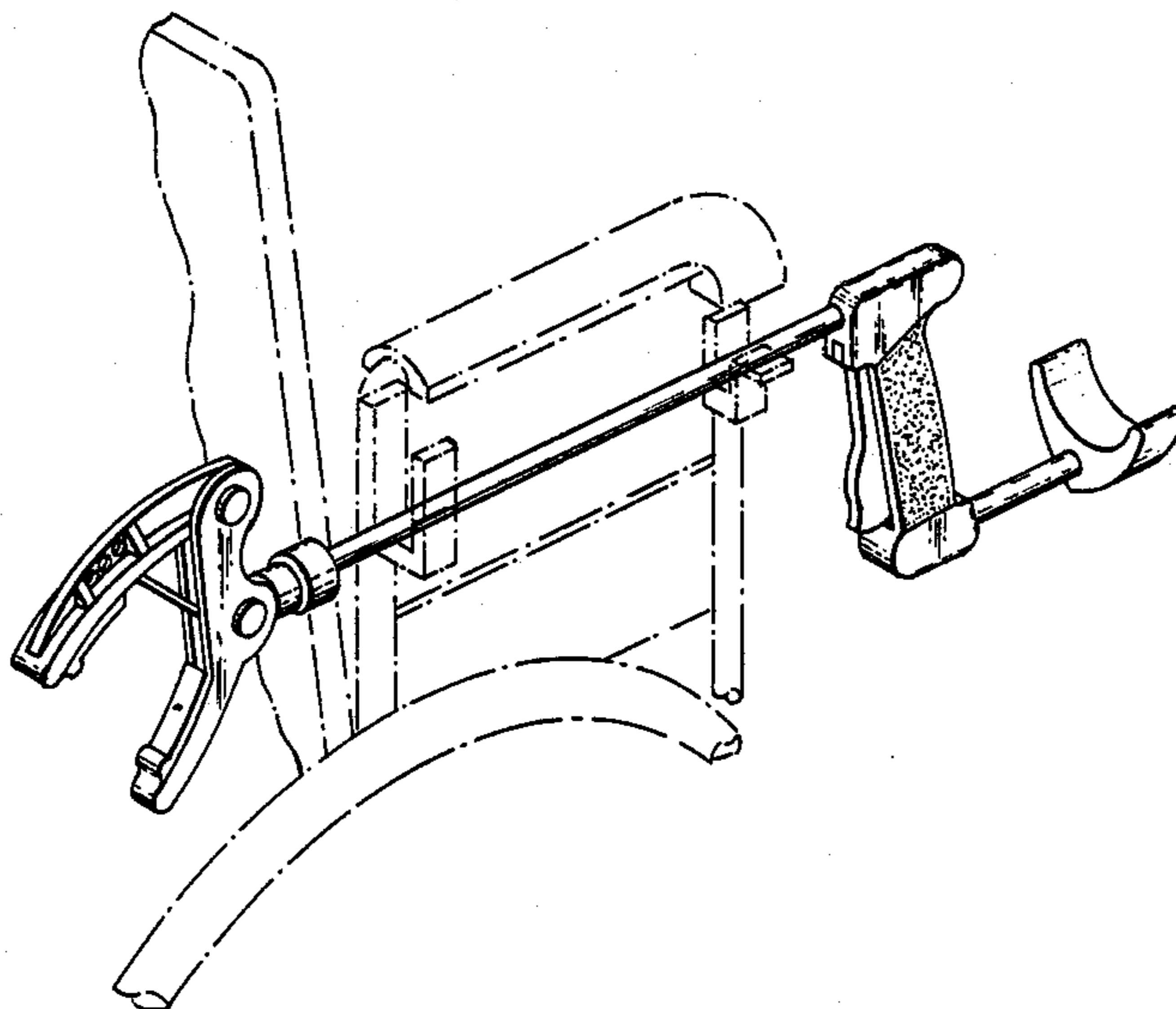


FIG. 1

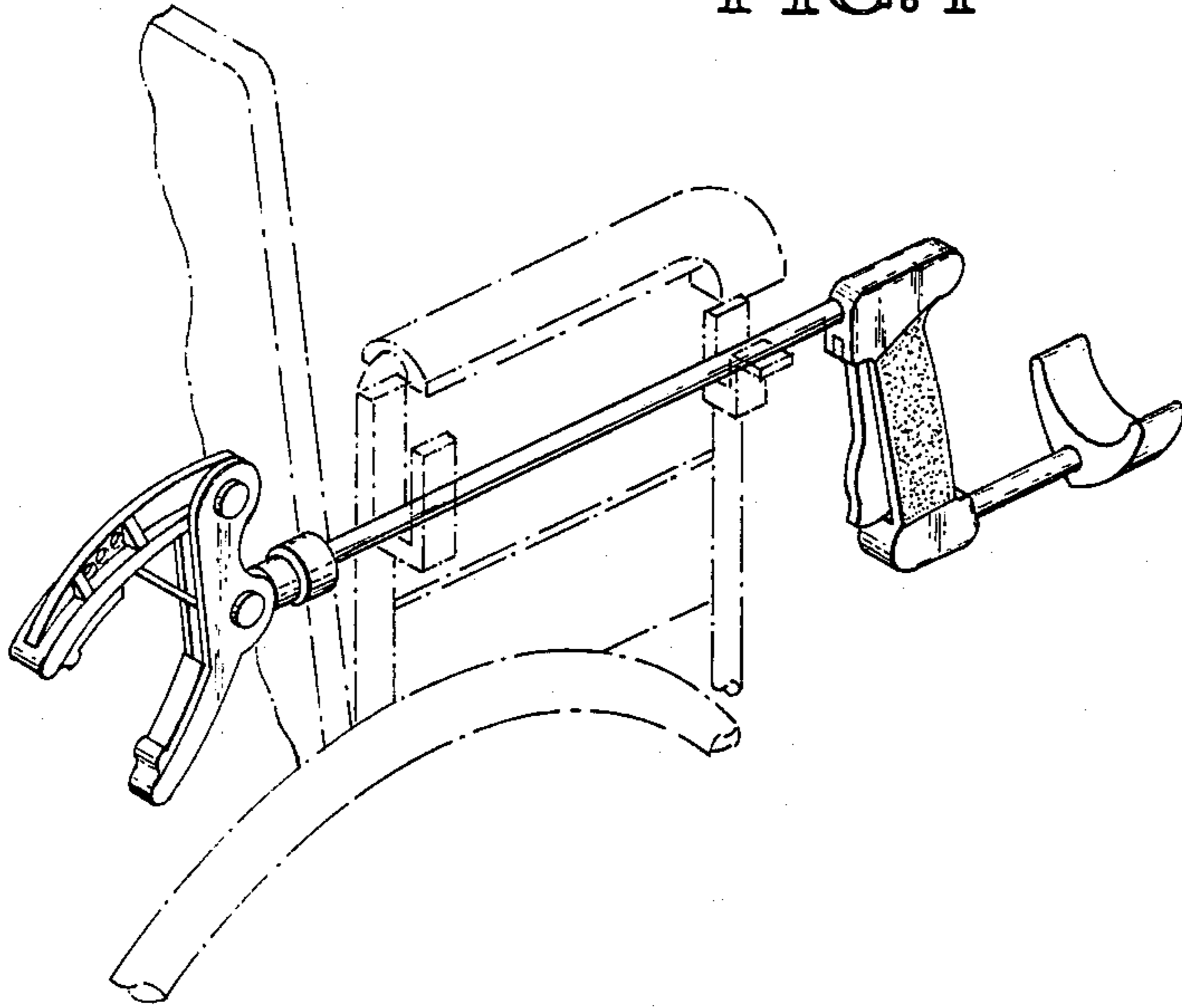


FIG. 2

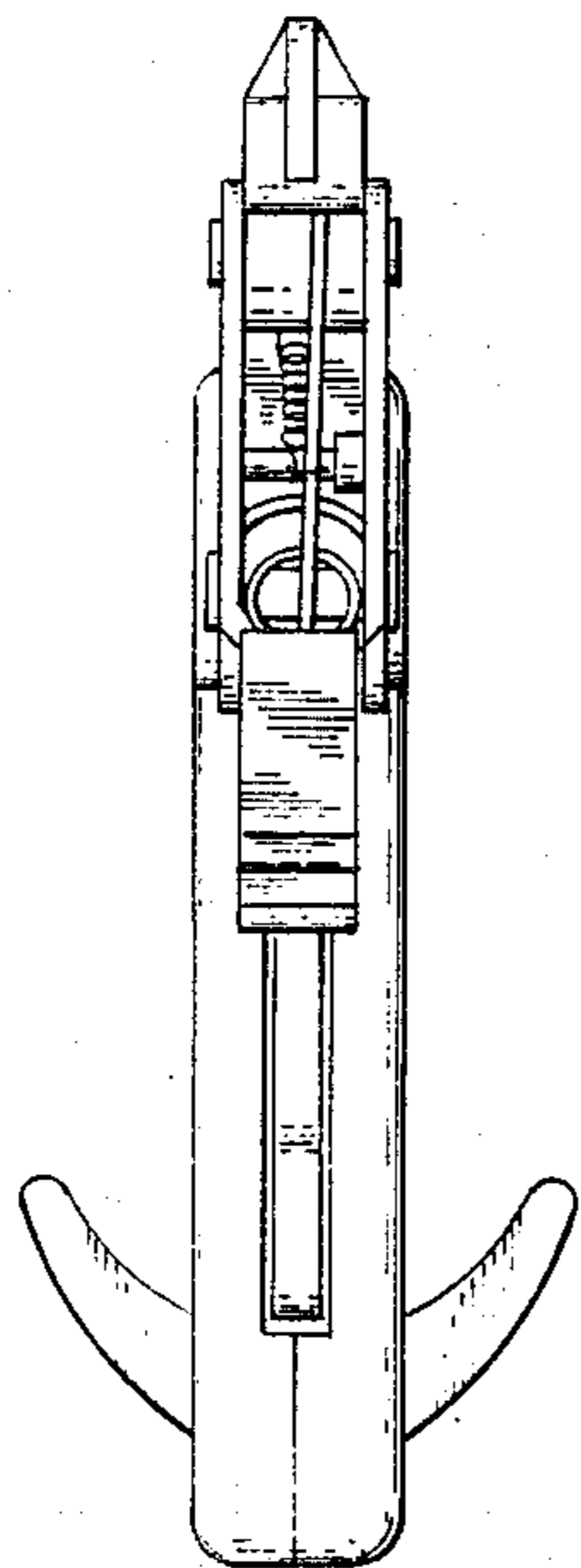
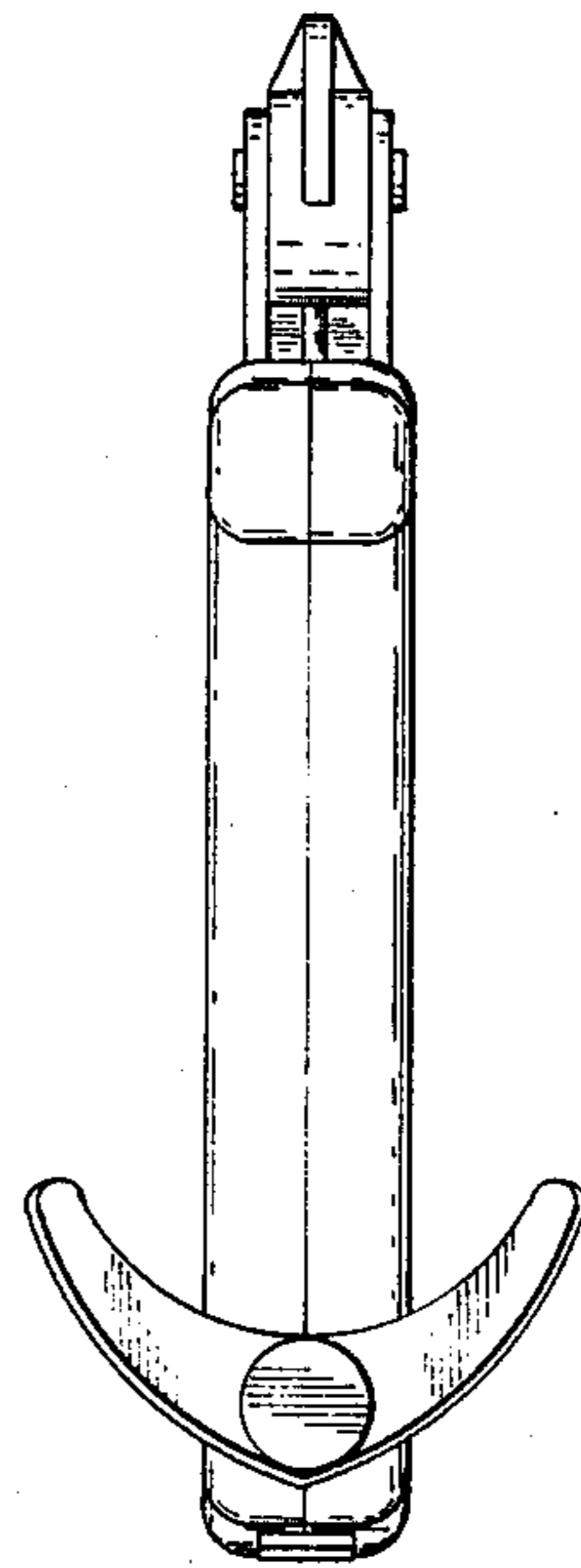


FIG. 3

FIG. 4

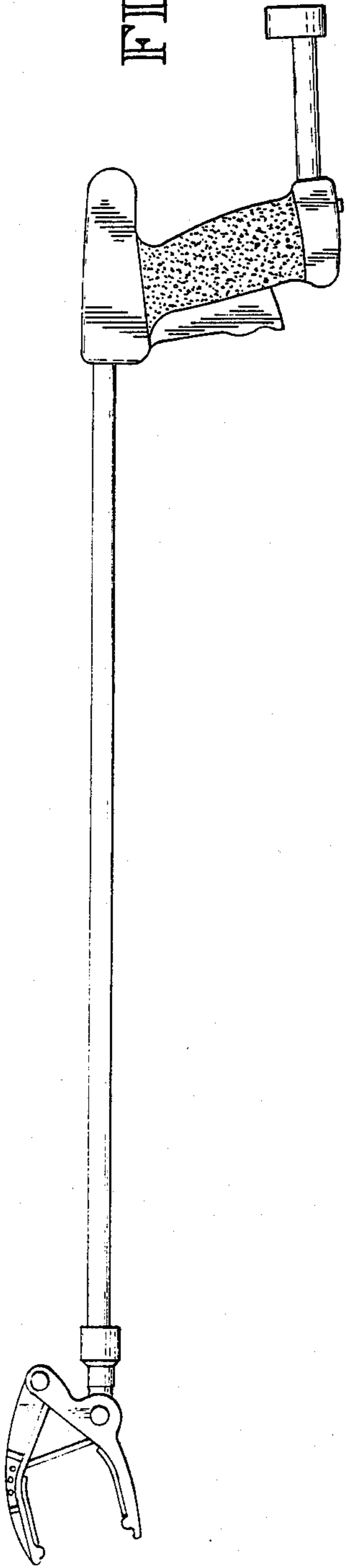


FIG. 5

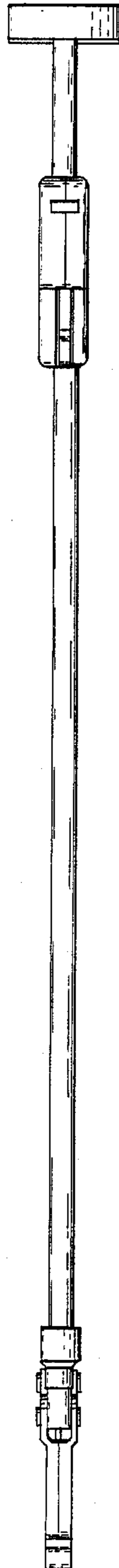


FIG. 6

